

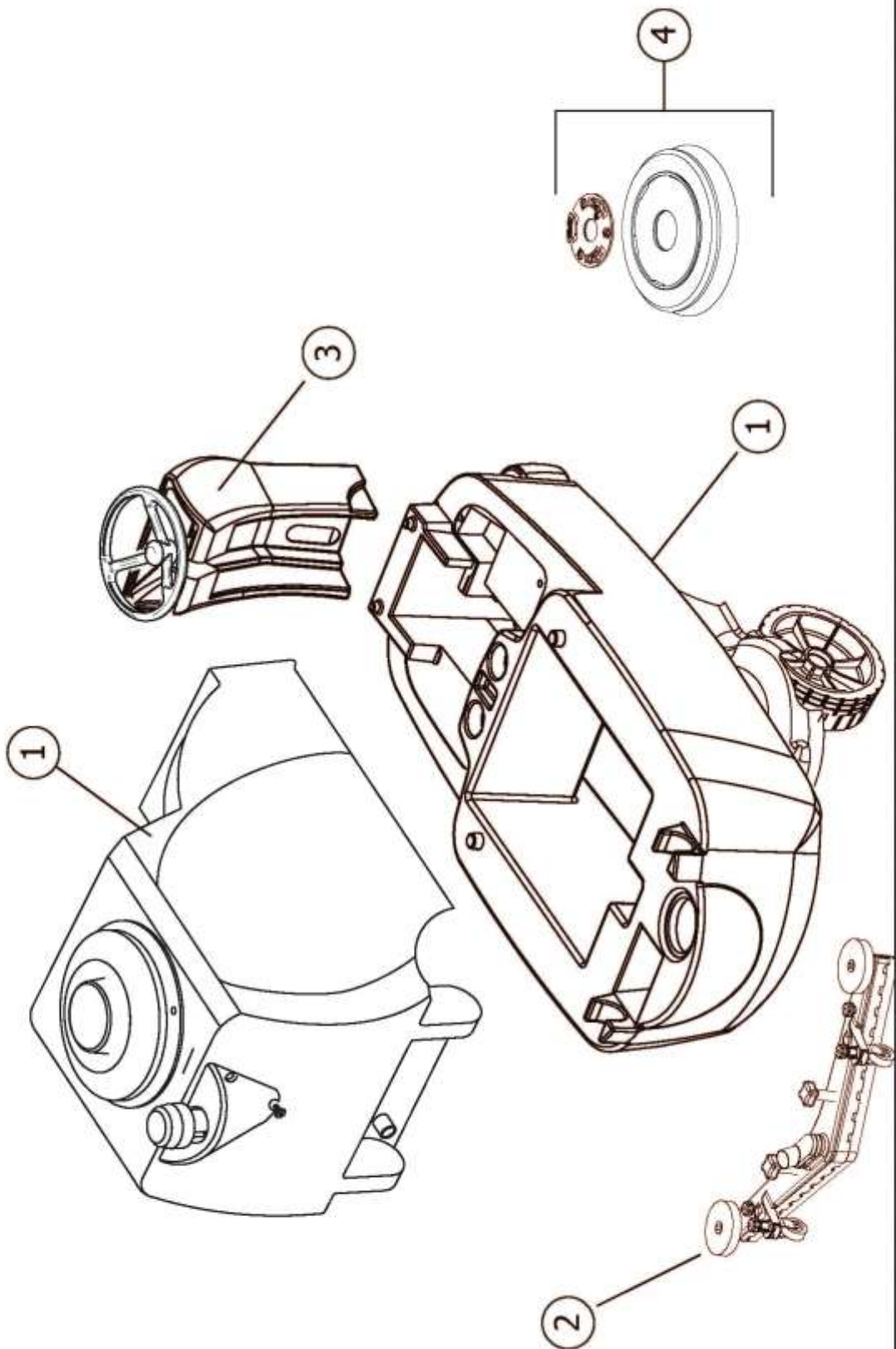
Lista de recambios: 8.577.0101 - FREGADORA KF90B

Articolo: **8.577.0101** **FREGADORA KF90B**

Tavola: **D85770001/01** Inizio Validità **11/02/2016** Fine Validità:

Componente	Descrizione	Pos.	Tipo Man.
5.509.1182	GRUPPO SERBATOI KRON S ARANCIO /GRIGIO SC 09/06	1	
5.509.1179	GRUPPO SQUEGEE KRON S2 09/06	2	
5.509.1180	STEERING GROUP KRON S	3	
5.511.1845	PPL BRUSH 457 MM. W/UNIFIED COUPLING FLANGE	4	O

D85770001/01



Lista de recambios: 8.577.0101 - FREGADORA KF90B

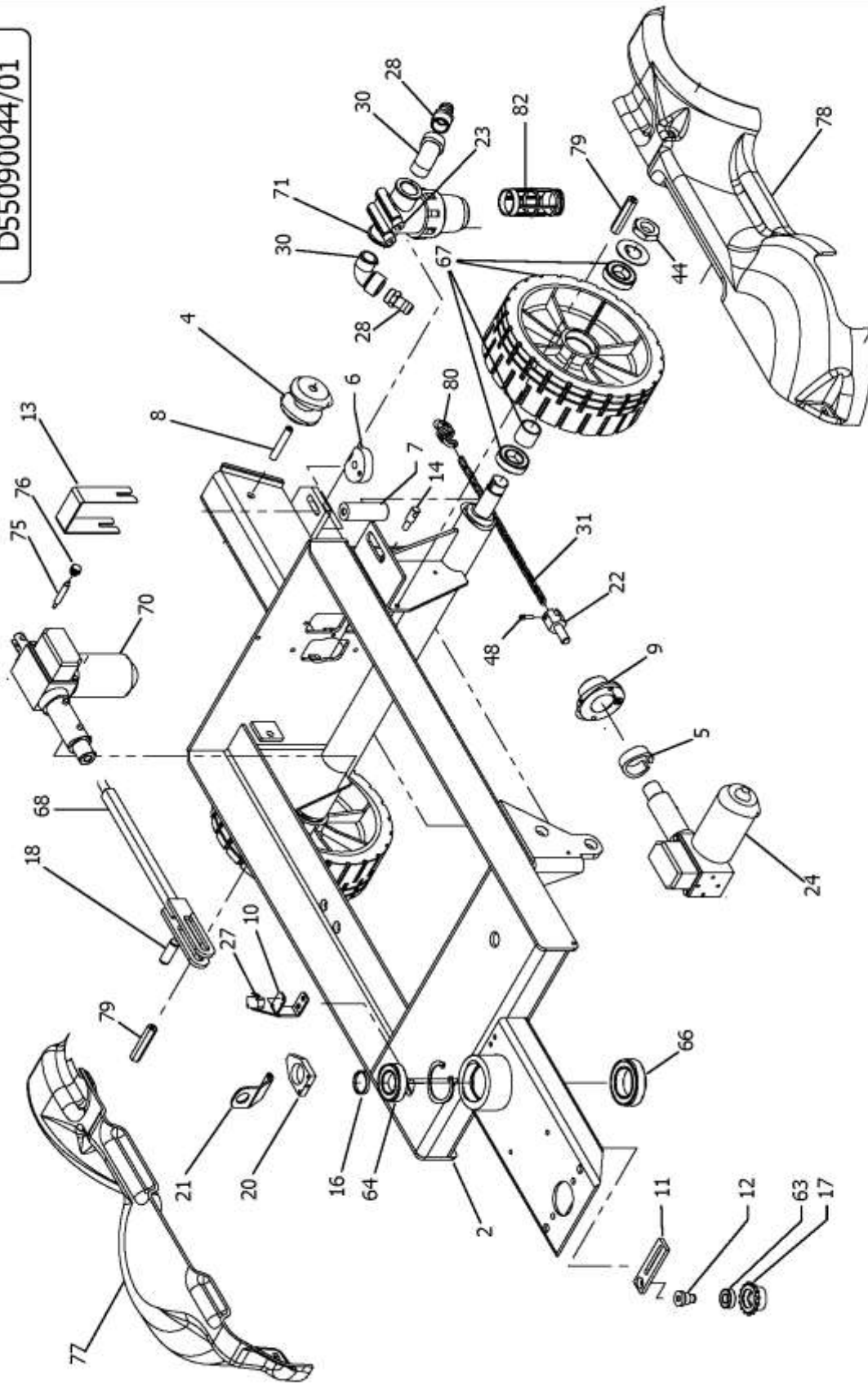
Articolo: **5.509.1235** **GRUPPO TELAIO KRON S2 2007**
 Tavola: **D55090044/01** Inizio Validità: **13/11/2015** Fine Validità:

Componente	Descrizione	Pos.	Tipo Man.
5.513.0171	KRON S FRAME	2	
4.508.1199	SQUEGEE PULLEY	4	
4.508.0990	ACTUATOR SPACER	5	
4.507.1056	SQUEGEE SPACER	6	
4.507.1055	SQUEEGEE STOP BOLT	7	
4.507.1037	PULLEY PIN X SQUEGEE	8	
4.507.1036	ACTUATOR FLANGE	9	
4.507.1006	MICRO BRACKET	10	
4.507.0997	CHAIN PLATE	11	
4.507.0996	CHAIN BUSH	12	
4.507.1062	VACUUM MOTOR HOSE CLAMP	13	
4.507.0359	ADJUSTING SCREW	14	
4.507.0568	SPACER FOR STEERING SHAFT	16	
4.507.0320	PINION FOR STEERING CHAIN TIGH TENER	17	
4.507.0249	PIN	18	
4.507.0213	STEERING CAM	20	
4.507.0205	BRACKET	21	
4.507.0162	SCREW	22	
4.506.0049	BUSHING	23	
3.499.0330	SIR C80 500N 30MM/SA00-1 A 24V ADAPTOR	24	
3.401.0094	MICROSWITCH WITH LEVER 21A 250 VAC	27	S
3.100.0121	HOSE FITTING UNION 3/4 D.20	28	
3.100.0120	UNION ELBOW 90 DEGREES M/F 3/4	30	
3.099.1352	SQUEGEE CHAIN	31	
3.099.0539	ELASTIC RING D. 28 UNI7437	33	
3.003.0402	NUT MB24x2 UNI 5589 INOX -DANY 024001-	44	
4.507.1193	CHAIN PIN	48	
3.001.0055	BEARING 6001 2RS1 12X28X8	63	
3.001.0053	BALL BEARING 6006 2RS 30X47X9	64	
3.001.0013	BEARING 6008 2RS1	66	
5.511.1154	COMPLETE REAR WHEEL FOR KRON S	67	
5.513.0173	ACTUATOR STICK	68	
3.499.0329	ACTUATOR 10MM/S 24V C80	70	

Lista de recambios: 8.577.0101 - FREGADORA KF90B

3.102.0009	WATER FILTER F/F 3/4 MESH 80 INOX	71	O
4.506.0233	KNOB PIN KRON S	75	
3.099.1267	KNOB D15 M4	76	
4.513.0341	RIGHT BOTTOM COVERS KRON S2	77	
4.513.0342	LEFT BOTTOM COVERS KRON S2	78	
4.507.1059	COVER SPACER	79	
4.507.0301	SQUEEGEE SPRING	80	

D55090044/01

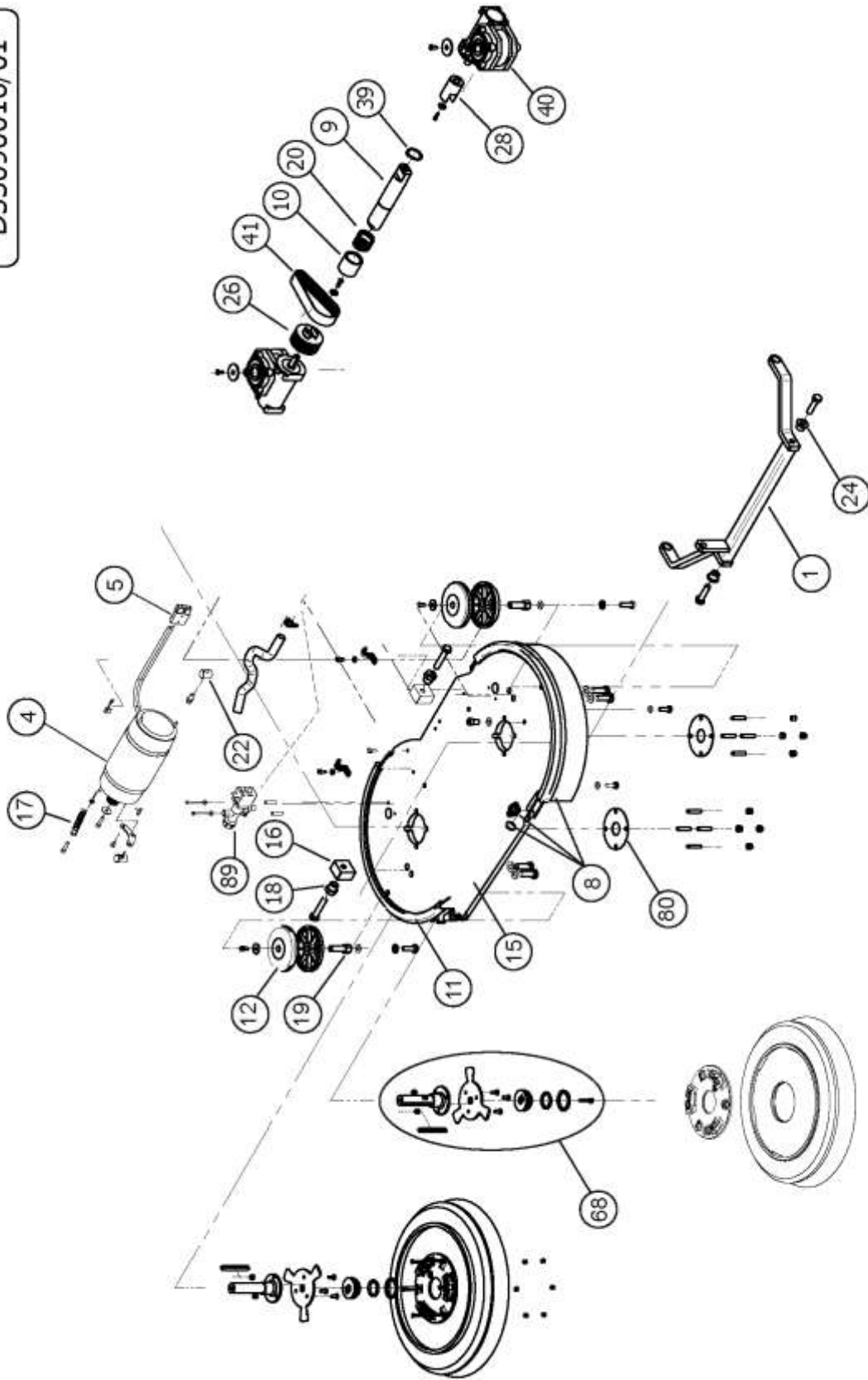


Lista de recambios: 8.577.0101 - FREGADORA KF90B

Articolo: **5.509.2155** **GRUPPO PIATTO SPAZZOLE S-R 90**
 Tavola: **D55090016/01** Inizio Validità: **09/09/2015** Fine Validità:

Componente	Descrizione	Pos.	Tipo Man.
5.513.0172	BRUSH PLATE BAR	1	
5.511.1844	COMPLETE BRUSH PLATE MOTOR	4	
5.511.1852	COMPLETE LEFT BOOMPER	8	S
4.508.0704	AXLE	9	
4.508.0299	NYLON CENTRING BUSHING	10	
5.511.1853	COMPLETE RIGHT BOOMPER	11	S
4.508.0224	BUMPER WHEEL D.110 GREY	12	S
4.507.1538	BRUSH PLATE 90	15	
4.507.1074	BAR	16	
4.507.0467	SPRING	17	
4.507.0424	CAM - KRON L	18	
4.507.0335	COMPRESSION SPRING	20	
4.507.0151	MOTOR SUPPORT	22	
4.505.0874	DRIVEN PULLEY - KRON ZERO	26	
4.505.0032	RING NUT	28	
3.099.0544	SEEGER RING D=35 UNI 7435-35	39	
3.099.1511	SPEED REDUCER RI40	40	
3.099.0856	BELT POLY-V 130J 330 H=12	41	S
5.511.1173	BRUSH COUPLING ASSEMBLY KRON ZERO	68	
4.507.1092	RIDUCTOR PROTECTION DISC	80	

D55090016/01



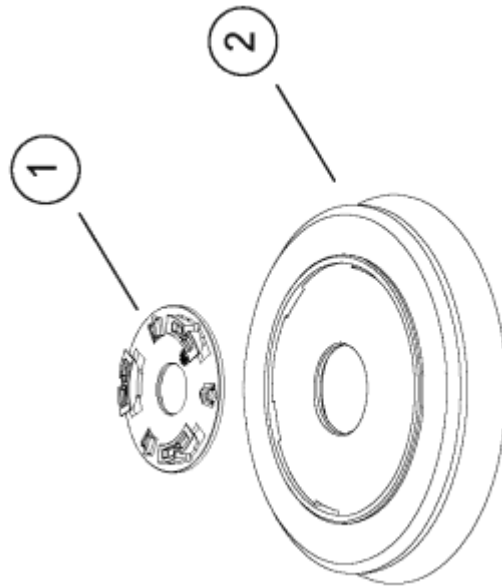
Lista de recambios: 8.577.0101 - FREGADORA KF90B

Articolo: **5.511.1845** **ASSIEME SPAZZOLA PPL MOD 32- SR90 D457/18 DX/SX SETOLE DIRITTE**

Tavola: **D55110033/01** Inizio Validità **13/11/2015** Fine Validità:

Componente	Descrizione	Pos.	Tipo Man.
4.508.1192	UNIFIED FLANGE FOR BRUSH COUPLING	1	S
3.602.0075	PPL BRUSH MOD.32-SR90 D.457/18	2	

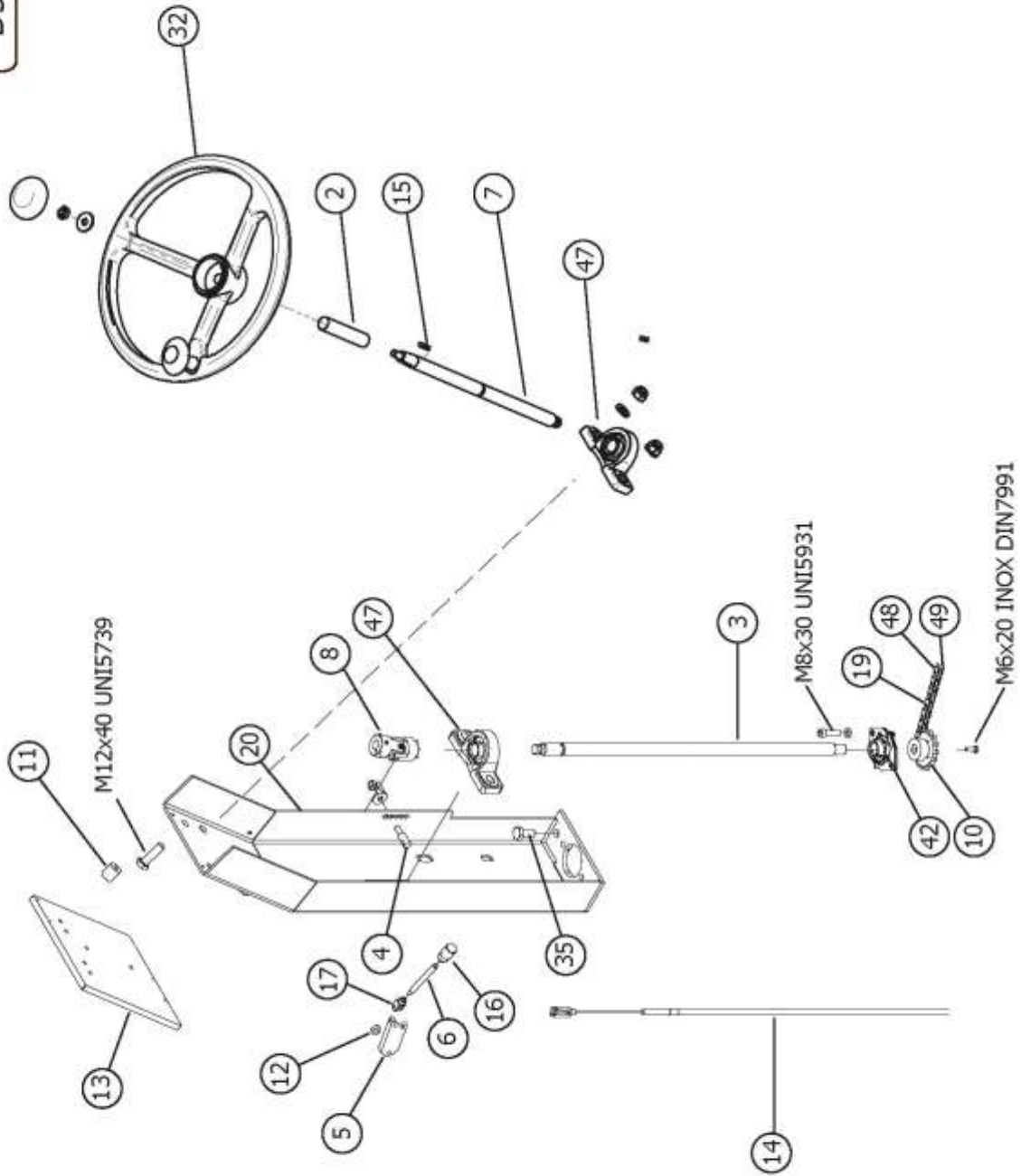
LAVORE D55110033/01



Articolo: **5.509.1180** **GRUPPO STERZANTE KRON S 09/06**
 Tavola: **D55090042/01** Inizio Validità **13/11/2015** Fine Validità:

Componente	Descrizione	Pos.	Tipo Man.
4.508.1223	PROTECTIVE COVERING	2	
4.507.1041	STEERING (BOTTOM)	3	
4.507.0359	ADJUSTING SCREW	4	
4.507.0318	PLATE	5	
4.507.0317	SHAFT FOR KNOB	6	
4.507.0279	UPPER STEERING SHAFT	7	
3.099.1134	CARDAN JOINT GS 32.16	8	
4.507.0211	STEERING PINION	10	
4.506.0224	HEAT DISSIPATOR PLATE SLEEVE	11	
4.506.0068	SPACER 6.5X15x5 1	12	
4.505.0198	HEAT DISSIPATOR PLATE	13	
3.099.0520	TRANSMISSION COMPLETE WITH WIR E-SLEEVE AND FORK	14	
3.099.0558	FEATHER KEY 5X5X25 UNI 6604A 1	15	
3.099.0371	LEVER KNOB M8	16	
3.099.0337	WATER GEAR CONTROL M6+CLIP	17	
3.099.1257	NICKEL-PLATE CHAIN 06-B1 3/8 L=900mm	19	
5.513.0196	STEERING COLUMN	20	
3.099.0701	STEERING WHEEL	32	
3.001.0035	BEARING HOUSING + BEARING BPFL4	42	
3.001.0047	STRAIGHT SUPPORT D.20	47	
3.099.0495	CHAIN LINK FOR CHAIN 3/8 06 B -2	48	

D55090042/01

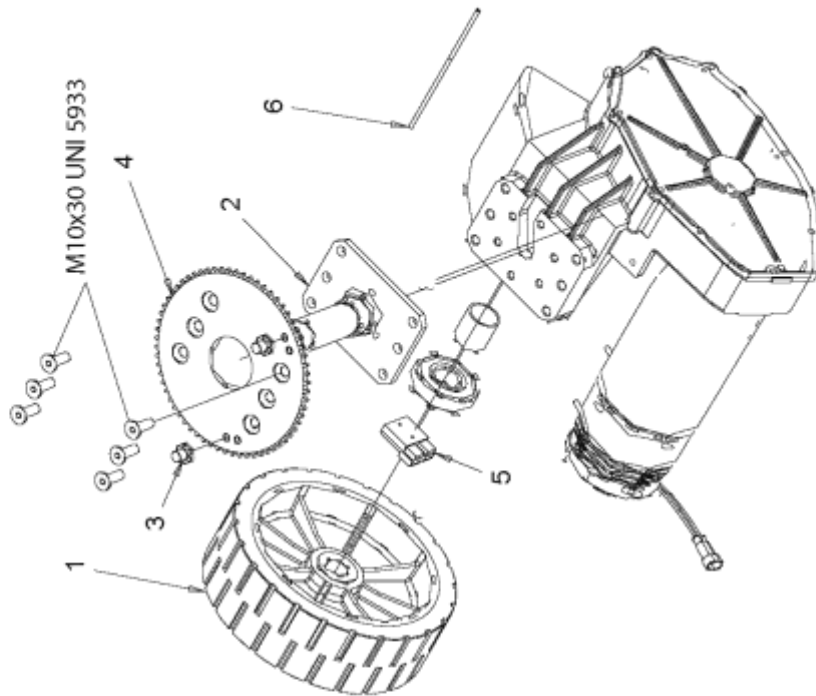


Lista de recambios: 8.577.0101 - FREGADORA KF90B

Articolo: **5.509.1183** **GRUPPO MOTORUOTA KRON S 09/06**
Tavola: **D55090030/01** Inizio Validità **13/11/2015** Fine Validità:

Componente	Descrizione	Pos.	Tipo Man.
3.006.0112	FRONT WHEEL KRON S/M	1	S
5.513.0166	MOTORWHEEL SHAFT	2	
4.507.0995	MOTORWHEEL STOP BOLT	3	
4.507.0981	STEERING CROWN WHEEL	4	
3.499.0029	RED CONNECTOR SR50	5	
4.508.0322	SPLASH GUARD KRON S - M 1	6	

LAVOR D55090030/01

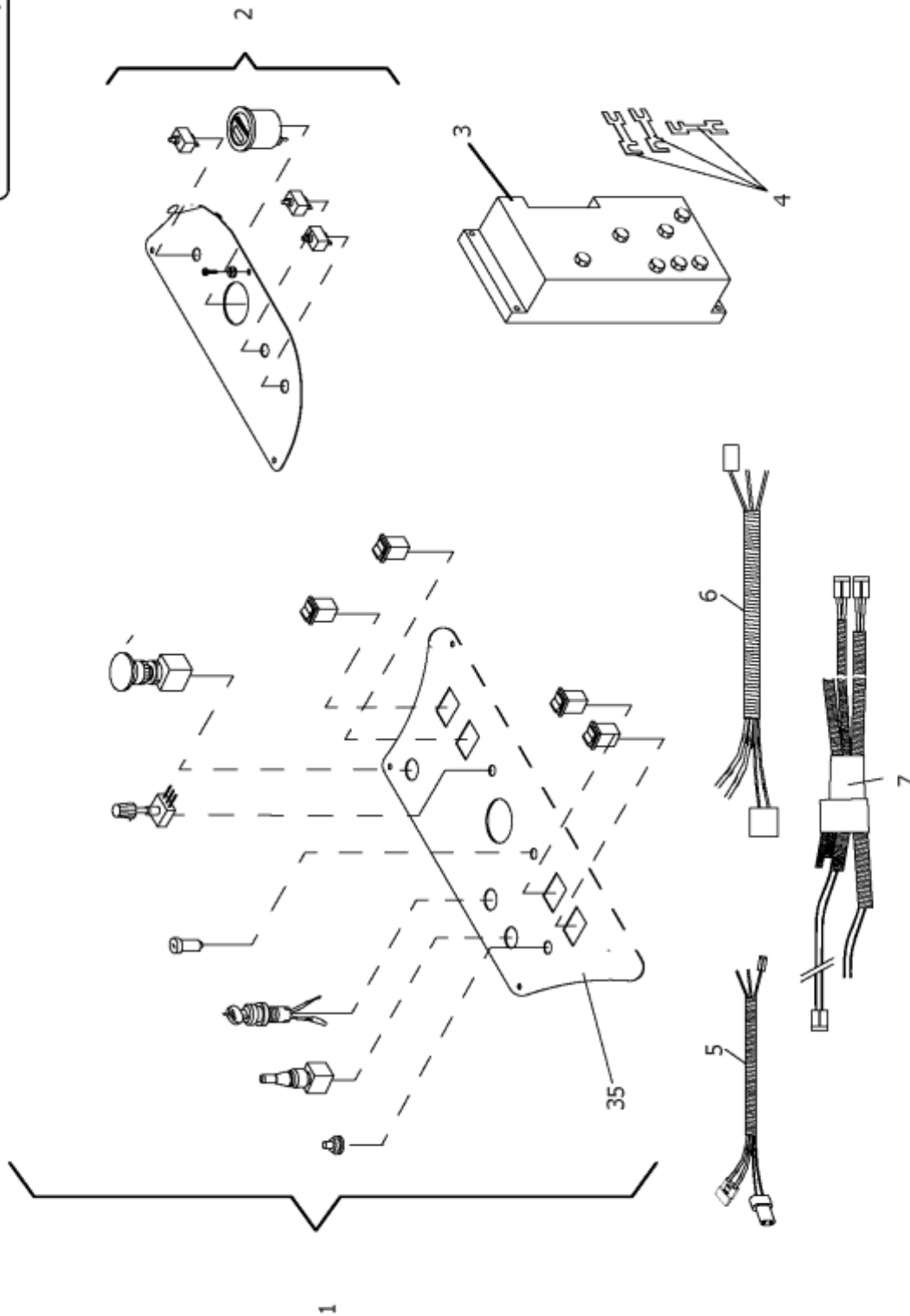


Lista de recambios: 8.577.0101 - FREGADORA KF90B

Articolo: **5.509.1184** **GRUPPI IMPIANTO ELETTRICO KRON S 09/06**
Tavola: **D55090043/01** Inizio Validità: **13/11/2015** Fine Validità:

Componente	Descrizione	Pos.	Tipo Man.
5.511.1159	CRUSCOTTO CABLATO 09/06	2	
5.511.1815	CHOPPER CARD KRON ZERO 07/2006	3	
6.505.0032	KIT STRIP FUSE FOR COMFORST SR	4	S
3.499.0345	WIRING	5	
3.499.0335	REAR CABLING 09/06	6	
3.499.0334	FRONT CABLING 24V 09/06	7	

D55090043/01

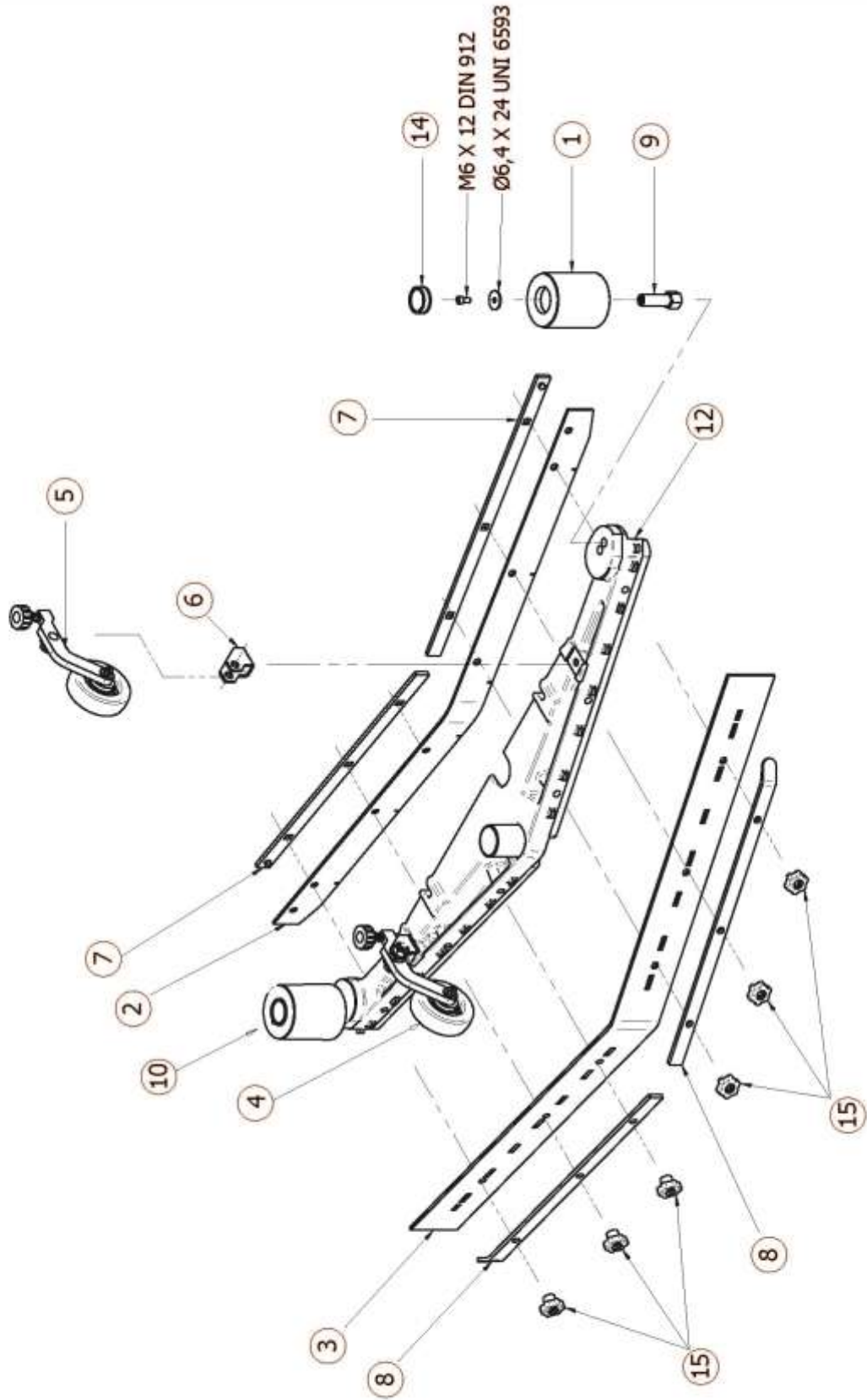


Lista de recambios: 8.577.0101 - FREGADORA KF90B

Articolo: **5.511.1147** **ASSIEME SQUEEGEE KRON S2 09/06**
Tavola: **D55110012/01** Inizio Validità **13/11/2015** Fine Validità:

Componente	Descrizione	Pos.	Tipo Man.
4.508.1210	BUMPER WHEEL	1	S
4.508.1196	FRONT SQUEEGEE BLADE	2	O
4.508.1195	REAR SQUEEGEE BLADE	3	O
5.511.1067	SQUEEGEE WHEEL ASSEMBLY	5	S
4.507.0986	WHEEL LEVER SUPPORT	6	
4.507.1032	FRONT HANGER OF LOCKING	7	
4.507.1031	REAR HANGER OF LOCKING	8	
4.507.0361	BUMPER WHEEL SUPPORT	9	
4.505.0179	SQUEEGEE	12	
3.099.1399	CAP FOR BUMPER WHEEL	14	
3.099.0467	KNOB M8	15	

D55110012/01



Lista de recambios: 8.577.0101 - FREGADORA KF90B

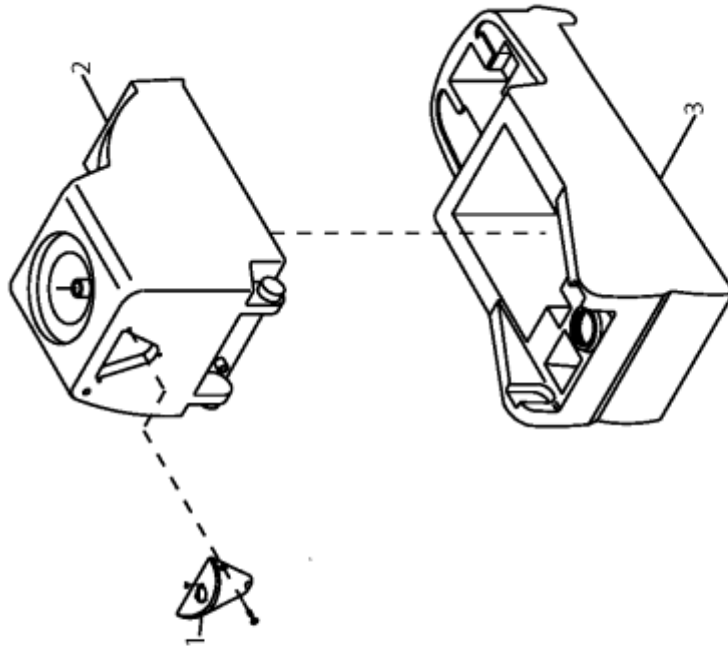
Articolo: **5.511.1155** **ASSIEME SERBATOIO KRON S ARANC IO/GRIGIO SC 09/06**

Tavola: **D55110055/01** Inizio Validità **11/02/2016** Fine Validità:

Componente	Descrizione	Pos.	Tipo Man.
4.508.0247	BLINKER SUPPORT	1	
4.508.0242	RECOVERY TANK KRON S - ORANGE	2	
4.508.0244	SOLUTION TANK KRON S - DARK GR EY	3	
4.513.0332	STEERING COLUMN COVER	4	
4.513.0161	FRONT COVER	5	

Exploded drawing D55110055/01

By LindorWash

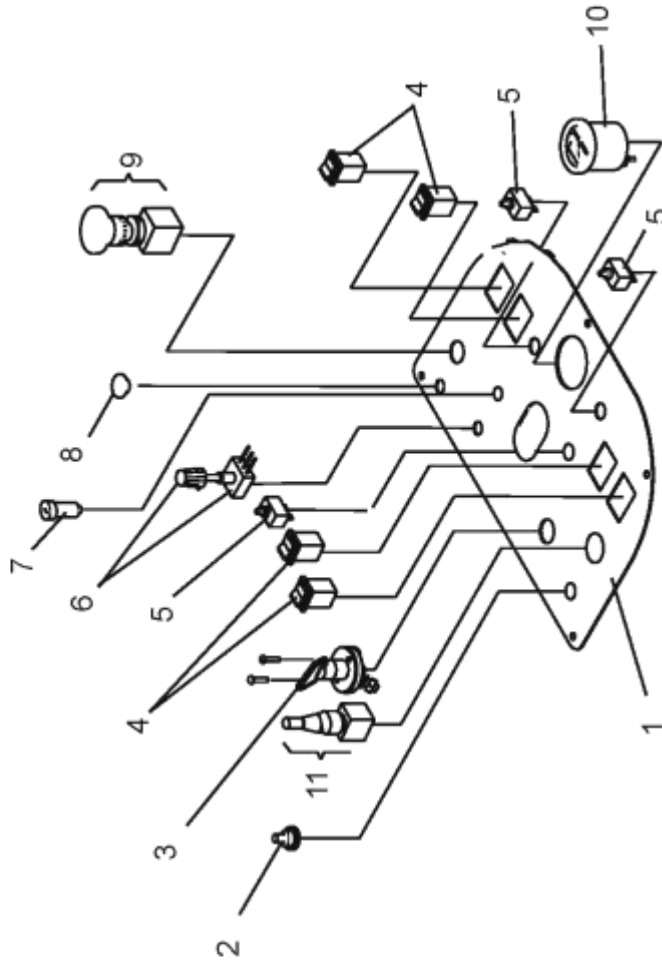


Lista de recambios: 8.577.0101 - FREGADORA KF90B

Articolo: **5.511.1159** **CRUSCOTTO CABLATO 09/06**
Tavola: **D55110028/01** Inizio Validità **06/11/2015** Fine Validità:

Componente	Descrizione	Pos.	Tipo Man.
4.505.0188	DASHBOARD - KRON S-M	1	
3.401.0103	PUSH BUTTON	2	S
3.401.0222	BATTERY MAIN SWITCH	3	
6.505.0033	SWITCH KIT	4	S
6.505.0031	THERMAL CIRCUIT BREAKER KIT	5	S
6.505.0034	POTENTIOMETER KIT	6	S
3.499.0124	FUSE 20A	7	S
3.499.0186	PILOT LAMP - RED	8	
5.511.1158	EMERGENCY SWITCH ASSEMBLY	9	
3.403.0145	BATTERY CHARGE INDICATOR	10	S
5.511.0612	KRON S JOYSTICK ASSEMBLY	11	

LAVOR D55110028/01



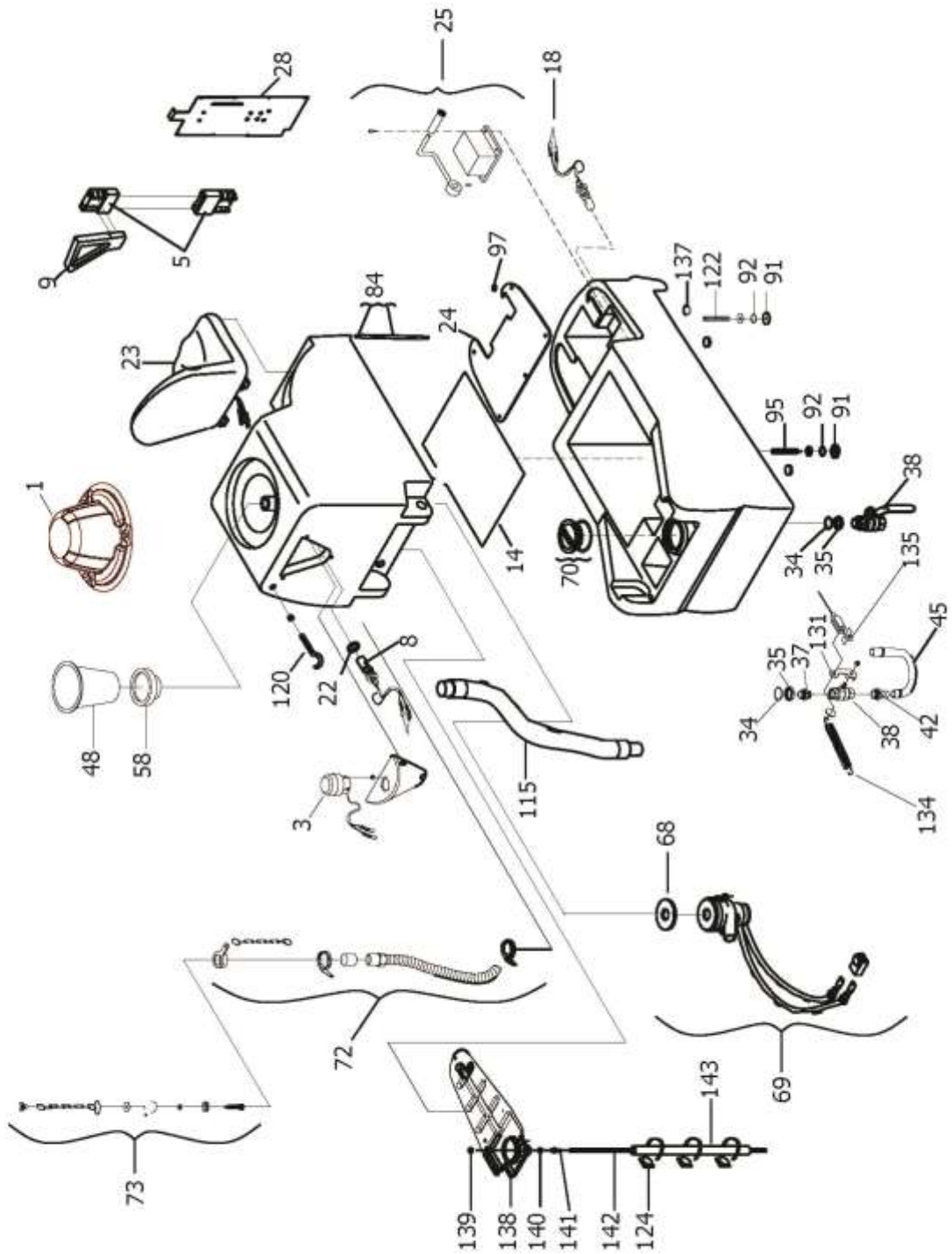
Articolo: **5.511.1156** **ASSIEME COMPONENTI SERBATOI KRON S 09/06**
 Tavola: **D55110056/01** Inizio Validità **13/11/2015** Fine Validità:

Componente	Descrizione	Pos.	Tipo Man.
5.511.0946	RECOVERY TANK CAP ASSEMBLY - K RON S	1	
3.499.0035	BLINKER 24/36V D.86 H.100	3	S
3.499.0036	ANDERSON PLUG - RED	5	S
3.403.0043	FLOATING SWITCH	8	S
3.499.0037	HANDLE FOR ANDERSON PLUG	9	
4.507.0198	BASEPLATE	14	
3.403.0159	SENSOR LEVEL	18	S
3.201.0043	SEALING RING	22	
3.099.0480	SMALL SEAT RID. W/RUNNERS SKY MICRO -SML010RM- 1	23	
4.505.0084	ALUMINIUM FOOTBOARD KRON S	24	
5.511.1063	RUDDER PEDALS WITH LEVER	25	
4.505.0186	STEERING COLUMN COVER	28	
3.200.0124	O-RING 4112 28.17X3.53	34	
4.506.0063	WASHER 3/4 FOR O-RING 4112	35	
3.100.0090	NIPPLE 3/4 -3/4	37	
3.105.0009	BALL VALVE 3/4" F/F	38	
3.100.0121	HOSE FITTING UNION 3/4 D.20	42	
3.099.1086	ARMONVILLE HOSE D.=20 L.=295	45	
4.508.0320	SUCTION CONE KRON S1	48	
4.508.0716	FILTER - KRON M	58	O
4.508.0163	GASKET FOR SUCTION MOTOR	68	
5.511.1301	VACUUM MOTOR KIT WITH GASKET AND CONNECTOR	69	S
5.511.0395	SOLUTION TANK CAP ASSEMBLY	70	
5.511.0195	DRAIN HOSE ASSEMBLY KRON	72	S
5.511.0421	DRAIN HOSE CAP ASSEMBLY	73	S
5.511.0429	TANK RETAINER CHAIN ASSEMBLY - KRON S	84	
4.506.0081	GROMMET	91	
3.200.0156	OR GASKET 20X28X20	92	
3.002.0236	SCREW M10X50 DIN 914 INOX	95	
4.508.0420	PROTECTING WASHER	97	
3.099.0739	HOSE SUPERFLEX KLL M D.38+2 CO UPLINGS D.38 L=1701	115	
4.507.0133	HOOK HOLDER FOR DRAIN HOSE	120	
4.506.0040	INSERT D.6 L19.50mm	122	

Lista de recambios: 8.577.0101 - FREGADORA KF90B

3.099.0692	ELECTRICAL CONNECTION 27X27	124	
4.507.0235	WATER VALVE LEVER	131	
4.507.0345	SPRING FOR WATER TAP LEVER	134	
4.506.0068	SPACER 6.5X15x5 1	135	
4.508.0432	SPACER FOR TANK	137	
4.513.0354	RECOVERY TANK COVER - KRON S	138	
4.508.1018	LOCK NUT G1/4	139	
3.201.0051	GASKET	140	
3.100.0340	HOSE FITTING UNION G1/4 D10	141	
3.099.1344	DRAIN HOSE L=100	142	S
4.508.1300	PVC HOSE D=20 L=350 SP.=1.5	143	

D55110056/01



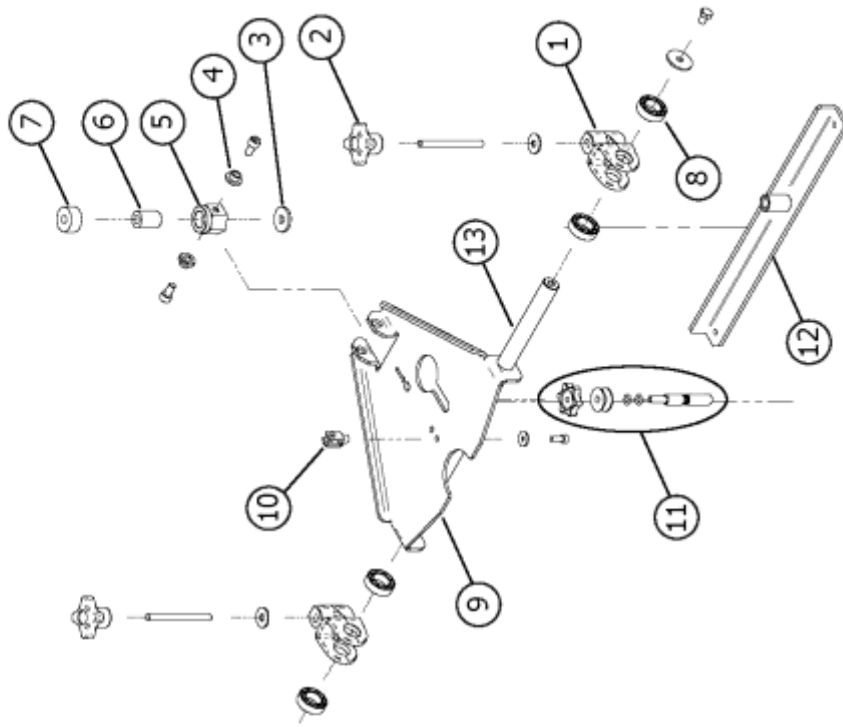
Lista de recambios: 8.577.0101 - FREGADORA KF90B

Articolo: **5.511.1426** **ASSIEME SUPPORTO SQG UNIFICATO F2/MIDI-R/ZERO/XS/S/SR**

Tavola: **D55110040/01** Inizio Validità **13/11/2015** Fine Validità:

Componente	Descrizione	Pos.	Tipo Man.
5.513.0170	DIE-CAST SQUEEGEE SUPPORT	1	
4.507.0344	WASHER	2	
5.511.1437	SQUEEGEE REGULATOR KNOB	2	
4.506.0229	BUSHING	4	
4.508.0647	SPACER	5	
4.506.0246	VERTICAL ARTICULATED JOINT	6	
4.507.1217	SQUEEGEE SPACER	7	
4.507.1214	HORIZONTAL ARTICULATED JOINT	8	
4.507.1028	SQUEEGEE SUPPORT	9	
3.099.0337	WATER GEAR CONTROL M6+CLIP	10	
5.511.1149	SQUEEGEE AJUSTING SET 09/06	11	
4.507.0987	ANTIROTATION BAR	12	
4.507.0985	SQUEEGEE AXIS	13	

D55110040/01

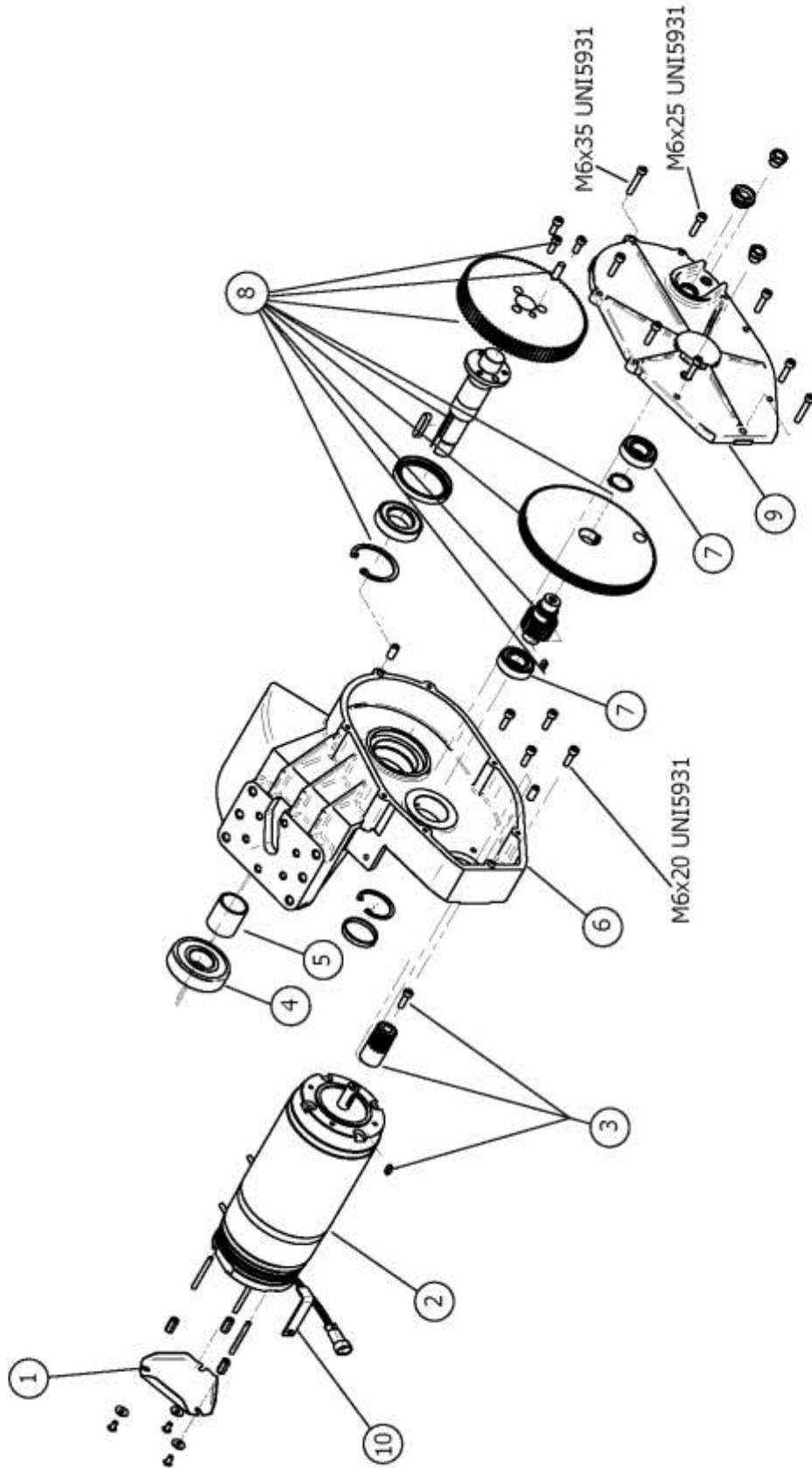


Lista de recambios: 8.577.0101 - FREGADORA KF90B

Articolo: **5.511.1151** **ASSIEME MOTORUOTA 09/06**
Tavola: **D55110030/01** Inizio Validità **13/11/2015** Fine Validità:

Componente	Descrizione	Pos.	Tipo Man.
4.507.1138	ALUMINIUM FOOTBOARD	1	
5.501.0052	MOTOR S114M 24V 900W 3200 RPM W/BRAKE	2	S
5.511.1152	MOTOR PINION KIT	3	S
3.001.0048	BEARING 6306 2RS1 30X72X19	4	
4.507.0734	SPACER FOR MOTORWHEEL - KRON Z ERO	5	
4.505.0116	MOTORWHEEL FRAME - KRON ZERO	6	
3.001.0034	BALL BEARING 6004 2RS (42X20X1 2)	7	
5.511.1153	MOTORWHEEL SPARE PARTS KIT	8	
4.505.0117	MOTORWHEEL COVER - KRON ZERO	9	

E55110030/01



Lista de recambios: 8.577.0101 - FREGADORA KF90B

Articolo: **5.511.1765** **ASS. IMPIANTO ACQUA UNIFICATO KRON S - COMFORT SR**

Tavola: **D55110016/01** Inizio Validità **09/09/2015** Fine Validità:

Componente	Descrizione	Pos.	Tipo Man.
4.512.0074	SOLENOID VALVE WIRING	1	
3.100.0355	"T" JOINT G3/4	2	
3.100.0330	RIDUCTOR BUSH G3/4 M-G1/2F	3	
3.100.0121	HOSE FITTING UNION 3/4 D.20	4	
3.412.0027	SOLENOID VALVE 1/2	5	S

D55110016/01

