



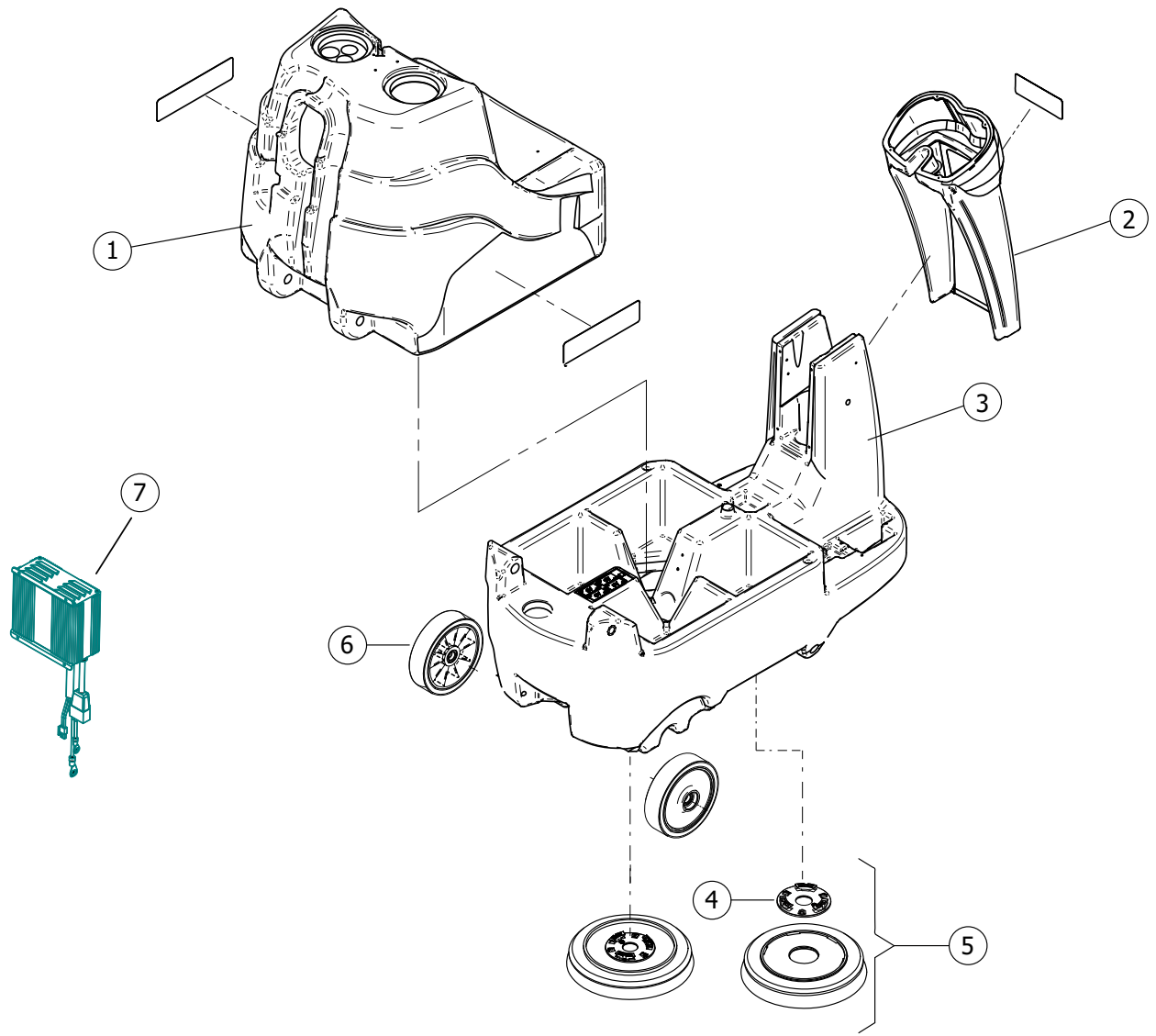
Despiece Fregadora KF85BPLUS



*Content filters: validity 07/03/2017
07/03/2017*

R85763103 - KF85BPLUS.....	3
R55092151 - GRUPPO TELAIO KF85BPLUS.....	5
R55092152 - GRUPPO SERBATOIO SOLUZIONE KF85BPLUS.....	7
R55092157 - GRUPPO PIATTO SPAZZOLA KF85BPLUS.....	10
R55111170 - ASS. IMPIANTO ACQUA UNIFICATO KF85BPLUS.....	12
R55111857 - ASSIEME INNESTO SPAZZOLA.....	14
R55092162 - GRUPPO SERB. RECUPERO KF85BPLUS.....	16
R55111601 - ASSIEME ATTUATOREE SQUEGEE KF85BPLUS.....	18
R55111602 - ASSIEME ATTUATOREE PIATTO KF85BPLUS.....	20
R55111859 - ASSIEME PANNELLO CRUSCOTTO C/SCHEDA E INTERR.MARCIA	22
R55111596 - ASSIEME SQG 85 KF85BPLUS.....	24
R55111688 - ASSIEME SPAZZOLA PPL - SETOLE DIRITTE ALCOR-SPEED.....	26
R55111846 - ASSIEME SUPPORTO SQG.....	28
Components index.....	30

D85760001/01

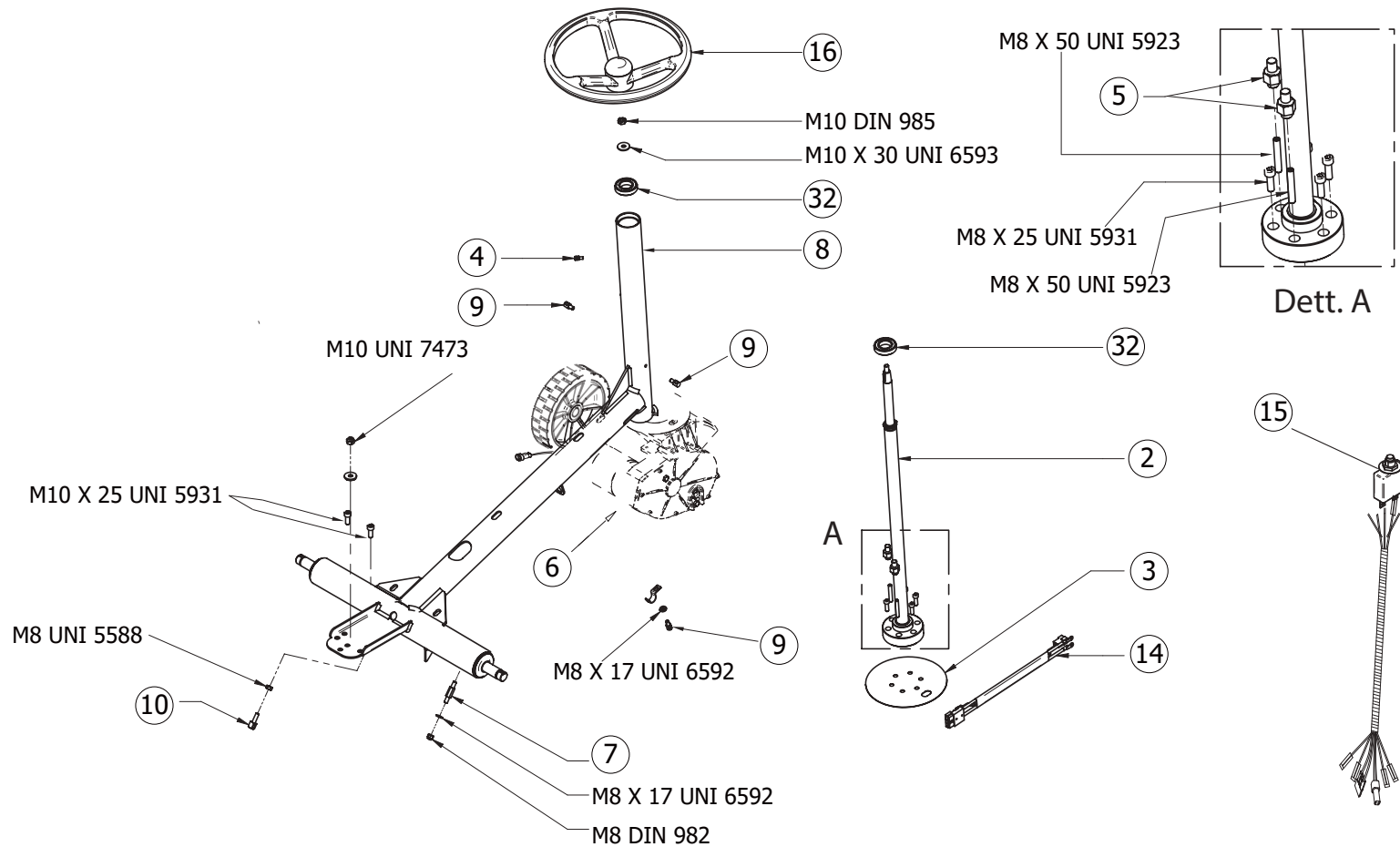


KF85BPLUS - Content filters: validity 07/03/2017

Pos.	Code	Substituted by	Q.ty	Purchasable	Min. Q.ty	For mainten.	Description
0	R55092151		1	No			GRUPPO TELAIO KF85BPLUS
0	R55092152		1	No			GRUPPO SERBATOIO SOLUZIONE KF85BPLUS
0	R55092157		1	No			GRUPPO PIATTO SPAZZOLA KF85BPLUS
0	R55092162		1	No			GRUPPO SERB. RECUPERO KF85BPLUS
0	R55111596		1	No			ASSIEME SQG 85 KF85BPLUS
0	R55111688		1	No			ASSIEME SPAZZOLA PPL MOD 430 - SETOLE DIRITTE ALCOR-SPEED
0	R55111846		1	No			ASSIEME SUPPORTO SQG
001	4.508.0625		1	Yes	1		SOLUTION TANK KF85BPLUS
002	4.508.1562		1	Yes	1		STEERING COLUMN COVER
003	4.508.1663	5.511.1873	1	Yes	1		SOLUTION TANK
005	5.511.1688		2	Yes	1	ORD	BRUSH
006	5.511.0723		2	Yes	1		REAR WHEEL ASSEMBLY - KF85BPLUS

KF85BPLUS - Content filters: validity 07/03/2017

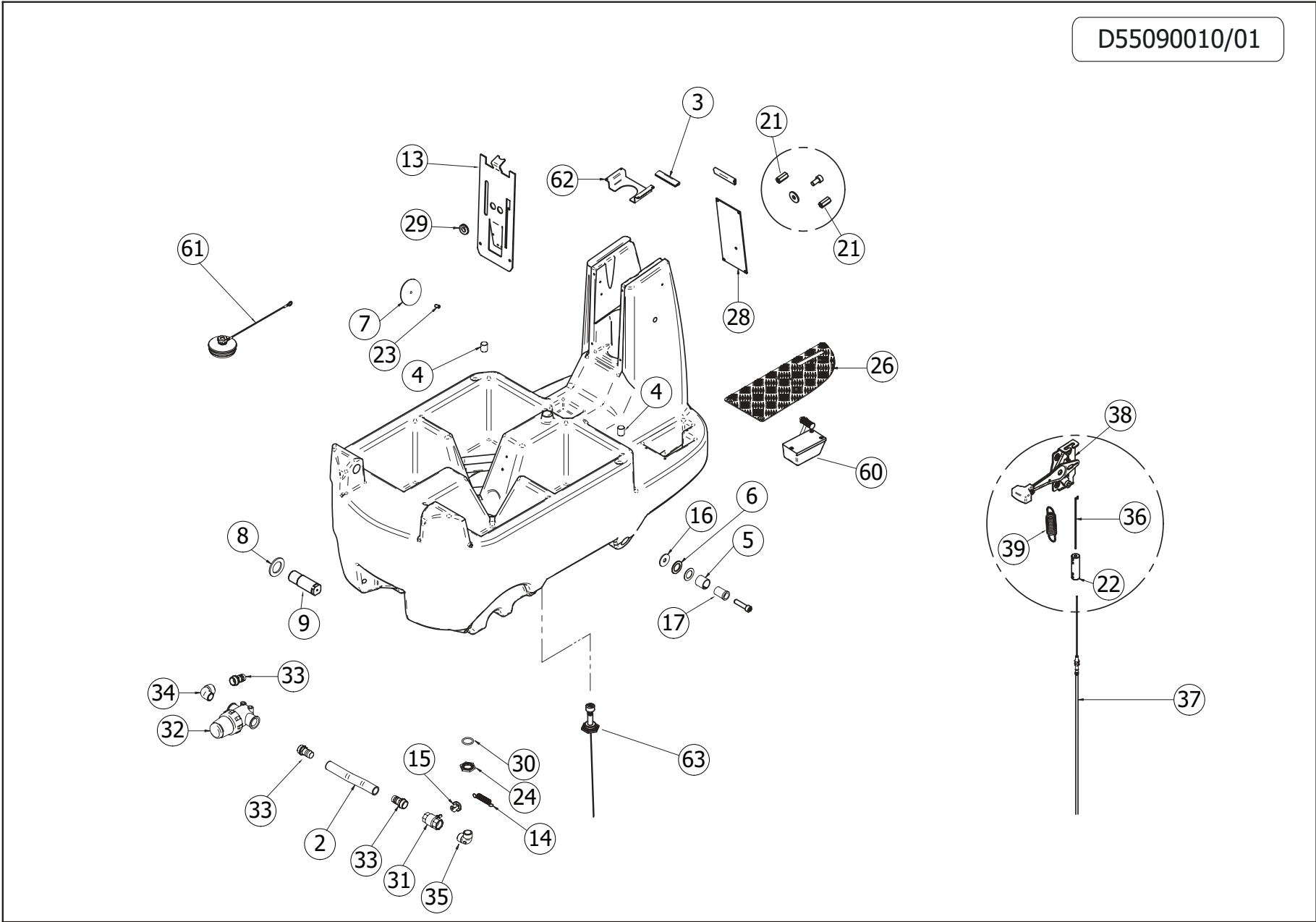
D55090012/01



KF85BPLUS - Content filters: validity 07/03/2017

Pos.	Code	Substituted by	Q.ty	Purchasable	Min. Q.ty	For mainten.	Description
002	5.511.0808		1	Yes	1		STEERING COLUMN
003	4.508.0658		1	Yes	2		CABLE HOLDER - KF85BPLUS
004	4.507.0835		1	Yes	6		PIN FOR SPRING COUPLING
005	4.507.0745		2	Yes	3		STEERING STOP BOLT
006	5.511.1842		1	Yes	1		COMPLETE MOTORWHEEL
007	4.507.0743		1	Yes	2		SPRING SUPPORT
008	4.507.0741		1	Yes	1		FRAME - KF85BPLUS
009	4.507.0596		2	Yes	4		BRAKE ADJUSTER SUPPORT- KF85BPLUS
010	4.507.0359		1	Yes	6		ADJUSTING SCREW
014	3.499.0241		1	Yes	1		WIRING
015	3.401.0076		1	Yes	2	EXT	THERMAL CIRCUIT BREAKER 40A SM7400
015	4.512.0114		1	Yes	1		CABLE L=210mm ACTUATOR CONTROLLER/MAIN CABLE
016	3.099.1223		1	Yes	1		STEERING WHEEL D.360 H.100
032	3.001.0053		2	Yes	3		BALL BEARING 6006 2RS 30X47X9

KF85BPLUS - Content filters: validity 07/03/2017



KF85BPLUS - Content filters: validity 07/03/2017

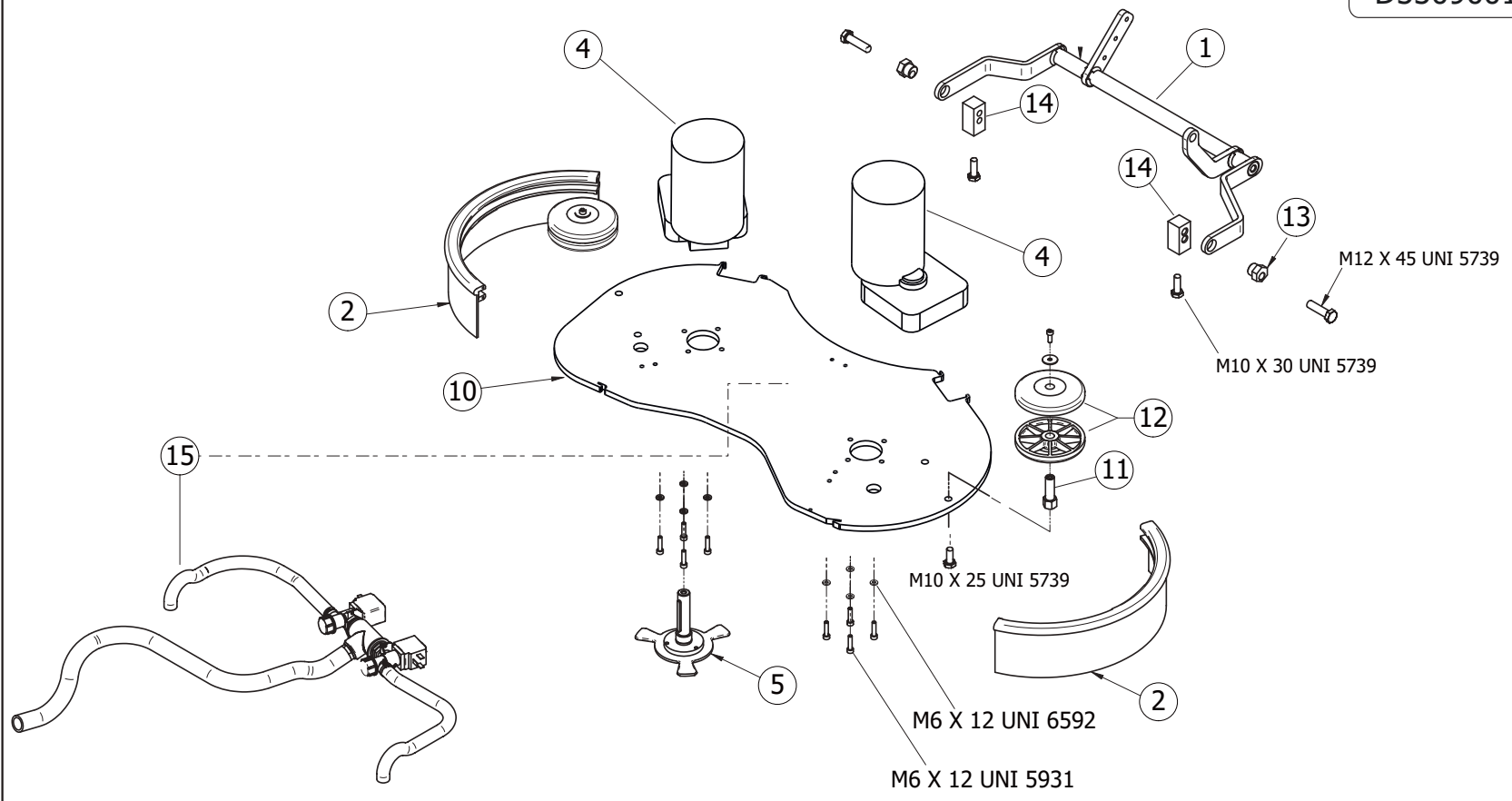
Pos.	Code	Substituted by	Q.ty	Purchasable	Min. Q.ty	For mainten.	Description
002	4.508.1427		1	Yes	1		HOSE D.20 X D.26.8 L=195mm
003	4.508.1388		2	Yes	12		RUBBER PROTECTION
004	4.508.0997		2	Yes	2		RUBBER BUMPER
005	4.508.0661		2	Yes	2		BUSHING KF85BPLUS
006	4.508.0660		4	Yes	4		SPACER FOR TANK - KF85BPLUS
007	4.508.0657		1	Yes	1		WASHER
008	4.508.0650		2	Yes	3		HINGE SPACER - KF85BPLUS
009	4.508.0649		2	Yes	1		HINGE PIN - KF85BPLUS
013	4.507.1144		1	Yes	1		COVER - KF85BPLUS
014	4.507.0767		1	Yes	3		SPRING FOR WATER TAP - KF85BPLUS
015	4.507.0766		1	Yes	2		LEVER FOR WATER TAP - KF85BPLUS
016	4.507.0764		2	Yes	4		SPACER FOR LEVER - KF85BPLUS
017	4.507.0763		2	Yes	2		BUSHING - KF85BPLUS
021	4.506.0210		4	Yes	6		SPACER
022	4.506.0153		1	Yes	1		UNION
023	4.506.0136		1	Yes	6		SPACER FOR CABLE SUPPORT
024	4.506.0063		1	Yes	2		WASHER 3/4 FOR O-RING 4112
026	4.505.0875		1	Yes	1		FOOTBOARD
028	4.505.0196		1	Yes	1		CHOPPER SUPPORT PLATE - KF85BPLUS
029	3.406.0032		2	Yes	12		CABLE-HOLDER 16X25X9.5 BLACK RUBBER 3
030	3.200.0124		1	Yes	12		O-RING 4112 28.17X3.53
031	3.105.0009		1	Yes	1		BALL VALVE 3/4" F/F
032	3.102.0009		1	Yes	1	ORD	WATER FILTER F/F 3/4 MESH 80INOX
033	4.506.0275		4	Yes	1		RACCORDO PORTAGOMMA DIRITTO 3/4M D.int.16
034	3.100.0120		1	Yes	2		UNION ELBOW 90 DEGREES M/F 3/4
035	3.100.0119		1	Yes	2		ELBOW CONNECTOR 90 GRADES M/M3/4
036	3.099.1250		1	Yes	2		STEEL CABLE L=100
037	3.099.1028		1	Yes	1	EXT	WATER OUTLET CABLE W/SHEATH KF85BPLUS
038	3.099.0862		1	Yes	1		WATER OUTLET LEVER KF85BPLUS
039	3.099.0832		1	Yes	3		SPRING
060	5.511.1860		1	Yes	1		RUDDER PEDALS WITH LEVER

KF85BPLUS - Content filters: validity 07/03/2017

Pos.	Code	Substituted by	Q.ty	Purchasable	Min. Q.ty	For mainten.	Description
061	5.511.0619		1	Yes	1		SOLUTION TANK CAP KF85BPLUS ASSEMBLY
062	4.507.1226		1	Yes	1		CENTERING SUPPORT
063	5.511.1431		1	Yes	1		SOLUTION FLOAT

KF85BPLUS - Content filters: validity 07/03/2017

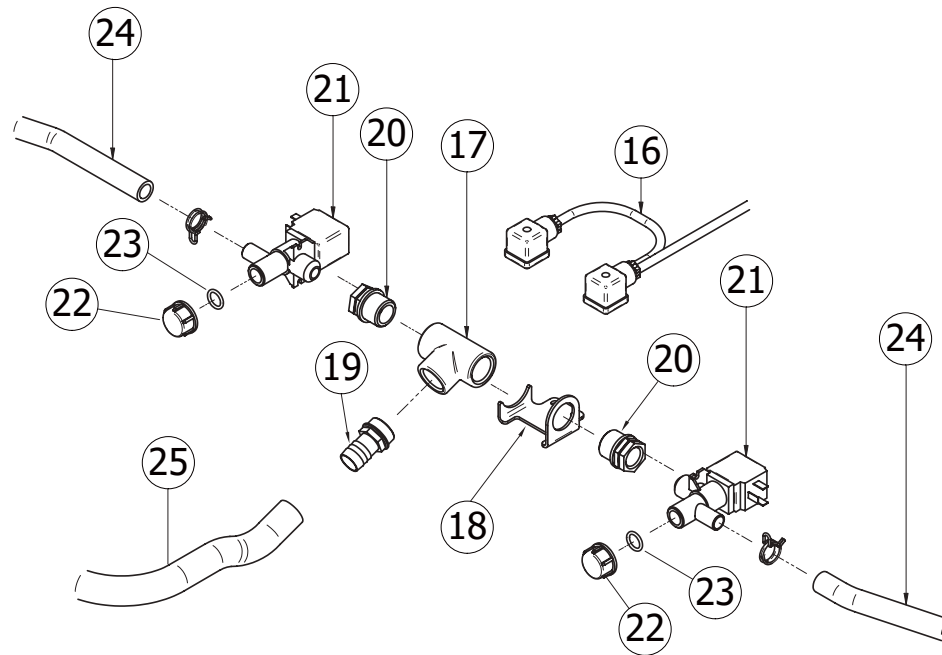
D55090013/01



KF85BPLUS - Content filters: validity 07/03/2017

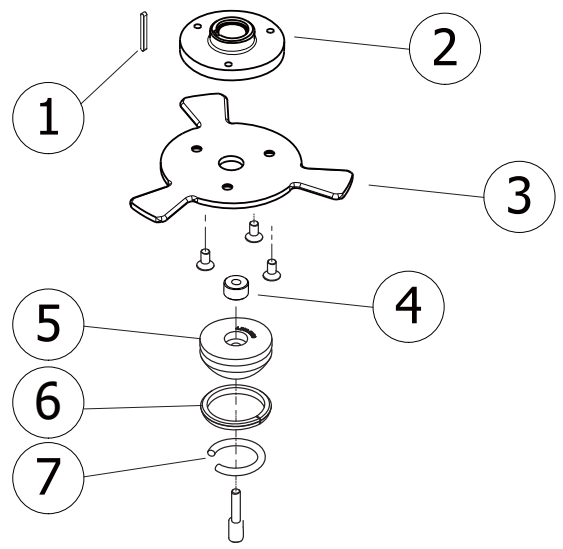
Pos.	Code	Substituted by	Q.ty	Purchasable	Min. Q.ty	For mainten.	Description
0	R55111170		1	No			ASS. IMPIANTO ACQUA UNIFICATO KF85BPLUS
0	R55111857		1	No			ASSIEME INNESTO SPAZZOLA
001	5.513.0310		1	Yes	1		BRUSH PLATE LIFTING LEVER
002	5.511.1854		2	Yes	1		COMPLETE RIGHT BOOMPER
004	5.501.0086		2	Yes	1		MOTOR+GEARBOX 24V DC 400W 20A150 RPM (HY-230)
005	5.511.1857		2	Yes	1		BRUSH COUPLING ASSEMBLY
010	4.507.1536		1	Yes	1		BRUSH PLATE '14
011	4.507.0361		2	Yes	2		BUMPER WHEEL SUPPORT
012	4.508.0224		4	Yes	2	EXT	BUMPER WHEEL D.110 GREY
013	4.507.0365		2	Yes	6		CAM
014	4.507.1074		2	Yes	1		BAR
015	5.511.1170		1	Yes	1		WATER SYSTEM

KF85BPLUS - Content filters: validity 07/03/2017



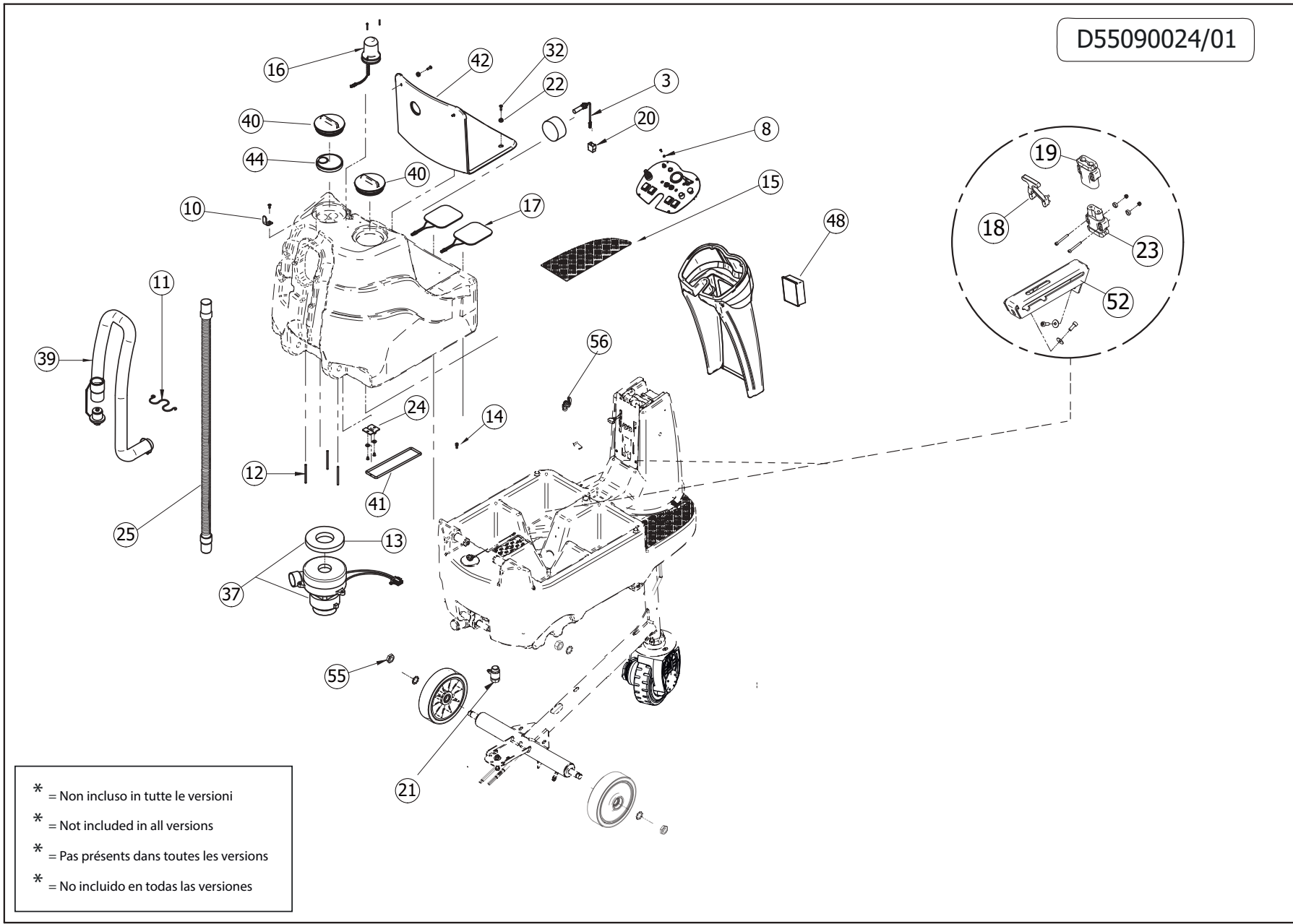
Pos.	Code	Substituted by	Q.ty	Purchasable	Min. Q.ty	For mainten.	Description
016	4.512.0088		1	Yes	1		SOLENOID VALVE CABLE
017	3.100.0355		1	Yes	2		"T" JOINT G3/4
018	4.507.1282		1	Yes	1		SOLENOID VALVE SUPPORT
019	4.506.0275		2	Yes	1		RACCORDO PORTAGOMMA DIRITTO 3/4M D.int.16
020	3.100.0330		2	Yes	6		RIDUCTOR BUSH G3/4 M-G1/2F
021	3.412.0027		2	Yes	1	EXT	SOLENOID VALVE 1/2
022	3.099.1032		2	Yes	6		CAP 1/2
023	3.200.0187		2	Yes	12		O-RING 3056
024	4.508.1244		2	Yes	4		HOSE D.INT.=14 L=380mm
025	3.099.1402		1	Yes	1		HOSE D.INT.=20 SP=3 L=680mm

KF85BPLUS - Content filters: validity 07/03/2017



Pos.	Code	Substituted by	Q.ty	Purchasable	Min. Q.ty	For mainten.	Description
001	3.099.0870		1	Yes	12		FEATHER KEY 6X6X12 UNI 6604 A
002	4.507.1470		1	Yes	1		BUSHING
003	4.507.0300		1	Yes	1		BRUSH COUPLING
004	4.507.1469		1	Yes	6		BUSHING
005	4.508.0290		1	Yes	2		BRUSH COUPLING CENTERING BUSHING
006	4.508.0314		1	Yes	2		OPENED RING
007	3.200.0127		1	Yes	2		O-RING D=5.34 L=106

D55090024/01



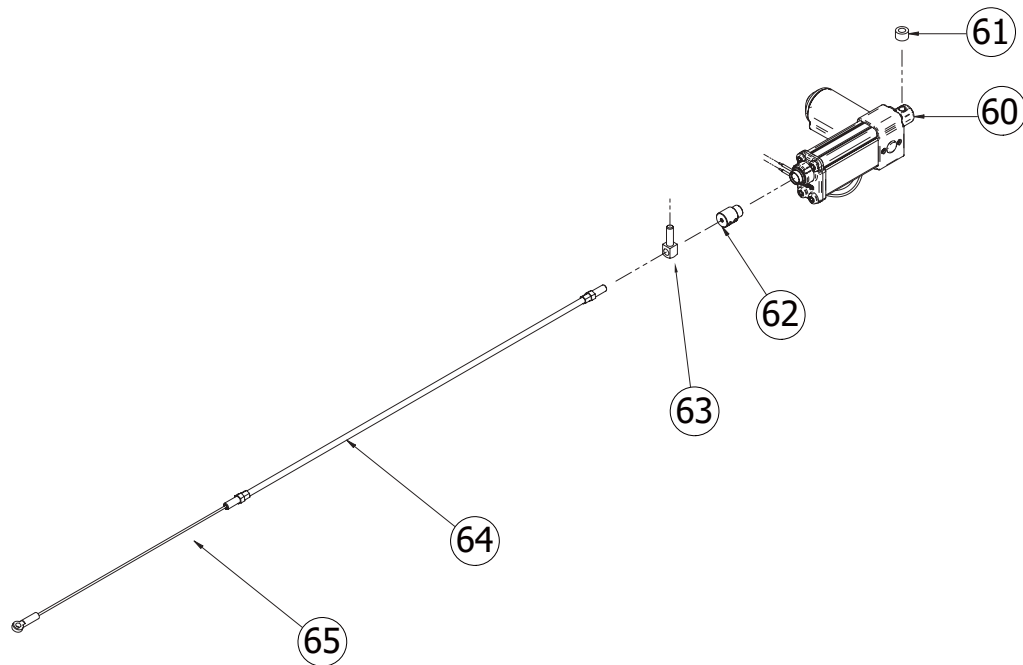
* = Non incluso in tutte le versioni
* = Not included in all versions
* = Pas présents dans toutes les versions
* = No incluido en todas las versiones

KF85BPLUS - Content filters: validity 07/03/2017

Pos.	Code	Substituted by	Q.ty	Purchasable	Min. Q.ty	For mainten.	Description
0	R55111601		1	No			ASSIEME ATTUATOREE SQUEGEE KF85BPLUS
0	R55111602		1	No			ASSIEME ATTUATOREE PIATTO KF85BPLUS
0	R55111859		1	No			ASSIEME PANNELLO CRUSCOTTO C/SCHEDA E INTERR.MARCIA
003	5.511.1438		1	Yes	1		COMPLETE FLOATING SWITCH
008	4.508.1246		4	Yes	6		CLAMP BUTTON
010	4.507.0761		1	Yes	1		DRAIN HOSE HOLDER
011	4.507.1048		1	Yes	1		HOSE CLAMP
012	4.506.0241		3	Yes	4		SPACER ENGINE MOUNTING
014	4.506.0034		1	Yes	6		PIN FOR SPRING COUPLING
015	4.505.0239		1	Yes	1		LEFT FOOTREST
016	3.499.0401		1	Yes	1	EXT	COMPLETE BLINKER 24/36V D.86 H.100
017	3.499.0400		2	Yes	1		COMPLETE MICROSWICH FOR SEAT
018	3.499.0283		1	Yes	2		HANDLE FOR REMA PLUG
019	3.499.0285		1	Yes	1		PLUG FT80 F.
020	3.499.0187		1	Yes	12		PIN
021	3.099.1260		1	Yes	1		BALL VALVE 1" F/M
022	3.099.1067		6	Yes	6		BUSHING
023	3.499.0284		1	Yes	1		PLUG FT80 M.
024	4.507.1067		1	Yes	1		SUPPORT FOR TANK HOLDBACK LEVER - KF85BPLUS
025	3.099.0739		1	Yes	1		HOSE SUPERFLEX KLL M D.38+2 COUPLINGS D.38 L=1701
032	3.002.0707		6	Yes	12		SCREW TC-TC M6X20 BLACK PLASTIC
037	5.511.1251	5.511.1390	1	Yes	1	EXT	SUCTION MOTOR ASSEMBLY
039	5.511.1763		1	Yes	1	EXT	DRAINPIPE
040	5.511.0203		2	Yes	1		RECOVERY TANK CAP ASSEMBLY
041	4.507.1068		1	Yes	1		TANK HOLDBACK LEVER - KF85BPLUS
042	4.508.0932		1	Yes	1		SEAT
044	4.508.0742		1	Yes	1	ORD	SUCTION FILTER - KF85BPLUS
048	5.511.1843		1	Yes	1	EXT	COMPLETE DASHBOARD
052	4.507.1066		1	Yes	1		SLIDE FOR TANK HOLDBACK LEVER- KF85BPLUS
055	3.003.0402		2	Yes	2		NUT MB24x2 UNI 5589 INOX -DANY024001-
056	4.507.0301		1	Yes	1		SQUEEGEE SPRING

KF85BPLUS - Content filters: validity 07/03/2017

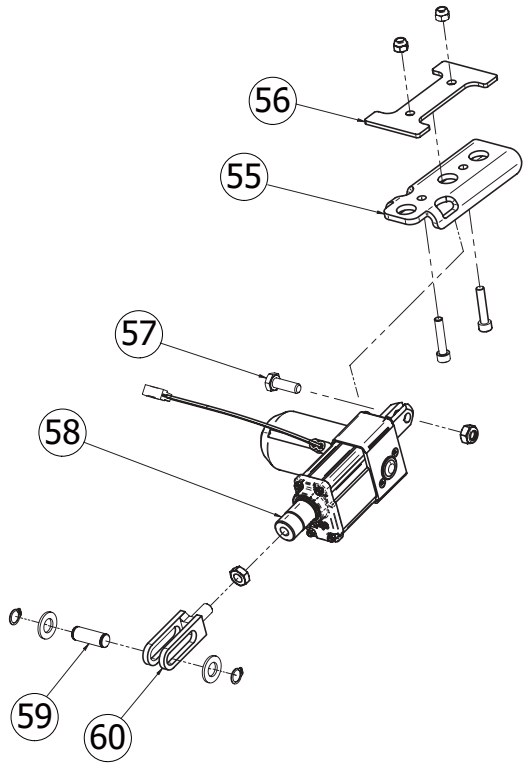
D55090011/01



KF85BPLUS - Content filters: validity 07/03/2017

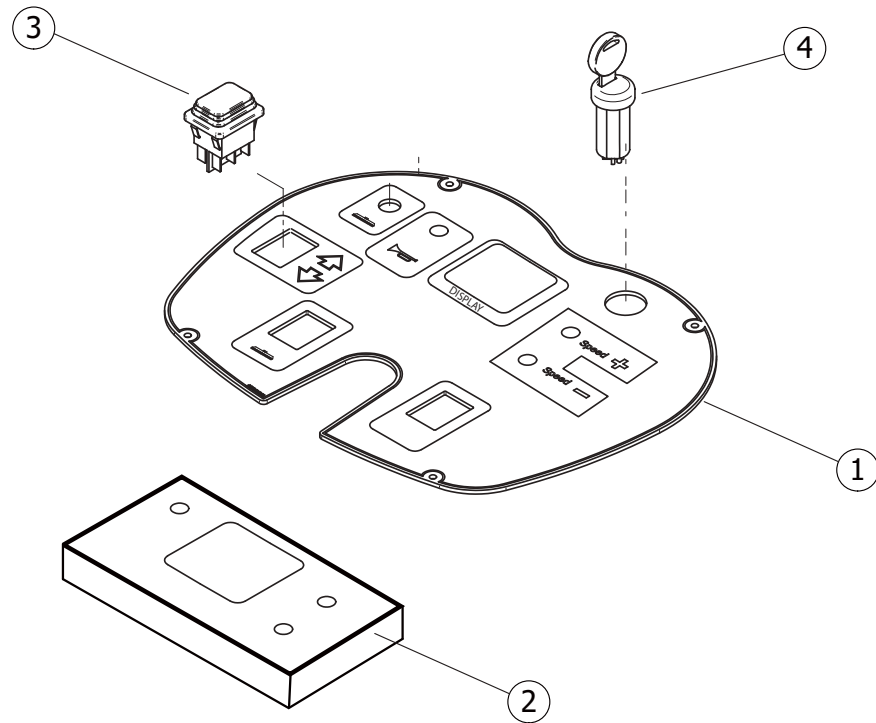
Pos.	Code	Substituted by	Q.ty	Purchasable	Min. Q.ty	For mainten.	Description
060	3.499.0427		1	Yes	1		ACTUATOR 24V C80 S16 F90
061	4.508.1067		1	Yes	6		SQUEEGEE ACTUATOR SPACER
062	4.507.1306		1	Yes	1		SQUEEGEE CABLE BUSHING
063	4.507.0359		1	Yes	6		ADJUSTING SCREW
064	3.099.1506		1	Yes	1		SQUEEGEE CABLE SHEATH
065	3.099.1507		1	Yes	1	EXT	SQUEEGEE CABLE

D55110010/01



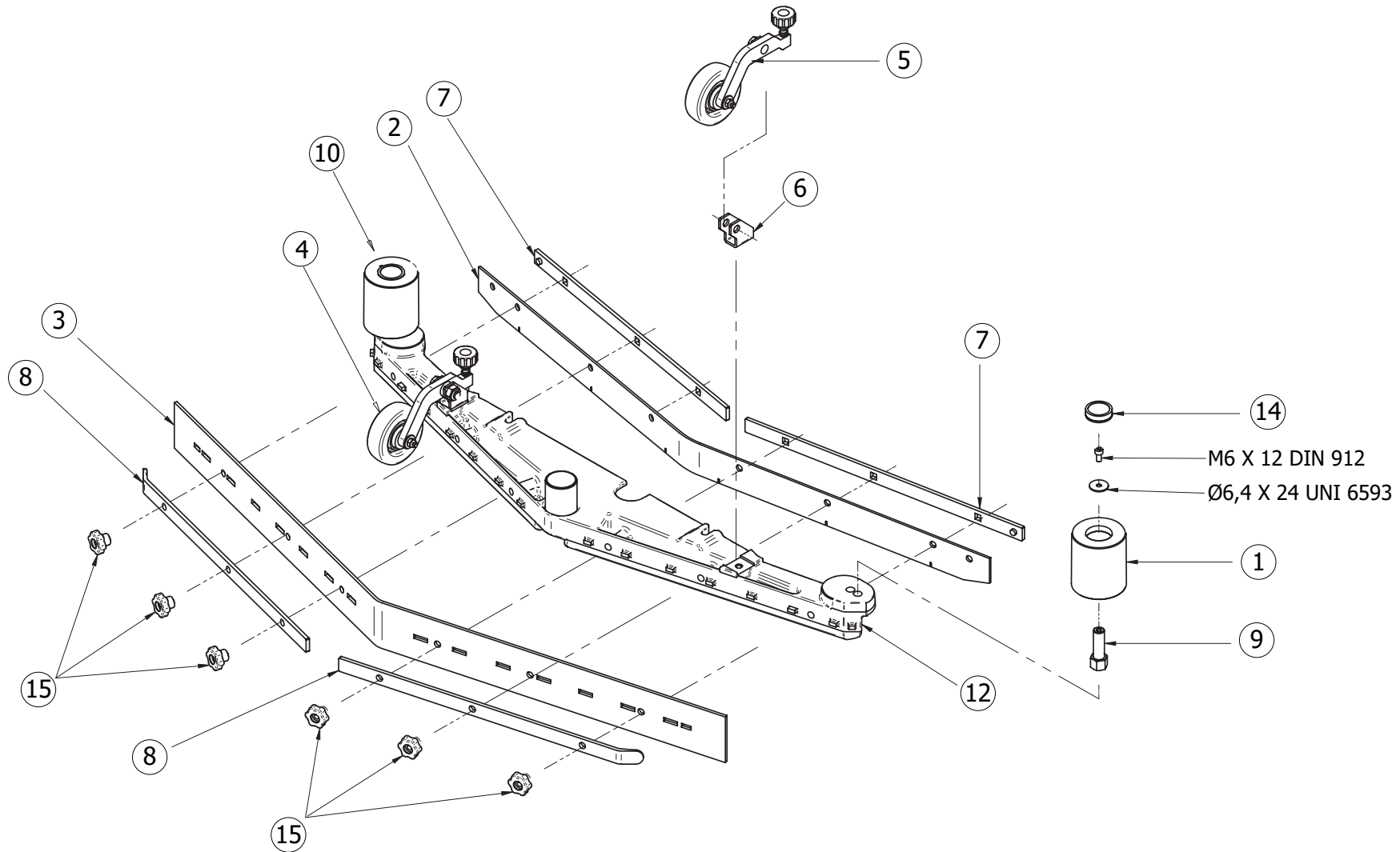
Pos.	Code	Substituted by	Q.ty	Purchasable	Min. Q.ty	For mainten.	Description
055	5.513.0251		1	Yes	1		HINGE SUPPORT
056	4.507.1313		1	Yes	1		SUPPORT PLATE
057	3.002.0533		1	Yes	6		SCREW TE M10X30 UNI 5739 INOX
058	3.499.0426		1	Yes	1		ACTUATOR 24V C50 S10
059	4.507.0249		1	Yes	2		PIN
060	5.513.0193		1	Yes	1		ACTUATOR HOLDER

D55110015/01



Pos.	Code	Substituted by	Q.ty	Purchasable	Min. Q.ty	For mainten.	Description
001	5.511.1863		1	Yes	1		ASSIEME PIASTRA-ADESIVO CRUSCOTTO
002	4.515.0007		1	Yes	1		FUNCTION KEYBOARD
003	3.401.0224		1	Yes	1		DOUBLE-POLE SWITCH 250V 16A POS.I/0/II
004	3.499.0547		1	Yes	1		IGNITION KEY FOR ELECTRONIC DASHBOARD CARD

D55110012/01

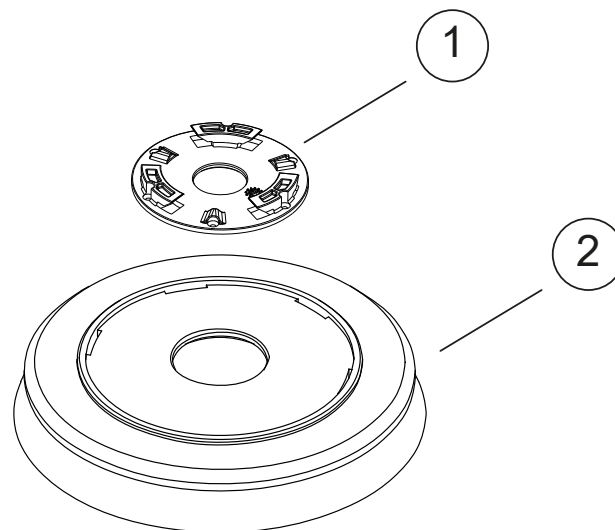


KF85BPLUS - Content filters: validity 07/03/2017

Pos.	Code	Substituted by	Q.ty	Purchasable	Min. Q.ty	For mainten.	Description
001	4.508.1210		2	Yes	1	EXT	BUMPER WHEEL
002	4.508.1196		1	Yes	2	ORD	FRONT SQUEEGEE BLADE
003	4.508.1195		1	Yes	1	ORD	REAR SQUEEGEE BLADE
005	5.511.1067		2	Yes	1	EXT	SQUEEGEE WHEEL ASSEMBLY
006	4.507.0986		2	Yes	1		WHEEL LEVER SUPPORT
007	4.507.1032		2	Yes	1		FRONT HANGER OF LOCKING
008	4.507.1031		2	Yes	1		REAR HANGER OF LOCKING
009	4.507.0361		2	Yes	2		BUMPER WHEEL SUPPORT
012	4.505.0179		1	Yes	1		SQUEEGEE
014	3.099.1399		2	Yes	12		CAP FOR BUMPER WHEEL
015	3.099.0467		6	Yes	2		KNOB M8

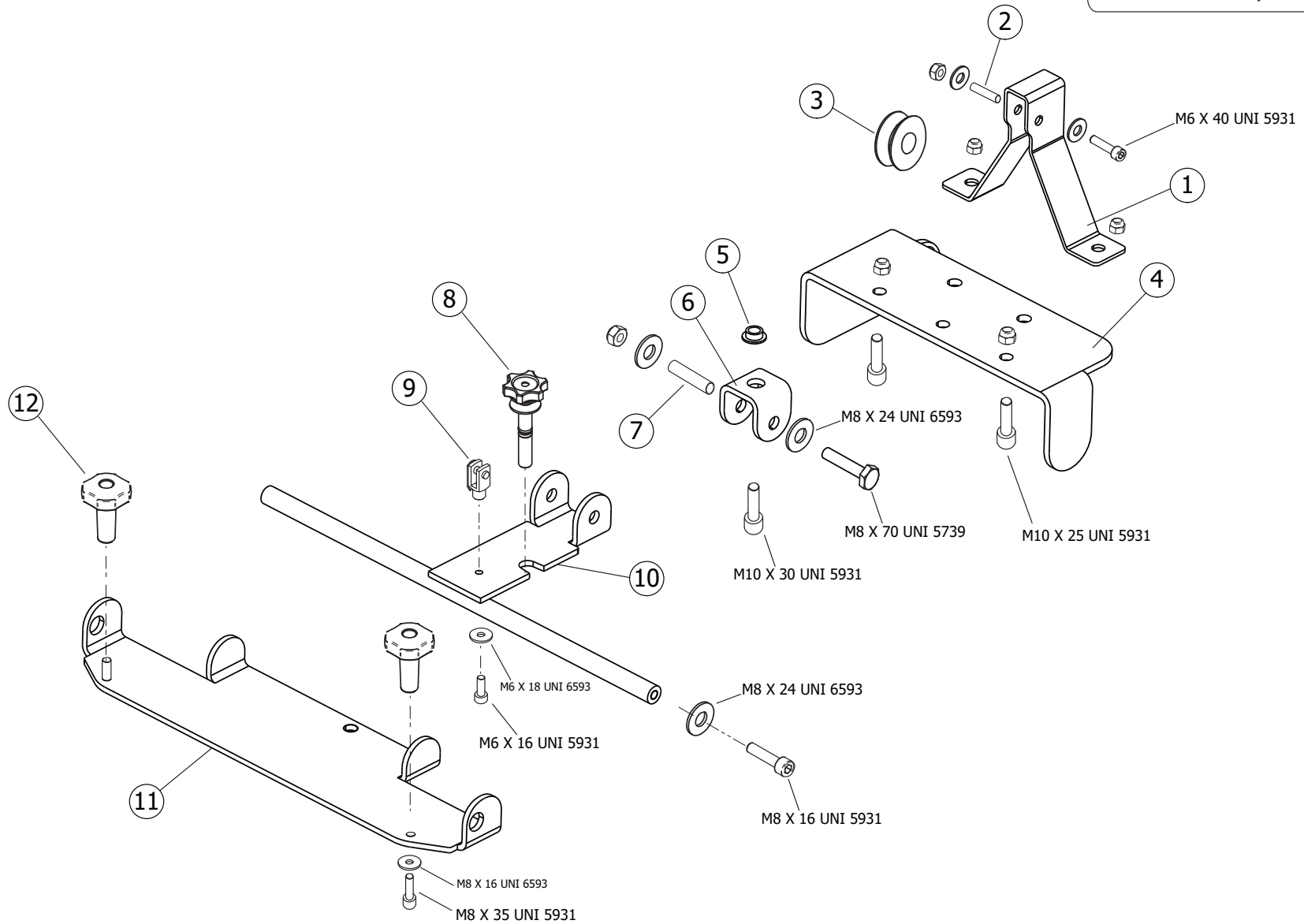
KF85BPLUS - Content filters: validity 07/03/2017

D55110033/01



Pos.	Code	Substituted by	Q.ty	Purchasable	Min. Q.ty	For mainten.	Description
001	4.508.1192		1	Yes	2	EXT	UNIFIED FLANGE FOR BRUSH COUPLING
002	3.602.0068		1	Yes	1		SPAZZOLA PPL CORPO 430mm IMPR.TERRA 430 mm

D55110011/01



KF85BPLUS - Content filters: validity 07/03/2017

Pos.	Code	Substituted by	Q.ty	Purchasable	Min. Q.ty	For mainten.	Description
001	4.507.1540		1	Yes	1		BRACKET FOR LIFTING SQUEEGEE CABLE
002	4.506.0218		1	Yes	5		PIN FOR SQUEEGEE WHEEL
003	4.508.1616		1	Yes	1		PULLEY FOR SQUEEGEE
004	4.507.1529		1	Yes	1		SQUEEGEE BRACKET LIFT
005	4.506.0274		1	Yes	7		BUSH D.20 - d.14 - H.7 mm
006	4.507.1539		1	Yes	1		SQUEEGEE ROTATION SUPPORT
007	4.507.1537		1	Yes	1		CILINDRIC BUSHING EXT.D.11 - INT.D.9 - H=55,5 mm
008	5.511.1858		1	No			SQUEEGEE AJUSTING SET 09/06
009	3.099.0337		1	Yes	3		WATER GEAR CONTROL M6+CLIP
010	5.513.0309		1	Yes	1		AXIS W/SQG BRACKET
011	4.507.1528		1	Yes	1		SQUEEGEE SUPPORT
012	3.099.1265		2	Yes	4		KNOB D.52 M8

Code	Parts Table	Pos.	Q.ty
3.001.0053	R55092151	032	2
3.002.0533	R55111602	057	1
3.002.0707	R55092162	032	6
3.003.0402	R55092162	055	2
3.099.0337	R55111846	009	1
3.099.0467	R55111596	015	6
3.099.0739	R55092162	025	1
3.099.0832	R55092152	039	1
3.099.0862	R55092152	038	1
3.099.0870	R55111857	001	1
3.099.1028	R55092152	037	1
3.099.1032	R55111170	022	2
3.099.1067	R55092162	022	6
3.099.1223	R55092151	016	1
3.099.1250	R55092152	036	1
3.099.1260	R55092162	021	1
3.099.1265	R55111846	012	2
3.099.1399	R55111596	014	2
3.099.1402	R55111170	025	1
3.099.1506	R55111601	064	1
3.099.1507	R55111601	065	1
3.100.0119	R55092152	035	1
3.100.0120	R55092152	034	1
3.100.0330	R55111170	020	2
3.100.0355	R55111170	017	1
3.102.0009	R55092152	032	1
3.105.0009	R55092152	031	1
3.200.0124	R55092152	030	1
3.200.0127	R55111857	007	1
3.200.0187	R55111170	023	2
3.401.0076	R55092151	015	1

Code	Parts Table	Pos.	Q.ty
3.401.0224	R55111859	003	1
3.406.0032	R55092152	029	2
3.412.0027	R55111170	021	2
3.499.0187	R55092162	020	1
3.499.0241	R55092151	014	1
3.499.0283	R55092162	018	1
3.499.0284	R55092162	023	1
3.499.0285	R55092162	019	1
3.499.0400	R55092162	017	2
3.499.0401	R55092162	016	1
3.499.0426	R55111602	058	1
3.499.0427	R55111601	060	1
3.499.0547	R55111859	004	1
3.602.0068	R55111688	002	1
4.505.0179	R55111596	012	1
4.505.0196	R55092152	028	1
4.505.0239	R55092162	015	1
4.505.0875	R55092152	026	1
4.506.0034	R55092162	014	1
4.506.0063	R55092152	024	1
4.506.0136	R55092152	023	1
4.506.0153	R55092152	022	1
4.506.0210	R55092152	021	4
4.506.0218	R55111846	002	1
4.506.0241	R55092162	012	3
4.506.0274	R55111846	005	1
4.506.0275	R55092152	033	4
	R55111170	019	2
4.507.0249	R55111602	059	1
4.507.0300	R55111857	003	1
4.507.0301	R55092162	056	1

Code	Parts Table	Pos.	Q.ty
4.507.0359	R55092151	010	1
	R55111601	063	1
4.507.0361	R55092157	011	2
	R55111596	009	2
4.507.0365	R55092157	013	2
4.507.0596	R55092151	009	2
4.507.0741	R55092151	008	1
4.507.0743	R55092151	007	1
4.507.0745	R55092151	005	2
4.507.0761	R55092162	010	1
4.507.0763	R55092152	017	2
4.507.0764	R55092152	016	2
4.507.0766	R55092152	015	1
4.507.0767	R55092152	014	1
4.507.0835	R55092151	004	1
4.507.0986	R55111596	006	2
4.507.1031	R55111596	008	2
4.507.1032	R55111596	007	2
4.507.1048	R55092162	011	1
4.507.1066	R55092162	052	1
4.507.1067	R55092162	024	1
4.507.1068	R55092162	041	1
4.507.1074	R55092157	014	2
4.507.1144	R55092152	013	1
4.507.1226	R55092152	062	1
4.507.1282	R55111170	018	1
4.507.1306	R55111601	062	1
4.507.1313	R55111602	056	1
4.507.1469	R55111857	004	1
4.507.1470	R55111857	002	1
4.507.1528	R55111846	011	1

Code	Parts Table	Pos.	Q.ty
4.507.1529	R55111846	004	1
4.507.1536	R55092157	010	1
4.507.1537	R55111846	007	1
4.507.1539	R55111846	006	1
4.507.1540	R55111846	001	1
4.508.0224	R55092157	012	4
4.508.0290	R55111857	005	1
4.508.0314	R55111857	006	1
4.508.0625	R85763103	001	1
4.508.0649	R55092152	009	2
4.508.0650	R55092152	008	2
4.508.0657	R55092152	007	1
4.508.0658	R55092151	003	1
4.508.0660	R55092152	006	4
4.508.0661	R55092152	005	2
4.508.0742	R55092162	044	1
4.508.0932	R55092162	042	1
4.508.0997	R55092152	004	2
4.508.1067	R55111601	061	1
4.508.1192	R55111688	001	1
4.508.1195	R55111596	003	1
4.508.1196	R55111596	002	1
4.508.1210	R55111596	001	2
4.508.1244	R55111170	024	2
4.508.1246	R55092162	008	4
4.508.1388	R55092152	003	2
4.508.1427	R55092152	002	1
4.508.1562	R85763103	002	1
4.508.1616	R55111846	003	1
4.508.1663	R85763103	003	1
4.512.0088	R55111170	016	1

Code	Parts Table	Pos.	Q.ty
4.512.0114	R55092151	015	1
4.515.0007	R55111859	002	1
5.501.0086	R55092157	004	2
5.511.0203	R55092162	040	2
5.511.0619	R55092152	061	1
5.511.0723	R85763103	006	2
5.511.0808	R55092151	002	1
5.511.1067	R55111596	005	2
5.511.1170	R55092157	015	1
5.511.1251	R55092162	037	1
5.511.1431	R55092152	063	1
5.511.1438	R55092162	003	1
5.511.1688	R85763103	005	2
5.511.1763	R55092162	039	1
5.511.1842	R55092151	006	1
5.511.1843	R55092162	048	1
5.511.1854	R55092157	002	2
5.511.1857	R55092157	005	2
5.511.1858	R55111846	008	1
5.511.1860	R55092152	060	1
5.511.1863	R55111859	001	1
5.513.0193	R55111602	060	1
5.513.0251	R55111602	055	1
5.513.0309	R55111846	010	1
5.513.0310	R55092157	001	1



KRÜGER TECHNOLOGY S.L.
B-82526583
Polígono Agustinos C/G Parcela B2
31013 Pamplona (Navarra) - ESPAÑA
+34 948 343 393 - info@kruger.es - www.kruger.es