



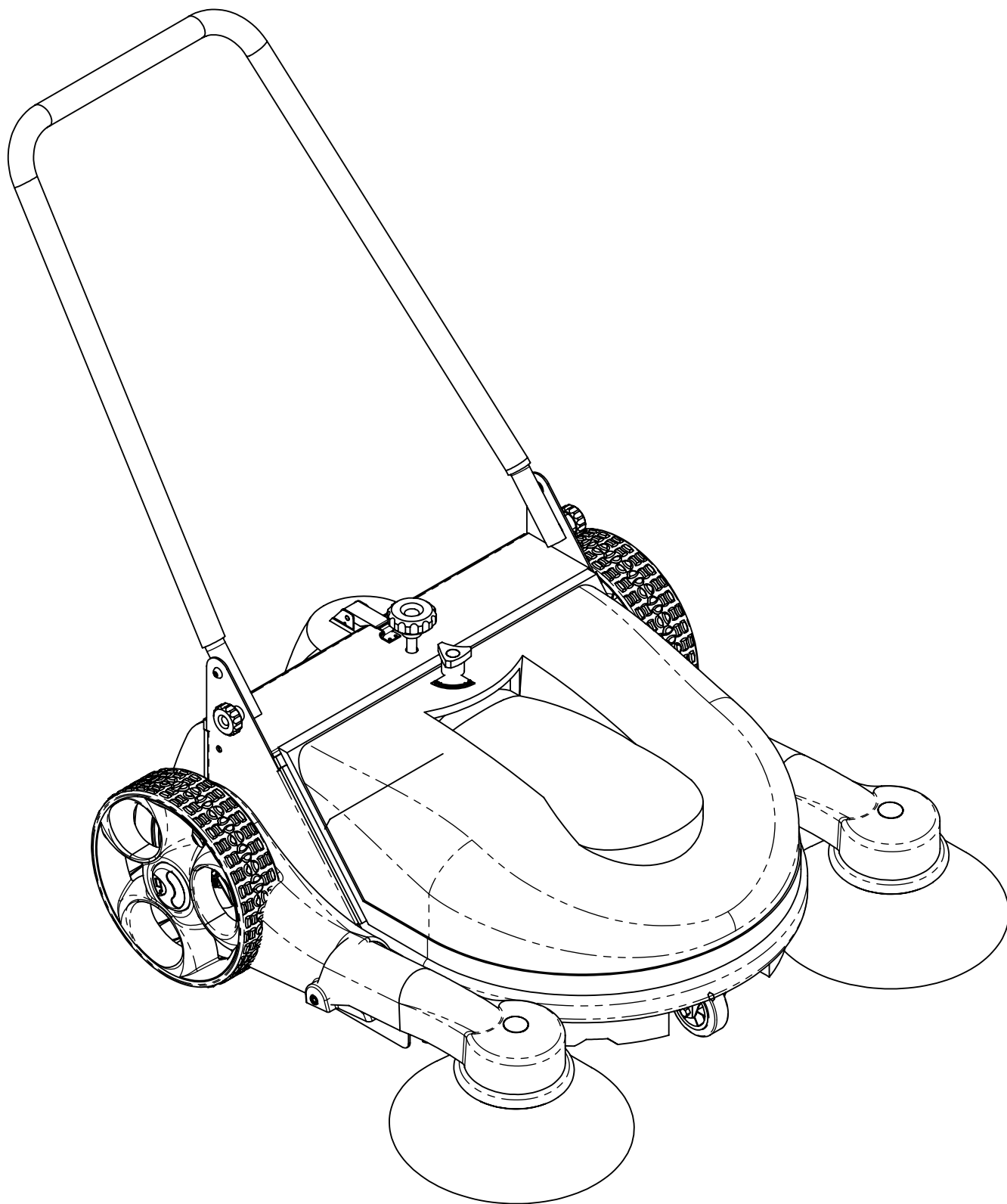
DESPIECE TÉCNICO

BARREDORA

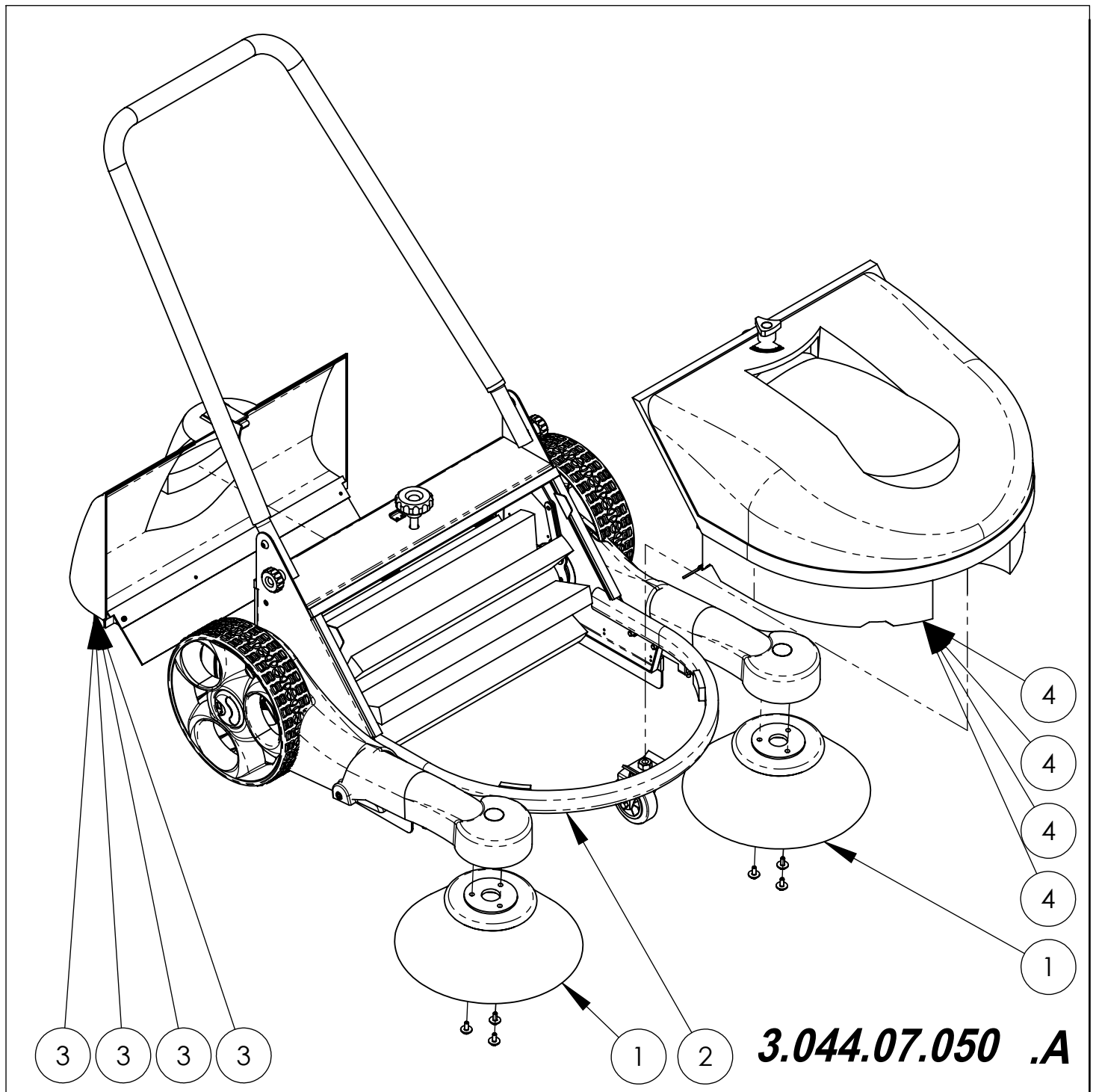
**KBM950**



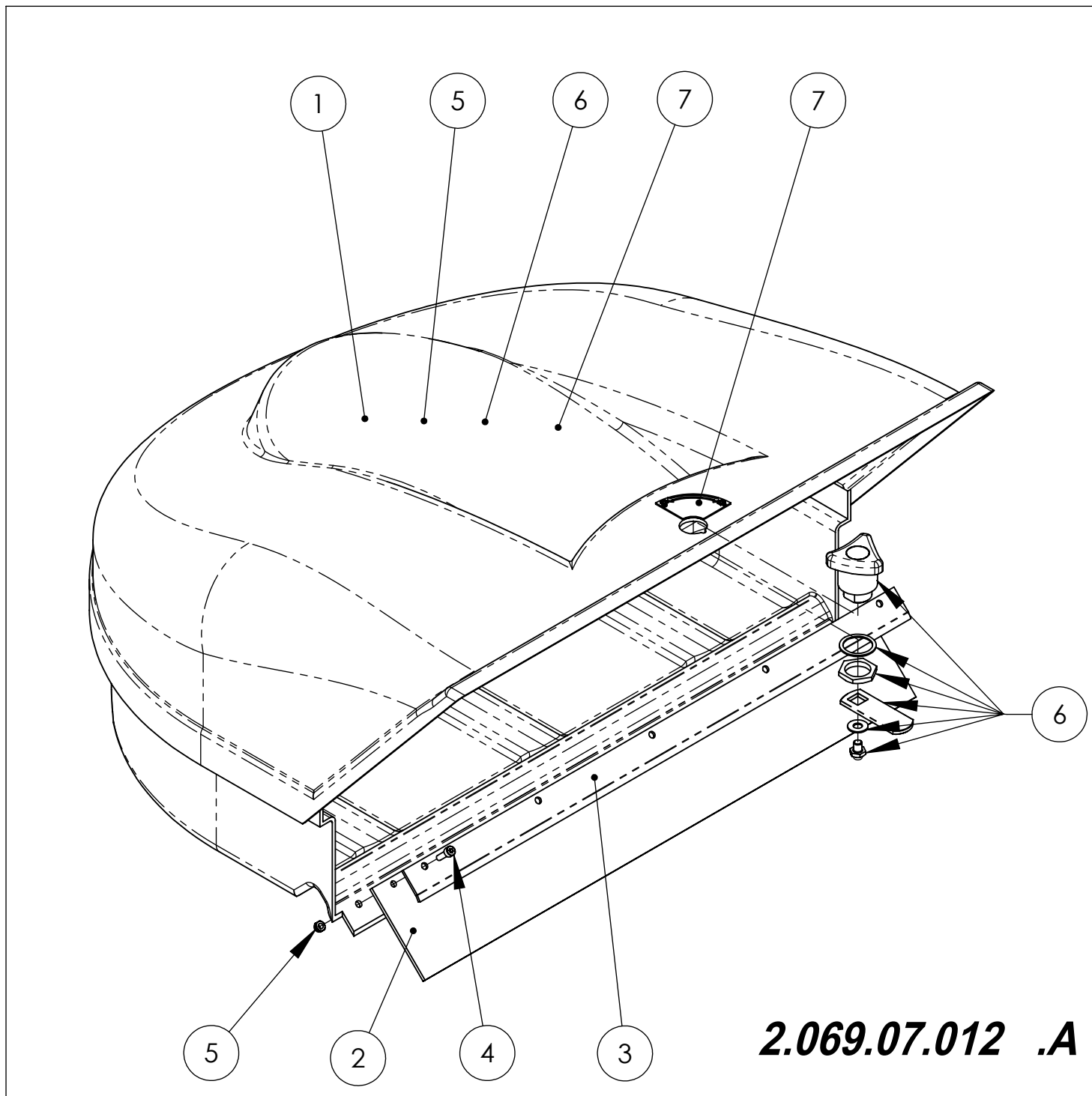




**3.044.07.050 .A**

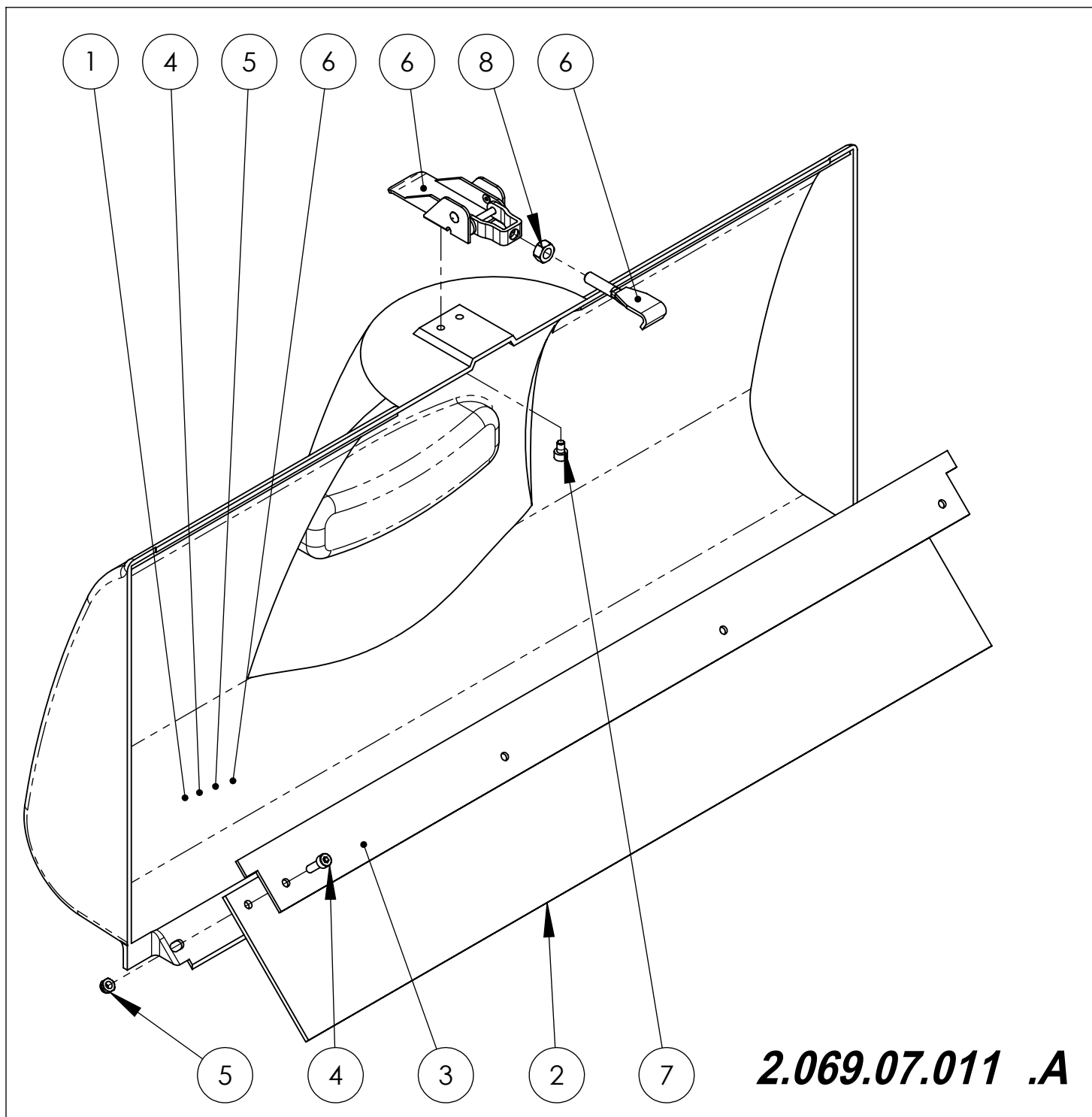


Pos.	Q.tà	Code	ITALIANO	ENGLISH	DEUTSCH	ESPAÑOL	FRANCAIS
1	2	<b>4.065.07.001</b>	Spazzola Laterale PPL 0.50 ø300	Side brush PPL 0.50 ø300	Seitliche Bürste PPL 0.50 ø300	Cepillo lateral PPL 0.50 ø300	Brosse latérale PPL 0.50 ø300
2	1	<b>2.067.07.012</b>	Spazzatrice Premontata Flash95M	Preassembled Sweeper Flash95M	Vormontierung Kehmaschine Flash95M	Preensamblado Barredora Flash95M	Préassemblé Balayeuse Flash95M
3	1	<b>2.069.07.011</b>	Cassetto posteriore blu Flash 950M	Back deposit blue FLASH 950M	Rückseitiger Ablagerung blau FLASH 950M	Deposito trasero azul FLASH 950M	Dépôt arrier bleu FLASH 950M
3	1	<b>2.069.07.013</b>	Cassetto posteriore rosso Flash 950M	Back deposit red FLASH 950M	Rückseitiger Ablagerung rot FLASH 950M	Deposito trasero rojo FLASH 950M	Dépôt arrier rouge FLASH 950M
3	1	<b>2.069.07.014</b>	Cassetto posteriore giallo Flash 950M	Back deposit yellow FLASH 950M	Rückseitiger Ablagerung gelb FLASH 950M	Deposito trasero amarillo FLASH 950M	Dépôt arrier jaune FLASH 950M
3	1	<b>2.069.07.015</b>	Cassetto posteriore verde Flash 950M	Back deposit green FLASH 950M	Rückseitiger Ablagerung grun FLASH 950M	Deposito trasero verde FLASH 950M	Dépôt arrier vert FLASH 950M
4	1	<b>2.069.07.012</b>	Cassetto anteriore blu Flash 950M	Front deposit blue FLASH 950M	Forderer Ablagerung blau FLASH 950M	Deposito delantero azul FLASH 950M	Dépôt avant bleu FLASH 950M
4	1	<b>2.069.07.016</b>	Cassetto Anteriore rosso Flash 950M	Front deposit red FLASH 950M	Forderer Ablagerung rot FLASH 950M	Deposito delantero rojo FLASH 950M	Dépôt avant rouge FLASH 950M
4	1	<b>2.069.07.017</b>	Cassetto Anteriore giallo Flash 950M	Front deposit yellow FLASH 950M	Forderer Ablagerung gelb FLASH 950M	Deposito delantero amarillo FLASH 950M	Dépôt avant jaune FLASH 950M
4	1	<b>2.069.07.018</b>	Cassetto Anteriore verde Flash 950M	Front deposit green FLASH 950M	Forderer Ablagerung grun FLASH 950M	Deposito delantero verde FLASH 950M	Dépôt avant vert FLASH 950M

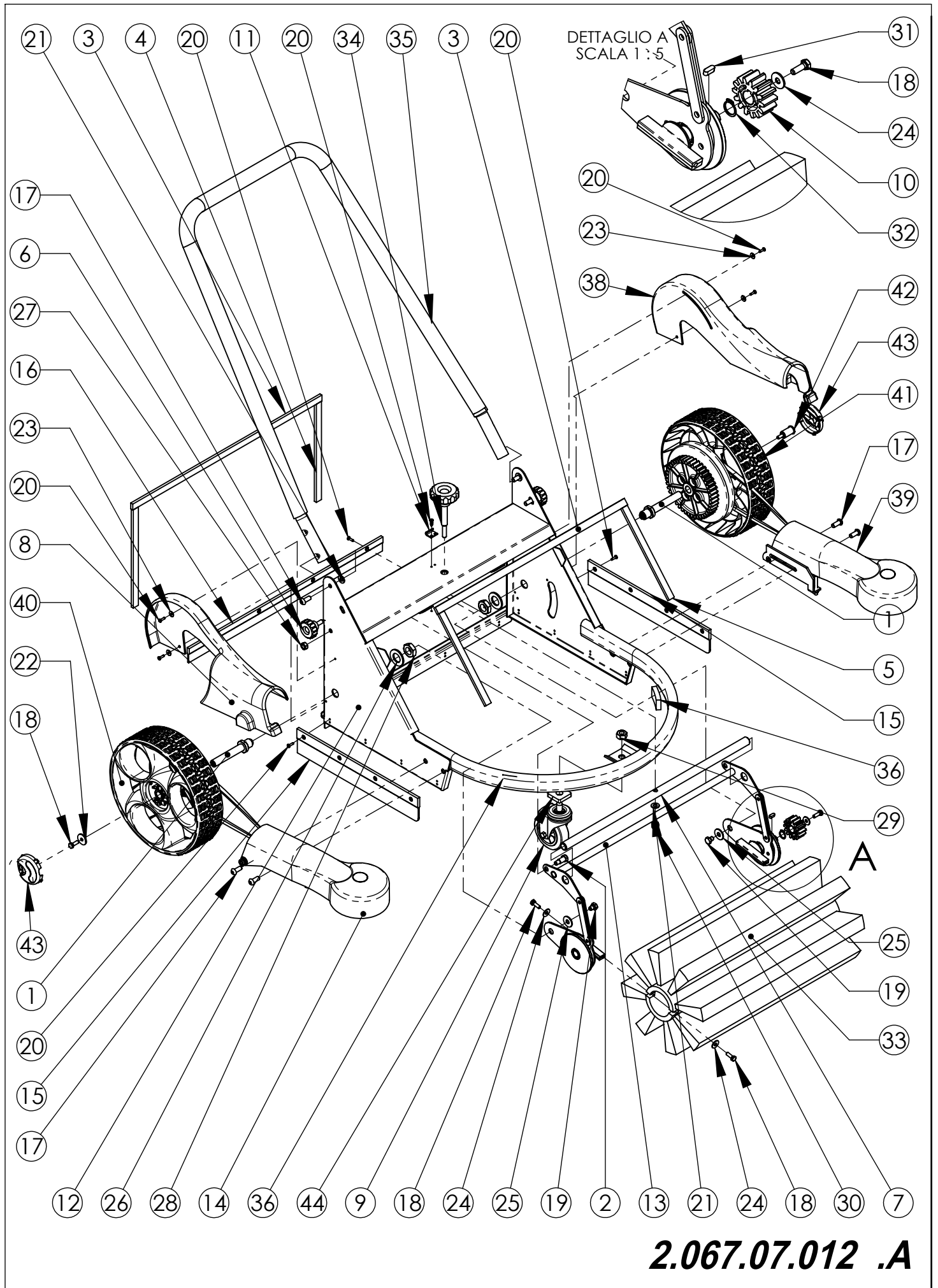


**2.069.07.012 .A**

Pos.	Q.tà	Code	ITALIANO	ENGLISH	DEUTSCH	ESPAÑOL	FRANCAIS
1	1	<b>1.087.07.003</b>	Etichetta	Label	Etikett	Etiqueta	Étiquette
2	1	<b>1.121.07.006</b>	Fascia Anteriore 490x75	Front band 490x75	Vorder Band 490x75	Faja Anterior 490x75	Bande Antérieure 490x75
3	1	<b>1.138.07.005</b>	Piastra L=490	Plate L=490	Platte L=490	Placa L=490	Plat L=490
4	1	<b>1.141.07.003</b>	Cassetto anteriore FLASH 650M BLU	Front deposit FLASH 650M BLU	Forderer Ablagerung FLASH 650M BLAU	Deposito delantero FLASH 650M AZUL	Dépôt avant FLASH 650M BLEU
5	1	<b>1.141.07.005</b>	Cassetto anteriore FLASH 650M GIALLO	Front deposit FLASH 650M YELLOW	Forderer Ablagerung FLASH 650M GELB	Deposito delantero FLASH 650M AMARILLO	Dépôt avant FLASH 650M JAUNE
6	1	<b>1.141.07.006</b>	Cassetto anteriore FLASH 650M ROSSO	Front deposit FLASH 650M RED	Forderer Ablagerung FLASH 650M ROT	Deposito delantero FLASH 650M ROJO	Dépôt avant FLASH 650M ROUGE
7	1	<b>1.141.07.010</b>	Cassetto anteriore FLASH 650M VERDE	Front deposit FLASH 650M GREEN	Forderer Ablagerung FLASH 650M GRÜN	Deposito delantero FLASH 650M VERDE	Dépôt avant FLASH 650M VERT
8	1	<b>2.039.07.002</b>	Volantino	Hand wheel	Handrad	Relleno	Volant
9	5	<b>4.002.12.012</b>	Vite M4x14 UNI5931	Screw M4x14 UNI5931	Schrauben M4x14 UNI5931	Tornillo M4x14 UNI5931	Vis M4x14 UNI5931
10	5	<b>4.009.14.003</b>	Dado M4 UNI7474	Nut M4 UNI7474	Mutter M4 UNI7474	Dado M4 UNI7474	Ecrou M4 UNI7474



Pos.	Q.tà	Code	ITALIANO	ENGLISH	DEUTSCH	ESPAÑOL	FRANCAIS
1	1	<b>1.121.07.007</b>	Fascia Posteriore 510x78	Back band 510x78	Hinter Band 510x78	Faja Posterior 510x78	Bande Postérieure 510x78
2	1	<b>1.138.07.004</b>	Piastra L=510	Plate L=510	Platte L=510	Placa L=510	Plat L=510
3	1	<b>1.141.07.001</b>	Cassetto FLASH 650M	Deposit FLASH 650M	Ablagerung FLASH 650M	Deposito FLASH 650M	Dépôt FLASH 650M
4		<b>1.141.07.007</b>	Cassetto FLASH 650M GIALLO	Deposit FLASH 650M YELLOW	Ablagerung FLASH 650M GELB	Deposito FLASH 650M AMARILLO	Deposito FLASH 650M JAUNE
5		<b>1.141.07.008</b>	Cassetto FLASH 650M ROSSO	Deposit FLASH 650M RED	Ablagerung FLASH 650M ROT	Deposito FLASH 650M ROJO	Deposito FLASH 650M ROUGE
6		<b>1.141.07.011</b>	Cassetto FLASH 650M VERDE	Deposit FLASH 650M GREEN	Ablagerung FLASH 650M GRÜN	Deposito FLASH 650M VERDE	Deposito FLASH 650M VERT
7	1	<b>1.159.07.001</b>	Gancio	Hook	Haken	Gancho	Crochet
8	1	<b>4.002.12.012</b>	Vite M4x14 UNI5931	Screw M4x14 UNI5931	Schrauben M4x14 UNI5931	Tornillo M4x14 UNI5931	Vis M4x14 UNI5931
9	2	<b>4.002.17.007</b>	Vite M4x6 UNI 5931	Screw M4x6 UNI 5931	Schrauben M4x6 UNI 5931	Tornillo M4x6 UNI 5931	Vis M4x6 UNI 5931
10	1	<b>4.009.04.001</b>	Dado M6 UNI5588	Nut M6 UNI5588-65	Mutter M6 UNI5588	Dado M6 UNI5588	Ecrou M6 UNI5588
11	1	<b>4.009.14.003</b>	Dado M4 UNI7474	Nut M4 UNI7474	Mutter M4 UNI7474	Dado M4 UNI7474	Ecrou M4 UNI7474

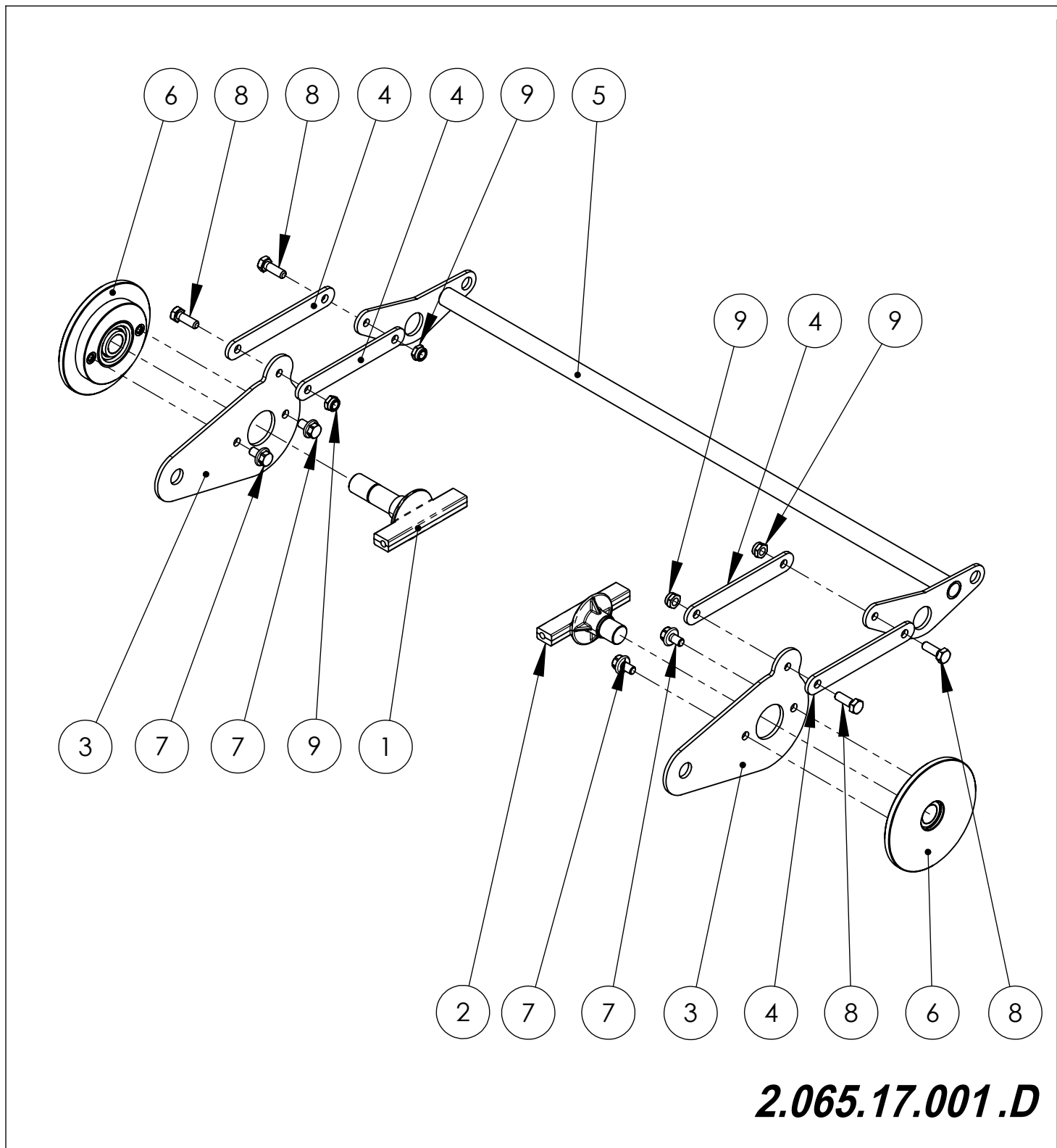


**2.067.07.012 .A**

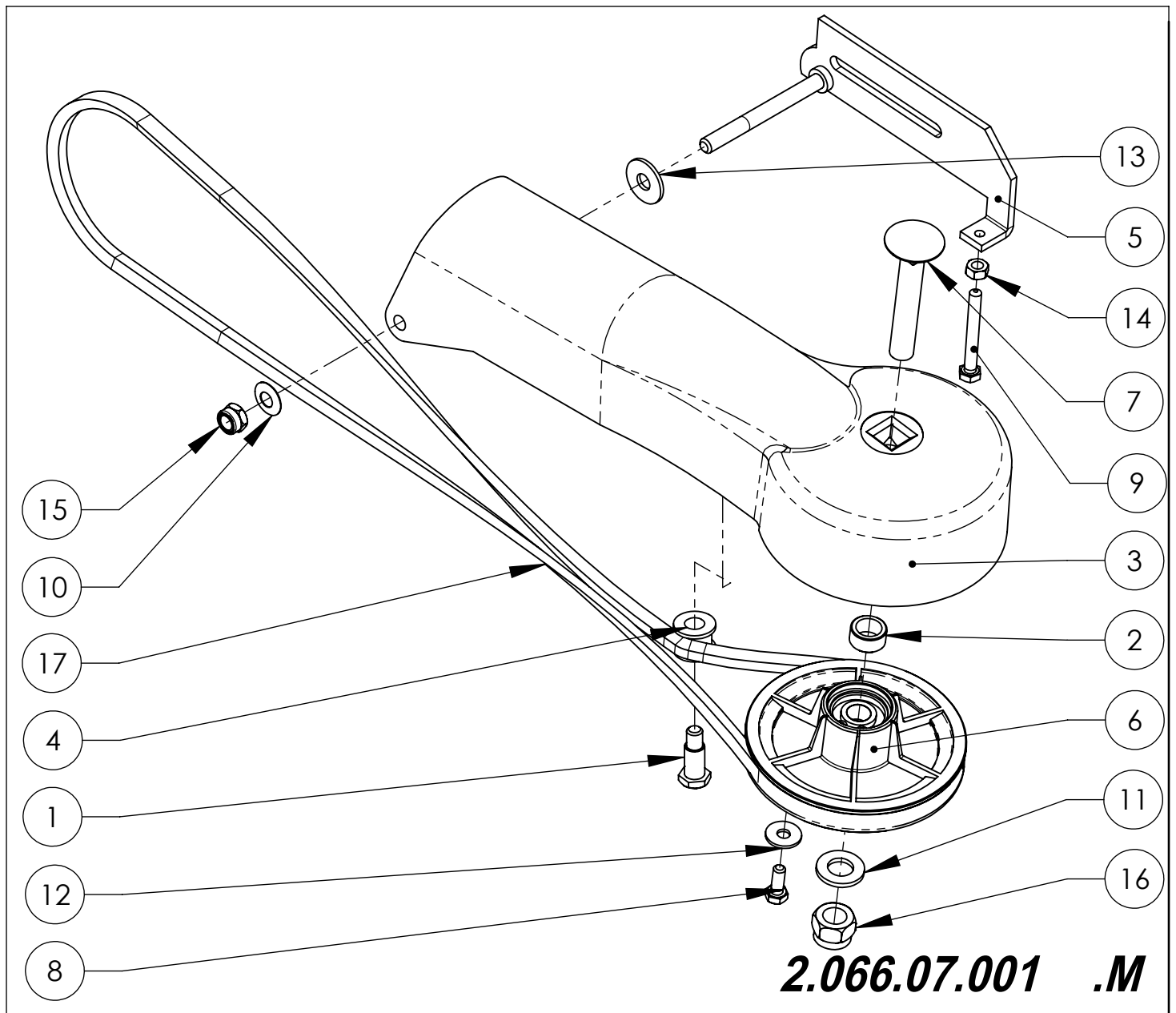


Pos.	Q.tà	Code	ITALIANO	ENGLISH	DEUTSCH	ESPAÑOL	FRANCAIS
1	2	1.002.27.003	Perno FLASH 650M	Pivot FLASH 650M	Stütze FLASH 650M	Gozne FLASH 650M	Pivot FLASH 650M
2	2	1.002.27.020	Perno	Pivot	Stütze	Gozne	Pivot
3	2	1.006.17.001	Guarnizione 15x6 L555	Gasket 15x6 L555	Dichtung 15x6 L555	Guarnición 15x6 L555	Garniture 15x6 L555
4	2	1.006.17.007	Guarnizione 15x6 L=245	Gasket 15x6 L=245	Dichtung 15x6 L=245	Guarnición 15x6 L=245	Garniture 15x6 L=245
5	2	1.006.17.008	Guarnizione 15x6 L=215	Gasket 15x6 L=215	Dichtung 15x6 L=215	Guarnición 15x6 L=215	Garniture 15x6 L=215
6	2	1.021.04.004	Manopola M8x20	Knob M8x20	Griff M8x20	Pomo M8x20	Poignée M8x20
7	1	1.044.27.001	Tubo L=540	Pipe L=540	Rohr L=540	Tubo L=540	Tuyau L=540
8	1	1.075.07.002	Carter Protezione FLASH 650M	Front Cover FLASH 650M	Frontalmantel FLASH 650M	Carter frontal FLASH 650M	Capot anterior FLASH 650M
9	1	1.086.07.002	Ruota girevole ø80	Revolving wheel ø80	Drehbares Rad ø80	Rueda giratoria ø80	Roue pivotante ø80
10	1	1.122.07.001	Pignone Z14	Pinion Z14	Ritzel Z14	Piñón Z14	Pignon Z14
11	1	1.126.07.002	Gancio	Hook	Haken	Gancho	Crochet
12	1	2.015.07.002	Telaio FLASH 650M	Frame FLASH 650M	Rahmen FLASH 650M	Estructura FLASH 650M	Chassis FLASH 650M
13	1	2.065.17.001	Bilanciere FLASH 650M	Balance wheel FLASH 650M	Schwinghebel FLASH 650M	Balancín FLASH 650M	Balancier FLASH 650M
14	1	2.066.07.001	Braccio FLASH 650M	Arm FLASH 650M	Arm FLASH 650M	Brazo FLASH 650M	Bras FLASH 650M
15	2	2.075.07.001	Fascia Laterale FLASH 650M	Side Band FLASH 650M	Seitliche Band FLASH 650M	Faja lateral FLASH 650M	Bande latérale FLASH 650M
16	1	2.075.07.002	Fascia Posteriore FLASH 650M	Back band FLASH 650M	Hinter Band FLASH 650M	Faja Posterior FLASH 650M	Bande Postérieure FLASH 650M
17	6	4.002.14.024	Vite M8x20 ISO7380	Screw M8x20 ISO7380	Schrauben M8x20 ISO7380	Tornillo M8x20 ISO7380	Vis M8x20 ISO7380
18	6	4.002.44.003	Vite M6x18 UNI5739	Screw M6x18 UNI5739	Schrauben M6x18 UNI5739	Tornillo M6x18 UNI5739	Vis M6x18 UNI5739
19	2	4.002.47.005	Vite M8x10 UNI5739	Screw M8x10 UNI5739	Schrauben M8x10 UNI5739	Tornillo M8x10 UNI5739	Vis M8x10 UNI5739
20	18	4.002.94.022	Vite autofilettante 3.5x13 B	Self-tapping Screw 3.5x13 B	Selbschneidendeschraube 3.5x13 B	Tornillo autoblocante 3.5x13 B	Vis autofiletant 3.5x13 B
21	3	4.008.04.002	Rondella M8 UNI6592	Washer M8 UNI6592	Unterlegscheibe M8 UNI6592	Arandela M8 UNI6592	Rondelle M8 UNI6592
22	1	4.008.04.003	Rondella M6 UNI6593	Washer M6 UNI6593	Unterlegscheibe M6 UNI6593	Arandela M6 UNI6593	Rondelle M6 UNI6593
23	4	4.008.07.003	Rondella ø4xø12x1	Washer ø4xø12x1	Unterlegscheibe ø4xø12x1	Arandela ø4xø12x1	Rondelle ø4xø12x1
24	5	4.008.24.001	Rondella M6 UNI6593	Washer M6 UNI6593	Unterlegscheibe M6 UNI6593	Arandela M6 UNI6593	Rondelle M6 UNI6593
25	2	4.008.24.002	Rondella ø8.5x24x2.5 6593	Washer ø8.5x24x2.5 6593	Unterlegscheibe ø8.5x24x2.5 6593	Arandela ø8.5x24x2.5 6593	Rondelle ø8.5x24x2.5 6593
26	2	4.008.24.003	Rondella M20 UNI6592	Washer M20 UNI6592	Unterlegscheibe M20 UNI6592	Arandela M20 UNI6592	Rondelle M20 UNI6592
27	2	4.009.02.002	Dado M8 UNI5588	Nut M8 UNI5588	Mutter M8 UNI5588	Dado M8 UNI5588	Ecrou M8 UNI5588
28	2	4.009.07.001	Dado M18 UNI 5589-65 ZEG	Nut M18 UNI 5589-65 ZEG	Mutter M18 UNI 5589-65 ZEG	Dado M18 UNI 5589-65 ZEG	Ecrou M18 UNI 5589-65 ZEG
29	1	4.009.07.002	Dado M12 UNI 5588-65	Nut M12 UNI 5588-65	Mutter M12 UNI 5588-65	Dado M12 UNI 5588-65	Ecrou M12 UNI 5588-65
30	1	4.009.14.001	Dado M8 UNI7473	Nut M8 UNI7473	Mutter M8 UNI7473	Dado M8 UNI7473	Ecrou M8 UNI7473
31	1	4.021.07.001	Chiavetta A 5x5x14 UNI 6604	Key A 5x5x14 UNI 6604	Keil A 5x5x14 UNI 6604	Chaveta A 5x5x14 UNI 6604	Clavette A 5x5x14 UNI 6604
32	1	4.025.07.002	Seeger A15 UNI 7435-75	Seeger A15 UNI 7435-75	Seeger A15 UNI 7435-75	Seeger A15 UNI 7435-75	Seeger A15 UNI 7435-75
33	1	4.065.07.002	Spazzola ø240x490 (8x0.4)	Brush ø240x490 (8x0.4)	Bürste ø240x490 (8x0.4)	Cepillo ø240x490 (8x0.4)	Brosse ø240x490 (8x0.4)
34	1	2.039.07.004	Manopola regolazione spazzola Flash950M	Knob adjustment brush Flash950M	Knopf Anpassung Pinsel Flash950M	Perilla de ajuste de pincel Flash950M	Bouton de réglage de brosse Flash950M
35	1	1.095.07.001	Manico	Handle	Griff	Manija	Manche
36	2	1.006.17.017	Guarnizione 50X10X25	Gasket 50X10X25	Dichtung 50X10X25	Guarnición 50X10X25	Garniture 50X10X25
38	1	1.075.07.008	Carter SX - FLASH650M-2	Guard SX - FLASH650M-2	Gehäuse SX - FLASH650M-2	Càrter SX - FLASH650M-2	Carter SX - FLASH650M-2
39	1	2.066.07.004	Braccio (SX) FLASH950M	Arm (SX) FLASH950M	Arm (SX) FLASH950M	Brazo (SX) FLASH950M	Bras (SX) FLASH950M
40	1	2.054.07.007	Ruota Flash950M	Wheel Flash950M	Rad Flash950M	Rueda Flash950M	Roue Flash950M
41	1	2.054.07.008	Ruota Flash950M	Wheel Flash950M	Rad Flash950M	Rueda Flash950M	Roue Flash950M
42	1	1.002.27.029	Perno	Pivot	Stütze	Gozne	Pivot
43	2	1.085.07.003	Coprimozzo R	Hub Cap R	Nabe Haus R	Casquillo del cubo R	Enjoliveur de roue R
44	1	1.138.07.048	Piatto	Plate	Platte	Placa	Plaque

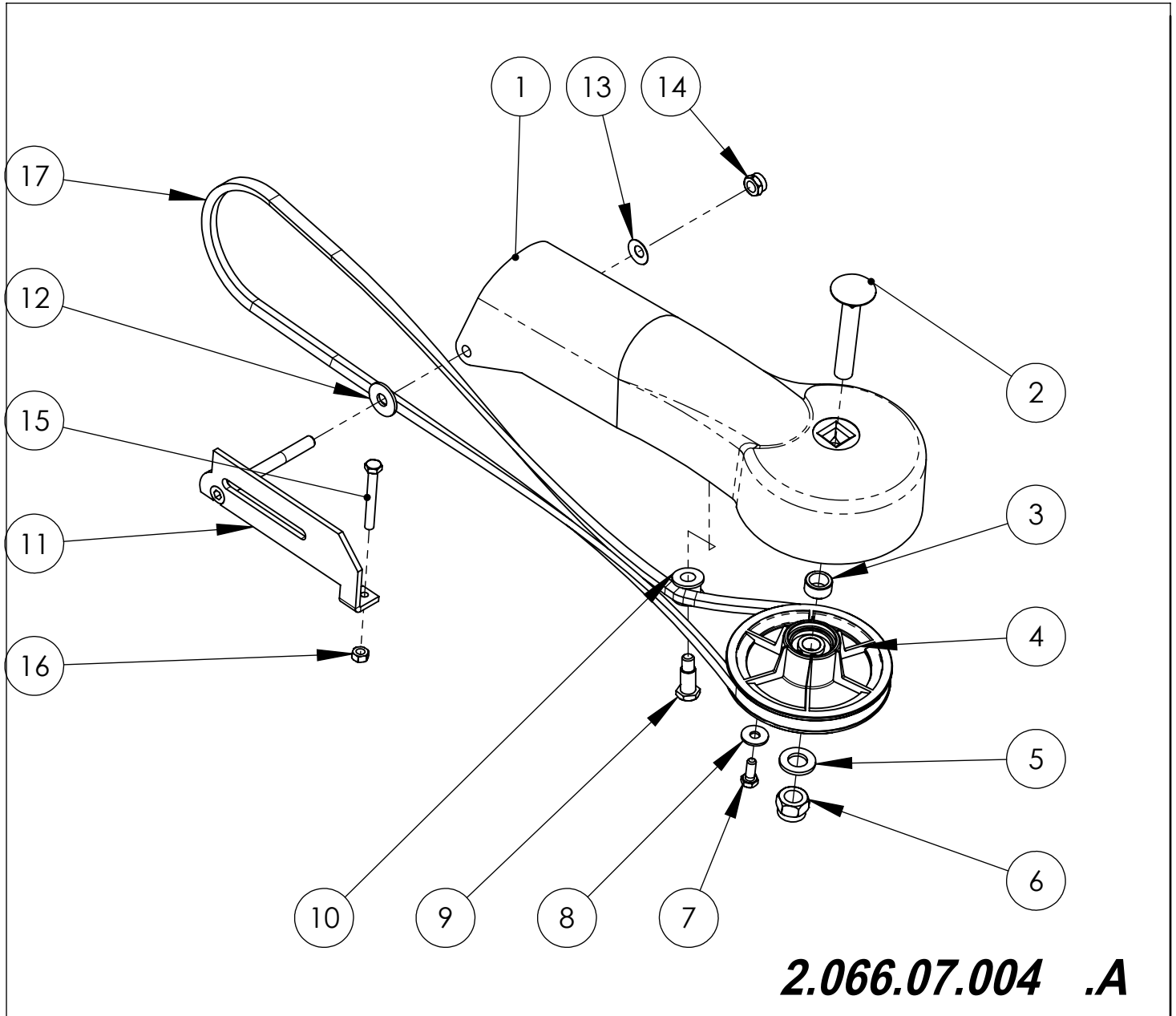




Pos.	Q.tà	Code	ITALIANO	ENGLISH	DEUTSCH	ESPAÑOL	FRANCAIS
1	1	<b>1.002.47.001</b>	Perno Spazzola L=44,2 FLASH 650M	Brush Pivot FLASH 650M	BürsteStütze FLASH 650M	Gozne Cepillo FLASH 650M	Pivot Brosse FLASH 650M
2	1	<b>1.002.47.002</b>	Perno Spazzola L=14 FLASH 650M	Brush Pivot L= FLASH 650M	BürsteStütze L= FLASH 650M	Gozne Cepillo L= FLASH 650M	Pivot Brosse L= FLASH 650M
3	2	<b>1.089.07.001</b>	Staffa	Stirrup	Steigbügel	Estribo	Étrier
4	4	<b>1.138.07.001</b>	Supporto	Support	Halter	Soporte	Support
5	1	<b>1.139.17.001</b>	Bilanciere	Balance wheel	Schwinghebel	Balancin	Balancier
6	2	<b>2.060.07.001</b>	Flangia + SKF 6202-2RS1	Flange + SKF 6202-2RS1	Flansch + SKF 6202-2RS1	Borde + SKF 6202-2RS1	Bride + SKF 6202-2RS1
7	4	<b>4.002.41.001</b>	Vite M6X10 DIN6921	Screw M6X10 DIN6921	Schrauben M6X10 DIN6921	Tornillo M6X10 DIN6921	Vis M6X10 DIN6921
8	4	<b>4.002.44.003</b>	Vite M6x18 UNI5739	Screw M6x18 UNI5739	Schrauben M6x18 UNI5739	Tornillo M6x18 UNI5739	Vis M6x18 UNI5739
9	4	<b>4.009.12.002</b>	Dado M6 UNI7474	Nut M6 UNI7474	Mutter M6 UNI7474	Dado M6 UNI7474	Ecrou M6 UNI7474



Pos.	Q.tà	Code	ITALIANO	ENGLISH	DEUTSCH	ESPAÑOL	FRANCAIS
1	1	<b>1.002.07.001</b>	Perno M8 ø10x17	Pivot M8 ø10x17	Stütze M8 ø10x17	Gozne M8 ø10x17	Pivot M8 ø10x17
2	1	<b>1.060.07.001</b>	Distanziale ø13-ø18x9	Spacer ø13-ø18x9	Distanzstueck ø13-ø18x9	Distanciador ø13-ø18x9	Entretoise ø13-ø18x9
3	1	<b>1.140.07.003</b>	Braccio FLASH 650M	Arm FLASH 650M	Arm FLASH 650M	Brazo FLASH 650M	Bras FLASH 650M
4	1	<b>1.143.07.002</b>	Rullo ø17	Rolling cyl ø17	Rollen zylinder ø17	Cilindro ø17	Cylindre de roulement ø17
5	1	<b>2.024.07.001</b>	Supporto	Support	Halter	Soporte	Support
6	1	<b>2.061.07.004</b>	Puleggia Z100	Pulley Z100	Riemenscheibe Z100	Polea Z100	Poulie Z100
7	1	<b>4.002.07.001</b>	Vite M12x75	Screw M12x75	Schrauben M12x75	Tornillo M12x75	Vis M12x75
8	3	<b>4.002.42.001</b>	Vite M6x16 UNI5739	Screw M6x16 UNI5739	Schrauben M6x16 UNI5739	Tornillo M6x16 UNI5739	Vis M6x16 UNI5739
9	1	<b>4.002.47.007</b>	Vite M6x50 UNI5739	Screw M6x50 UNI5739	Schrauben M6x50 UNI5739	Tornillo M6x50 UNI5739	Vis M6x50 UNI5739
10	1	<b>4.003.11.001</b>	Rondella di sicurezza 16x8.2x0.4	Safety washer 16x8.2x0.4	Sicherheits Scheibe 16x8.2x0.4	Arandela de seguridad 16x8.2x0.4	Rondelle de sûreté 16x8.2x0.4
11	1	<b>4.008.07.001</b>	Rondella M12 UNI6592	Washer M12 UNI6592	Unterlegscheibe M12 UNI6592	Arandela M12 UNI6592	Rondelle M12 UNI6592
12	3	<b>4.008.24.001</b>	Rondella M6 UNI6593	Washer M6 UNI6593	Unterlegscheibe M6 UNI6593	Arandela M6 UNI6593	Rondelle M6 UNI6593
13	1	<b>4.008.24.002</b>	Rondella ø8.5x24x2.5 6593	Washer ø8.5x24x2.5 6593	Unterlegscheibe ø8.5x24x2.5 6593	Arandela ø8.5x24x2.5 6593	Rondelle ø8.5x24x2.5 6593
14	1	<b>4.009.04.001</b>	Dado M6 UNI5588	Nut M6 UNI5588-65	Mutter M6 UNI5588	Dado M6 UNI5588	Ecrou M6 UNI5588
15	1	<b>4.009.12.001</b>	Dado M8 UNI7474	Nut M8 UNI7474	Mutter M8 UNI7474	Dado M8 UNI7474	Ecrou M8 UNI7474
16	1	<b>4.009.17.002</b>	Dado M12 UNI7473	Nut M12 UNI7473	Mutter M12 UNI7473	Dado M12 UNI7473	Ecrou M12 UNI7473
17	1	<b>4.066.07.001</b>	Cinghia Z-55 10x1400	Belt Z-55 10x1400	Riemen Z-55 10x1400	Correa Z-55 10x1400	Courroie Z-55 10x1400



Pos.	Defa ult/Q nta	Code	ITALIANO	ENGLISH	DEUTSCH	ESPAÑOL	FRANCAIS
1	1	1.140.07.003	Braccio FLASH 650M	Arm FLASH 650M	Arm FLASH 650M	Brazo FLASH 650M	Bras FLASH 650M
2	1	4.002.07.001	Vite M12x75	Screw M12x75	Schrauben M12x75	Tornillo M12x75	Vis M12x75
3	1	1.060.07.001	Distanziale ø13-ø18x9	Spacer ø13-ø18x9	Distanzstueck ø13- ø18x9	Distanciador ø13-ø18x9	Entretoise ø13-ø18x9
4	1	2.061.07.004	Puleggia Z100	Pulley Z100	Riemenscheibe Z100	Polea Z100	Poulie Z100
5	1	4.008.07.001	Rondella M12 UNI6592	Washer M12 UNI6592	Unterlegscheibe M12 UNI6592	Arandela M12 UNI6592	Rondelle M12 UNI6592
6	1	4.009.17.002	Dado M12 UNI7473	Nut M12 UNI7473	Mutter M12 UNI7473	Dado M12 UNI7473	Ecrou M12 UNI7473
7	3	4.002.42.001	Vite M6x16 UNI5739	Screw M6x16 UNI5739	Schrauben M6x16 UNI5739	Tornillo M6x16 UNI5739	Vis M6x16 UNI5739
8	3	4.008.24.001	Rondella M6 UNI6593	Washer M6 UNI6593	Unterlegscheibe M6 UNI6593	Arandela M6 UNI6593	Rondelle M6 UNI6593
9	1	1.002.07.001	Perno M8 ø10x17	Pivot M8 ø10x17	Stütze M8 ø10x17	Gozne M8 ø10x17	Pivot M8 ø10x17
10	1	1.143.07.002	Rullo ø17	Rolling cyl ø17	Rollen zylinder ø17	Cilindro ø17	Cylindre de roulement ø17
11	1	2.024.07.011	Supporto (sx) FLASH950M	Support (sx) FLASH950M	Halter (sx) FLASH950M	Soporte (sx) FLASH950M	Support (sx) FLASH950M
12	1	4.008.24.002	Rondella ø8.5x24x2.5 6593	Washer ø8.5x24x2.5 6593	Unterlegscheibe ø8.5x24x2.5 6593	Arandela ø8.5x24x2.5 6593	Rondelle ø8.5x24x2.5 6593
13	1	4.003.11.001	Rondella di sicurezza 16x8.2x0.4	Safety washer 16x8.2x0.4	Sicherheits Scheibe 16x8.2x0.4	Arandela de seguridad 16x8.2x0.4	Rondelle de sûreté 16x8.2x0.4
14	1	4.009.12.001	Dado M8 UNI7474	Nut M8 UNI7474	Mutter M8 UNI7474	Dado M8 UNI7474	Ecrou M8 UNI7474
15	1	4.002.47.007	Vite M6x50 UNI5739	Screw M6x50 UNI5739	Schrauben M6x50 UNI5739	Tornillo M6x50 UNI5739	Vis M6x50 UNI5739
16	1	4.009.04.001	Dado M6 UNI5588	Nut M6 UNI5588-65	Mutter M6 UNI5588	Dado M6 UNI5588	Ecrou M6 UNI5588
17	1	4.066.07.001	Cinghia Z-55 10x1400	Belt Z-55 10x1400	Riemen Z-55 10x1400	Correa Z-55 10x1400	Courroie Z-55 10x1400



KRÜGER TECHNOLOGY S.L.  
B-82526583  
Polígono Agustinos C/G Parcela B2  
31013 Pamplona (Navarra) - ESPAÑA  
+34 948 343 393 - info@kruger.es - www.kruger.es