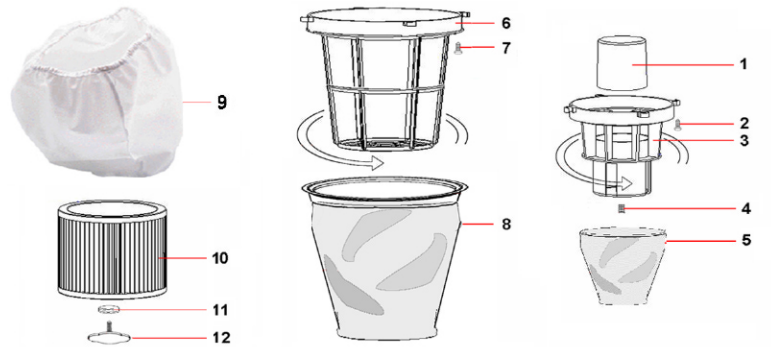
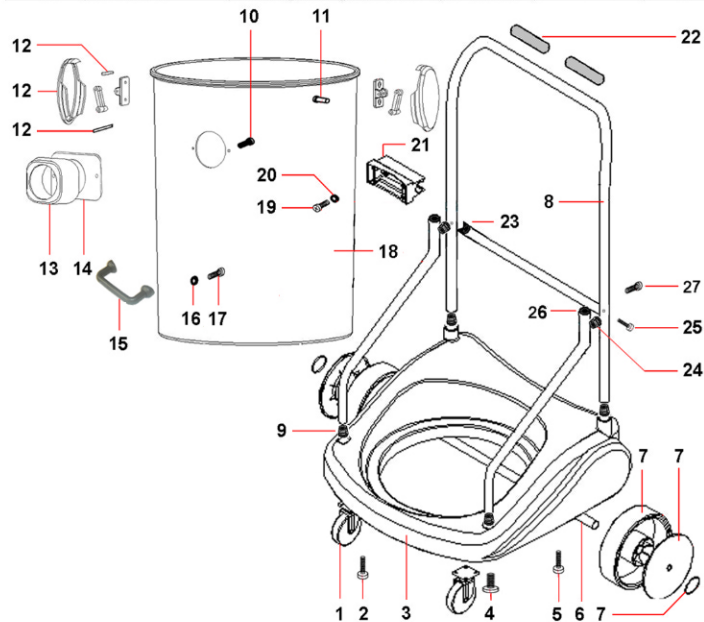


CABEZAL			
POSICIÓN	CÓDIGO	DESCRIPCIÓN	CANT.
1	CVVA520ZN	Self Tipping Screw 5x20 ZN	4
2	CEIND16RB4	Red Light Switch 2P	1
3	CECO016NB4	Bipolar Commutator Black AUT-0-MAN	1
4	CVVA310ZN	Self Tipping Screw 3x10 TS ZC	4
5	CEPS016C/CG	Schuko Socket with cover 16A/250V	1
6	CGLO5931	Trademark ELSEA f to 59x31,5	1
7	CPMA260F2S	Handle Elect 2Hole + Plug Hole Ø260	1
8	CVVA2919ZB	Self Tipping Screw 2,9x19 TC ZB	1
9	CVVA525ZN	Self Tipping Screw 5x25 TC ZN	2
10	CPFC001	Cablefix	1
11	CVVA525ZN	Self Tipping Screw 5x25 TC ZN	4
12	CEKM250E	Complete terminal Board	1
13	CPCO441	Cover Ø441 Exel/verso	1
14	CGPA110	Fairlead	1
15	CGGU370	Filter sponge Ø370mm	1
16	CPST063	Polyethylene stopper Ø63	1
17	CVVA540ZN	Self Tipping Screw 5x40 TC ZN	2
18	CECE315/8,5	Electric cable H05 3x1,5 mm² L=8,5mt	1
19	CVVA550ZN	Self Tipping Screw 5x50 TC ZN	6
20	CVVA312G	Self Tipping Screw 3,5x12 FL	2
21	CESE4094	Electric Tool Card 4094	1
22	CPCM452FP	Motor Cover Ø 452 1hole	1
23	CECC300B	Connection cable L=300 mm White/Red	4
24	CVVA535ZN	Self Tipping Screw 5x35 TC ZN	9
25	CVVA540ZN	Self Tipping Screw 5x40 TC ZN	3
26	CPFM444	Motor Holder D. 444	1
27	CPDA015	Motor plastic spacer ring H=15	2
28	CPFM067	False Motor Ø140 H=67	1
29	MO12382BP	Motor by-pass 2 stages P1200W - PC38	2
30	CPST041	Polyethylene stopper Ø 41	1
31	CGTF145/50	Sound absorbent triangle	3
32	CGGU008L	" L " Gasket s/f h=8	2
33	CVVA540ZN	Self Tipping Screw 5x40 TC ZN	3
34	CPVA050	Automatic valve Ø50	2
35	CVVM520TC	Metric screw M5x20	1
36	CPBM452C	Motor Base Ø452	1
37	CEPS452	Plate of ground	1
38	CPCO328	Conveyor	1
39	CVVA516ZN	Self Tipping Screw 5x16 ZN	12
40	CGGU441	Head/Tank Gasket SBR Ø 441x395x3	1

SET FILTRO POLVO / LÍQUIDO			
POSICIÓN	CÓDIGO	DESCRIPCIÓN	CANT.
1	CPGA080	Float Ø80	1
2	CVVA512ZNF	Self Tipping Screw 5x16 Fungo/FL ZNF	4
3	CPPG168	Float Supporting Ø168	1
4	CVIF810	Threaded insert M8 Ø10 (OPTIONAL)	1
5	ACCA185A	Anti-foam/Liquids cover	1
6	CPTF252	Filter Basket D. 252	1
7	CVVA512ZNF	Self Tipping Screw 5x16 Fungo/FL ZNF	3
8	FA044P	Polyester Filter with ring Ø44	1
9	FINY440AT	Nylon Filter Ø440	1
10	FI250178P	Cartridge filter Polyestere Ø175 H140 (OPTIONAL)	1
11	CGGU1572	Gasket NBR 15x7,8x2 mm (OPTIONAL)	1
12	CVGA820	Cartridge wingnut M8x20 (OPTIONAL)	1



DEPÓSITO Y CARRO EN ACERO INOXIDABLE			
POSICIÓN	CÓDIGO	DESCRIPCIÓN	CANT.
1	CPRU080	Flanged wheel with plate Ø60	2
2	CVVA516ZN	Self Tipping Screw 5x16 TC ZN	8
3	CPCA570B	Trolley	1
4	CVVM820Z	Metric screw M8x20 Zn	1
5	CVVA540ZN	Self Tipping Screw 5x40 TC ZN	2
6	CMTU020	Wheel stand Ø20	1
7	CPRU200/C	Complete Wheel Ø200	2
8	CMMMA025CR	Shackle Ø25	1
9	CPPF825	Threaded plastic point M8 ABS Ø25	2
10	CVVA525ZN	Self Tipping Screw 5x25 TC ZN	2
11	CVRI515	Rivet 4,8x15	4
12	CPGS113/C	Complete Spring Hook	2
13	CPBO045	Inlet	1
14	CGGU045	Gasket inlet Ø45	1
15	CPMA120P/C	Bridge handle complete M120	2
16	CPSO013	Finishing washer Ø13	2
17	CVVA630ZB	Self Tipping Screw 6x30 TC ZB	2
18	CMFU580AIB	Stainless Steel Tank H=580	1
19	CVVA520ZN	Self Tipping Screw 5x20 TC ZN	4
20	CPSO010	Finishing washer Ø10	4
21	CPCR025	Tank rollo hinge Ø25	1
22	CPIM025	Plastic handle Ø25	2
23	CPCT025	Plastic radial connector Ø25	2
24	CPDI025	Spacer Ø25	2
25	CVVA650ZB	Self Tipping Screw 6x50 TC ZB	2
26	CPTT025	Hose stopper Ø25	2
27	CVVA545ZB	Self Tipping Screw 5x45 TC ZB	2