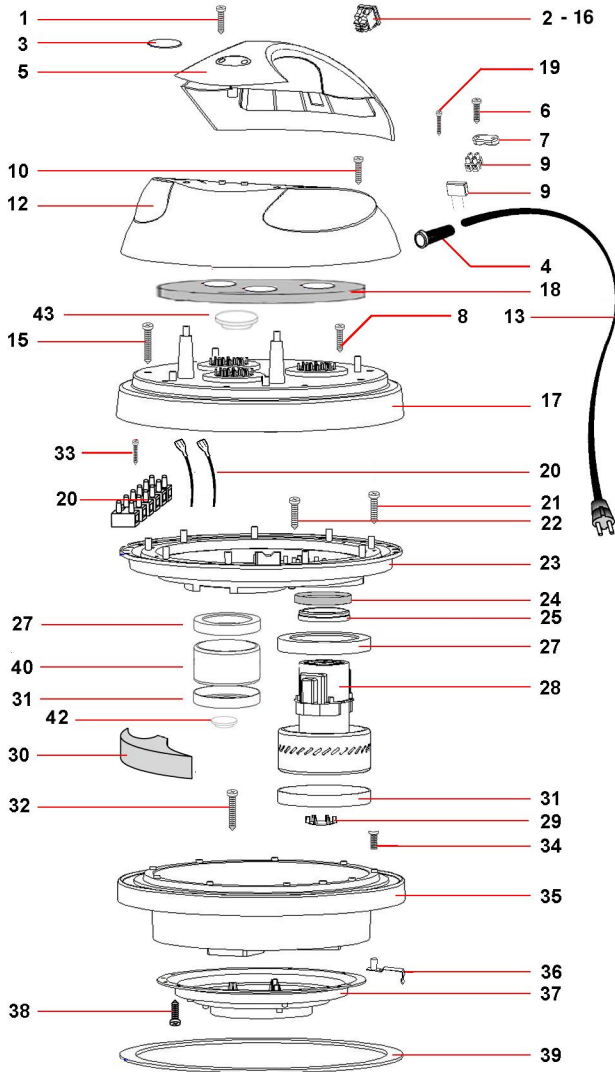
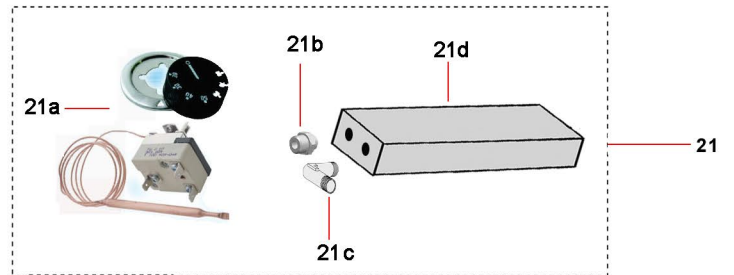
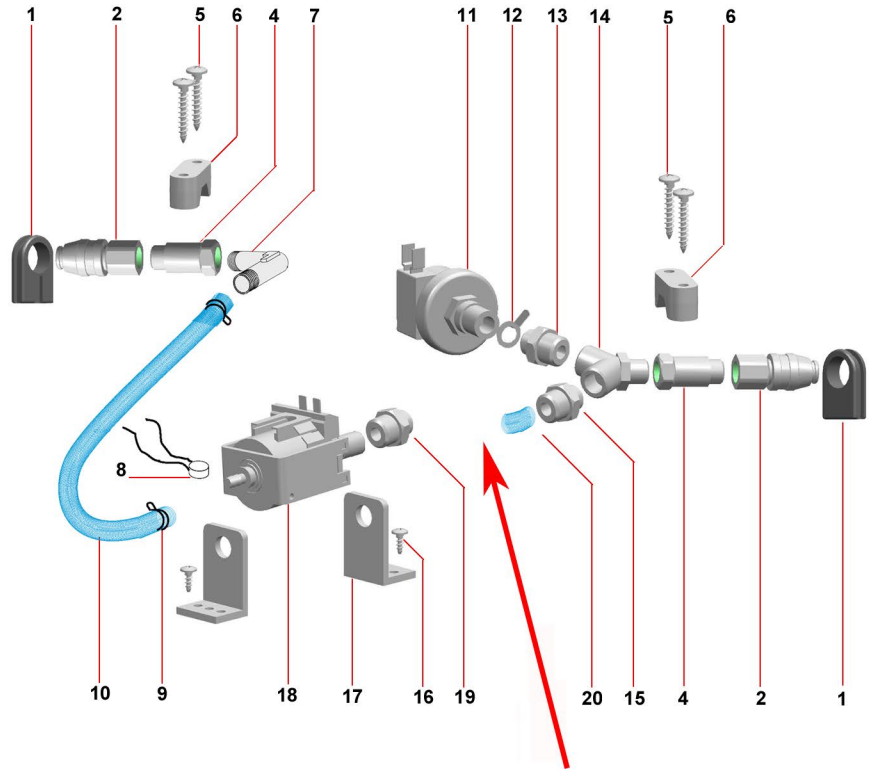


Despiece KRA250LTHW

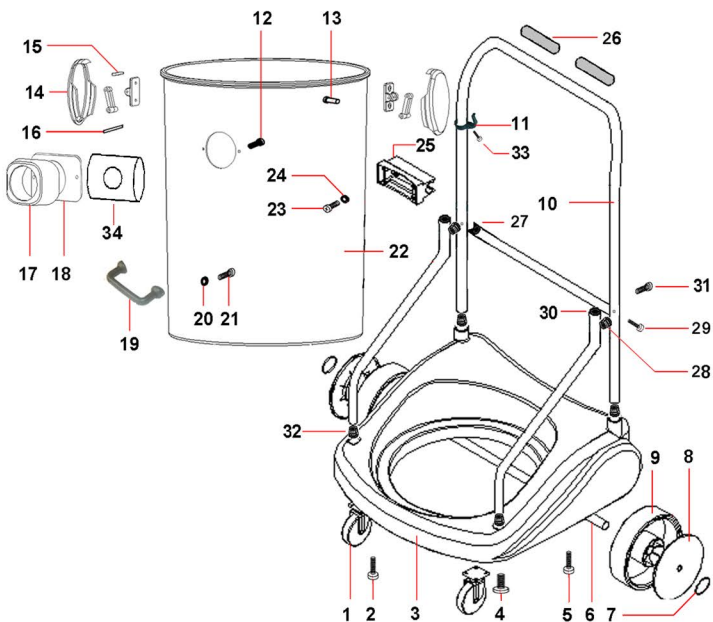
HEAD



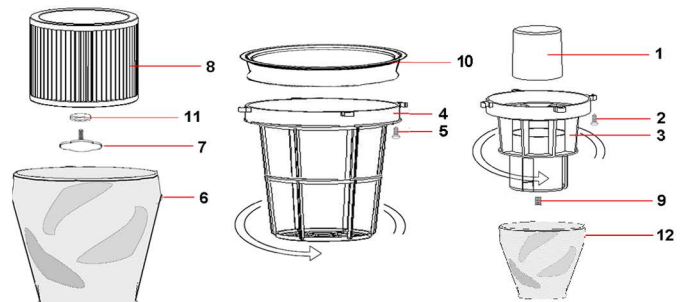
SET PUMP



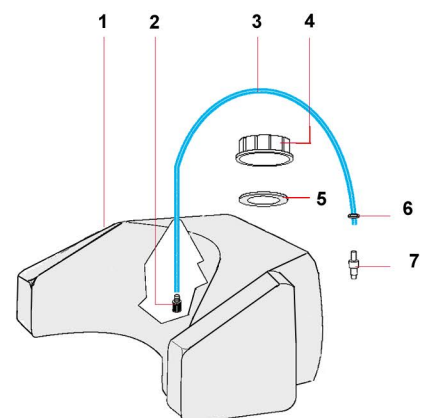
STAINLESS STEEL TANK AND TROLLEY



FILTER SET



DETERGENT TANK 20lt



Despiece KRA250LTHW

| HEAD | | | |
|------|-------------|--|------|
| POS. | COD. | DESCRIPTION | Q.TY |
| 1 | CVVA520ZN | Self Tipping Screw 5x20 ZN | 4 |
| 2 | CEIN016RB4 | Red Light Switch 2P with protection | 2 |
| 3 | CGLO5931 | Trademark ELSEA f.to 59x31,5 | 1 |
| 4 | CGPA110 | Fairlead | 1 |
| 5 | CPMA260F3H | Handle Ø260 ESTRO HOT | 1 |
| 6 | CVVA525ZN | Self Tipping Screw 5x25 TC ZN | 2 |
| 7 | CPFC001 | Cablefix | 1 |
| 8 | CVVA540ZN | Self Tipping Screw 5x40 TC ZN | 1 |
| 9 | CEKM003/3 | Kit Terminal board 3Poles 3XL300mm Ø2,5mm² 2 C+R | 1 |
| 10 | CVVA525ZN | Self Tipping Screw 5x25 TC ZN | 4 |
| 11 | / | | |
| 12 | CPCO441 | Cover Ø441 Exel/Verso | 1 |
| 13 | CECE315/8,5 | Electric cable H05 3x1,5 mm² 2 L=8,5mt | 1 |
| 14 | / | | |
| 15 | CVVA550ZN | Self Tipping Screw 5x50 TC ZN | 6 |
| 16 | CEIN016VB4 | Green Light Switch 2P with protection | 1 |
| 17 | CPCM452E | Motor Cover Ø 452 Estro | 1 |
| 18 | CGGU370 | Filter sponge Ø370mm | 1 |
| 19 | CVVA2919ZB | Self Tipping Screw 2,9x19 TC ZB | 1 |
| 20 | CEKM004/ES | Kit Terminal board 3Poles 3X2XL300mm +G/V+2B | 1 |
| 21 | CVVA540ZN | Self Tipping Screw 5x40 TC ZN | 9 |
| 22 | CVVA540ZN | Self Tipping Screw 5x40 TC ZN | 3 |
| 23 | CPFM444 | Motor Holder D. 444 | 1 |
| 24 | CGRO008 | Washer H=8 Ø85x65 | 2 |
| 25 | CPDA015 | Motor plastic spacer ring H=15 | 2 |
| 26 | / | | |
| 27 | CGGU005L | "L" Gasket s/f h=5 | 3 |
| 28 | MO12382BP | Motor by-pass 2 stages P1200W - PC38 | 2 |
| 29 | CPVA050 | Automatic valve Ø50 | 2 |
| 30 | CGTF145/50 | Sound absorbent triangle | 3 |
| 31 | CGGU003P | Gasket s/f h=3 | 3 |
| 32 | CVVA540ZN | Self Tipping Screw 5x40 TC ZN | 3 |
| 33 | CVVA2919ZB | Self Tipping Screw 2,9x19 TC ZB | 1 |
| 34 | CVVM520TC | Metric screw M5x20 | 1 |
| 35 | CPBM452 | Double Stage Motor Base D. 452 | 1 |
| 36 | CEPS346 | Plate of ground | 1 |
| 37 | CPCO328 | Conveyor | 1 |
| 38 | CVVA516ZN | Self Tipping Screw 5x16 ZN | 12 |
| 39 | CGGU441 | Head/Tank Gasket SBR Ø 441x395x3 | 1 |
| 40 | CPFM067 | False motor Ø140 H=87mm | 1 |
| 41 | / | | |
| 42 | CPST041 | Polyethylene stopper Ø 41 | 1 |
| 43 | CPST063 | Polyethylene stopper Ø 63 | 1 |

| FILTER SET WET/DRY | | | |
|--------------------|-----------|--|------|
| POS. | COD. | DESCRIPTION | Q.TY |
| 1 | CPGA080 | Float Ø80 | 1 |
| 2 | CVVA512ZC | Self Tipping Screw 5x12 Fungo/FL ZC | 4 |
| 3 | CPPG188 | Float Supporting D. 188 | 1 |
| 4 | CPTF252 | Filter Basket D. 252 | 1 |
| 5 | CVVA512ZC | Self Tipping Screw 5x12 Fungo/FL ZC | 6 |
| 6 | FI044P | Polyester Filter Ø44 (OPTIONAL) | 1 |
| 7 | CVGA820 | Cartridge wingnut M8x20 (OPTIONAL) | 1 |
| 8 | FI250178P | Cartridge filter Polyestere Ø175 H140 (OPTIONAL) | 1 |
| 9 | CVIF810 | Threaded insert M8 Ø10 (OPTIONAL) | 1 |
| 10 | CPAF442 | Filtration Ring Ø442 (OPTIONAL) | 1 |
| 11 | CGGU1572 | Gasket NBR 15x7,8x2 mm (OPTIONAL) | 1 |
| 12 | ACCA165A | Anti-foam cover | 1 |

| PUMP SET | | | |
|----------|------------|---|------|
| POS. | COD. | DESCRIPTION | Q.TY |
| 1 | CGPA020 | Shaped Guiding Slit for Coupling | 2 |
| 2 | CMPP014OT | Threaded Socket -Female F1/4 | 2 |
| 3 | / | | / |
| 4 | CMPR051 | Cylindrical Extension M1/4-F1/4 LG51 | 2 |
| 5 | CVVA530ZN | Self Tipping Screw 5x30 TC ZN | 4 |
| 6 | CPCA001 | Plug Fix | 2 |
| 7 | CMRA814L | "L" Cylindrical Connector-Male M1/4-8 | 1 |
| 8 | CEPT012 | Thermal Protector | 1 |
| 9 | CMFM085 | Starfix 8,5-9,5 | 1 |
| 10 | CPTU088EFL | Hydrolytic Hose PU1190 Ex.Flex 8x5 Black | 1 |
| 11 | CEPR110S | Pressure Switch GP110 - ESTRO HOT | 1 |
| 12 | CETO815 | Terminal M6 Ø1,5 | 1 |
| 13 | CMNI1418 | Cylindrical Nipple M1/8-M1/4 | 1 |
| 14 | CMRA014Y | "Y" Connector 90°-Male | 1 |
| 15 | CMRA614DV | Cylindrical Connector-Male M1/4-8 with Viton Gasket | 1 |
| 16 | CVVA530ZN | Self Tipping Screw 5x30 TC ZN | 2 |
| 17 | CGSU090L | "L" Support 90° | 2 |
| 18 | CEPO048V | Solenoid Pump U 230V | 1 |
| 19 | CMRA618DV | Cylindrical Connector-Male M1/8-6 with Viton Gasket | 1 |
| 20 | CPTU084H | Hydrolytic Hose Ø6x4 ESTRO HOT | 1 |
| 21 | CESE950 | Kit water P 950W - ESTRO HOT | 1 |
| 21a | CEPT090 | Regulator Switch 90°C | 1 |
| 21b | CMRA614DV | Cylindrical Connector-Male M1/4-8 with Viton Gasket | 1 |
| 21c | CMRA614LV | "L" Cylindrical Connector-Male M1/4-8 with Viton Gasket | 1 |
| 21d | CMRI950 | Resistance P 950W | 1 |

| Detergent Tank 20 lt | | | |
|----------------------|------------|--|------|
| POS. | COD. | DESCRIPTION | Q.TY |
| 1 | CPSE020 | Detergent Tank 20 lt | 1 |
| 2 | CPF008B | Filter Hose Ø8 | 1 |
| 3 | CPTU088EFL | Hydrolytic Hose PU1190 Ex.Flex 8x5 Black | 1 |
| 4 | CPTF002 | Black Stopper - Female G2 BSP Ø77 | 1 |
| 5 | CGGU002 | Gasket Stopper Female G2 BSP Black | 1 |
| 6 | CMFM085 | Starfix 8,5-9,5 | 2 |
| 7 | CMIN006OT | Connection Ø6mm | 1 |

| STAINLESS STEEL TANK AND TROLLEY | | | |
|----------------------------------|------------|-----------------------------------|------|
| POS. | COD. | DESCRIPTION | Q.TY |
| 1 | CPRU080 | Flangeted wheel with plate Ø80 | 2 |
| 2 | CVVA516ZN | Self Tipping Screw 5x16 TC ZN | 8 |
| 3 | CPCA570B | Trolley | 1 |
| 4 | CVVM820Z | Metric screw M8x20 Zn | 1 |
| 5 | CVVA540ZN | Self Tipping Screw 5x40 TC ZN | 2 |
| 6 | CMTU020 | Wheel stand Ø20 | 1 |
| 7 | CMBL020 | Block Ø20 | 2 |
| 8 | CPBO200NE | Wheel knob black Ø200 | 2 |
| 9 | CPRU200 | Wheel Ø200 | 2 |
| 10 | CMMA025CR | Shackle Ø25 | 1 |
| 11 | CPGA025 | Cable wind hook | 1 |
| 12 | CVVA525ZN | Self Tipping Screw 5x25 TC ZN | 2 |
| 13 | CVR1515 | Rivet 4,8x15 | 4 |
| 14 | CPGS113 | Spring Hook | 2 |
| 15 | CMSP424 | Hook Plug D.4 L=24 mm | 2 |
| 16 | CMSP450 | Hook Plug D.4 L=50 mm | 2 |
| 17 | CPBO045 | Inlet | 1 |
| 18 | CGGU045 | Gasket inlet Ø45 | 1 |
| 19 | CPMA120P/C | Bridge handle complete M120 | 1 |
| 20 | CPSO013 | Finishing washer Ø13 | 2 |
| 21 | CVVA630ZB | Self Tipping Screw 6x30 TC ZB | 2 |
| 22 | CMFU580AIB | Tank AISI 430 D.420 H.580 | 1 |
| 23 | CVVA520ZN | Self Tipping Screw 5x20 TC ZN | 4 |
| 24 | CPSO010 | Finishing washer Ø10 | 4 |
| 25 | CPCRO25 | Tank rollo hinge Ø25 | 1 |
| 26 | CPIM025 | Plastic handle Ø25 | 2 |
| 27 | CPCT025 | Plastic radial connector Ø25 | 2 |
| 28 | CPDI025 | Spacer Ø25 | 2 |
| 29 | CVVA650ZB | Self Tipping Screw 6x50 TC ZB | 2 |
| 30 | CPTT025 | Hose stopper Ø25 | 2 |
| 31 | CVVA545ZB | Self Tipping Screw 5x45 TC ZB | 2 |
| 32 | CPPF825 | Threaded plastic point M8 ABS Ø25 | 2 |
| 33 | CVVM412ZN | Metric screw M4x12 ZN | 1 |
| 34 | CGDA060 | Anti-foam device Ø60 | 1 |