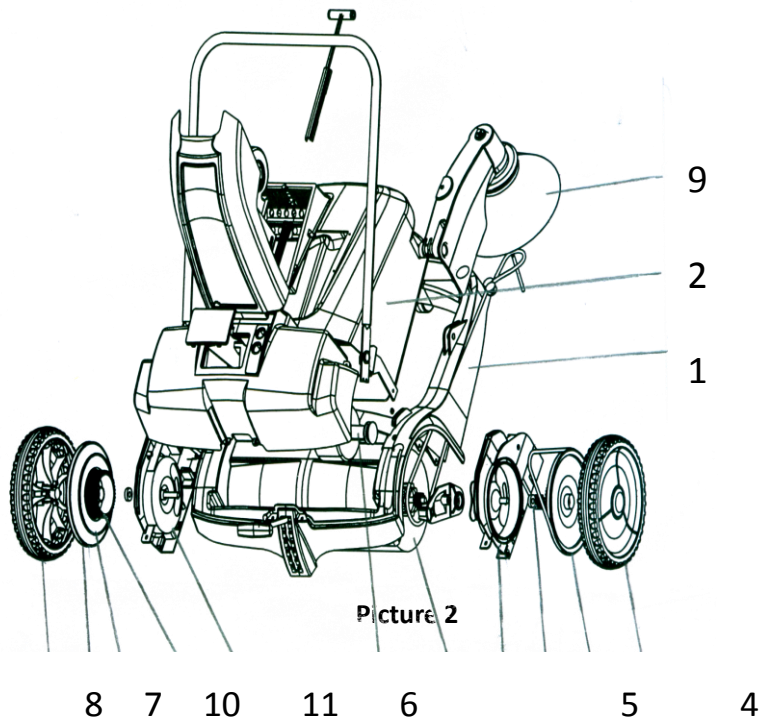
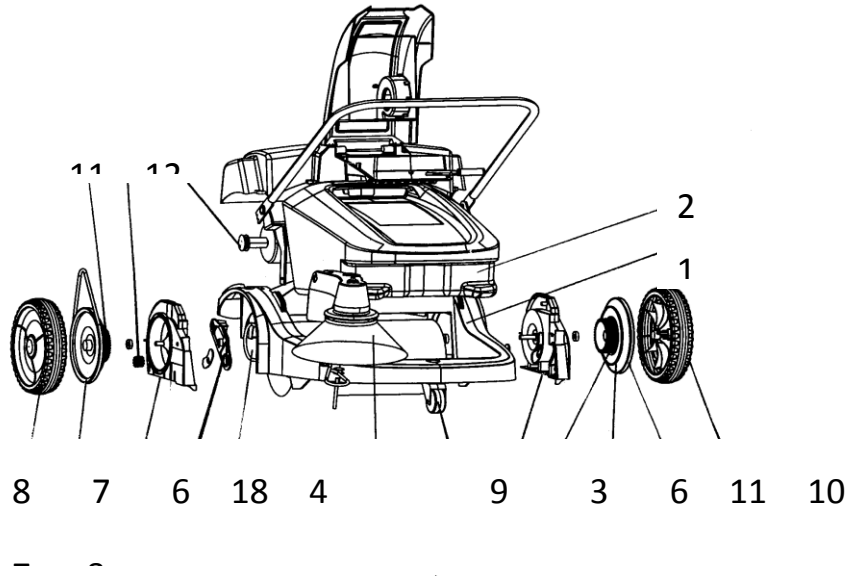
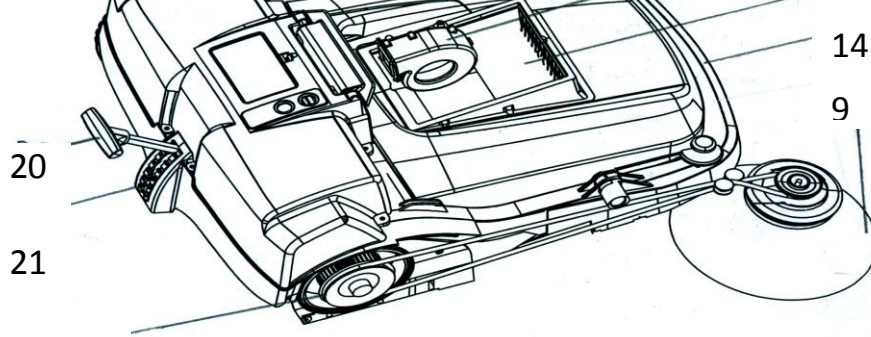


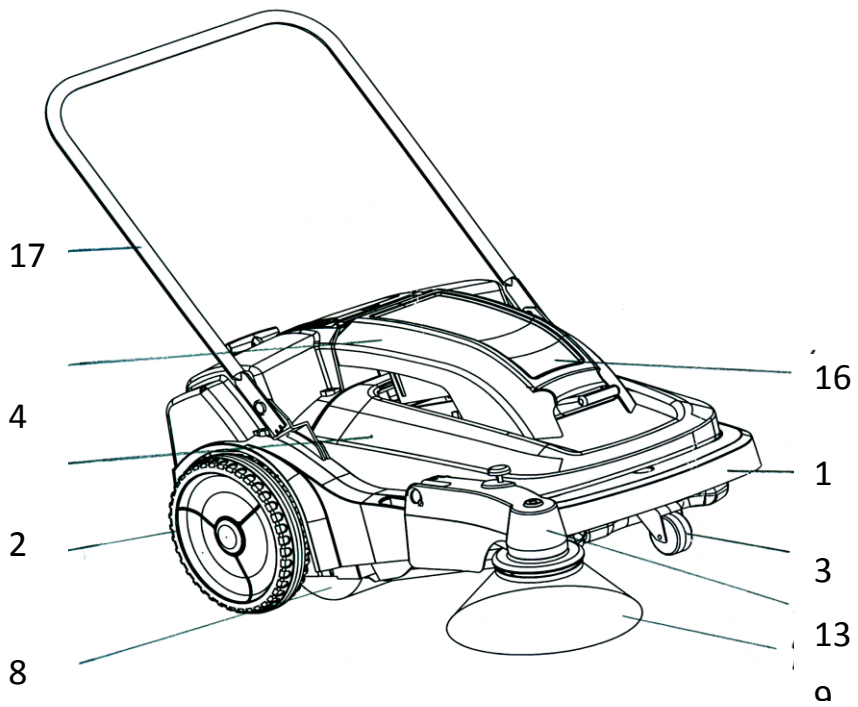
- | | | |
|------------------------|-------------------|-------------------|
| 1 Under frame | 2 Garbage can | 3 Balance wheel |
| 4 Abeam cleaning wheel | 5 Moter | 6 Shaft support |
| 7Power wheel | 8 Driveling wheel | 9 Disk brush |
| 10 Side wheel | 11Large gear | 12 Eccentric gear |
| 13 Fold frame | 14 Air filter | 15 Fan blower |
| 16 Tank cover | 17 Handlebars | 18 Lever |
| 19 Cross beam | 20 Handle | 21 Tap position |

Technical drawings:

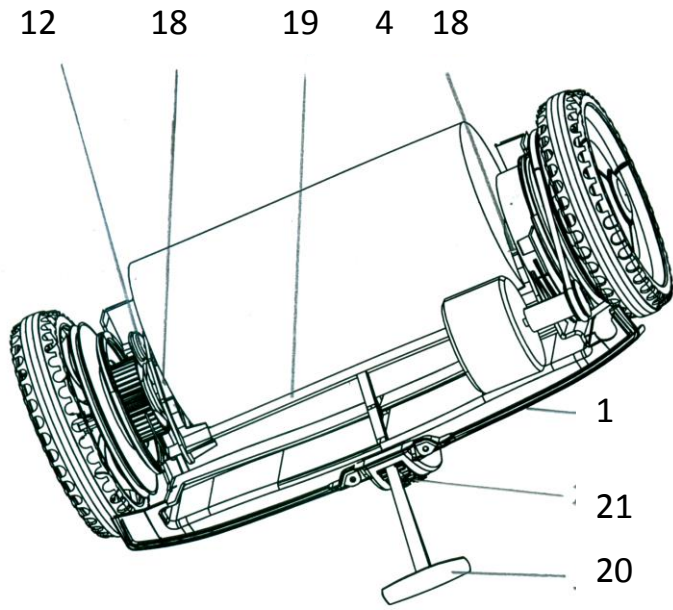




Picture 3



Picture 4



Picture 5