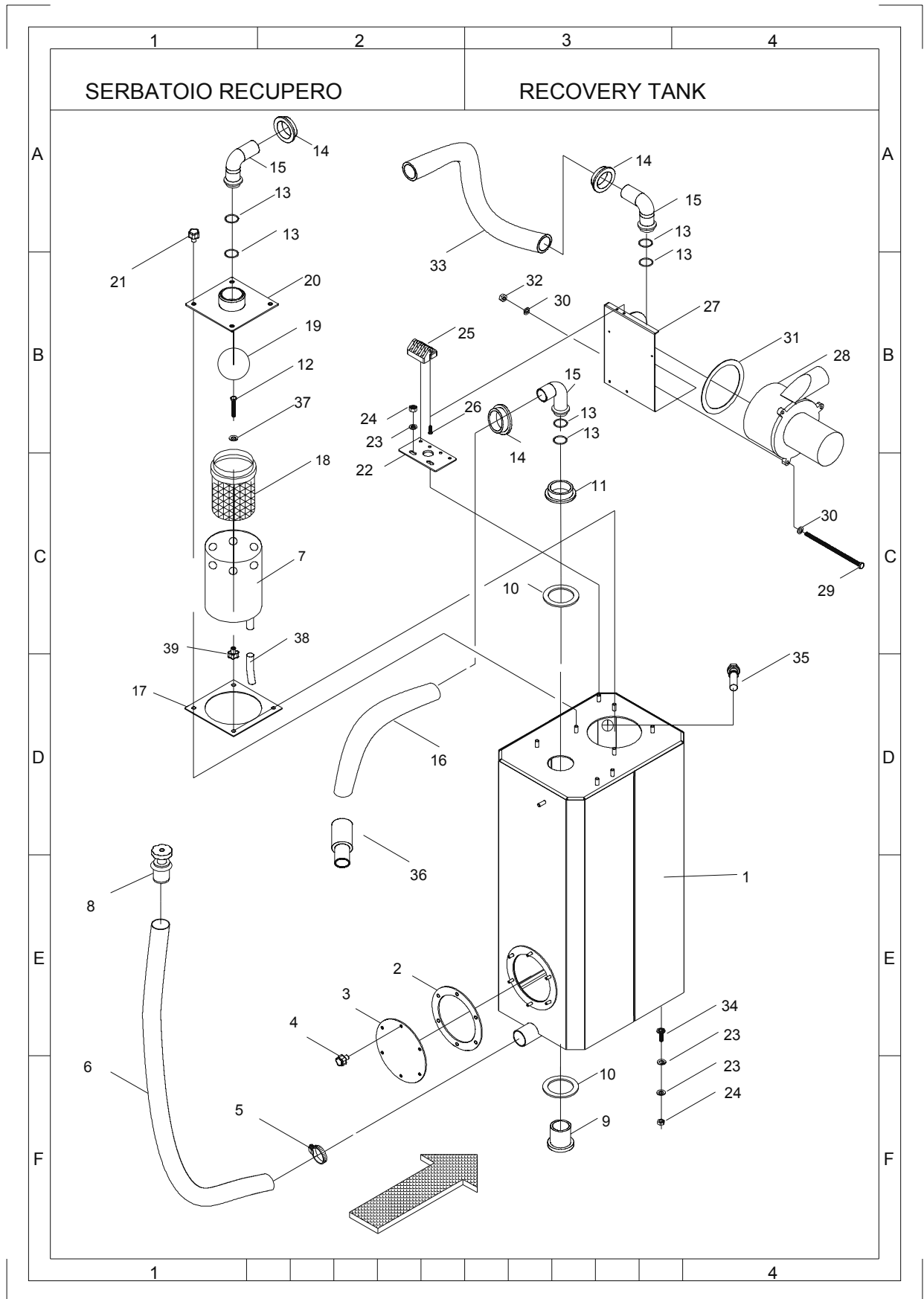


DURASCRUBB XLFLEXI A

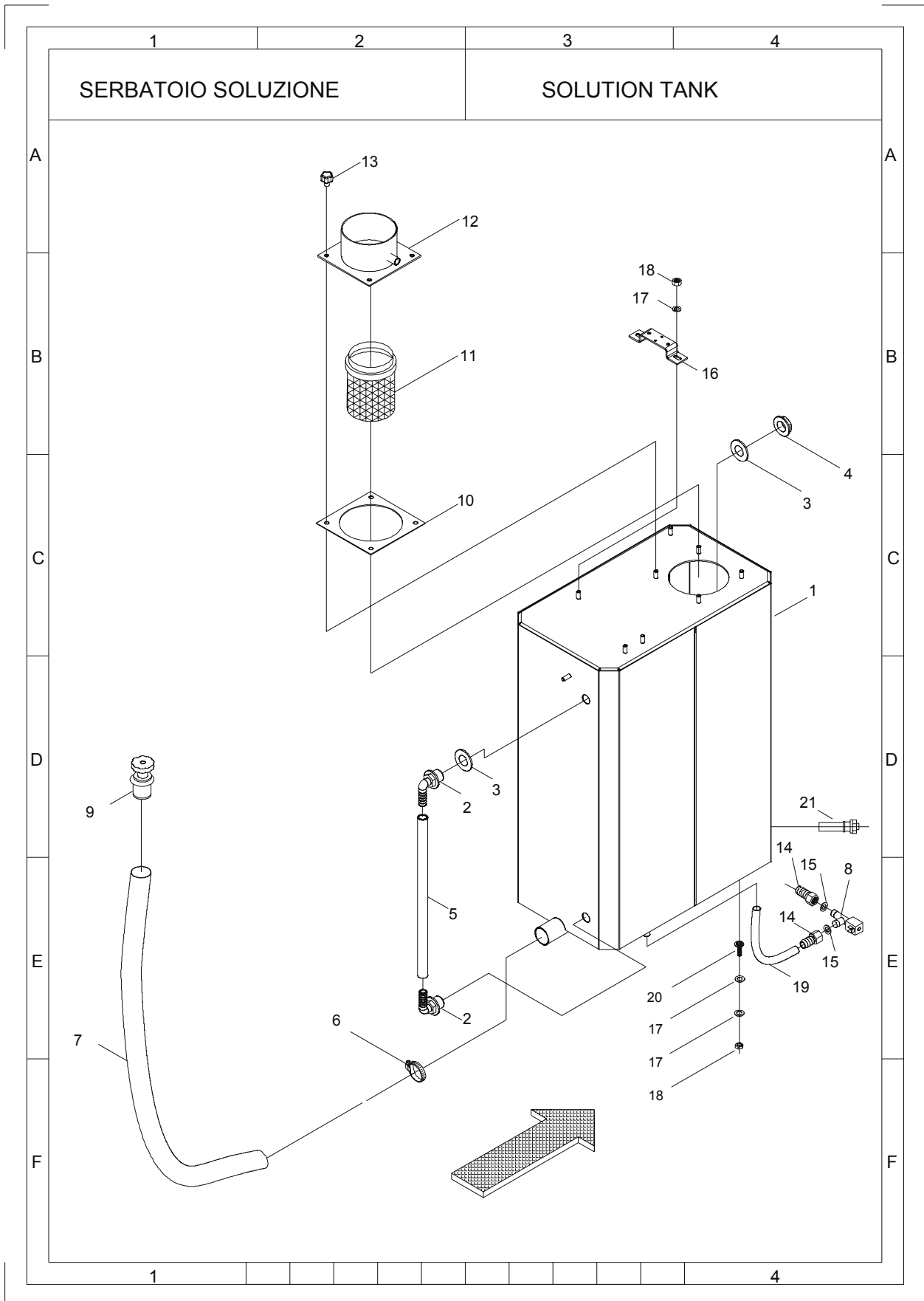
Spare Parts Manual

2004 V00 – 15/12/2004

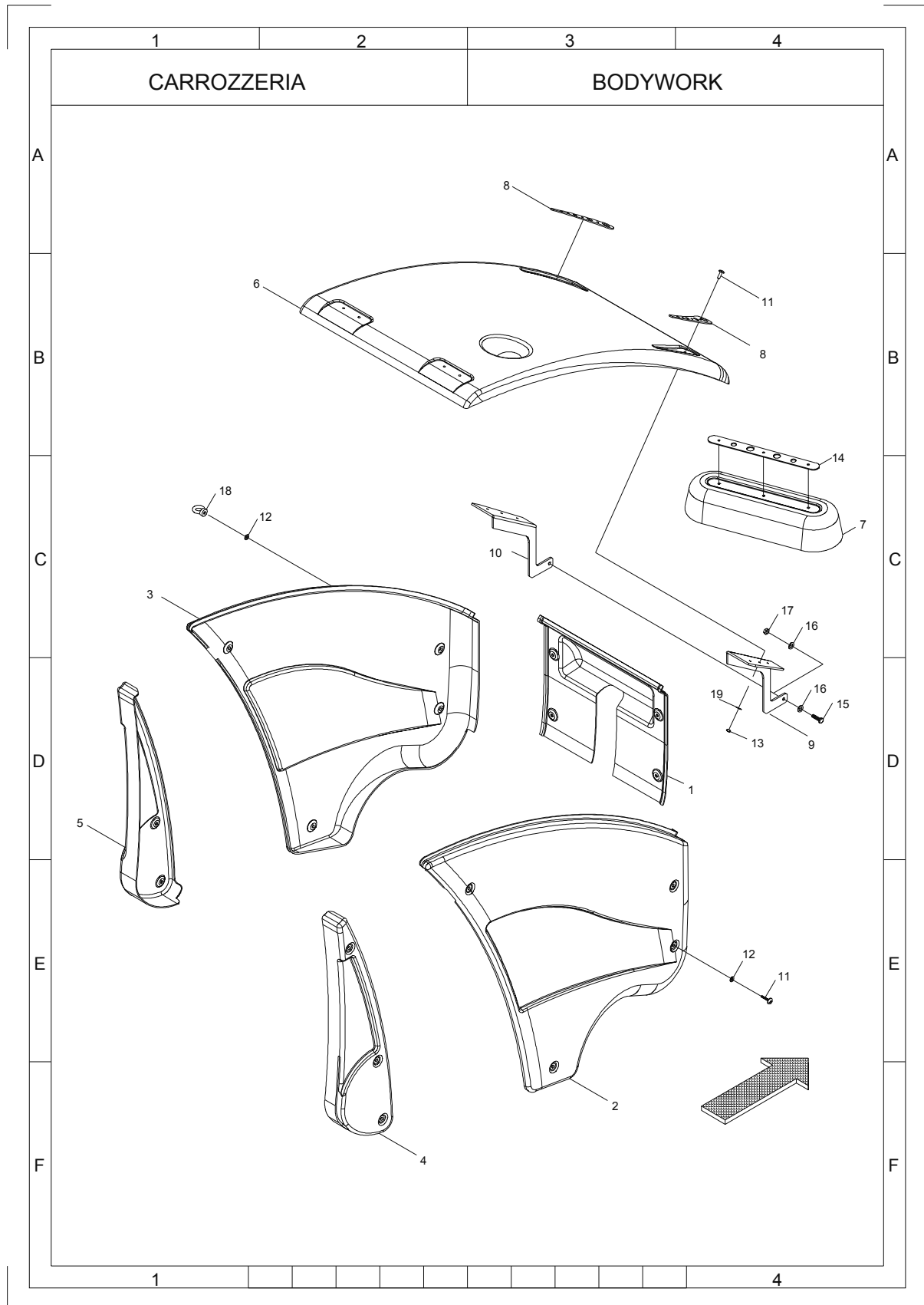




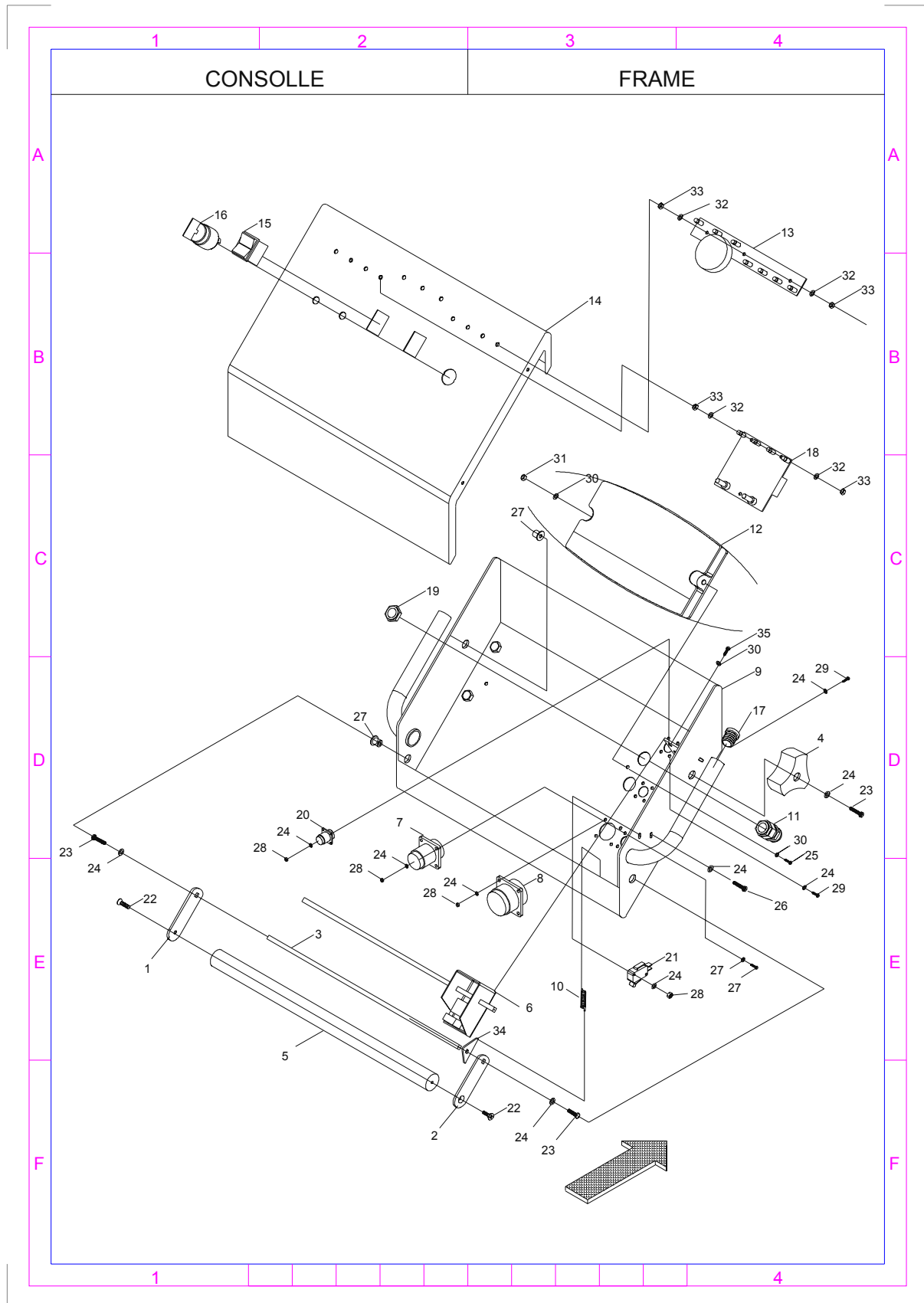
POS	Articolo	Q	DESCRIZIONE	DENOMINATION	NOMENCLATURE	BEZEICHNUNG
1	3551-0012-0D	1	SERBATOIO ACQUA SPORCA	RECOVERY TANK	RESERVOIR EAU SALE	SCHMUTZWSSERTANK
2	2705-0012-1	1	GUARNIZIONE	GASKET	JOINT	DICHTUNG
3	2501-0001-0	1	COPERCHIO	COVER	COUVERCLE	DECKEL
4	10-6203-000	6	VOLANTINO M 6	HANDWHEEL	VOLANT	DREHGRIFF
5	10-5000-020	1	FASCETTA	CLAMP	COLLIER	BRIDE
6	2665-0024-0	1	TUBO SUPERFLEXTRACT	HOSE	TUYAU	SCHLAUCH
7	3315-0001-0	1	PROTEZIONE ANTI-SCHIUMA A BICCHIERE	FLANGE	FLASQUE	FLANSCH
8	4565-0000-0	1	TAPPO ALLARGABILE	COVER	COUVERCLE	DECKEL
9	15-3301-001	1	PASSAPARETE	DRAIN OUTLET	GOULOT DE VIDAGE	ENTLEERUNGSSTUTZEN
10	15-3000-001	2	GUARNIZIONE	GASKET	JOINT	DICHTUNG
11	15-3351-001	1	GHIERA	RING NUT	EMBOUT	NUTMUTTER
12	10-0003-151	1	VITE TE M 6 X 45 INOX	SCREW	VIS	SCHRAUBE
13	15-3010-001	6	O-RING	O-RING	ANNEAU O-RING	O-RING
14	15-3351-003	3	GIRELLO	FLY NUT	ECROU	UEBERWURFMUTTER
15	15-3311-002	3	CURVA A 90°	CONNECTOR	RACCORD	VERSCHRAUBUNG
16	2665-0025-0	1	TUBO SUPERFLEXTRACT	HOSE	TUYAU	SCHLAUCH
17	2705-0011-0	1	GUARNIZIONE FLANGIA	GASKET	JOINT	DICHTUNG
18	15-3100-001	1	FILTRO	FILTER	FILTRE	FILTER
19	15-3200-000	1	SFERA	FLOAT	FLOTTEUR	SCHWIMMER
20	3135-0001-1	1	SUPPORTO PORTA FILTRO	SUPPORT	SUPPORT	HALTERUNG
21	10-6204-000	4	VOLANTINO M 8	HANDWHEEL	VOLANT	DREHGRIFF
22	2130-0141-1A	1	SUPPORTO CERNIERA	SUPPORT	SUPPORT	HALTERUNG
23	10-2023-000	2	RONDELLA PIANA Ø8	LEVEL WASHER	RONDELLE	UNTERLAGSCHEIBE
24	10-1104-000	2	DADO M 8 AUTOBLOCCANTE	LOCK NUT	ECROU AUTOBLOQUANT	STOPMUTTER
25	10-7011-000	1	CERNIERA IN PLASTICA	HINGE	CHARNIERE	SCHARNIER
26	10-0403-050	2	VITE TSEI M 6 X 10	SCREW	VIS	SCHRAUBE
27	3135-0002-1	1	SUPPORTO ASPIRATORE	SUPPORT	SUPPORT	HALTERUNG
28	13-1102-000	1	ASPIRATORE 36V 3 STADI	SUCTION MOTOR	MOTEUR D' ASPIRATION	SAUGMOTOR
29	10-0003-260	3	VITE TE M 6 X 100	SCREW	VIS	SCHRAUBE
30	10-2018-000	6	RONDELLA PIANA Ø6	LEVEL WASHER	RONDELLE	UNTERLAGSCHEIBE
31	15-3020-000	1	GUARNIZIONE	GASKET	JOINT	DICHTUNG
32	10-1103-000	3	DADO M 6 AUTOBLOCCANTE	LOCK NUT	ECROU AUTOBLOQUANT	STOPMUTTER
33	2665-0026-0	1	TUBO SUPERFLEXTRACT	HOSE	TUYAU	SCHLAUCH
34	10-0004-100	1	VITE TE M 8 X 20	SCREW	VIS	SCHRAUBE
35	15-0120-000	1	INDICATORE LIVELLO	LEVEL INDICATOR	INDICATEUR DE NIVEAU	STANDANZEIGER
36	15-3340-001	1	MANICOTTO IN GOMMA	SLEEVE	MANCHON	MUFFE
37	10-2118-001	1	RONDELLA SPACCATA Ø6 INOX	LOCK WASHER	RONDELLE FREIN	ZAHNSCHEIBE
38	2665-0062-0	1	TUBO BICCHIERE	HOSE	TUYAU	SCHLAUCH
39	10-6203-001	1	VOLANTINO M 6	HANDWHEEL	VOLANT	DREHGRIFF



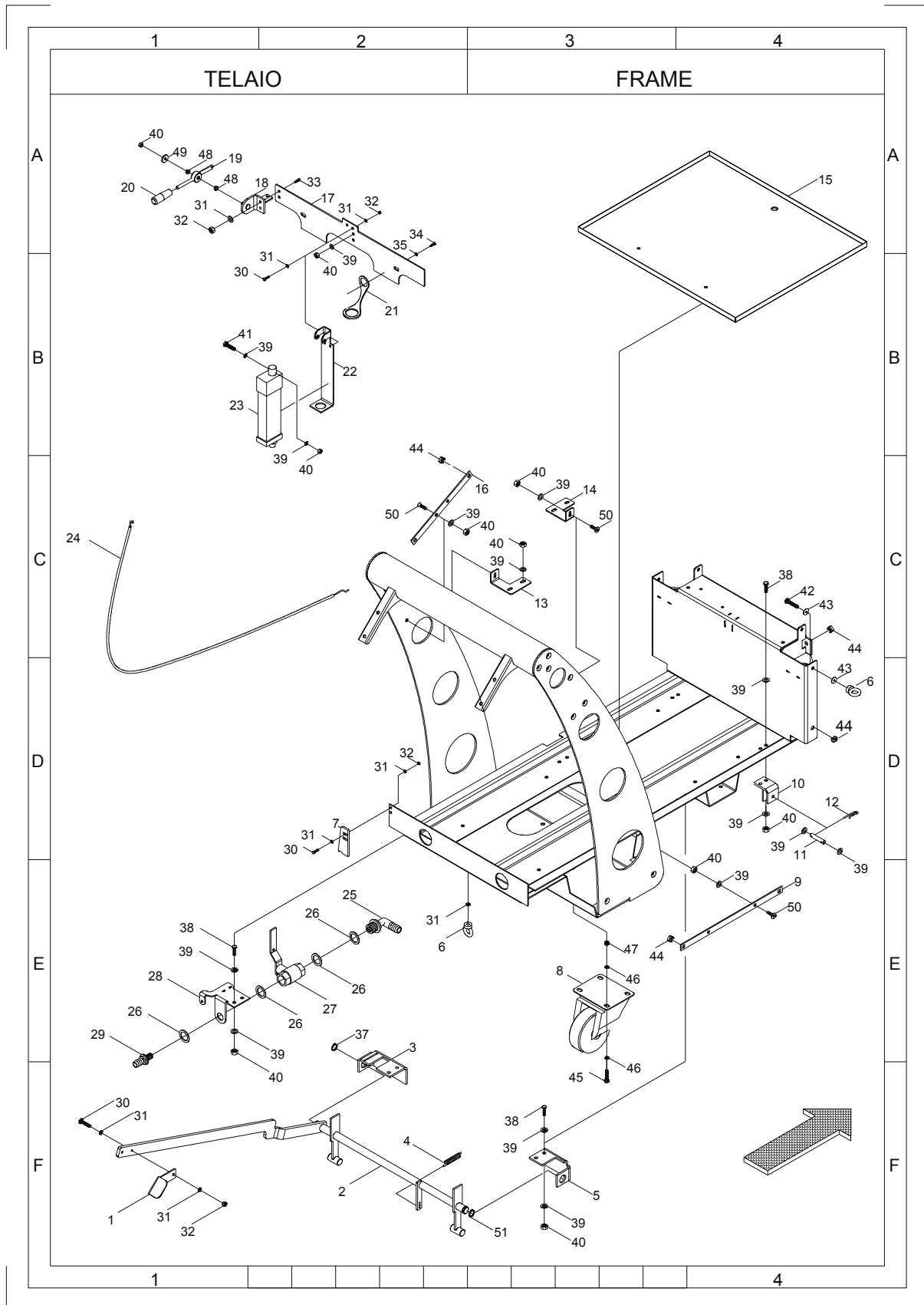
POS	Articolo	Q	DESCRIZIONE	DENOMINATION	NOMENCLATURE	BEZEICHNUNG
1	3551-0011-0D	1	SERBATOIO DETERGENTE	SOLUTION TANK	RESERVOIR EAU PROPRE	FRISCHWSSERTANK
2	15-3311-000	2	CURVA A 90°	CONNECTOR	RACCORD	VERSCHRAUBUNG
3	15-3000-004	4	GUARNIZIONE	GASKET	JOINT	DICHTUNG
4	15-3351-005	2	GHIERA	RING NUT	EMBOUT	NUTMUTTER
5	2665-0029-0	1	TUBO IN GOMMA	HOSE	TUYAU	SCHLAUCH
6	10-5000-020	1	FASCETTA	CLAMB	COLLIER	BRIDE
7	2665-0024-0	1	TUBO SUPERFLEXTRACT	HOSE	TUYAU	SCHLAUCH
8	15-3511-002	1	ELETTROVALVOLA 36V	SOLENOID 36V		
9	4565-0000-0	1	TAPPO ALLARGABILE	COVER	COUVERCLE	DECKEL
10	2705-0011-0	1	GUARNIZIONE FLANGIA	GASKET	JOINT	DICHTUNG
11	15-3100-000	1	FILTRO	FILTER	FILTRE	FILTER
12	3135-0000-2	1	SUPPORTO PORTAFILTRO	SUPPORT	SUPPORT	HALTERUNG
13	10-6204-000	4	VOLANTINO M 8	HANDWHEEL	VOLANT	DREHGRIF
14	15-3361-000	2	RACCORDO DRITTO	CONNECTOR	RACCORD	VERSCHRAUBUNG
15	15-3000-005	2	GUARNIZIONE	GASKET	JOINT	DICHTUNG
16	2130-0148-0A	1	SUPPORTO CONNETTORI	SUPPORT	SUPPORT	HALTERUNG
17	10-2023-000	2	RONDELLA PIANA Ø8	LEVEL WASHER	RONDELLE	UNTERLAGSCHEIBE
18	10-1104-000	2	DADO M 8 AUTOBLOCCANTE	LOCK NUT	ECROU AUTOBLOQUANT	STOPMUTTER
19	2665-0060-0	1	TUBO IN GOMMA	HOSE	TUYAU	SCHLAUCH
20	10-0004-100	1	VITE TE M 8 X 20	SCREW	VIS	SCHRAUBE
21	15-0120-000	1	INDICATORE LIVELLO	LEVEL INDICATOR	INDICATEUR DE NIVEAU	STANDANZEIGER



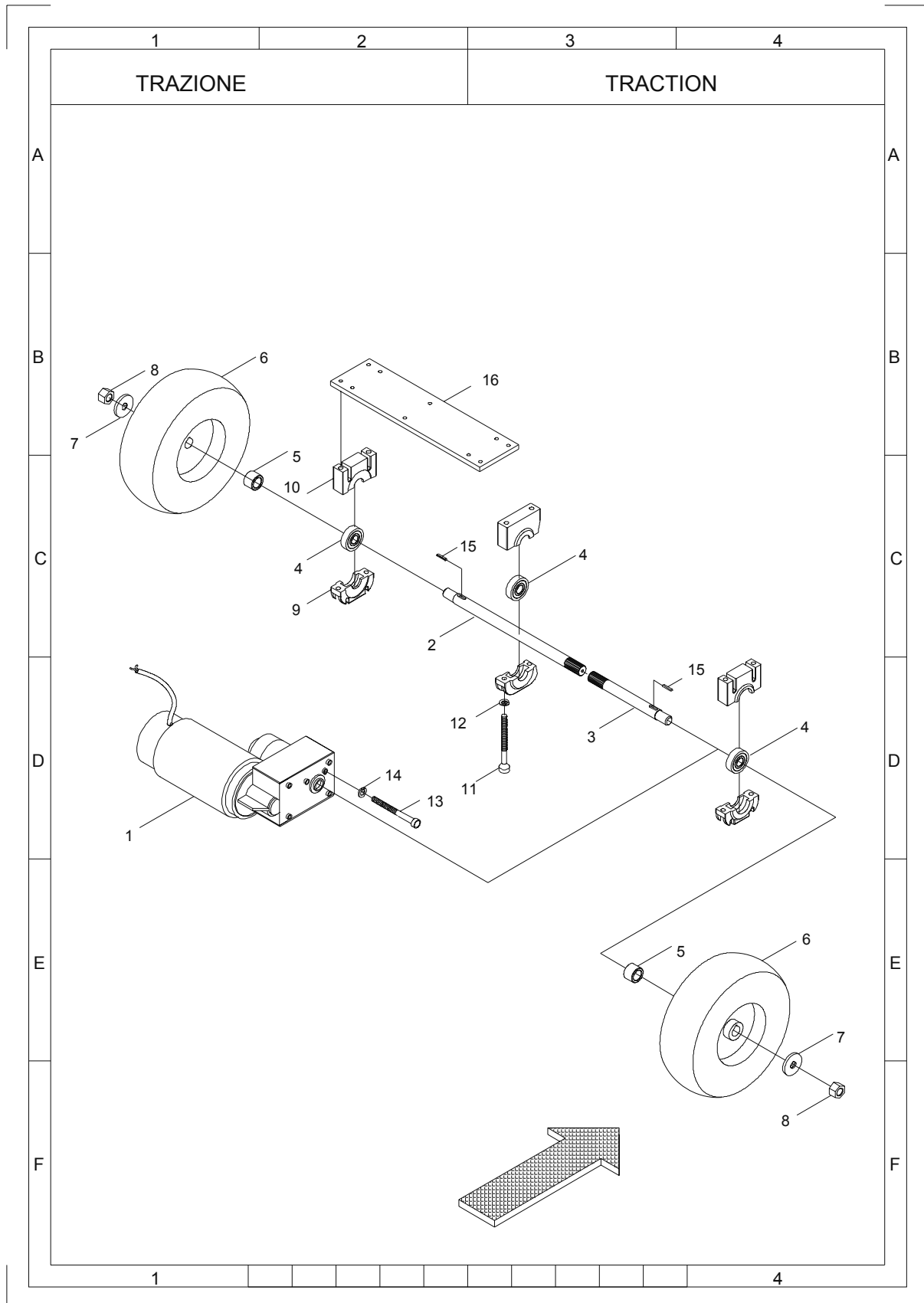
POS	Articolo	Q	DESCRIZIONE	DENOMINATION	NOMENCLATURE	BEZEICHNUNG
1	2365-0028-0A	1	FRONTALINO	FRONTAL	FRONTAIL	STIRNSEITE
2	2365-0022-0A	1	FIANCO ANTERIORE	FRONT PANEL	PANNEAU AVANT	VORDERE SEITENTAFEL
3	2365-0023-0A	1	FIANCO ANTERIORE	FRONT PANEL	PANNEAU AVANT	VORDERE SEITENTAFEL
4	2365-0024-0A	1	FIANCO POSTERIORE	BACK PANEL	PANNEAU ARRIERE	HINTERE SEITENTAFEL
5	2365-0027-0A	1	FIANCO POSTERIORE	BACK PANEL	PANNEAU ARRIERE	HINTERE SEITENTAFEL
6	2365-0006-0A	1	COFANO	BONNET	CAPOT	HAUBE
7	2365-0007-0A	1	COPERTURA MOTORI	MOTOR COVER	COUVERCLE DE MOTO	DECKEL
8	2161-0000-0A	2	RINFORZO	SUPPORT	RENFORT	VERSTAERKUNG
9	2130-0162-0A	1	SUPPORTO COFANO	SUPPORT	SUPPORT	HALTERUNG
10	2130-0163-0A	1	SUPPORTO COFANO	SUPPORT	SUPPORT	HALTERUNG
11	10-0503-102	22	VITE "KOMBI" M 6 X 20	SCREW	VIS	SCHRAUBE
12	10-2018-001	16	RONDELLA PIANA Ø6 X 18	LEVEL WASHER	RONDELLE	UNTERLAGSCHEIBE
13	10-1103-000	8	DADO M 6 AUTOBLOCCANTE	LOCK NUT	ECROU AUTOBLOQUANT	STOPMUTTER
14	8300-0009-0	1	ADESIVO COPERTURA MOTORI	SUPPORT	RENFORT	VERSTAERKUNG
15	10-0004-100	2	VITE TE M 8 X 20	SCREW	VIS	SCHRAUBE
16	10-2023-000	6	RONDELLA PIANA Ø8	LEVEL WASHER	RONDELLE	UNTERLAGSCHEIBE
17	10-1104-000	2	DADO M 8 AUTOBLOCCANTE	LOCK NUT	ECROU AUTOBLOQUANT	STOPMUTTER
18	10-6100-000	2	GOLFARO FEMMINA M 6	EYEBOLT	OEIL	
19	10-2018-000	8	RONDELLA PIANA Ø6	LEVEL WASHER	RONDELLE	UNTERLAGSCHEIBE
20	2820-0004-0Y	2	MOLLA A LAMA	SPRING	RESSORT	FEDER



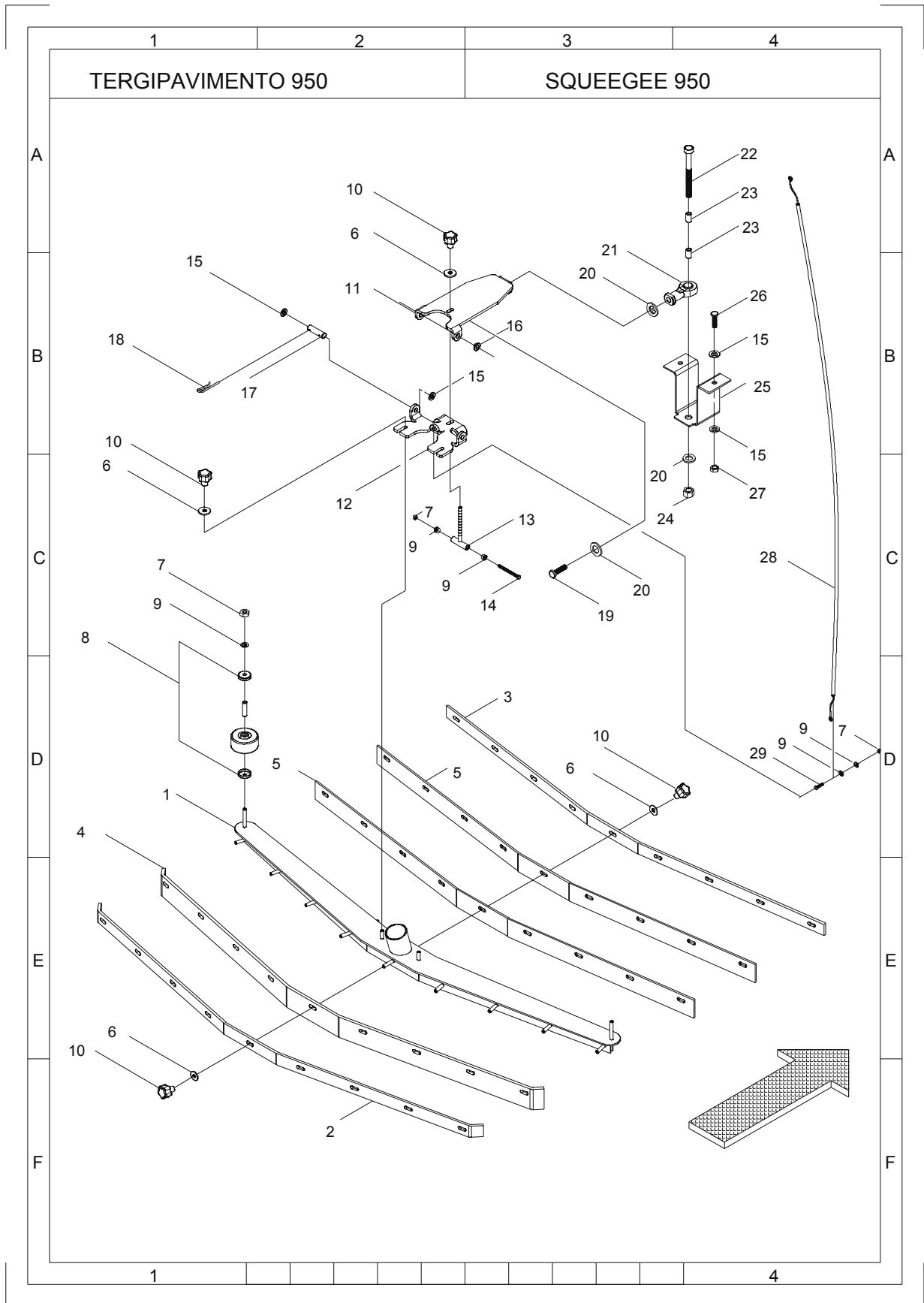
POS	Articolo	Q	DESCRIZIONE	DENOMINATION	NOMENCLATURE	BEZEICHNUNG
1	2020-0028-0A	1	LEVA	LEVER	LEVIER	HEBEL
2	2020-0027-0A	1	LEVA	LEVER	LEVIER	HEBEL
3	2180-0033-0	1	BARRA	HANDLE	POIGNEE	GRIFF
4	15-0201-000	1	MANOPOLA VERDE	KNOB	POIGNEE	HANDGRIFF
5	2035-0003-0	1	BARRA DI SICUREZZA	HANDLE	POIGNEE	GRIFF
6	14-9901-002	1	GPH	ACCELERATOR CONTROL	COMMANDE ACCELERATEUR	GASHEBEL
7	14-0101-000	1	CONNETTORE MASCHIO	CONNECTOR MALE	CONNECTEUR MALE	STECKER MIT ZAPFEN
8	14-0101-001	1	CONNETTORE MASCHIO	CONNECTOR MALE	CONNECTEUR MALE	STECKER MIT ZAPFEN
9	3540-0010-0A	1	CONSOLLE	CONTROL PANEL	TABEAU DE COMMANDE	SCHALTTFEL
10	2801-0000-0Y	2	MOLLA	SPRING	RESSORT	FEDER
11	15-1321-000	2	PASSAPARETE	DRAIN OUTLET	GOULOT DE VIDAGE	ENTLEERUNGSSTUTZEN
12	14-0500-011	1	SCHEDA MACCHINA	CHECK CARD BRUSHES	PLAQUE CONTROLE BROSSES	KARTE BURSTENBLOCKIERUNG
13	14-0500-006	1	SCHEDA BATTERIE E DIAGNOSTICA	CHECK CARD BATTERIES	PLAQUE CONTROLE BATTERIES	KONTROLLEL. BATTERIEN
14	3500-0008-0A	1	COPERCHIO CONSOLLE	COVER	COUVERCLE	DECKEL
15	15-0112-002	2	INTERRUTTORE	SWITCH	INTERRUPTOR	SCHALTER
16	14-9900-000	1	BLOCCO AVVIAMENTO	SWITCH WITH KEY	INTERRUPTOR AVEC CLEF	SHALTER MIT SCHLUSSEL
17	15-1301-000	2	TAPPO	COVER	COUVERCLE	DECKEL
18	14-0500-007	1	SCHEDA POTENZIOMETRI E LIVELLI	POTENTIOMETER	POTENTIOMETRE	POTENTIOMETER
19	15-1301-001	2	GHIERA	RING NUT	EMBOUT	NUTMUTTER
20	14-0105-000	2	CONNETTORE MASCHIO	CONNECTOR MALE	CONNECTEUR MALE	STECKER MIT ZAPFEN
21	15-0110-000	1	MICROINTERRUTTORE	MICROSWITCH	MICROINTERRUPTOR	MIKROSCHALTER
22	10-0403-080	2	VITE TSEI M 6 X 16	SCREW	VIS	SCHRAUBE
23	10-0500-070	3	VITE TC M 3 X 14	SCREW	VIS	SCHRAUBE
24	10-2011-000	21	RONDELLA PIANA Ø3	LEVEL WASHER	RONDELLE	UNTERLAGSCHEIBE
25	10-0302-100	2	VITE TBEI M 5 X 20	SCREW	VIS	SCHRAUBE
26	10-0300-100	2	VITE TBEI M 3 X 20	SCREW	VIS	SCHRAUBE
27	11-0015-001	4	BOCCOLA	BUSHING	BAGUE	BUCHSE
28	10-1100-000	14	DADO M 3 AUTOBLOCCANTE	LOCK NUT	ECROU AUTOBLOQUANT	STOPMUTTER
29	10-0000-060	12	VITE TE M 3 X 12	SCREW	VIS	SCHRAUBE
30	10-2015-000	6	RONDELLA PIANA Ø5	LEVEL WASHER	RONDELLE	UNTERLAGSCHEIBE
31	10-1002-000	2	DADO M 5	NUT	ECROU	MUTTER
32	10-2013-000	6	RONDELLA PIANA Ø4	LEVEL WASHER	RONDELLE	UNTERLAGSCHEIBE
33	10-1001-000	6	DADO M 4	NUT	ECROU	MUTTER
34	2020-0029-0A	1	LEVA	LEVER	LEVIER	HEBEL
35	10-0002-080	2	VITE TE M 5 X 16	SCREW	VIS	SCHRAUBE



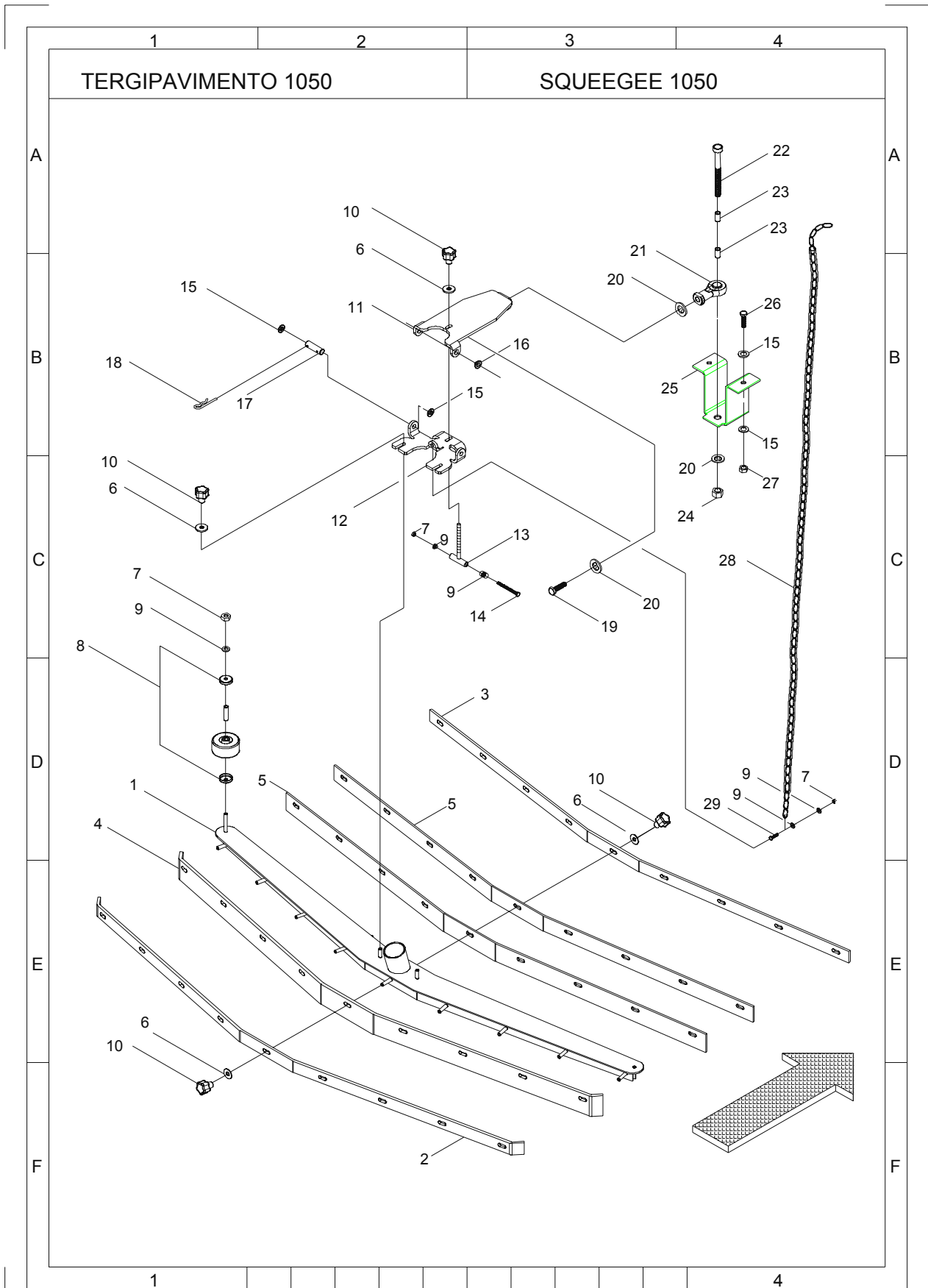
POS	Articolo	Q	DESCRIZIONE	DENOMINATION	NOMENCLATURE	BEZEICHNUNG
1	2030-0007-0A	1	PEDALE	PEDAL	PEDALE	PEDAL
2	3020-0012-1A	1	LEVA FRENO	LEVER	LEVIER	HEBEL
3	2130-0140-1A	1	SUPPORTO SINISTRO	SUPPORT	SUPPORT	HALTERUNG
4	15-2020-000	1	MOLLA	SPRING	RESSORT	FEDER
5	2130-0150-0A	1	SUPPORTO DESTRO	SUPPORT	SUPPORT	HALTERUNG
6	10-6100-000	3	GOLFARO FEMMINA M 6	EYEBOLT	OEIL	
7	2230-0001-1A	1	GUIDA DI SCORRIMENTO	SLIDE	GUIDE	SCHUH
8	12-0100-000	2	RUOTA	WHEEL	ROUE	ROLLE
9	2130-0146-0A	2	SUPPORTO CARROZZERIA	SUPPORT	SUPPORT	HALTERUNG
10	3140-0000-0A	2	FORCELLA	FORK	CHAPPE	GABELKOPF
11	2211-0002-0	2	PERNO Ø8	PIN	AXE	BOLZEN
12	10-4500-000	4	COPIGLIA A "R" Ø1,8	SPLIT PIN	GOUPILLE	SPLINT
13	2130-0135-0A	1	STAFFA SINISTRA	SUPPORT	SUPPORT	HALTERUNG
14	2130-0134-0A	1	STAFFA DESTRA	SUPPORT	SUPPORT	HALTERUNG
15	3531-0002-0	1	PORTABATTERIE	PANEL	PANNEAU	BLECH
16	2130-0147-0A	2	SUPPORTO CARROZZERIA	SUPPORT	SUPPORT	HALTERUNG
17	2120-0006-1A	1	PIASTRA	PLAQUE	PLAQUETTE	BEFESTIGUNGSAUFLAGE
18	3130-0023-1A	1	SUPPORTO SINISTRO	SUPPORT	SUPPORT	HALTERUNG
19	3020-0013-0A	1	LEVA ACQUA	COCK LEVER	LEVIER DE RUBINET	WASSERHAHNHEBEL
20	15-0200-000	1	MANOPOLA	KNOB	POIGNEE	HANDGRIFF
21	2135-0011-0	2	SUPPORTO	SUPPORT	SUPPORT	HALTERUNG
22	2130-0151-0A	1	SUPPORTO ATTUATORE	SUPPORT	SUPPORT	HALTERUNG
23	15-0222-001	1	ATTUATORE LINEARE	LINEAR ACTUATOR	VERIN	HUBSPINDELANTRIEBE
24	3070-0005-0	1	FILO ARMONICO	CABLE	CABLE	KABEL
25	15-3311-000	1	CURVA A 90°	CONNECTOR	RACCORD	VERSCHRAUBUNG
26	15-3002-000	4	GUARNIZIONE IN CARTA	GASKET	JOINT	DICHTUNG
27	15-3500-001	1	VALVOLA	COCK	ROBINET	WASSERHAHN
28	2130-0121-2A	1	SUPPORTO RUBINETTO	SUPPORT	SUPPORT	HALTERUNG
29	15-3363-000	1	PORTAGOMMA	CONNECTOR	RACCORD	SCHLAUCHANSCHLUSS
30	10-0003-080	2	VITE TE M 6 X 16	SCREW	VIS	SCHRAUBE
31	10-2018-000	16	RONDELLA PIANA Ø6	LEVEL WASHER	RONDELLE	UNTERLAGSCHEIBE
32	10-1103-000	10	DADO M 6 AUTOBLOCCANTE	LOCK NUT	ECROU AUTOBLOQUANT	STOPMUTTER
33	10-0403-080	4	VITE TSEI M 6 X 16	SCREW	VIS	SCHRAUBE
34	10-0402-060	4	VITE TSEI M 5 X 12	SCREW	VIS	SCHRAUBE
35	10-2015-000	4	RONDELLA PIANA Ø5	LEVEL WASHER	RONDELLE	UNTERLAGSCHEIBE
36	10-1102-000	4	DADO M 5 AUTOBLOCCANTE	LOCK NUT	ECROU AUTOBLOQUANT	STOPMUTTER
37	11-0110-003	2	BOCCOLA Ø20 AUTOLUBRIF.	BUSHING	BAGUE	BUCHSE
38	10-0004-100	10	VITE TE M 8 X 20	SCREW	VIS	SCHRAUBE
39	10-2023-000	32	RONDELLA PIANA Ø8	LEVEL WASHER	RONDELLE	UNTERLAGSCHEIBE
40	10-1104-000	26	DADO M 8 AUTOBLOCCANTE	LOCK NUT	ECROU AUTOBLOQUANT	STOPMUTTER
41	10-0004-140	1	VITE TE M 8 X 40	SCREW	VIS	SCHRAUBE
42	10-0003-100	2	VITE TE M 6 X 20	SCREW	VIS	SCHRAUBE
43	10-2018-001	6	RONDELLA PIANA Ø6 X 18	LEVEL WASHER	RONDELLE	UNTERLAGSCHEIBE
44	10-1203-000	14	DADO IN GABBIA M 6	NUT	ECROU	MUTTER
45	10-0006-110	8	VITE TE M 10 X 25	SCREW	VIS	SCHRAUBE
46	10-2027-000	16	RONDELLA PIANA Ø10	LEVEL WASHER	RONDELLE	UNTERLAGSCHEIBE
47	10-1106-000	8	DADO M 10 AUTOBLOCCANTE	LOCK NUT	ECROU AUTOBLOQUANT	STOPMUTTER
48	10-0404-100	10	VITE TSEI M 8 X 20	SCREW	VIS	SCHRAUBE
49	10-2023-001	1	RONDELLA PIANA Ø8 X 24	LEVEL WASHER	RONDELLE	UNTERLAGSCHEIBE
50	11-0110-000	2	BOCCOLA Ø8 AUTOLUBRIF.	BUSHING	BAGUE	BUCHSE
51	10-4800-020	1	SEEGER	SEEGER RING	SERRE CLIP	SEEGERRING



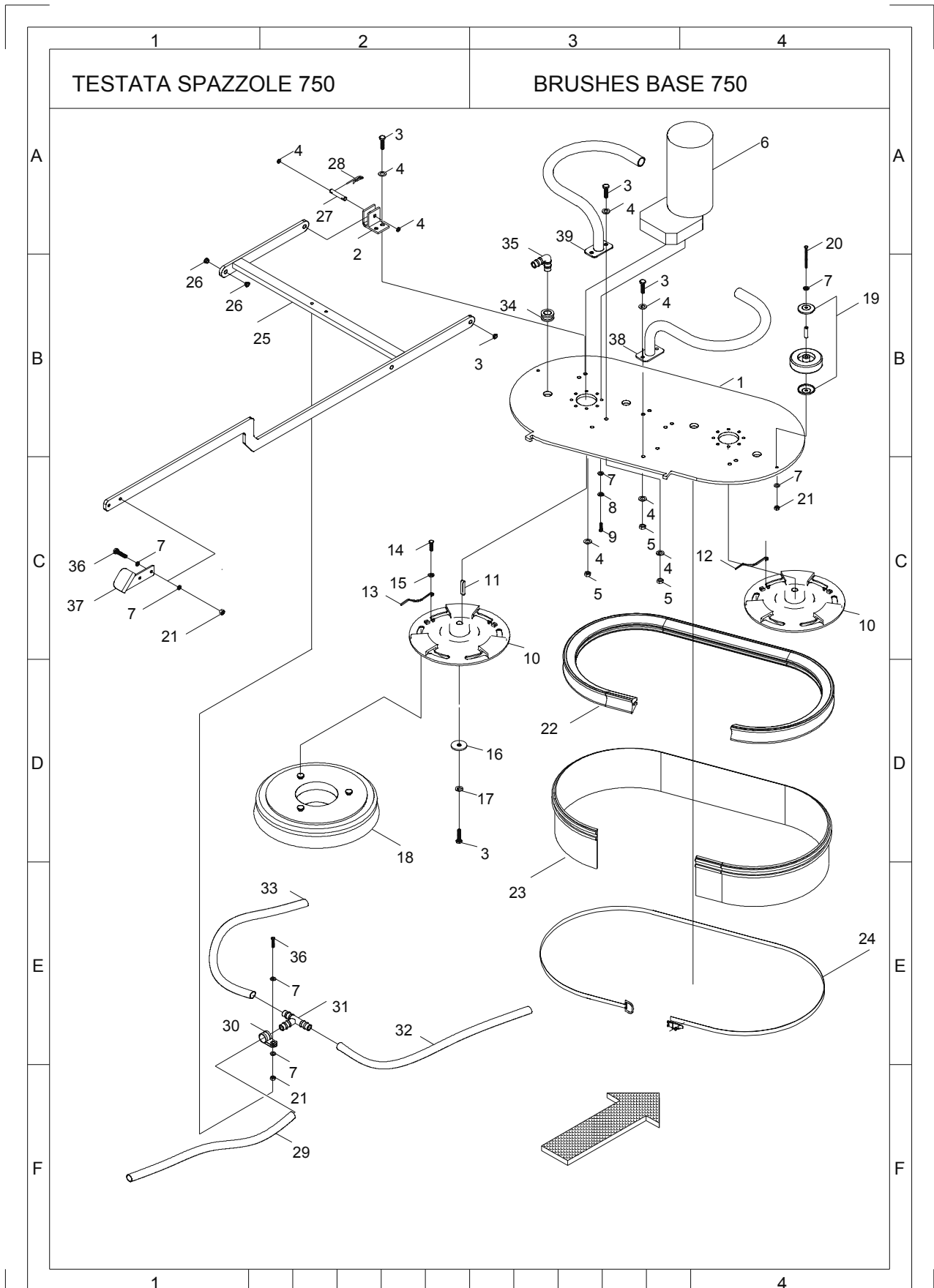
POS	Articolo	Q	DESCRIZIONE	DENOMINATION	NOMENCLATURE	BEZEICHNUNG
1	4410-0003-0	1	MOTORE ELETTRICO	MOTOR	MOTO	MOTOR
2	2400-0007-0	1	SEMIASSE SINISTRO	AXLE SHAFT	DEMI-ESSIEU	ACHSWELLE
3	2400-0006-0	1	SEMIASSE DESTRO	AXLE SHAFT	DEMI-ESSIEU	ACHSWELLE
4	11-1020-000	3	CUSCINETTO	BEARING	ROULEMENT	LAGER
5	2220-00111-0	1	BOCCOLA	BUSHING	BAGUE	BUCHSE
6	12-0301-000	2	RUOTA	WHEEL	ROUE	RAD
7	10-2037-000	2	RONDELLA PIANA Ø18	LEVEL WASHER	RONDELLE	UNTERLAGSCHEIBE
8	10-1116-000	2	DADO M 18 AUTOBLOCCANTE	LOCK NUT	ECROU AUTOBLOQUANT	STOPMUTTER
9	11-8100-001	3	SUPPORTO CUSCINETTO INFER.	SOPPORT	SOPPORT	HALTERUNG
10	11-8100-000	3	SUPPORTO CUSCINETTO SUPER.	SOPPORT	SOPPORT	HALTERUNG
11	10-0104-225	6	VITE TCEI M 8 X 80 PIANA	SCREW	VIS	SCHRAUBE
12	10-2223-000	6	RONDELLA DENTELLATA Ø8	LOCK WASHER	RONDELLE FREIN	ZAHNSCHEIBE
13	10-0103-120	4	VITE TCEI M 6 X 30 PIANA	SCREW	VIS	SCHRAUBE
14	10-2218-000	4	RONDELLA DENTELLATA Ø6	LOCK WASHER	RONDELLE FREIN	ZAHNSCHEIBE
15	10-3104-070	2	CHIAVETTA 6 X 6 X 20	KEY	CLAVETTE	KEIL
16	2120-0008-1	1	PIASTRA	PLAQUE	PLAQUETTE	BEFESTIGUNGSAUFLAGE



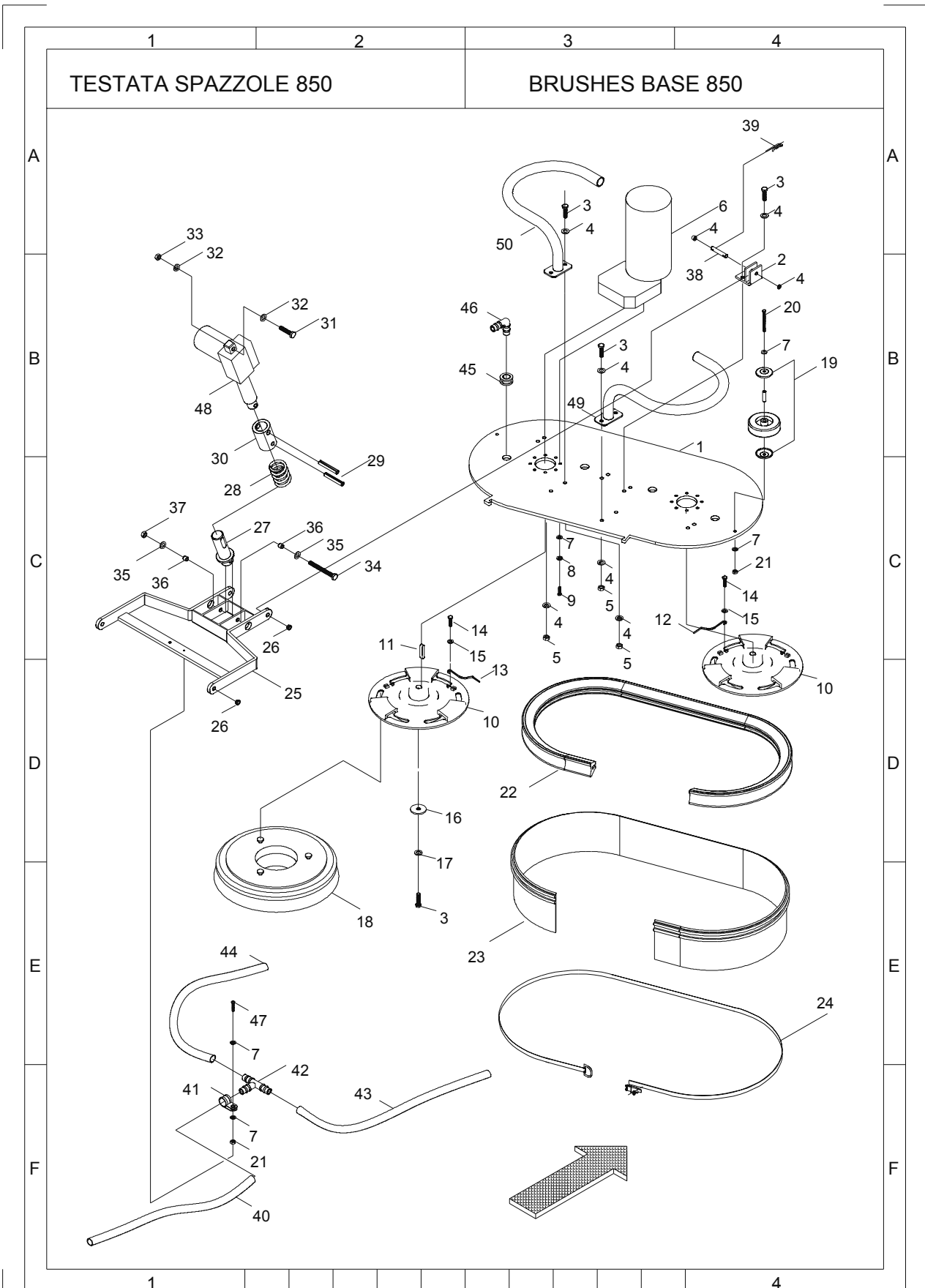
POS	Articolo	Q	DESCRIZIONE	DENOMINATION	NOMENCLATURE	BEZEICHNUNG
1	3920-0005-0A	1	TERGIPAVIMENTO	SQEEGEE	SUCEUR	SAUGFUSS
2	2260-0011-1A	1	FERMO GUARNIZIONE POSTER.	BLADE	PLAQUETTE	LEISTE
3	2260-0012-1A	1	FERMO GUARNIZIONE ANTER.	BLADE	PLAQUETTE	LEISTE
4	2705-0009-0	1	GUARNIZIONE ESTERNA	GASKET	JOINT	DICHTUNG
5	2705-0010-0	1	GUARNIZIONE INTERNA	GASKET	JOINT	DICHTUNG
6	10-2018-001	21	RONDELLA PIANA Ø6 X 18	LEVEL WASHER	RONDELLE	UNTERLAGSCHEIBE
7	10-1103-000	4	DADO M 6 AUTOBLOCCANTE	LOCK NUT	ECROU AUTOBLOQUANT	STOPMUTTER
8	12-0000-000	2	RUOTA FOLLE Ø50	WHEEL	ROUE	ROLLE
9	10-2018-000	6	RONDELLA PIANA Ø6	LEVEL WASHER	RONDELLE	UNTERLAGSCHEIBE
10	10-6203-001	21	VOLANTINO M 6	HANDWHEEL	VOLANT	DREHGRIFF
11	2610-0006-0A	1	TIRANTE TERGIPAVIMENTO	ARM	BRAS	ARM
12	2610-0003-0A	1	TIRANTE TERGIPAVIMENTO	ARM	BRAS	ARM
13	3611-0000-0	1	GUIDA DI REGOLAZIONE TIRANTE	SLIDE	GUIDE	SCHUH
14	10-0003-150	1	VITE TE M 6 X 45	SCREW	VIS	SCHRAUBE
15	10-2023-000	8	RONDELLA PIANA Ø8	LEVEL WASHER	RONDELLE	UNTERLAGSCHEIBE
16	11-0110-000	2	BOCCOLA Ø8 AUTOLUBRIF.	BUSHING	BAGUE	BUCHSE
17	2211-0003-0	2	PERNO PER TERGIPAVIMENTO Ø8	PIN	AXE	BOLZEN
18	10-4500-000	4	COPIGLIA A "R" Ø1,8	SPLIT PIN	GOUPILLE	SPLINT
19	10-0006-110	1	VITE TE M 10 X 25	SCREW	VIS	SCHRAUBE
20	10-2027-000	3	RONDELLA PIANA Ø10	LEVEL WASHER	RONDELLE	UNTERLAGSCHEIBE
21	10-7000-001	1	ARTICOLAZIONE SFERICA	JOINT	JOINT	GELEK
22	10-0006-225	1	VITE TE M 10 X 80 PARZ. FILETTATA	SCREW	VIS	SCHRAUBE
23	2220-0017-0	2	INSERTO	INSERT	SUPPLEMENT	AKTENBUENDEL
24	10-1106-000	1	DADO M 10 AUTOBLOCCANTE	LOCK NUT	ECROU AUTOBLOQUANT	STOPMUTTER
25	2130-0149-0A	1	SUPPORTO SNODO	SUPPORT	SUPPORT	HALTERUNG
26	10-0004-100	2	VITE TE M 8 X 20	SCREW	VIS	SCHRAUBE
27	10-1104-000	2	DADO M 8 AUTOBLOCCANTE	LOCK NUT	ECROU AUTOBLOQUANT	STOPMUTTER
28	3070-0007-0	1	FUNE FLESSIBILE	CABLE	CABLE	KABEL
29	10-0003-100	1	VITE TE M 6 X 20	SCREW	VIS	SCHRAUBE



POS	Articolo	Q	DESCRIZIONE	DENOMINATION	NOMENCLATURE	BEZEICHNUNG
1	3920-0007-0A	1	TERGIPAVIMENTO	SQEEGEE	SUCEUR	SAUGFUSS
2	2260-0025-1A	1	FERMO GUARNIZIONE POSTER.	BLADE	PLAQUETTE	LEISTE
3	2260-0022-1A	1	FERMO GUARNIZIONE ANTER.	BLADE	PLAQUETTE	LEISTE
4	2705-0013-0	1	GUARNIZIONE ESTERNA	GASKET	JOINT	DICHTUNG
5	2705-0014-0	1	GUARNIZIONE INTERNA	GASKET	JOINT	DICHTUNG
6	10-2018-001	21	RONDELLA PIANA Ø6 X 18	LEVEL WASHER	RONDELLE	UNTERLAGSCHEIBE
7	10-1103-000	4	DADO M 6 AUTOBLOCCANTE	LOCK NUT	ECROU AUTOBLOQUANT	STOPMUTTER
8	12-0000-000	2	RUOTA FOLLE Ø50	WHEEL	ROUE	ROLLE
9	10-2018-000	6	RONDELLA PIANA Ø6	LEVEL WASHER	RONDELLE	UNTERLAGSCHEIBE
10	10-6203-001	21	VOLANTINO M 6	HANDWHEEL	VOLANT	DREHGRIFF
11	2610-0006-0A	1	TIRANTE TERGIPAVIMENTO	ARM	BRAS	ARM
12	2610-0003-0A	1	TIRANTE TERGIPAVIMENTO	ARM	BRAS	ARM
13	3611-0000-0	1	GUIDA DI REGOLAZIONE TIRANTE	SLIDE	GUIDE	SCHUH
14	10-0003-150	1	VITE TE M 6 X 45	SCREW	VIS	SCHRAUBE
15	10-2023-000	8	RONDELLA PIANA Ø8	LEVEL WASHER	RONDELLE	UNTERLAGSCHEIBE
16	11-0110-000	2	BOCCOLA Ø8 AUTOLUBRIF.	BUSHING	BAGUE	BUCHSE
17	2211-0003-0	2	PERNO PER TERGIPAVIMENTO Ø8	PIN	AXE	BOLZEN
18	10-4500-000	4	COPIGLIA A "R" Ø1,8	SPLIT PIN	GOUPILLE	SPLINT
19	10-0006-110	1	VITE TE M 10 X 25	SCREW	VIS	SCHRAUBE
20	10-2027-000	3	RONDELLA PIANA Ø10	LEVEL WASHER	RONDELLE	UNTERLAGSCHEIBE
21	10-7000-001	1	ARTICOLAZIONE SFERICA	JOINT	JOINT	GELEK
22	10-0006-225	1	VITE TE M 10 X 80 PARZ. FILETTATA	SCREW	VIS	SCHRAUBE
23	2220-0017-0	2	INSERTO	INSERT	SUPPLEMENT	AKTENBUENDEL
24	10-1106-000	1	DADO M 10 AUTOBLOCCANTE	LOCK NUT	ECROU AUTOBLOQUANT	STOPMUTTER
25	2130-0149-0A	1	SUPPORTO SNODO	SUPPORT	SUPPORT	HALTERUNG
26	10-0004-100	2	VITE TE M 8 X 20	SCREW	VIS	SCHRAUBE
27	10-1104-000	2	DADO M 8 AUTOBLOCCANTE	LOCK NUT	ECROU AUTOBLOQUANT	STOPMUTTER
28	2270-0002-0	1	CATENA	CABLE	CABLE	KABEL
29	10-0003-100	1	VITE TE M 6 X 20	SCREW	VIS	SCHRAUBE



POS	Articolo	Q	DESCRIZIONE	DENOMINATION	NOMENCLATURE	BEZEICHNUNG
1	2130-0131-2A	1	SUPPORTO MOTORI	SUPPORT	SUPPORT	HALTERUNG
2	3140-0000-0A	2	FORCELLA	FORK	CHAPPE	GABELKOPF
3	10-0004-110	8	VITE TE M 8 X 25	SCREW	VIS	SCHRAUBE
4	10-2023-000	20	RONDELLA PIANA Ø8	LEVEL WASHER	RONDELLE	UNTERLAGSCHEIBE
5	10-1104-000	8	DADO M 8 AUTOBLOCCANTE	LOCK NUT	ECROU AUTOBLOQUANT	STOPMUTTER
6	13-0002-000	2	MOTORE 36V DC	MOTOR	MOTO	MOTOR
7	10-2018-000	24	RONDELLA PIANA Ø6	LEVEL WASHER	RONDELLE	UNTERLAGSCHEIBE
8	10-2218-000	16	RONDELLA DENTELLATA Ø6	LOCK WASHER	RONDELLE FREIN	ZAHNSCHEIBE
9	10-0003-080	18	VITE TE M 6 X 16	SCREW	VIS	SCHRAUBE
10	3452-0001-0	2	DISCO SPAZZOLA	PLATE	PLATEAU	BURSTENTRAGER
11	10-3104-100	2	CHIAVETTA 6 X 6 X 30	KEY	CLAVETTE	KEIL
12	2820-0000-0Y	1	MOLLA DESTRA	SPRING	RESSORT	FEDER
13	2820-0002-0Y	1	MOLLA SINISTRA	SPRING	RESSORT	FEDER
14	10-0003-050	2	VITE TE M 6 X 10	SCREW	VIS	SCHRAUBE
15	10-2018-001	2	RONDELLA PIANA Ø6 X 18	LEVEL WASHER	RONDELLE	UNTERLAGSCHEIBE
16	10-2023-002	2	RONDELLA PIANA Ø8 X 32	LEVEL WASHER	RONDELLE	UNTERLAGSCHEIBE
17	10-2123-000	2	RONDELLA SPACCATA Ø8	LOCK WASHER	RONDELLE FREIN	ZAHNSCHEIBE
18	4905-0003-0	2	SPAZZOLA	BRUSH	BROSSE	BURSTE
19	12-0000-001	2	RUOTA FOLLE Ø80	WHEEL	ROUE	ROLLE
20	10-0003-150	2	VITE TE M 6 X 45	SCREW	VIS	SCHRAUBE
21	10-1103-000	5	DADO M 6 AUTOBLOCCANTE	LOCK NUT	ECROU AUTOBLOQUANT	STOPMUTTER
22	2375-0014-0	1	PARACOLPI	GASKET	JOINT	DICHTUNG
23	2375-0013-0	1	PARASPRUZZI	SPLASH GUARD	BAVETTE	SPRITZGUMMI
24	3691-0002-0	1	REGGETTA	BLADE	PLAQUETTE	LEISTE
25	3020-0009-0A	1	LEVA	LEVER	LEVIER	HEBEL
26	11-0110-000	8	BOCCOLA Ø8 AUTOLUBRIF.	BUSHING	BAGUE	BUCHSE
27	2211-0002-0	2	PERNO Ø8	PIN	AXE	BOLZEN
28	10-4500-000	4	COPIGLIA A "R" Ø1,8	SPLIT PIN	GOUPILLE	SPLINT
29	2665-0042-0	1	TUBO IN GOMMA	HOSE	TUYAU	SCHLAUCH
30	10-5003-000	1	FASCETTA	CLAMP	COLLIER	BRIDE
31	15-3331-000	1	RACCORDO A "T"	CONNECTOR	RACCORD	VERSCHRAUBUNG
32	2665-0043-0	1	TUBO IN GOMMA	HOSE	TUYAU	SCHLAUCH
33	2665-0044-0	1	TUBO IN GOMMA	HOSE	TUYAU	SCHLAUCH
34	15-1320-000	2	PASSAPARETE	DRAIN OUTLET	GOULOT DE VIDAGE	ENTLEERUNGSSTUTZEN
35	15-3321-000	2	RACCORDO A 90°	CONNECTOR	RACCORD	VERSCHRAUBUNG
36	10-0003-100	1	VITE TE M 6 X 20	SCREW	VIS	SCHRAUBE
37	2030-0003-0A	1	PEDALE	PEDAL	PEDALE	PEDAL
38	3330-0004-0A	1	ROLL-BAR DESTRO	ROLL-BAR	ROLL-BAR	ROLL-BAR
39	3330-0003-0A	1	ROLL-BAR SINISTRO	ROLL-BAR	ROLL-BAR	ROLL-BAR



POS	Articolo	Q	DESCRIZIONE	DENOMINATION	NOMENCLATURE	BEZEICHNUNG
1	2130-0161-2A	1	SUPPORTO MOTORI	SUPPORT	SUPPORT	HALTERUNG
2	3140-0000-0A	2	FORCELLA	FORK	CHAPPE	GABELKOPF
3	10-0004-110	8	VITE TE M 8 X 25	SCREW	VIS	SCHRAUBE
4	10-2023-000	20	RONDELLA PIANA Ø8	LEVEL WASHER	RONDELLE	UNTERLAGSCHEIBE
5	10-1104-000	8	DADO M 8 AUTOBLOCCANTE	LOCK NUT	ECROU AUTOBLOQUANT	STOPMUTTER
6	13-0002-000	2	MOTORE 36V DC	MOTOR	MOTO	MOTOR
7	10-2018-000	20	RONDELLA PIANA Ø6	LEVEL WASHER	RONDELLE	UNTERLAGSCHEIBE
8	10-2218-000	16	RONDELLA DENTELLATA Ø6	LOCK WASHER	RONDELLE FREIN	ZAHNSCHEIBE
9	10-0003-080	16	VITE TE M 6 X 16	SCREW	VIS	SCHRAUBE
10	3452-0001-0	2	DISCO SPAZZOLA	PLATE	PLATEAU	BURSTENTRAGER
11	10-3104-100	2	CHIAVETTA 6 X 6 X 30	KEY	CLAVETTE	KEIL
12	2820-0000-0Y	1	MOLLA DESTRA	SPRING	RESSORT	FEDER
13	2820-0002-0Y	1	MOLLA SINISTRA	SPRING	RESSORT	FEDER
14	10-0003-050	2	VITE TE M 6 X 10	SCREW	VIS	SCHRAUBE
15	10-2018-001	2	RONDELLA PIANA Ø6 X 18	LEVEL WASHER	RONDELLE	UNTERLAGSCHEIBE
16	10-2023-002	2	RONDELLA PIANA Ø8 X 32	LEVEL WASHER	RONDELLE	UNTERLAGSCHEIBE
17	10-2123-000	2	RONDELLA SPACCATA Ø8	LOCK WASHER	RONDELLE FREIN	ZAHNSCHEIBE
18	4905-0004-0	2	SPAZZOLA	BRUSH	BROSSE	BURSTE
19	12-0000-001	2	RUOTA FOLLE Ø80	WHEEL	ROUE	ROLLE
20	10-0003-150	2	VITE TE M 6 X 45	SCREW	VIS	SCHRAUBE
21	10-1103-000	3	DADO M 6 AUTOBLOCCANTE	LOCK NUT	ECROU AUTOBLOQUANT	STOPMUTTER
22	2375-0016-0	1	PARACOLPI	GASKET	JOINT	DICHTUNG
23	2375-0015-0	1	PARASPRUZZI	SPLASH GUARD	BAVETTE	SPRITZGUMMI
24	3691-0003-0	1	REGGETTA	BLADE	PLAQUETTE	LEISTE
25	3280-0006-0A	1	LEVA	LEVER	LEVIER	HEBEL
26	11-0110-000	8	BOCCOLA Ø8 AUTOLUBRIF.	BUSHING	BAGUE	BUCHSE
27	2210-0001-0C	1	PERNO	PIN	AXE	BOLZEN
28	2810-0001-0Y	1	MOLLA	SPRING	RESSORT	FEDER
29	10-4111-190	2	SPINA ELASTICA Ø10 X 50	SPRING	FOURCHETTE	SPANNSTIFT
30	2221-0002-0	1	BOCCOLA	BUSHING	BAGUE	BUCHSE
31	10-0006-175	1	VITE TE M 10 X 55 PARZ. FILETTATA	SCREW	VIS	SCHRAUBE
32	10-2027-000	2	RONDELLA PIANA Ø10	LEVEL WASHER	RONDELLE	UNTERLAGSCHEIBE
33	10-1106-000	1	DADO M 10 AUTOBLOCCANTE	LOCK NUT	ECROU AUTOBLOQUANT	STOPMUTTER
34	10-0009-225	1	VITE TE M 12 X 80 PARZ. FILETTATA	SCREW	VIS	SCHRAUBE
35	10-2031-000	2	RONDELLA PIANA Ø12	LEVEL WASHER	RONDELLE	UNTERLAGSCHEIBE
36	2225-0000-0	2	BOCCOLA	BUSHING	BAGUE	BUCHSE
37	10-1109-000	1	DADO M 12 AUTOBLOCCANTE	LOCK NUT	ECROU AUTOBLOQUANT	STOPMUTTER
38	2211-0002-0	2	PERNO Ø8	PIN	AXE	BOLZEN
39	10-4500-000	4	COPIGLIA A "R" Ø1,8	SPLIT PIN	GOUPILLE	SPLINT
40	2665-0046-0	1	TUBO IN GOMMA	HOSE	TUYAU	SCHLAUCH
41	10-5003-000	1	FASCETTA	CLAMP	COLLIER	BRIDE
42	15-3331-000	1	RACCORDO A "T"	CONNECTOR	RACCORD	VERSCHRAUBUNG
43	2665-0047-0	1	TUBO IN GOMMA	HOSE	TUYAU	SCHLAUCH
44	2665-0048-0	1	TUBO IN GOMMA	HOSE	TUYAU	SCHLAUCH
45	15-1320-000	2	PASSAPARETE	DRAIN OUTLET	GOULOT DE VIDAGE	ENTLEERUNGSSTUTZEN
46	15-3321-000	2	RACCORDO A 90°	CONNECTOR	RACCORD	VERSCHRAUBUNG
47	10-0003-100	1	VITE TE M 6 X 20	SCREW	VIS	SCHRAUBE
48	15-0222-002	1	ATTUATORE LINEARE	LINEAR ACTUATOR	VERIN	HUBSPINDELANTRIEBE
49	3330-0004-0A	1	ROLL-BAR DESTRO	ROLL-BAR	ROLL-BAR	ROLL-BAR
50	3330-0003-0A	1	ROLL-BAR SINISTRO	ROLL-BAR	ROLL-BAR	ROLL-BAR