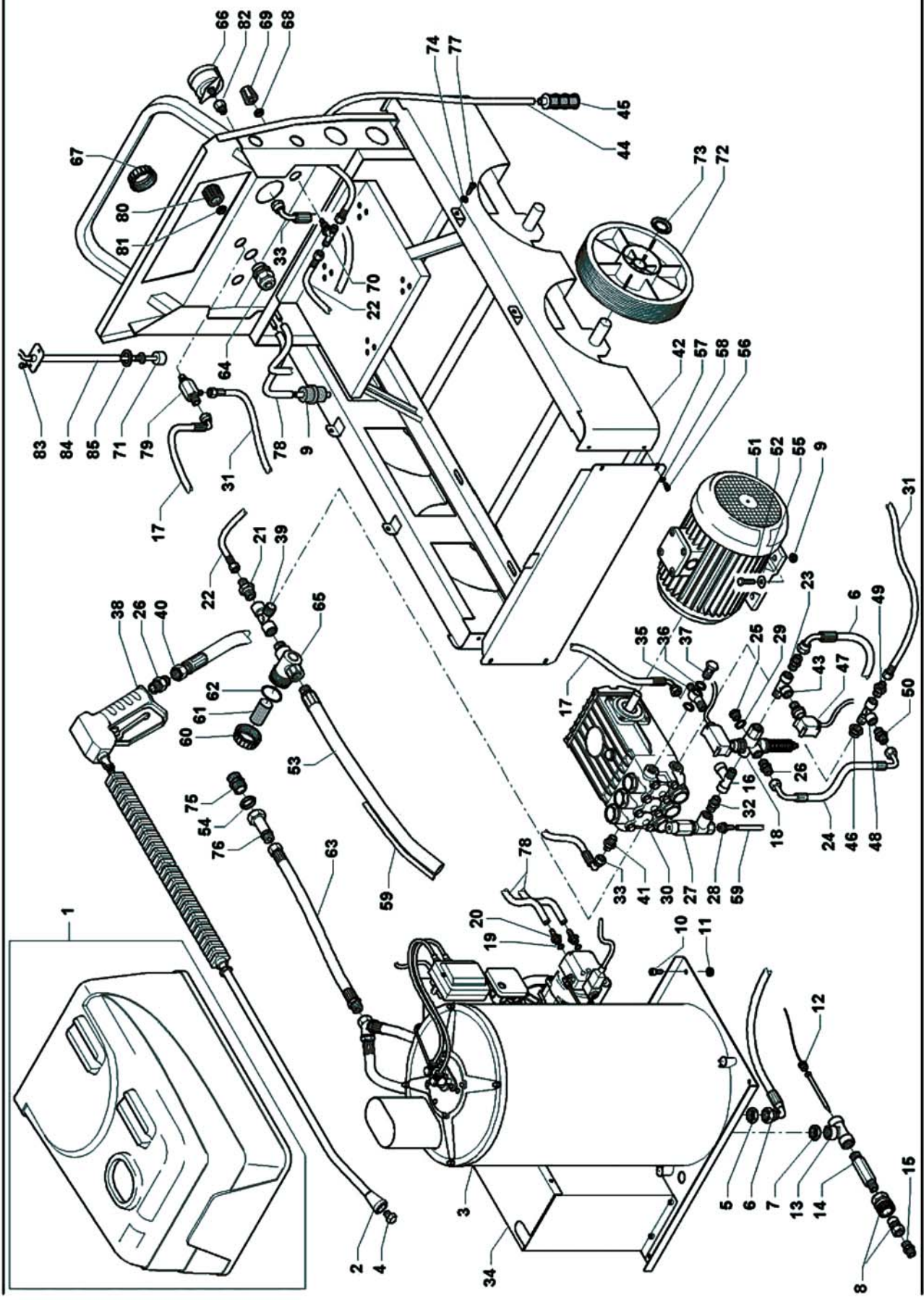




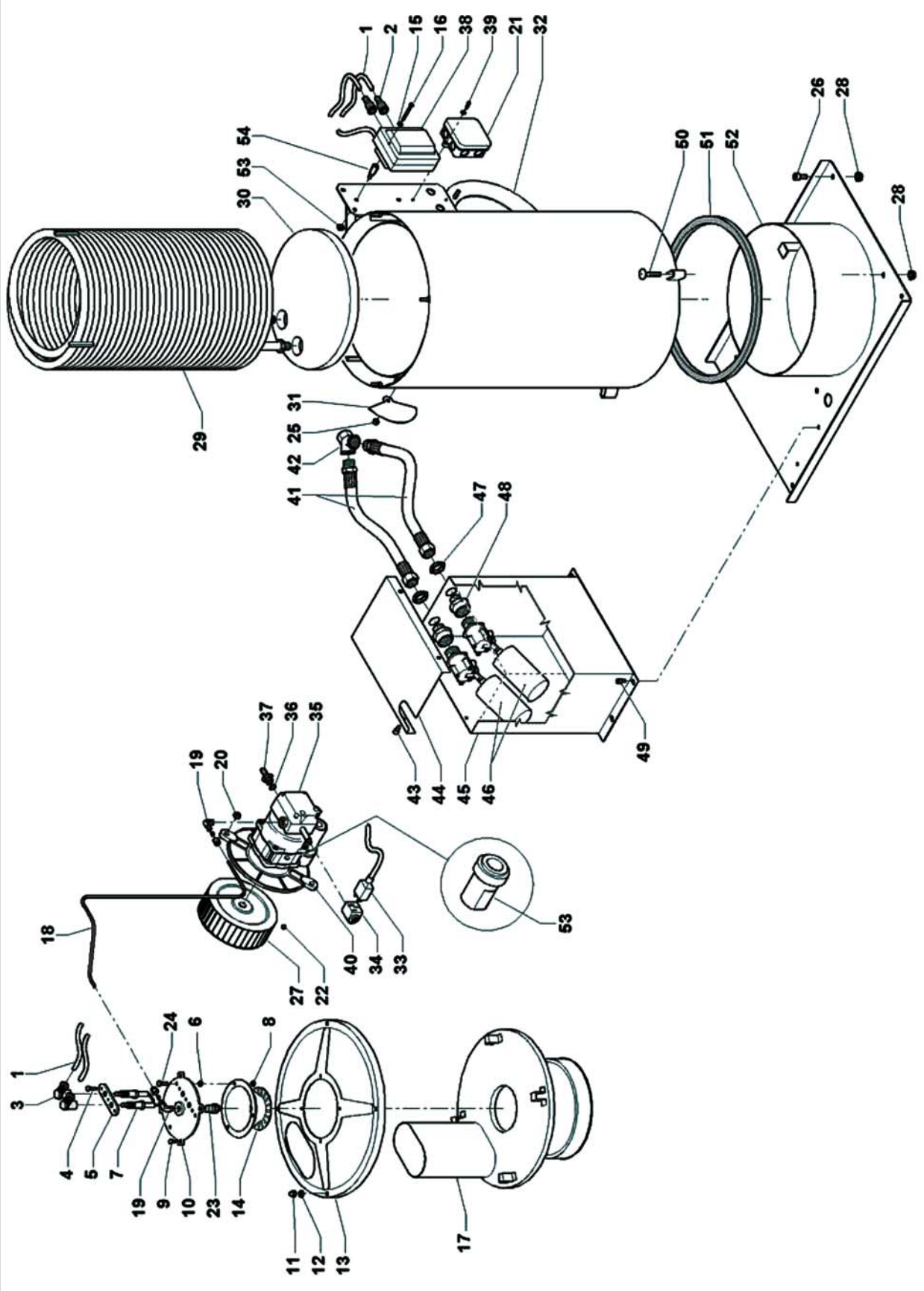
Por favor, al realizar un pedido de recambios, indique la referencia de la pieza,  
la máquina a la que pertenece, el número de página del despiece y la posición.  
Muchas gracias.



Pos	Codice	Q	Note	Descrizione	Description	Beschreibung	Descrizione
1	T600001	1	ROSSO	COFANO	BONNET	HAUBE	CUBIERTA
2	T600002	1	GIALLO	COFANO	BONNET	HAUBE	CUBIERTA
3	T600003	1	1,2 CM	LANCIA			
4	T600004	1		CALDAIA COMPLETA			
5	T600005	1	06/15" 1/4" MEG PER 200/21	UGELLO	NOZZLE	DUSE	TOBERA
6	T600006	1	09/15" 1/4" MEG PER 200/30	UGELLO	NOZZLE	DUSE	TOBERA
7	T600007	1	04/15" 1/4" MEG PER 300/20	UGELLO	NOZZLE	DUSE	TOBERA
8	T600008	1	1/2"	DADO	NUT	MUTTER	TUERCA
9	T600009	1	3/8"-1/2" F 90°	TUBO CARICO SERPENTINA	PIPE	ROHR	TUBO
10	T600010	1	1/2"	DADO	NUT	MUTTER	TUERCA
11	T600011	1		ATTACCO RAPIDO SFERA COMPLETO			
12	T600012	1		FILTRO GASOLIO	FILTER	FILTER	FILTRO
13	T600013	4	M8x20 VTSEI	VITE	SCREW	SCHRAUBE	TORNILLO
14	T600014	4	M8	DADO	NUT	MUTTER	TUERCA
15	T600015	1		TERMOSTATO 140°			
16	T600016	1	FFF 1/2" - 1/2" M14	RACCORDO A T	FITTING	VERBINDUNG	EMPALME
17	T600017	1	L100 - 1/2" 3/8"	RACCORDO USCITA SERPENTINA	FITTING	VERBINDUNG	EMPALME
18	T600018	1	3/8" - 3/8"	NIPLO	NIPLE	VERBINDUNGSTEIL	NIPLE
19	T600019	1	MFF 3/8"	RACCORDO A T	FITTING	VERBINDUNG	EMPALME
20	T600020	1		TUBO VAPORE	PIPE	ROHR	EMPALME
21	T600021	1	OR 1/4"	VALVOLA PULSAR 3 CON MICRO	VALVE	SOLENOID	VALVOLA
22	T600022	2	1/4"	GUARNIZIONE	SEAL	DICHTUNG	JUNTA
23	T600023	2	1/2" - 1/4"	PORTAGOMMA	NIPLE	VERBINDUNGSTEIL	NIPLE
24	T600024	1	1/2" - 1/4"	NIPLO	PIPE	ROHR	NIPLE
25	T600025	1	3/8" - 3/8"	TUBO INTERNO ASPIR. DETERGENTE	NIPLE	VERBINDUNGSTEIL	NIPLE
26	T600026	1	3/8"	TUBO BY-PASS	PIPE	ROHR	NIPLE
27	T600027	1	1/4"	TAPPO	PIPE	ROHR	TUBO
28	T600028	1	3/8" - 3/8"	NIPLO	PIPE	ROHR	TUBO
29	T600029	1	VS 220	VALVOLA DI SICUREZZA BIG MACH 2021	NIPLE	VERBINDUNGSTEIL	NIPLE
30	T600030	1	VS 350	VALVOLA DI SICUREZZA BIG MACH 2030/3020	VALVE	SOLENOID	VALVOLA
31	T600031	1	3/8"	PORTA GOMMA	FITTING	VERBINDUNG	EMPALME
32	T600032	1	1/4"	GUARNIZIONE	SEAL	DICHTUNG	EMPALME
33	T600033	1	WS 202 DX	POMPA	PUMP	PUMPE	BOMBA
34	T600034	1	HC 950 DX	POMPA	PUMP	PUMPE	BOMBA
35	T600035	1	HC 930 DX	POMPA	PUMP	PUMPE	BOMBA
36	T600036	1	RETINATO 1/4"	TUBO RITORNO VAPORE	PIPE	ROHR	TUBO
37	T600037	1	3/8" - 3/8"	NIPLO	NIPLE	VERBINDUNGSTEIL	NIPLE
38	T600038	1	1/4"	TUBO MANOMETRO	PIPE	ROHR	TUBO
39	T600039	1		VASCHETTA ACQUA	FITTING	VERBINDUNG	EMPALME
40	T600040	1	3/8" - 1/4" MM	RACCORDO OCCHIO	FITTING	VERBINDUNG	EMPALME
41	T600041	1	3/8" RAME	GUARNIZIONE	SEAL	DICHTUNG	EMPALME
42	T600042	1	3/8"	VITE CAVA	SCREW	SCHRAUBE	TORNILLO
43	T600043	1	RL 35 + S W8	PISTOLA PER 2021	PISTOLET	PISTOLE	PISTOLA
44	T600044	1	RL 55 INOX	PISTOLA PER 2030-3020	PISTOLET	PISTOLE	PISTOLA
45	T600045	1	FMF 1/2"	RACCORDO A T	RACCORD	VERBINDUNG	EMPALME
46	T600046	1	10 M R2 400BAR 3/8" 3/8" FF	TUBO	TUYAU	ROHR	EMPALME
47	T600047	1	15 M R2 400BAR 3/8" 3/8" FF	TUBO	TUYAU	ROHR	EMPALME
48	T600048	1	3/8" - 1/4"	NIPLO	NIPLE	VERBINDUNGSTEIL	NIPLE
49	T600049	1	BIG MACH	TELAIO	FRAME	RAHMEN	BASTIDOR

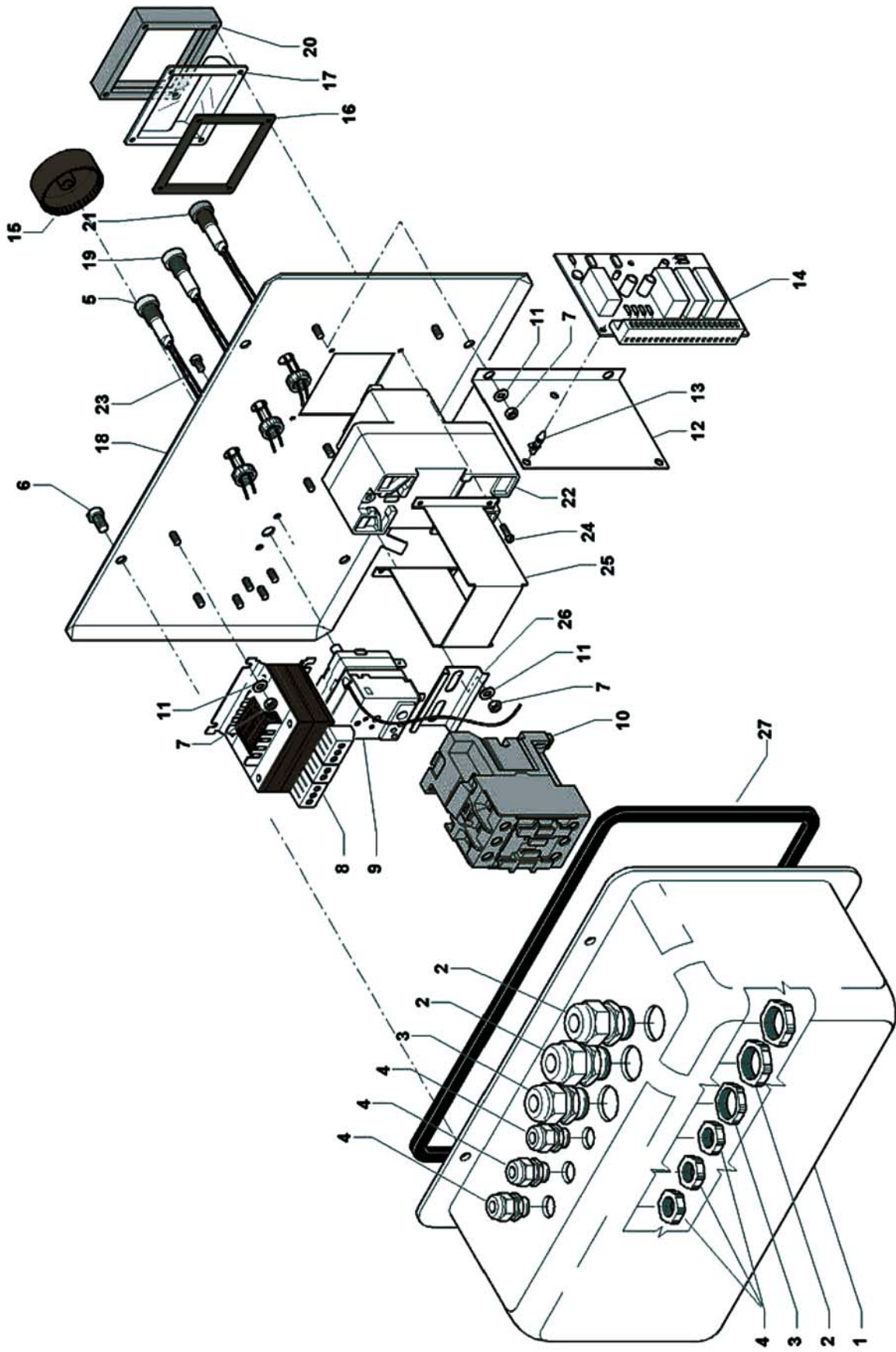


Pos	Codice	Q	Note	Descrizione	Description	Description	Beschreibung	Descrizione
43	T600051	1	MFF 3/8"	RACCORDO A T	FITTING	RACCORD	VERBINDUNG	EMPALME
44	T600052	1	ASP DETERGENTE	TUBO RETINATO	PIPE	TUYAU	ROHR	TUBO
45	T600053	1		FILTRO DETERGENTE	FILTER	FILTRE	FILTER	FILTRO
46	T600054	1	1/2" M - 3/8" F	RIDUZIONE	FITTING	RACCORD	VERBINDUNG	EMPALME
47	T600055	1	PR5	PRESSOSTATO	FITTING	PRESSOSTAT	DRUCKWÄCHTER	PRESSOSTATO
48	T600056	1	MFF3/8"	RACCORDO A T	FITTING	RACCORD	VERBINDUNG	EMPALME
49	T600057	1	3/8" - 1/4"	NIPLO	NIPLE	NIPLE	VERBINDUNGSTEIL	NIPLE
50	T600058	1	3/8" - 3/8"	NIPLO	NIPLE	NIPLE	VERBINDUNGSTEIL	NIPLE
51	T600059	1	10 HP 1450RPM	MOTORE	MOTOR	MOTEUR	MOTOR	MOTOR
51	T600060	1	12,5 HP 1450RPM	MOTORE	MOTOR	MOTEUR	MOTOR	MOTOR
51	T600061	1	15 HP 1450RPM	MOTORE	MOTOR	MOTEUR	MOTOR	MOTOR
52	T600062	4	TE M8X30	VITE	SCREW	VIS	SCHRAUBE	TORNILLO
53	T600063	1	3/8" - 3/4"	TUBO ENTRATA ACQUA	PIPE	TUYAU	ROHR	TUBO
54	T600064	1	3/4"	DADO	NUT	ECROU	MUTTER	TUERCA
55	T600065	4	Ø8	RONDELLA	WASHER	RONDELLE	UNTERLEGS SCHEIBE	ARANDELA
56	T600066	4	M5 X10	VITE	SCREW	VIS	SCHRAUBE	TORNILLO
57	T600067	1		FASCIA POSTERIORE TELAIO	WASHER	RONDELLE	UNTERLEGS SCHEIBE	ARANDELA
58	T600068	1	Ø5	RONDELLA	PIPE	TUYAU	ROHR	TUBO
59	T600069	1		TUBICINO SCARICO ACQUA	FILTER	FILTRE	FILTER	FILTRO
60	T600070	1		TAPPO ASPIRAZIONE ACQUA	PIPE	TUYAU	ROHR	TUBO
61	T600071	1		FILTRO INOX	FILTER	FILTRE	FILTER	FILTRO
62	T600072	1	1/2" M 1/2" F	OR FILTRO	PIPE	TUYAU	ROHR	TUBO
63	T600073	1		TUBO ASPIRAZIONE ACQUA	STRAIN RELIEF	PRESSE ETOUPE	KLEMMKABEL	EMPUJADOR
64	T600074	2	PG21	PRESSACAVO	PIPE	TUYAU	ROHR	TUBO
65	T600075	1		CORPO FILTRO ASP. ACQUA	PRESSURE GAUGE	MANOMETRE	MANOMETER	MANOMETRO
66	T600076	1	400BAR Ø63 INOX	MANOMETRO	PLUG	BOUCHON	STOPFEN	TAPON
67	T600077	1	2"	TAPPO GASOLIO	NUT	ECROU	MUTTER	TUERCA
68	T600078	1	1/4"	DADO	HANDLE	POIGNEE	GRIFF	ASIDERO
69	T600079	1		MANOPOLA	COCK	ROBINET	VENTIL	GRIFO
70	T600080	1		RUBINETTO ASPIRAZIONE DETERG	WHEEL	ROUE	RAD	RUEDA
71	T600081	1		LIVELLOSTATO	RING	BAGUE	RING	ANILLO
72	T600082	2	Ø250 FORO Ø25MM	RUOTA	WASHER	RONDELLE	UNTERLEGS SCHEIBE	ARANDELA
73	T600083	2	Ø25	ANELLO DI FERMO RUOTA	NIPLE	NIPLE	VERBINDUNGSTEIL	NIPLE
74	T600084	2	Ø6MM	RONDELLA	SCREW	VIS	SCHRAUBE	TORNILLO
75	T600085	1	3/4" - 3/4"	NIPLO	PIPE	TUYAU	ROHR	TUBO
76	T600086	1	3/4" F - 1/2" M	ANTICALCARE	COCK	ROBINET	VENTIL	GRIFO
77	T600087	2	M6X16	VITE	HANDLE	POIGNEE	GRIFF	ASIDERO
78	T600088	1		TUBO GASOLIO	NUT	ECROU	MUTTER	TUERCA
79	T600089	1		RUBINETTO VAPORE	FITTING	RALLONGE	VERLÄNGERUNG	ALARGADOR
80	T600090	1		MANOPOLA	SCREW	VIS	SCHRAUBE	TORNILLO
81	T600091	1	1/4"	DADO	PIPE	TUYAU	ROHR	TUBO
82	T600092	1	1/4" M - 1/4" F	PROLUNGA MANOMETRO	COCK	ROBINET	VENTIL	GRIFO
83	T600093	1	M5X10	VITE	HANDLE	POIGNEE	GRIFF	ASIDERO
84	T600094	1		SUPPORTO LIVELLOSTATO	NUT	ECROU	MUTTER	TUERCA
85	T600095	1		GUARNIZIONE OR	FITTING	RALLONGE	VERLÄNGERUNG	ALARGADOR





Pos	Codice	Q	Note	Descrizione	Description	Description	Beschreibung	Descrizione
1	C700001	1	1X17	CAVO	CABLE	FIL	KABEL	CABLE
2	C700002	2	VULCANIZZATO	ISOLATORE	INSULATOR	ISOLANT	ISOLATOR	AISCADOR
3	C700003	2	GRABOR	CONNETTORE	CONNECTION	CONNECTEUR	ANSCHLUSS	CONNECTOR
4	C700004	1	TE 5X20 UNI5739	VITE	SCREW	VIS	SCHRAUBE	TORNILLO
5	C700005	1	ELETTRODI	STAFFA	YOKE	ETRIER	SPANNEISEN	ESTRIBO
6	C700006	3		DADO	NUT	ECROU	MUTTER	TUERCA
7	C700007	2	KAI D3 0774198	ELETTRODO	ELECTRODE	ELECTRODE	ELEKTRODE	ELECTRODOS
8	C700008	1	M5	DADO	NUT	ECROU	MUTTER	TUERCA
9	C700009	3	TE M5X10 Z UNI5739	VITE	SCREW	VIS	SCHRAUBE	TORNILLO
10	C700010	1		SUPPORTO UGELLO	SUPPORT	SUPPORT	STÜTZE	SOPORTE
11	C700011	4	D6 Z	DADO CIECO	NUT	ECROU	MUTTER	TUERCA
12	C700012	4	6,4X11X1,6 Z	RONDELLA	WASHER	RONDELLE	UNTERLEGS-SCHEIBE	ARANDELA
13	C700013	1		COPERCHIO	COVER	COUVERCLE	DECKEL	TAPA
14	C700014	1	ALETTE ROVESCIAE	DEFLETTORE BIG MACH	DEFLECTOR	D'FLECTEUR	L'FTERREGELUNG	DEFLECTOR
15	C700015	2	Ø4	RONDELLA	WASHER	RONDELLE	UNTERLEGS-SCHEIBE	ARANDELA
16	C700016	2	M4X40	VITE	SCREW	VIS	SCHRAUBE	TORNILLO
17	C700017	1	H155	CAMINO CONO INTERNO	FUNNELÉAIR	CHEMINEE	SCHORNSTEIN	CHIMENEA
18	C700018	1	RAME BIG MACH	TUBO	PIPE	TUYAU	ROHR	TUBO
19	C700019	1	4X1/8"	RACCORDO GOMITO	FITTING	RACCORD	VERBINDUNG	EMPALME
20	C700020	2	M6	DADO	NUT	ECROU	MUTTER	TUERCA
21	C700021	1		SCATOLA DERIVAZIONE	BOX	BOÎTIER	KISTE	CAJA
22	C700022	1	M4	VITE GRANO	SCREW	VIS	SCHRAUBE	TORNILLO
23	C700023	1	1,75-60°	UGELLO BIG MACH 2021	NOZZLE	INJECTEUR	DUSE	TOBERA
24	C700024	1	2,00-60°	UGELLO BIG MACH 2030	NOZZLE	INJECTEUR	DUSE	TOBERA
25	C700025	3	TE M5X10 Z UNI5739	VITE	SCREW	VIS	SCHRAUBE	TORNILLO
26	C700026	6	M6	DADO	NUT	ECROU	MUTTER	TUERCA
27	C700027	4	TSP M8X20 Z NI7688	VITE	SCREW	VIS	SCHRAUBE	TORNILLO
28	C700028	1		VENTOLA	FAN	VENTILATEURS	LUFTRRADEN	VENTILADOR
29	C700029	4	M8 Z F	DADO	NUT	ECROU	MUTTER	TUERCA
30	C700030	1	BIG MACH - 21LT	SERPENTINA	FIRE TUBES	SERPENTIN	KSSEL	SERPENTIN
31	C700031	2	COIB. RIGIDO	DISCO	DISC	DISQUE	SCHEIBE	DISCO
32	C700032	1		SERRANDINA REG. ARIA	CONVEYOR	ENVELOPPE	BETRAGEN	DIFUSOR
33	C700033	1	VERNICIATA	CONVOGLIATORE	CABLE	FIL	KABEL	CABLE
34	C700034	1	F84 CRD VG L=700	CAVO	SOLENOIDÉ VALVE	SOLENOID ELECT.	SOLENOID VENTIL	ELECTRO-VALVULA
35	C700035	1	24 V	ELETTRO- VALVOLA	PUMP	POMPE	PUMPE	BOMBA
36	C700036	1	VM1LR24 1/4"	POMPA GASOLIO	WASHER	RONDELLE	UNTERLEGS- SCHEIBE	ARANDELA
37	C700037	2	1/4"	RONDELLA	HOSEFITTING	EMBOUÉDURITE	GUMMITRGER	PORTA MANGUERA
38	C700038	2	1/4"	PORTAGOMMA	TRANSFORMER	TRANSFORMA- TEUR	TRANSFORMATOR	TRANSFORMA- DOR
39	C700039	1	2X4KV 15MA-2815	VITE	SCREW	VIS	SCHRAUBE	TORNILLO
40	C700040	1		MOTORE BRUCIATORE	PIPE	TUYAU	ROHR	TUBO
41	C700041	2	230-50	TUBO ASP. ACQUA	PIPE	TUYAU	ROHR	TUBO
42	C700042	2	1/2"	DEVIATORE 3 VIE	SCREW	VIS	SCHRAUBE	TORNILLO
43	C700043	1	1/2"	VITE	COVER	COUVERCLE	DECKEL	TAPA
44	C700044	2	M5	COPERCHIO VASCHET.	COVER	COUVERCLE	DECKEL	TAPA
45	C700045	1		VASCHETTA ACQUA	NUT	ECROU	MUTTER	TUERCA
46	C700046	1	3/4"	GALLEGGIANTE PLAST.	FITTING	RÉDUCTION	REDUZIERSTÜCK	REDUCCÓN
47	C700047	2	3/4"	DADO	SCREW	VIS	SCHRAUBE	TORNILLO
48	C700048	2	3/4" F - 1/2" M	RIDUZIONE	SCREW	VIS	SCHRAUBE	TORNILLO
49	C700049	4		VITE	SCREW	VIS	SCHRAUBE	TORNILLO
50	C700050	3	TTDL	VITE	SEAL	JOINT	DICHTUNG	GUARNICÓN
51	C700051	1		GUARNIZIONE	JOINT	JOINT	FUGE	JUNTA
52	C700052	1		BASE CALDAIA				
53	C700053	1		GIUNTO POMPA				
53	C700054	1						

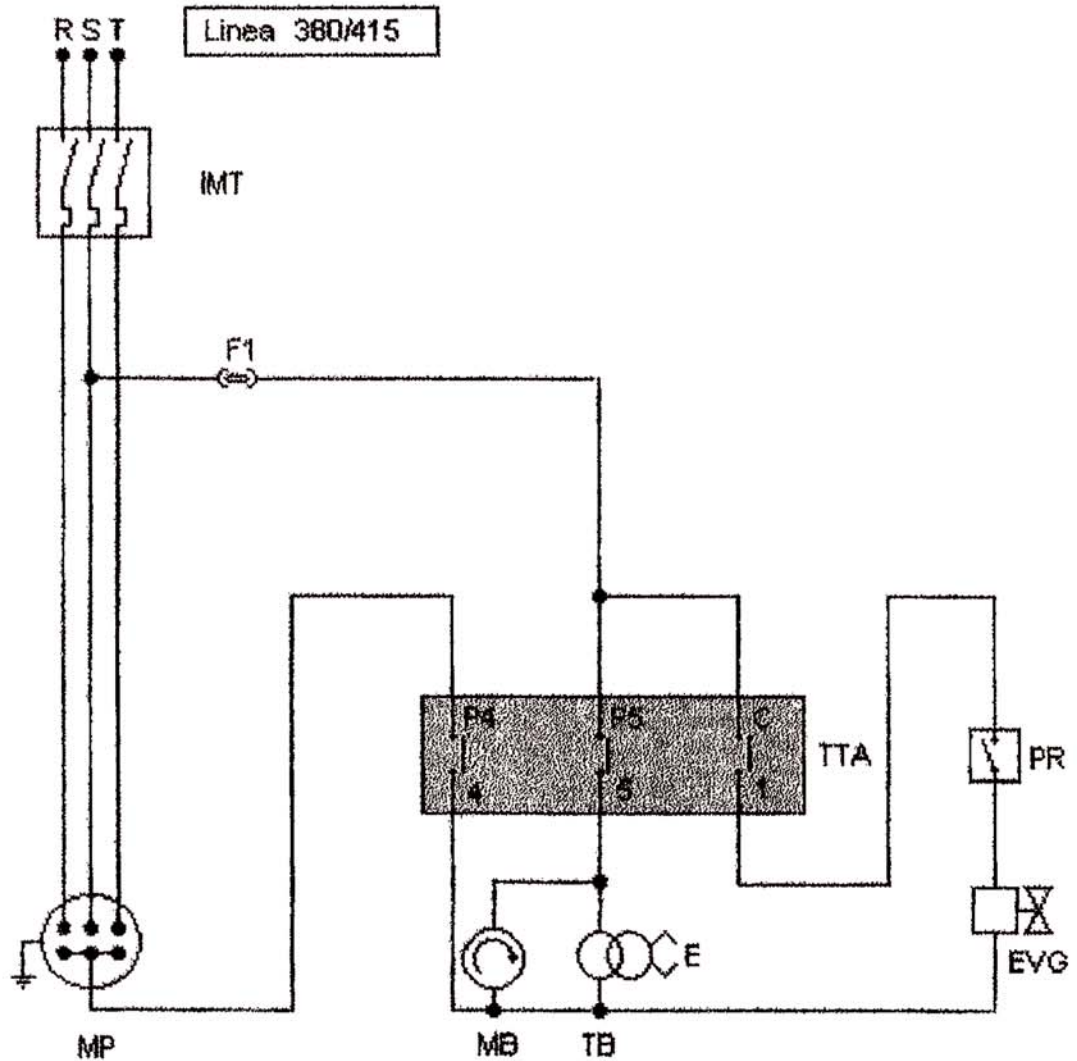




Pos	Codice	Q	Note	Descrizione	Description	Description	Beschreibung	Descripción
1	Q200001	1		CASSETTA ELETTRICA	CONTROL PANEL	TABLEAU COMMANDE	SCHALTTAFEL	TABLERO COMANDO
2	Q200002	2	PG13,5	PRESSACAVO	STRAIN RELIEF	PRESSE ETOUPE	KLEMMKABEL	EMPUJADOR
3	Q200003	1	PG16	PRESSACAVO	STRAIN RELIEF	PRESSE ETOUPE	KLEMMKABEL	EMPUJADOR
4	Q200004	3	PG7	PRESSACAVO	STRAIN RELIEF	PRESSE ETOUPE	KLEMMKABEL	EMPUJADOR
5	Q200005	1	ROSSA 24V	SPIA	LAMP	TÉMOIN	KONTROLLEUCHTE	LUZ TESTIGO
6	Q200026	4	TCI M5X16Z	VITE	SCREW	VIS	SCHRAUBE	TORNILLO
7	Q200007	4	M 4	DADO	NUT	ECROU	MUTTER	TUERCA
8	Q200008	1	220/400/24V 50Hz	TRASFORMATORE				
9	Q200009	1	0/140°	TERMOSTATO	TERMOSTAT	TERMOSTAT	THERMOSTAT	TERMOSTATO
10	Q200010	1	0/90°	TERMOSTATO	TERMOSTAT	TERMOSTAT	THERMOSTAT	TERMOSTATO
10	Q200011	1	KN9 4KW 3.0-5,5HP 24V	CONTATTORE MACH IP M				
10	Q200012	1	KN12 5,5KW 7,5HP 24V	CONTATTORE MACH IP				
10	Q200013	1	KN22 11KW 10HP 24V	CONTATTORE BIG MACH				
11	Q200014	4	Ø4	RONDELLA	WASHER	RONDELLE	UNTERLEGSSCHEIBE	ARANDELA
12	Q200015	1		SUPPORTO	SUPPORT	SUPPORT	HALTERUNG	SOPORTE
13	Q200016	3		CHIODI DI SUPPORTO	PIN	FICHE	STECKER	CLAVIJA
14	Q200017	1		SCHEDA ELETTRONICA				
15	Q200018	1		MANOPOLA	KNOB	HANDLE	GRIFF	MANDO
16	Q200019	1		GUARNIZIONE INTERRUTTORE	SEAL	JOINT	DICHTUNG	JUNTA
17	Q200020	1		PROTEZIONE	PROTECTION	PROTECTION	SCHUTZ	PROTECCIÓN
18	Q200021	1		FRONTALLE ELETTRICO	CONTROL PANEL	TABLEAU DE COMMANDE	SCHALTTAFEL	TABLERO COMANDO
19	Q200022	1	VERDE 24V	SPIA	LAMP	TÉMOIN	KONTROLLEUCHTE	LUZ TESTIGO
20	Q200023	1		CORNICE	FRAME	CHASSIS	RAHMEN	JUDO
21	Q200024	1	VERDE 24V	SPIA	LAMP	TÉMOIN	KONTROLLEUCHTE	LUZ TESTIGO
22	Q200025	1	MAGNETOTER 16-25A	SALVAMOTORE	THERMAL SWITCH	DISJONCTEUR	MOTORSCHALTER	GUARDAMOTOR
22	Q200026	1	MAGNETOTER 10-16A	SALVAMOTORE	THERMAL SWITCH	DISJONCTEUR	MOTORSCHALTER	GUARDAMOTOR
23	Q200027	2		VITE	SCREW	VIS	SCHRAUBE	TORNILLO
24	Q200028	4		VITE FISSAGGIO MOSTRINA	SCREW	VIS	SCHRAUBE	TORNILLO
25	Q200029	1		STAFFA INTERRUTTORE	YOKE	ETRIER	SPANNEISEN	ESTRIBO
26	Q200030	1		OMEGA				

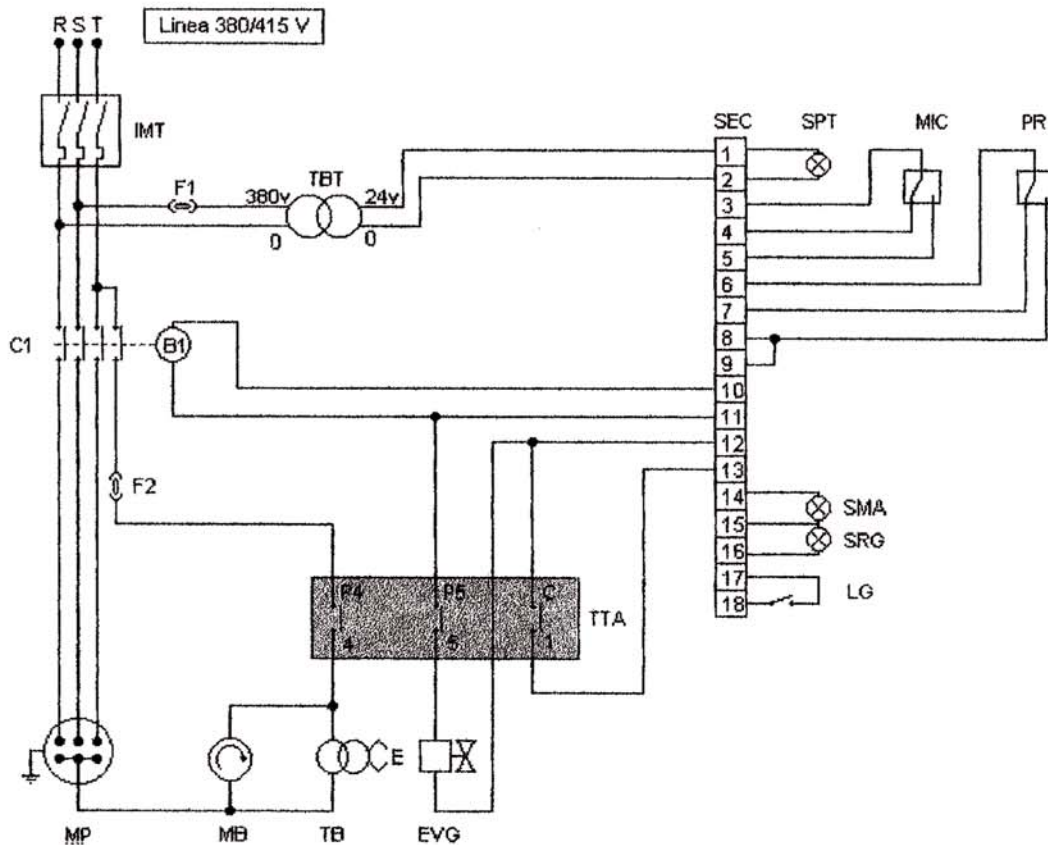


## ESQUEMA ELECTRICO TRIFASICO



- RST = línea 380/415V
- IMT = interruptor magnetotermico
- F1 = fusible (F 2A)
- MP = motor bomba de agua
- MB = motor quemador
- TB = transformador quemador
- PR = pressostato
- TTA = termostato
- E = bujas
- EVG = electrovalvula

**ESQUEMA ELECTRICO TRIFASICO PARO TOTAL**



- RST = linea 380/415V
- SPT = bombillo
- SEC = placa electronica
- IMT = interruptor magnetotermico
- F1 = fusible (F 2A)
- F2 = fusible caldera (F 4A)
- MP = motor bomba de agua
- MB = motor quemador
- TB = transformador quemador
- PR = pressostato
- TTA = termostato
- E = bujas
- EVG = electrovalvula
- MIC = microswitch
- TBT = transformador baja tension
- C = contactor motor bomba
- B1 = bobina contactor motor bomba
- LG = nivel diesel
- SRG = bombillo falta de diesel
- SMA = bombillo falta agua