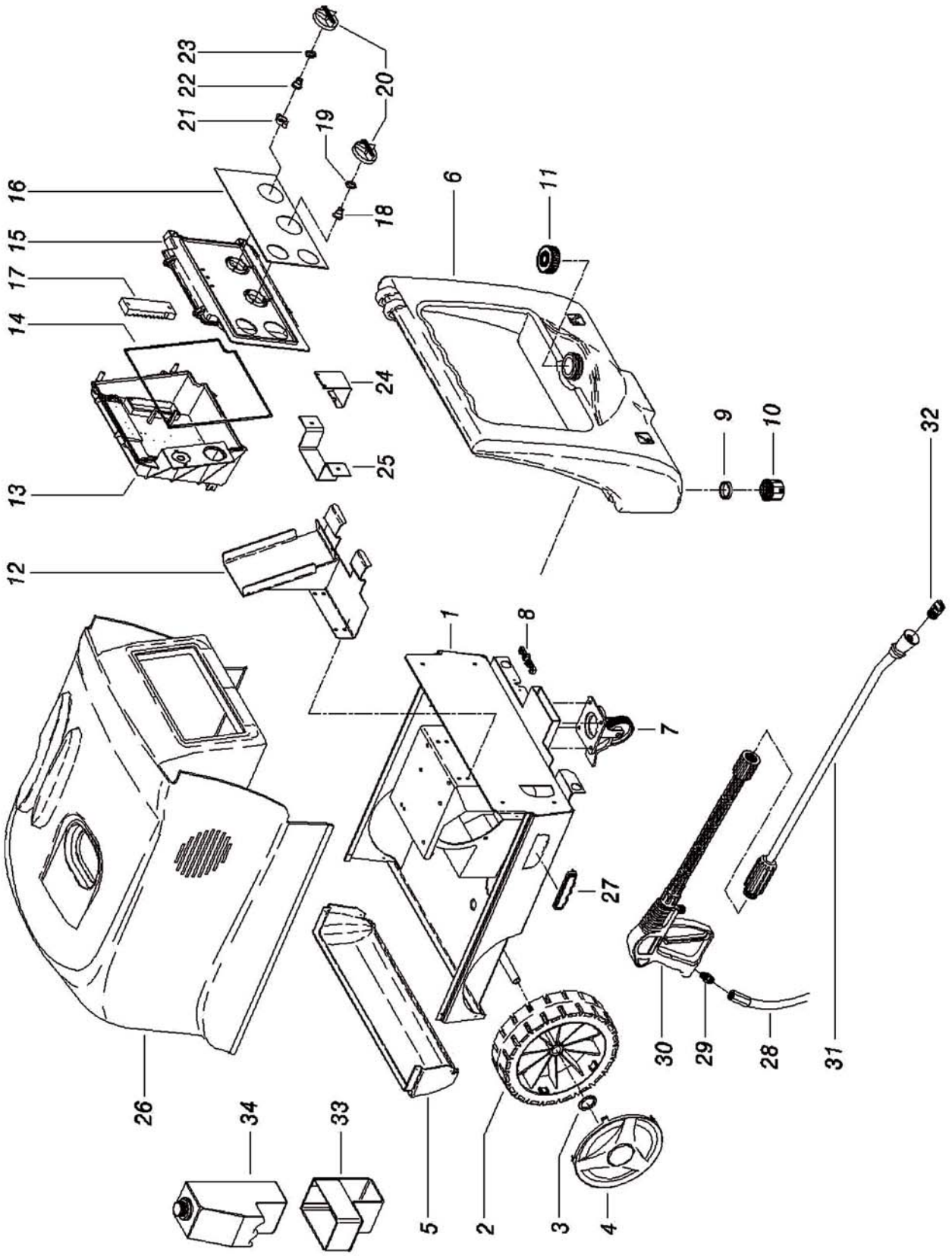
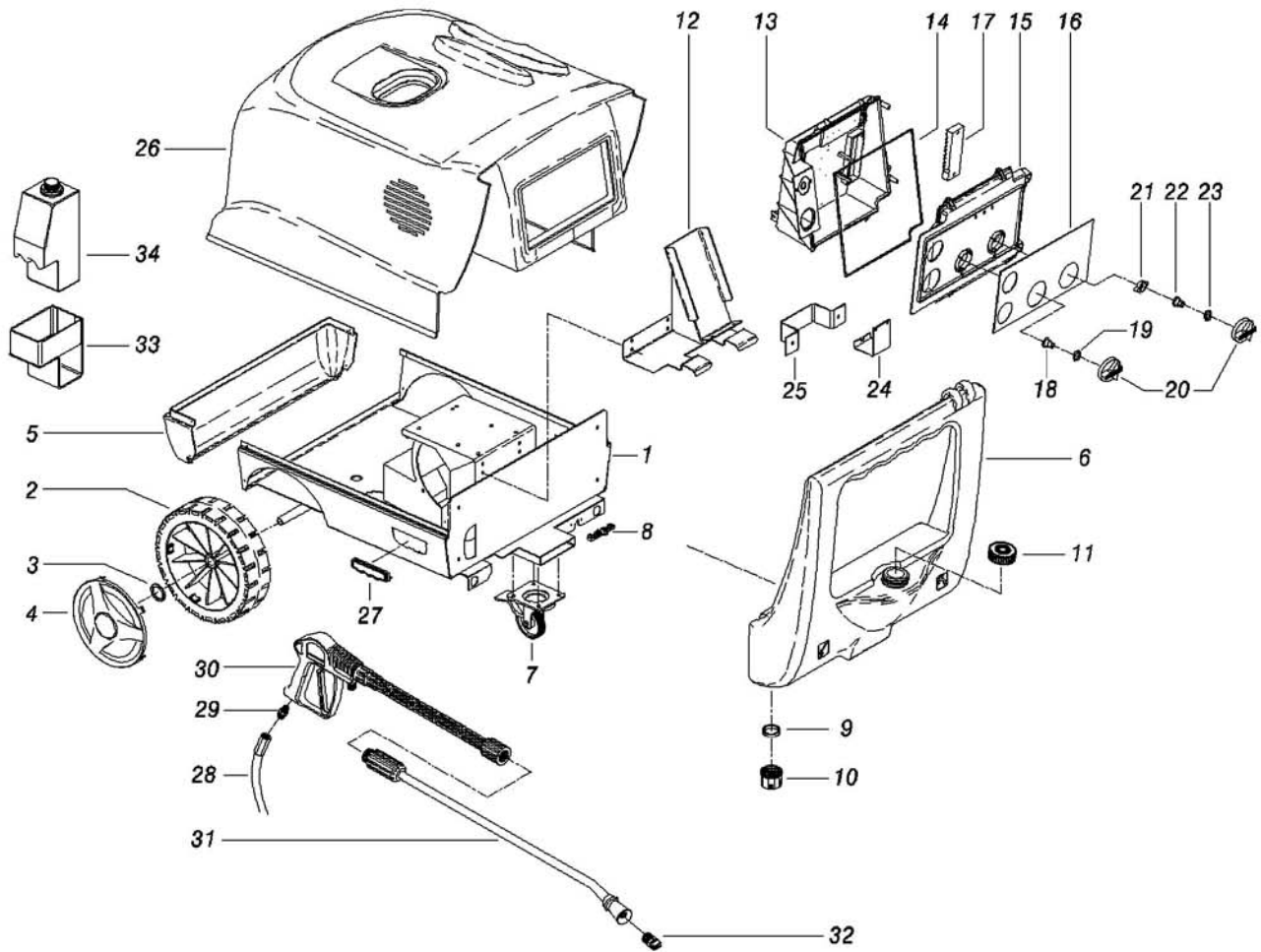




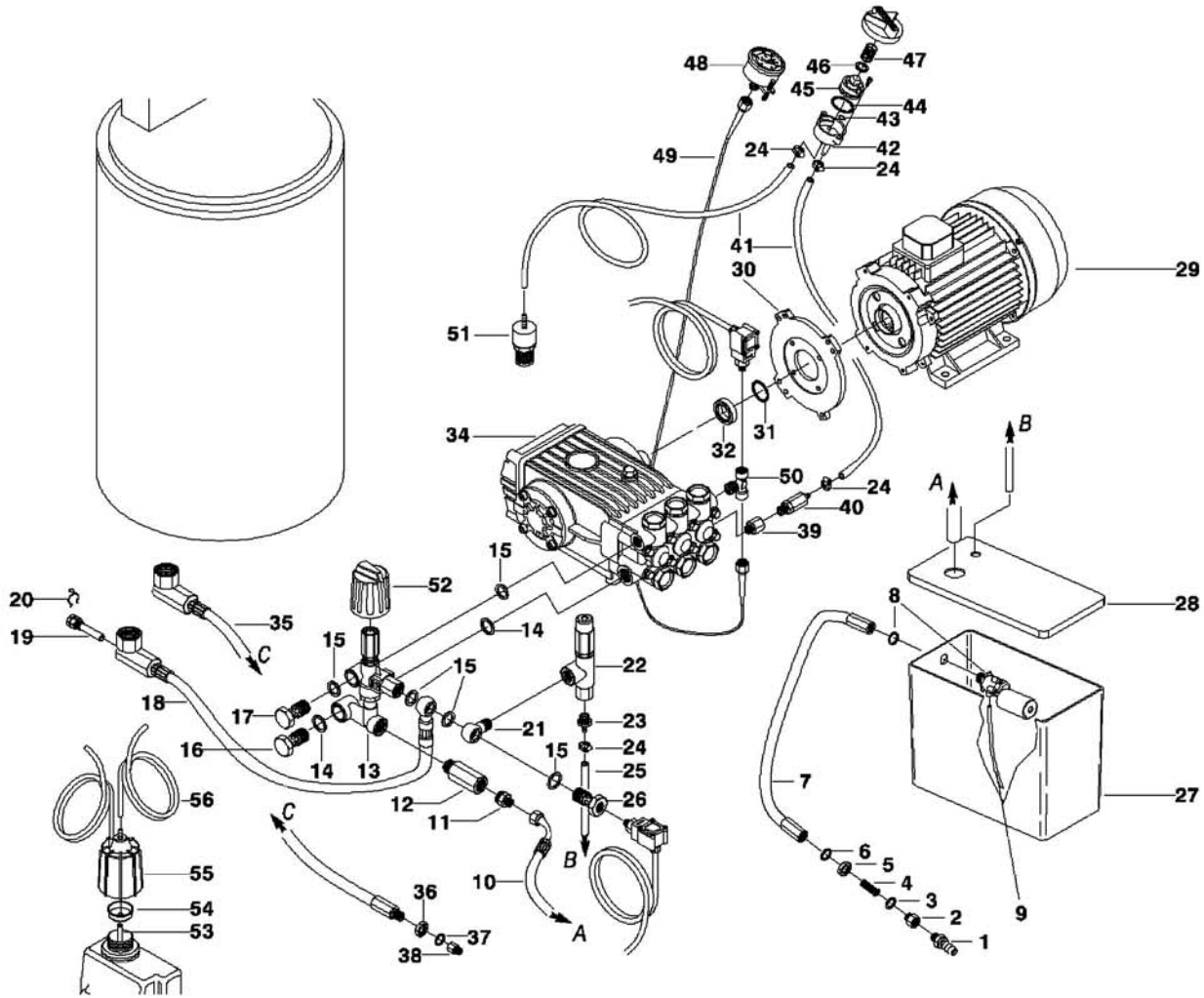
Por favor, al realizar un pedido de recambios, indique la referencia de la pieza,  
la máquina a la que pertenece, el número de página del despiece y la posición.  
Muchas gracias.



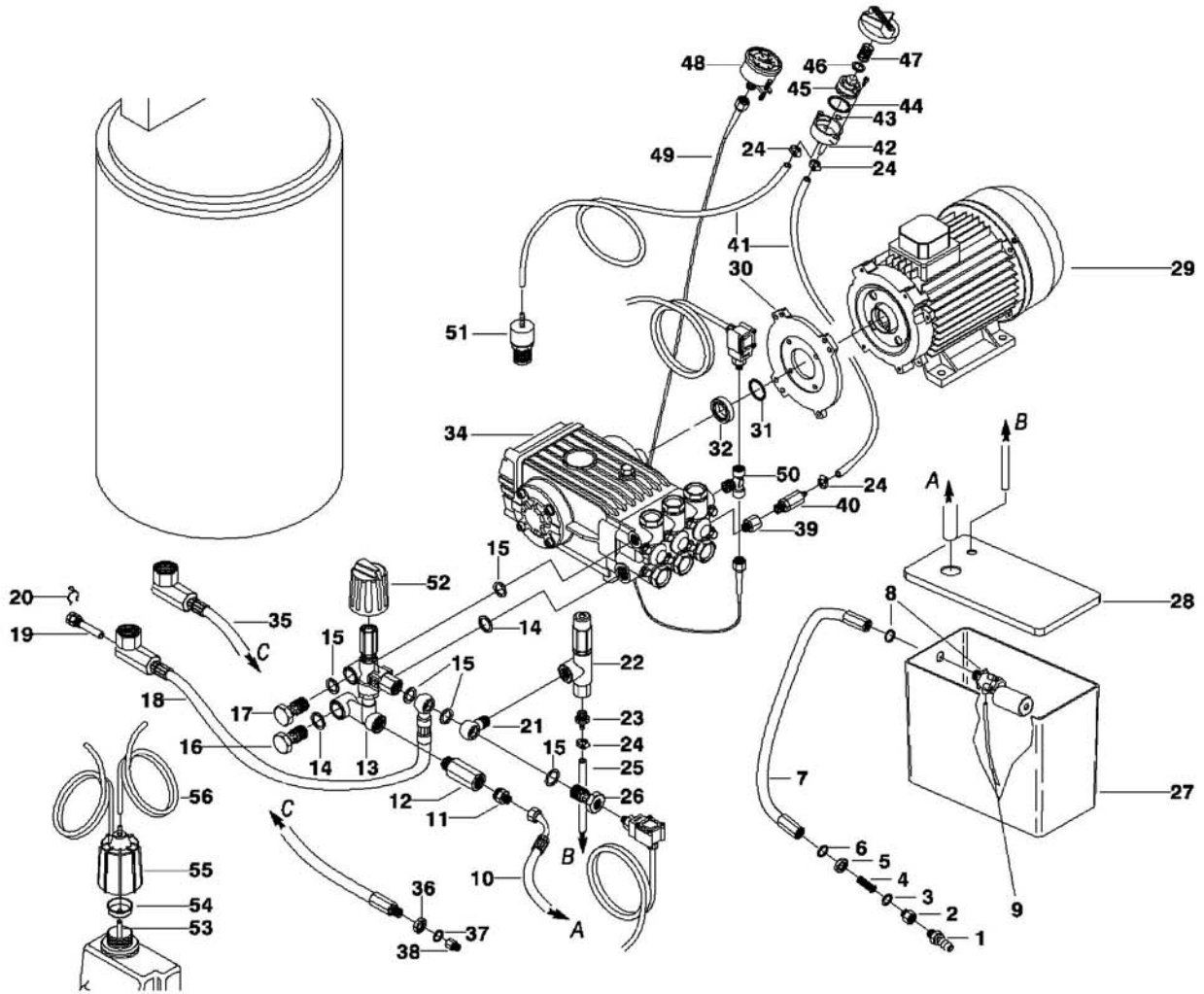


Ref. K	Part N.	Customer Part N.	Description	Qty	Validity:		Price
					From	To	
0001	LAFN49260		CARRELLO S.INDY/2	1,00			--
0002	RTRT60891		RUOTA FISSA D.250X50 D.20 SPI 2	2,00			--
0003	VTRS28558		ROSETTA D.20	2,00			--
0004	MPVR49273		COPRIRUOTA D. 250 RT/SPI.2 YL.	2,00			--
0005	MPVR49199		PANNELLO S.INDY/2 PS	1,00			--
0006	MPVR48086		SERBATOIO GASO.S.INDY/2 PEHD	1,00			--
0007	RTRT47975		RUOTA PIVOTTAN.D.100 P MZ.PLS.	1,00			--
0008	MEVR33994		SERRACAVO 4228 B D. 6- 18	1,00			--
0009	GUGO11489		GUARNIZIONE D.22X1,5	1,00			--
0010	PVVR11806		TAPPO SCARICO FLL	1,00			--
0011	MPVR40573		TAPPO TANICA MHDS-SK	1,00			--
0012	LAFN49264		SUPPORTO S.INDY/2	1,00			--
0013	MPVR33248		CASSETT.COMANDIMISTRAL PP	1,00			--
0014	GUGO11309		TRAFILATO MOUSSE D. 3	1,20			--
0015	MPVR33249		COPERCHIO CASS.MISTRAL	1,00			--
0016	ETET34267		ETICHETTA MST B.P. PVC R	1,00			--
0017	MPVR33250		COP. FERMACAVI MISTRAL	1,00			--
0018	MPVR10083		CODOLO OKA L=22	1,00			--
0019	GUGO23079		ANELLO V-SEAL VA0014 13.5- 15.5	1,00			--
0020	MPVR45228		MANOPOLA NERA KSM	3,00			--
0021	MPVR41903		SPESSORE TERM.IM.PA66	1,00			--
0022	MPVR23484		CODOLO THERM.KSM TUV	1,00			--
0023	GUGO01035		O-RING D. 13.95 X 2.62 NBR 70SH	1,00			--
0024	LAFN34423		STAFFA SUPPORTOMST.S-P	1,00			--
0025	LAFN25019		STAFFA OKN KSM	1,00			--
0026	MPVR49198		COPERTURA GIAL.S.INDY/2	1,00			--
0027	MPVR10058		MANIGLIA FLL	2,00			--
0028	TBAP53052		TUBO A.P. 5/16 400B. 8MT 3/8 F-F	1,00			--
0029	RCDS00610		NIPPLO 3/8 - 3/8 SV	1,00	03/2002		--
0030	IPPR52938		IMPUGNATURA AL5 +PR. M22	1,00			--
0031	LCPR12976		PROLUNGA P 70	1,00			--
0032	UGLN03327		UGELLO 1/4 25045	1,00			--

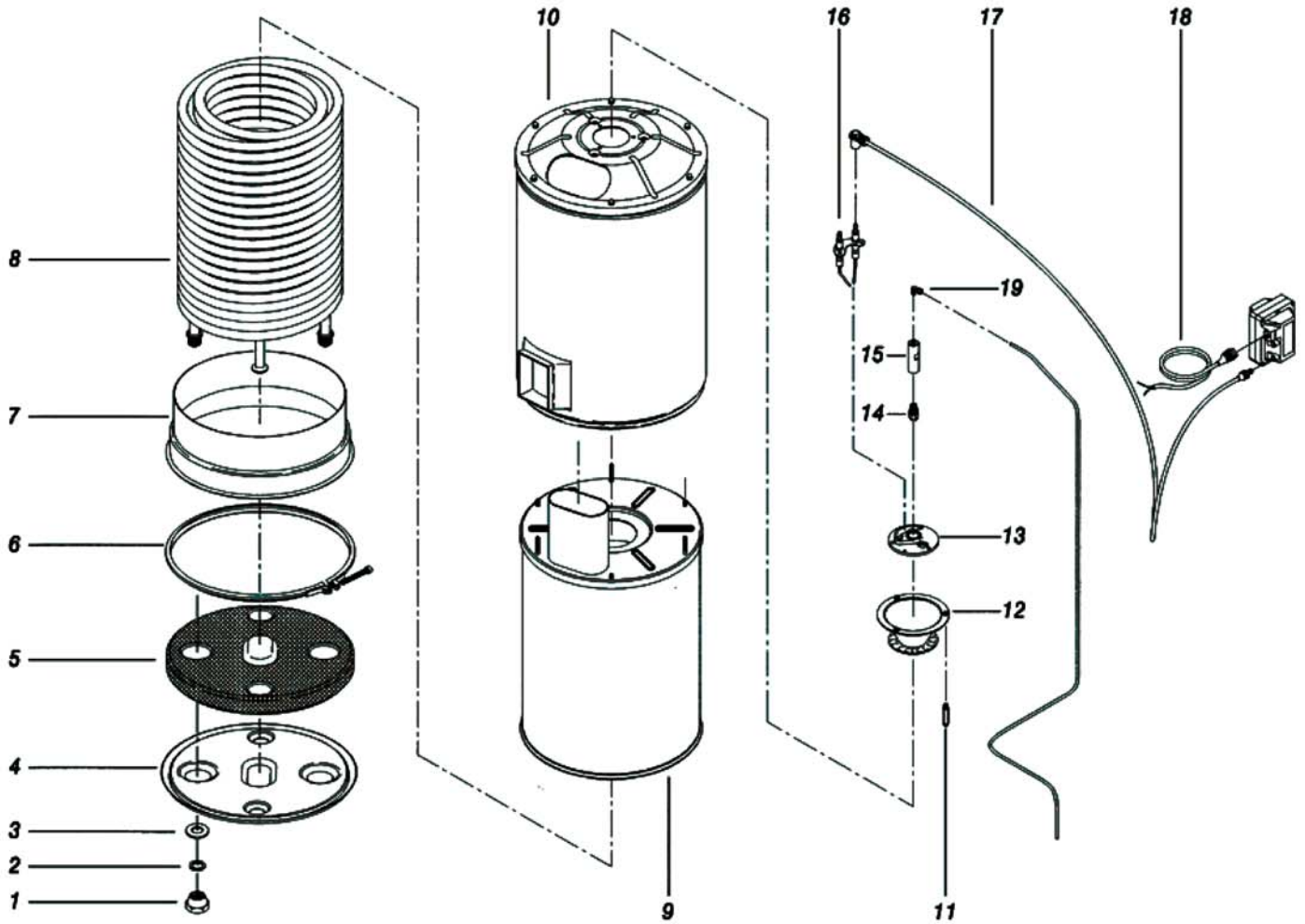




Ref. K	Part N.	Customer Part N.	Description	Qty	Validity:		Price
					From	To	
0001	RCVR29600		PRESA PTC 3/4 F	1,00			--
0002	RCVR37806		RIDUZIONE PTC 3/4-1/2 M/F	1,00			--
0003	GUGO37736		GUARNIZIONE D. 10- 19 X 5 70SH	1,00			--
0004	FTAC30214		FILTRO D.15X67	1,00			--
0005	RCDS49875		GHIERA 1/2"X 6 CH.27 OT.	1,00			--
0006	VTRS00549		ROSETTA D.21,5X27X1,5 (1/2) RM	1,00			--
0007	TBBP49338		TUBO B.P. L= 560 3/4F 90°- 1/2M	1,00			--
0008	RCGR60703		GALLEGGIANTE MTM 3/4 PP. S/F.	1,00			--
0009	TBBP07631		TUBO B.P. D.10-14	0,10			--
0010	TBBP46848		TUBO B.P. L=400 3/4F 90° -15X26	1,00			--
0011	RCDS87610		NIPPLO 3/4 - 1/2 CB D.13.0	1,00			--
0013	VVAZ46720		VALVOLA MV 625 W151 AC S/IN. REG.	1,00			--
0014	VTRS12491		RONDELLA 1/2	2,00			--
0015	VTRS12492		RONDELLA 3/8	3,00			--
0016	RCDS12486		VITE CAVA G 1/2 L=48.5	1,00			--
0017	RCDS12495		VITE CAVA G 3/8 L=48.5	1,00			--
0018	TBAP49336		TUBO RACCORDATO3/ 8 R1 L=800 3/8O-1/2PMG	1,00			--
0019	RCDS00593		POZZETTO IM 0-120 L=50	1,00			--
0020	MLML02623		MOLLA IMT	1,00			--
0021	RCDS15150		RACCORDO O. 3/8 - G3/8M L=28.5	1,00			--
0022	VVSC21627		VALVOLA VS 220 G3/8	1,00			--
0023	RCDS03514		PORTAGOMMA 3/8 M D. 5- 7	1,00			--
0024	FSVR00427		FASCETTA D. 12 CLIC 66-110	2,00			--
0025	TBBP04917		TUBO B.P. D. 6- 9	0,28			--
0026	RCDS88103		VITE CAVA G 3/8 - 1/8F L=53	1,00			--
0027	MPVR61359		VASCHETTA ACQUABK	1,00			--
0028	MPVR48151		COP. VASCHETTA BK FOR.	1,00	10/2003		--
0029	MOTR06345		MOTORE TR. AC HP 7.5 2/460-5/60 C.ED	1,00			--
0030	MFVR21735		CONTROFLANGIA MEC 112 2.V	1,00			--
0031	GUGO42285		O-RING D. 35 X 2.5 VIT.70SH	1,00			--
0032	RCDS34756		BOCCOLA IP W15 OT	1,00			--
0034	PPAP42031		POMPA WS151 DX LT 15 -150B. USA	1,00			--
0035	TBAP49337		TUBO RACCORDATO3/ 8 R1 L=525 M26+3/8F-P.	1,00			--
0036	RCDS21120		GHIERA M 26 X 1,5	1,00			--
0037	VTRS00548		ROSETTA D.17,5X22X1,5 (3/8)RM	1,00			--
0038	RCDS00610		NIPPLO 3/8 - 3/8 SV	1,00			--
0039	RCVR02606		RIDUZIONE 1/2-1/4 M/F	1,00			--
0040	VVSF46712		VALVOLA 1/4M -PG. D.3X7.5	1,00			--
0041	TBBP00051		TUBO RETINATO D. 6-12	1,30			--

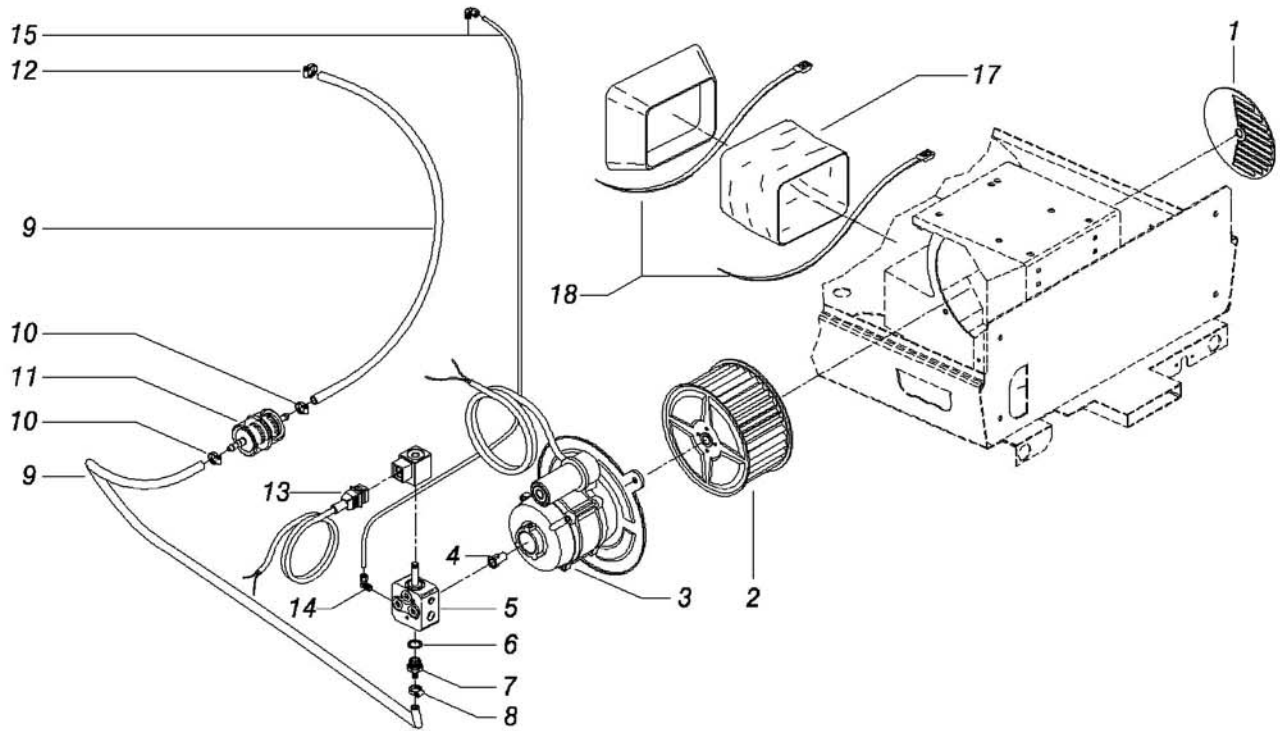


Ref. K	Part N.	Customer Part N.	Description	Qty	Validity:		Price
					From	To	
0041	TBBP00051		TUBO RETINATO D. 6-12	0,80			--
0042	RCGR08069		CORPO RUBINETTODET. PRT	1,00			--
0043	GUGO12183		O-RING D. 23.4 X 3.53 VIT 70SH	1,00			--
0044	GUGO08071		O-RING D. 4.48 X 1.78 NBR 70SH	1,00			--
0045	RCGR08070		REGOLATORE PRT	1,00			--
0046	VTRS00542		ROSETTA D.14X20	1,00			--
0047	MLML08068		MOLLA D.1,5 L.23	1,00			--
0048	MNMN49621		MANOMETRO 0-250 D.50 INOX	1,00			--
0049	TBAP06875		TUBO POLIAMMIDEL=840 1/4-1/4 F-F	1,00			--
0050	RCDS40589		RACCORDO T 3/8M - 1/4 M/F OT.	1,00			--
0051	FTDT04648		FILTRO PG. D.6 PLS	1,00			--
0052	MPVR09436		MANOPOLA NERA ST 260	1,00			--

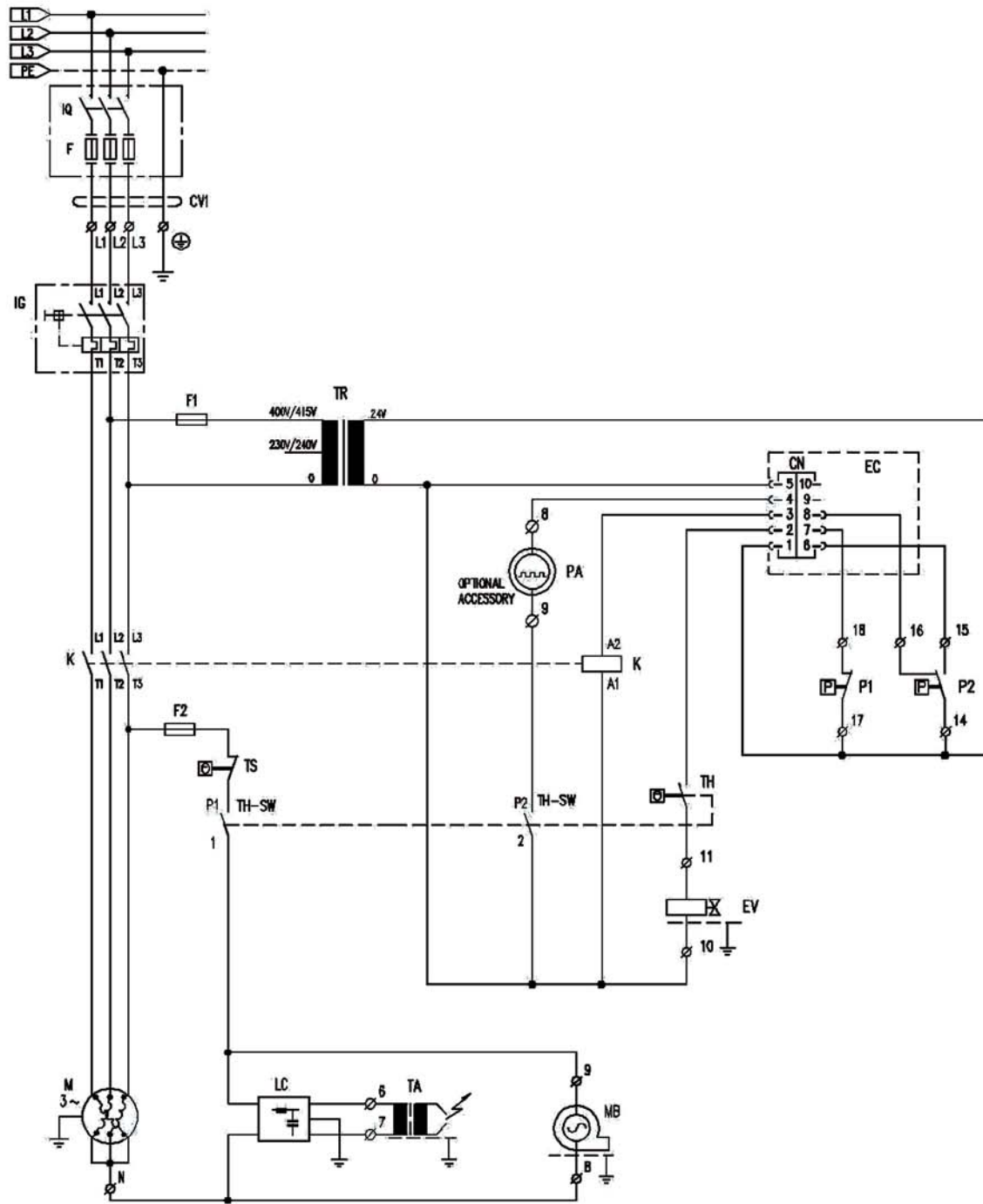


Ref. K	Part N.	Customer Part N.	Description	Qty	Validity:		Price
					From	To	
0001	RCDS21120		GHIERA M 26 X 1,5	2,00			--
0002	GUGO21222		O-RING D. 15.54 X 2.62 VIT 80SH	2,00			--
0003	GUVR21021		ANELLO ANTIES. D. 21 X17 TEF.	2,00			--
0004	LAFN44149		FONDO CALDAIA P176	1,00			--
0005	ITTE44175		FONDELLO P176 C.TE	1,00			--
0006	LAFN44150		ANELLO D.345 P176 ZN	1,00			--
0007	LAFN44151		FASCIA P176 INX	1,00			--
0008	LAGR48101		SERPENTINA DOP.M26X1.5 P176 30MT. SP.2.6	1,00			--
0009	LAFN46225		CILINDRO INT. P176 CP.INX	1,00			--
0010	LAFN46223		CILINDRO EST. P176-FBX CP.	1,00			--
0011	LAFN44159		PERNO CH.10 X 75.7 M5M/M5M P176	3,00			--
0012	LAFN44244		DEFLETTORE P176 30M INX	1,00			--
0013	MFVR44251		PORTAELETTRODI P176	1,00			--
0014	UGBR22576		UGELLO BRUC. 1.35 60 S	1,00			--
0015	RCDS07642		PORTAUGELLO FUT	1,00			--
0016	MECA12525		ELETTRODO FUT	1,00			--
0017	MECV35336		CAVO A.T. 9,8-23KOHM/M L= 750P	2,00			--
0018	MECB34463		CAVO BT L=800 SP.	1,00			--
0019	RCVR08954		GOMITO 1/8"-4 B5	1,00			--



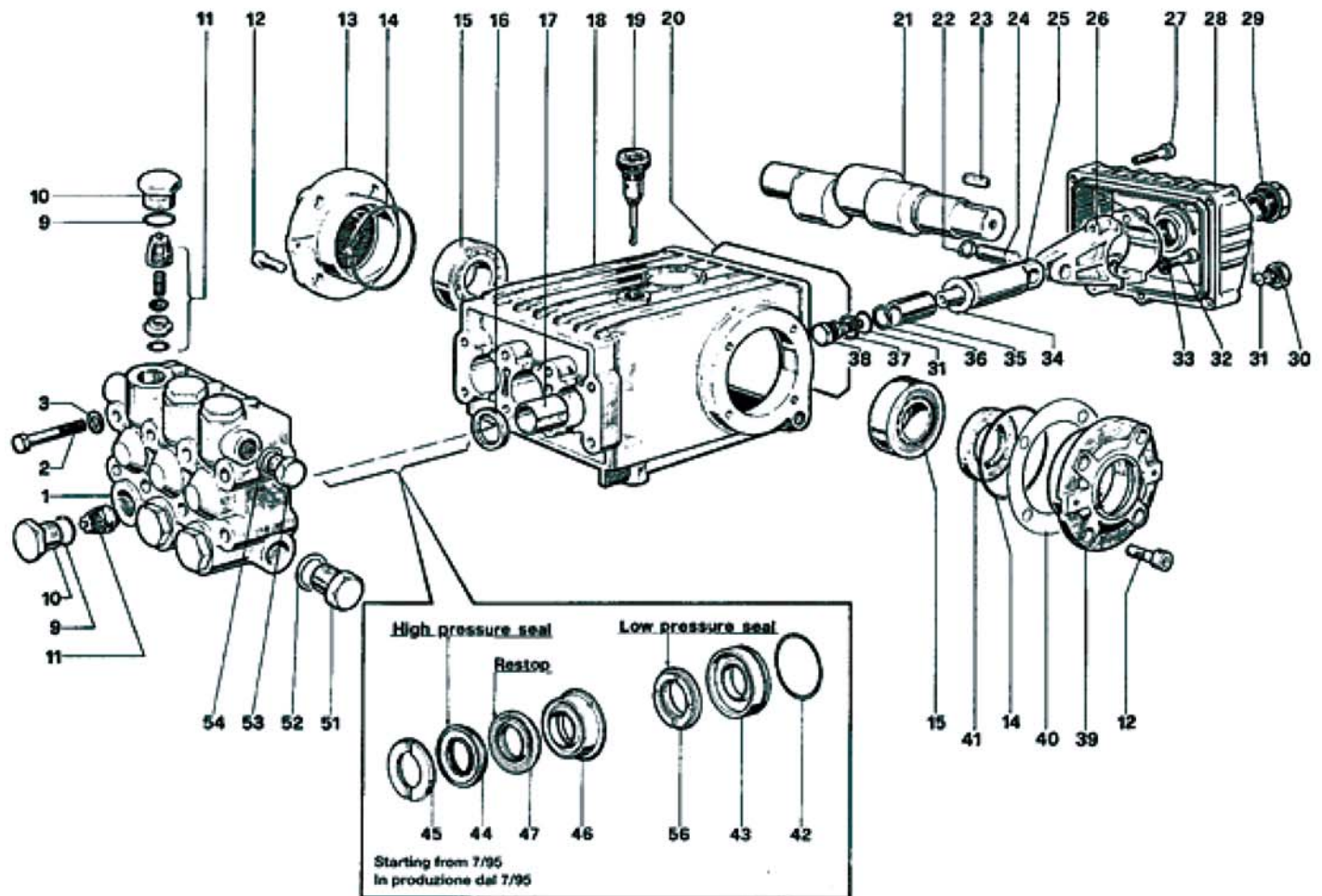


Ref. K	Part N.	Customer Part N.	Description	Qty	Validity:		Price
					From	To	
0001	LAFN40725		PROTEZIONE INDY-TK	1,00			--
0002	VEVR40680		VENTOLA RS.D.145-77 D.12.7 RF	1,00			--
0003	MOMB87999		MOTORE BRUCIAT.230-50 IP44 110W AO/F+CON	1,00			--
0004	KTRI36516		KIT P 18- 9	1,00			--
0005	PPGS88084		POMPA GASOLIO DLT ALLUM. A1L1	1,00			--
0006	VTRS04931		ROSETTA D.13X19X1.5	1,00			--
0007	RCDS00626		PORTAGOMMA 1/4 M D. 5- 7	1,00			--
0008	FSVR00427		FASCETTA D. 12 CLIC 66-110	1,00			--
0009	TBCO06945		TUBO B.P. D. 6-12 10BAR	0,20			--
0009	TBCO06945		TUBO B.P. D. 6-12 10BAR	0,80			--
0010	FSVR11197		FASCETTA D.I. 11 13315	2,00			--
0011	FTCO34840		FILTRO GASOLIO FB 1	1,00			--
0012	FSVR15255		FASCETTA D. 8-12	1,00			--
0013	MECB18118		CAVO DLT L=1.600	1,00			--
0014	RCVR14014		RACCORDO BICONODTT 1/8" M B1 D. 2/ 4 NIK	1,00			--
0015	TBCO49339		TUBO GASOLIO INDY/2 D. 4	1,00			--
0017	GUVR88156		MANICOTTO S.INDY/2 D.150-155	1,00			--
0018	FSVR01873		FASCETTA LG 31920 9 X500	2,00			--

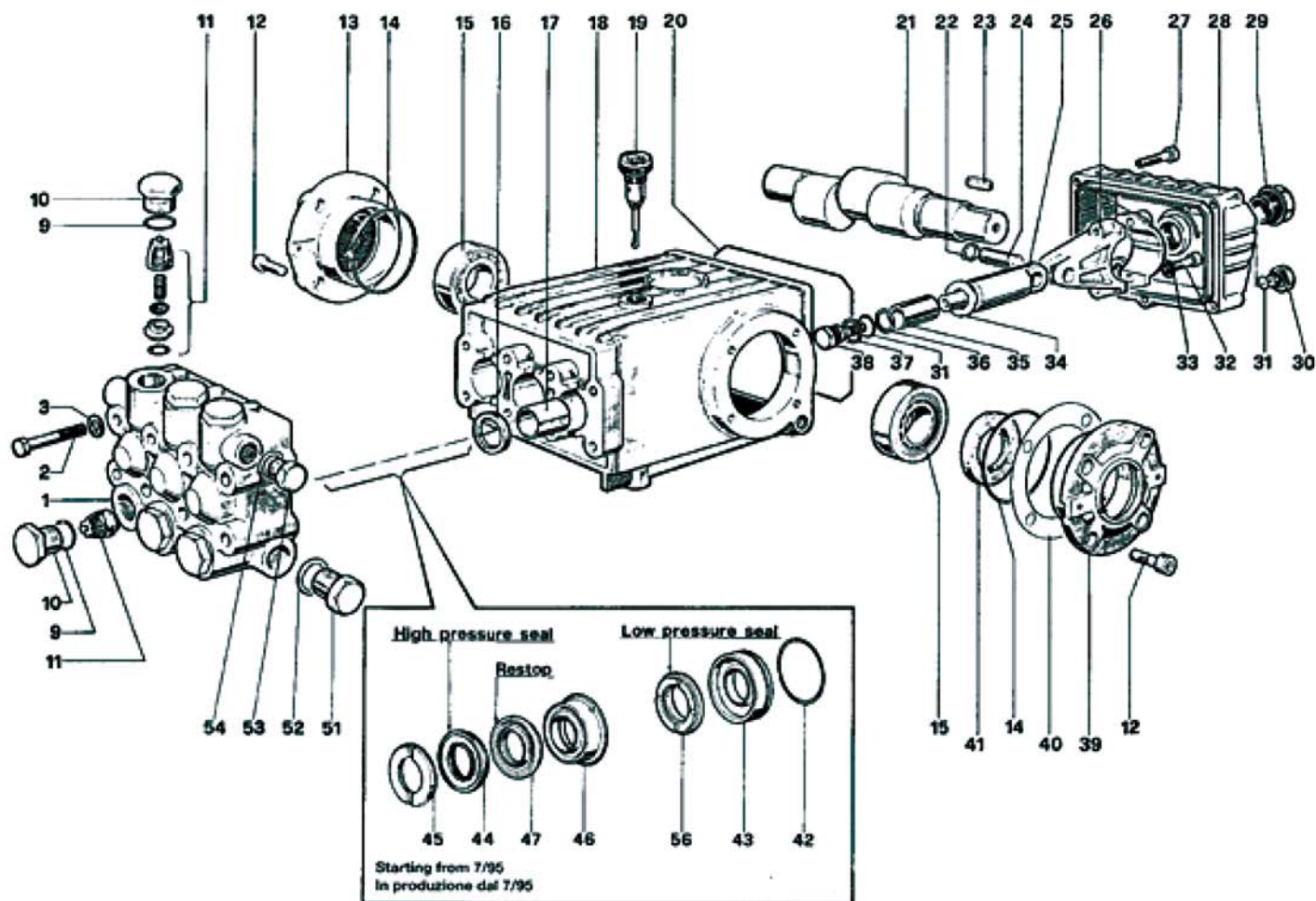


Ref. K	Part N.	Customer Part N.	Description	Qty	Validity:		Price
					From	To	
K	METT43990		TELERUTTORE SIE 3RT 1017 1AB01 5/60HZ	1,00			--
EC	MECE48580		SCHEDA ELETTR. P190 T-ST/MP V.PLUS	1,00			--
EV	MEBE48504		BOBINA ELET. DLT 24-50 NF84	1,00			--
F1	MEVR09010		FUSIBILE 5X20 0,5A	1,00			--
F2	MEVR00237		FUSIBILE 5X20 3,15A	1,00			--
IG	MECI08294		INTERRUTTORE O.K.N. 10-16 A	1,00			--
LC	MECE34831		FILTRO LC F.AH.DA.3100ZF 6.5A	1,00			--
P1	MEPF39741		PRESSOSTATO MTM 1/8M NA/NC 25B. MICRO	1,00			--
P2	MEPF39902		PRESSOSTATO MTM 1/4M NA/NC 25B. MICRO	1,00			--
TA	METR34464		TRASFORMATORE 230V-50HZ 2X4000V SP4 CM	1,00			--
TH	METK33752		TERMOSTATO 30-150°C TR/711-N+ BS75	1,00			--
TR	METR11977		TRASFORMATORE 35VA 230-400/24 50/60HZ	1,00			--
TS	METK34839		TERMOSTATO 50°C TR/711-N C.1.5	1,00			--
CV1	MECB17414		CAVO H07 RNF 4X2.5 L=6.500	1,00			--



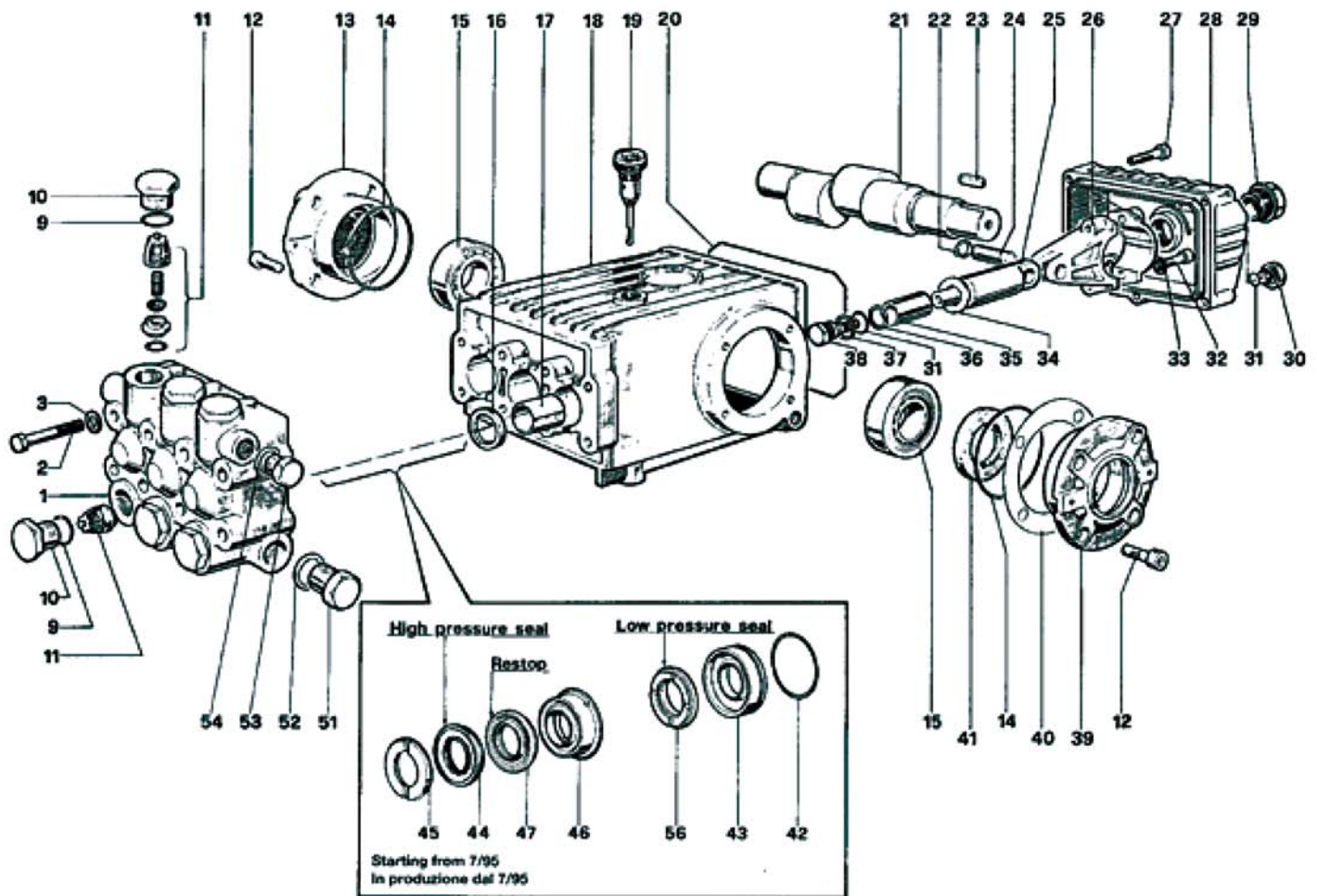


Ref. K	Part N.	Customer Part N.	Description	Qty	Validity:		Price
					From	To	
0001	MFVR01097		TESTATA W 151	1,00			--
0002	VTVT01111		VITE TE M 8X70 UNI 5737	8,00			--
0003	VTRS01072		ROSETTA D. 8 TC	8,00			--
0009	S GUGO01033		O-RING D. 20.24 X 2.62 NBR 90SH	6,00			--
0010	S RCDS01087		TAPPO M24X2X16 OTT	6,00			--
0011	S VVAM01104		GRUPPO VALVOLA W 70-151	6,00			--
0012	VTVT01118		VITE TCEI 8X16	8,00			--
0013	MFVR03576		COPERCH. CARTERW151	1,00			--
0014	GUGO01041		O-RING D. 67.95 X 2.62 NBR 70SH	2,00			--
0015	CUVR09205		CUSCIN.A RULLI 32206 A	2,00			--
0016	S GUGO01000		ANELLO RADIALE 22X 32X 5.5 NBR70	3,00			--
0017	PVVR01011		BOCCOLA W 151	3,00			--
0018	MFVR01013		CARTER POMPA W 151	1,00			--
0019	PVVR01092		TAPPO CAR.OLIO W 151	1,00			--
0020	GUGO34590		O-RING D. 133.02 X 2.62 NBR 70SH	1,00			--
0021	ALMO41530		ALBERO TS 1511 USA	1,00			--
0022	VTAE14016		ANELLO ELASTICOD. 12 UNI 7435	6,00			--
0023	VTVR41531		LINGUETTA 8X 7X35 UNI 6604A	1,00			--
0024	PVVR01085		SPINOTTO D.13X35 W151	3,00			--
0025	PVVR01029		GUIDA PISTONE W 151	3,00			--
0026	BLVR01009		BIELLA W 151	3,00			--
0027	VTVT01116		VITE TCEI 6X30 UNI5931	5,00			--
0028	MFVR03582		COPERCH. CARTERW 151 POS	1,00			--
0029	PVVR01083		SPIA OLIO G 3/4 W70-151	1,00			--
0030	RCDS01088		TAPPO 1/4X 9 M WW90	1,00			--
0031	S GUGO01036		O-RING D. 10.82 X 1.78 NBR 70SH	4,00			--
0032	VTVT01120		VITE TCEI 8X35 UNI5931	6,00			--
0033	VTRS14242		ROSETTA D. 8.4X13X0.8 UNI7064 SCH	6,00			--
0034	S VTRS01753		ROSETTA D.14X28 X0,5	3,00			--
0035	PIVR01066		PISTONE D.20X50 W 151	3,00			--
0036	S GUVR00994		ANELLO ANTIES. W151	3,00			--
0037	S VTRS01076		ROSETTA D.14X18,5X0,5	3,00			--
0038	S PVVR01107		VITE PISTONE IP W151	3,00			--
0039	MFVR03583		COPERCH. CARTERW151	1,00			--
0040	PVVR01016		SPESSORE 0,1 W 151	2,00			--
0041	S GUGO01003		ANELLO RADIALE 30X 55X 7 NBR70	1,00			--
0042	S GUGO01042		O-RING D. 34.6 X 1.78 NBR 70SH	3,00			--
0043	S PVVR00977		ANELLO DI FONDOW151	3,00			--
0044	S GUVR00981		ANELLO TENUTA W151	3,00			--



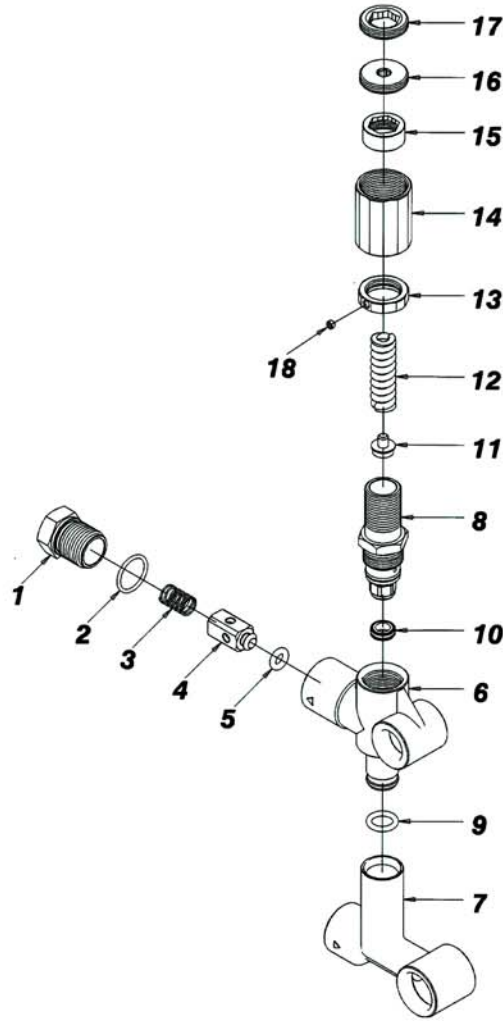
Ref.	K	Part N.	Customer Part N.	Description	Qty	Validity:		Price
						From	To	
0045	S	PVVR00985		ANELLO DI TESTAW151	3,00			--
0046	S	PVVR34589		ANELLO INTERM. W 151 D. 20	3,00			--
0047	S	GUVR34587		ANELLO TENUTA D. 20 RESTOP	3,00			--
0051		RCDS01091		TAPPO 1/2X10 M	1,00			--
0052		VTRS01075		ROSETTA D.21,5X27 ALL	1,00			--
0053		RCDS01090		TAPPO 3/8X13 M WW90	1,00			--
0054		VTRS01074		ROSETTA D.17,05X22,3 X1,5	1,00			--
0056	S	GUVR34585		ANELLO TENUTA W 151 L.P.	3,00			--





Ref. Part N.	Cust. Part N.	Description	Reference	Price
KTRI14900	KIT P	15- 3	0041	--
KTRI14901	KIT P	10	0042 0043	--
KTRI17793	KIT P	6	0031 0034 0036 0037 0038	--
KTRI17795	KIT P	4	0009 0010	--
KTRI17859	KIT P	1	0011	--
KTRI17860	KIT P	2	0016	--
KTRI18574	KIT P	7	0045	--
KTRI18579	KIT P	28	0042 0043 0044 0045 0046 0047 0056	--





Ref. K	Part N.	Customer Part N.	Description	Qty	Validity:		Price
					From	To	
0001	PVVR47977		RACCORDO MV625 G 3/8F	1,00			--
0002	GUGO01058		O-RING D. 17.17 X 1.78 NBR 70SH	1,00			--
0003	MLML47978		MOLLA MV 625	1,00			--
0004	PVVR47979		SPILLO MV 625	1,00			--
0005	GUGO46053		O-RING D. 6 X 3 NBR 90SH	1,00			--
0006	PVVR47980		CORPO VALVOLA MV 625	1,00			--
0007	PVVR47997		RACCORDO MV 625 H.73	1,00			--
0008	PVVR47988		RACCORDO MV 625 REG.	1,00			--
0009	GUGO11225		O-RING D. 10.78 X 2.62 NBR 70SH	1,00			--
0010	PVVR47985		SEDE VALVOLA MV 625 + O-RING	1,00			--
0011	PVVR47986		PIATTELLO MOLLAMV 625	1,00			--
0012	MLML47987		MOLLA D. 3.25X41.1 MV 625	1,00			--
0013	PVVR47984		GHIERA MV 625	1,00			--
0014	PVVR47989		CAPPUCCIO MV 625 REG.	1,00			--
0015	PVVR47990		GHIERA MV 625 REG.	1,00			--
0016	PVVR47991		REGISTRO MV 625 REG.	1,00			--
0017	PVVR47992		FERMO MV 625 REG.	1,00			--
0018	VTVT24918		VITE EI-ST 4X 4 UNI5927	1,00			--