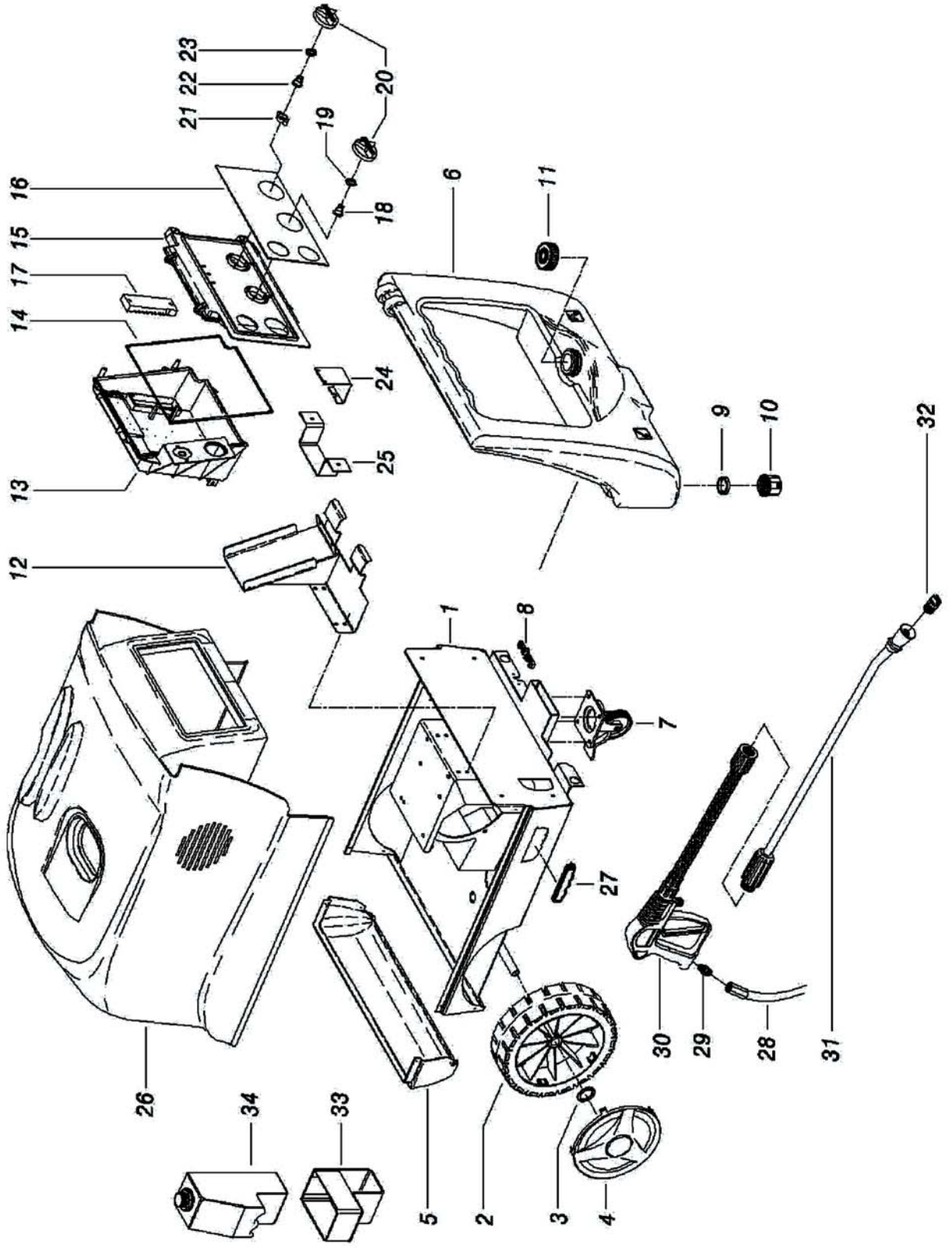
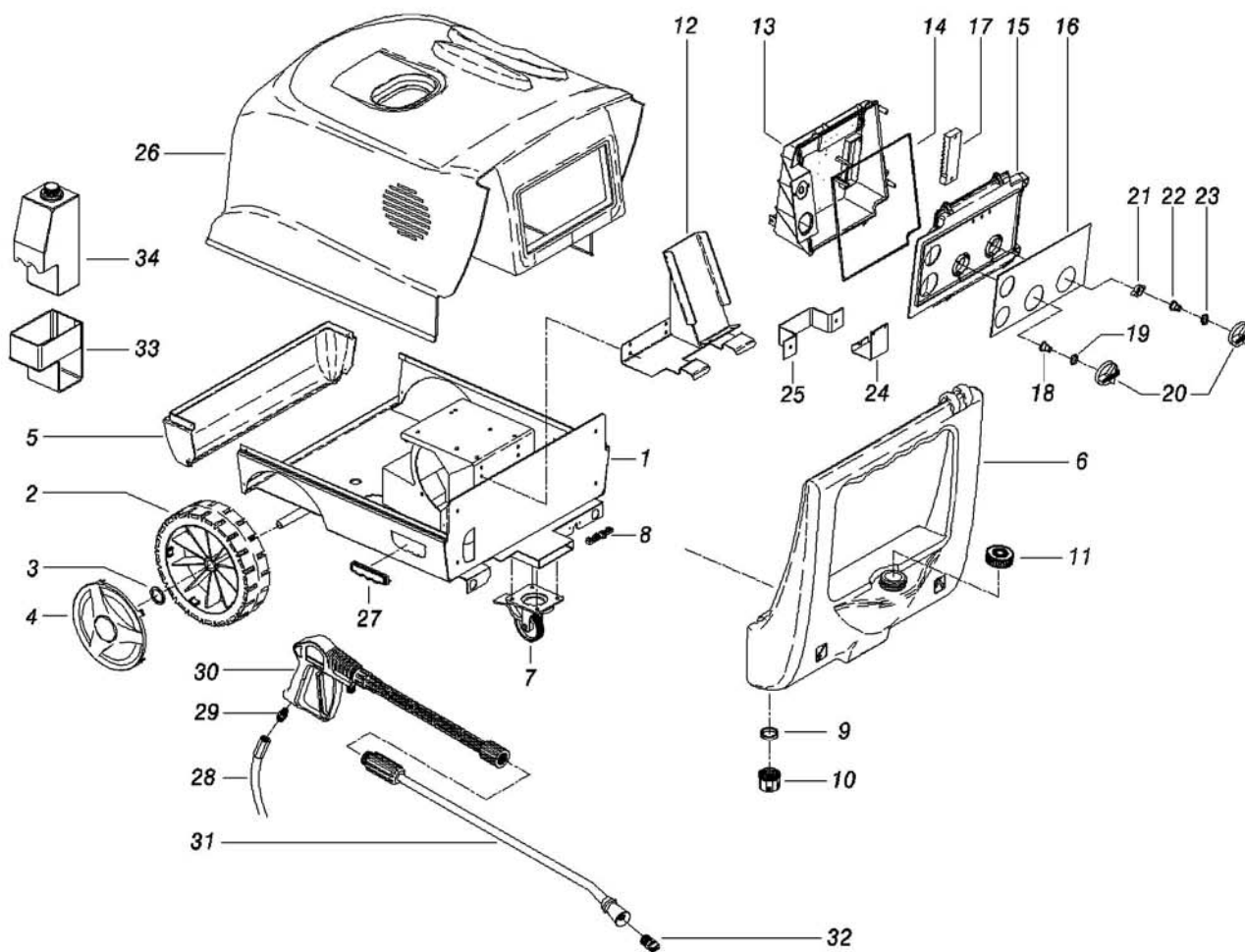


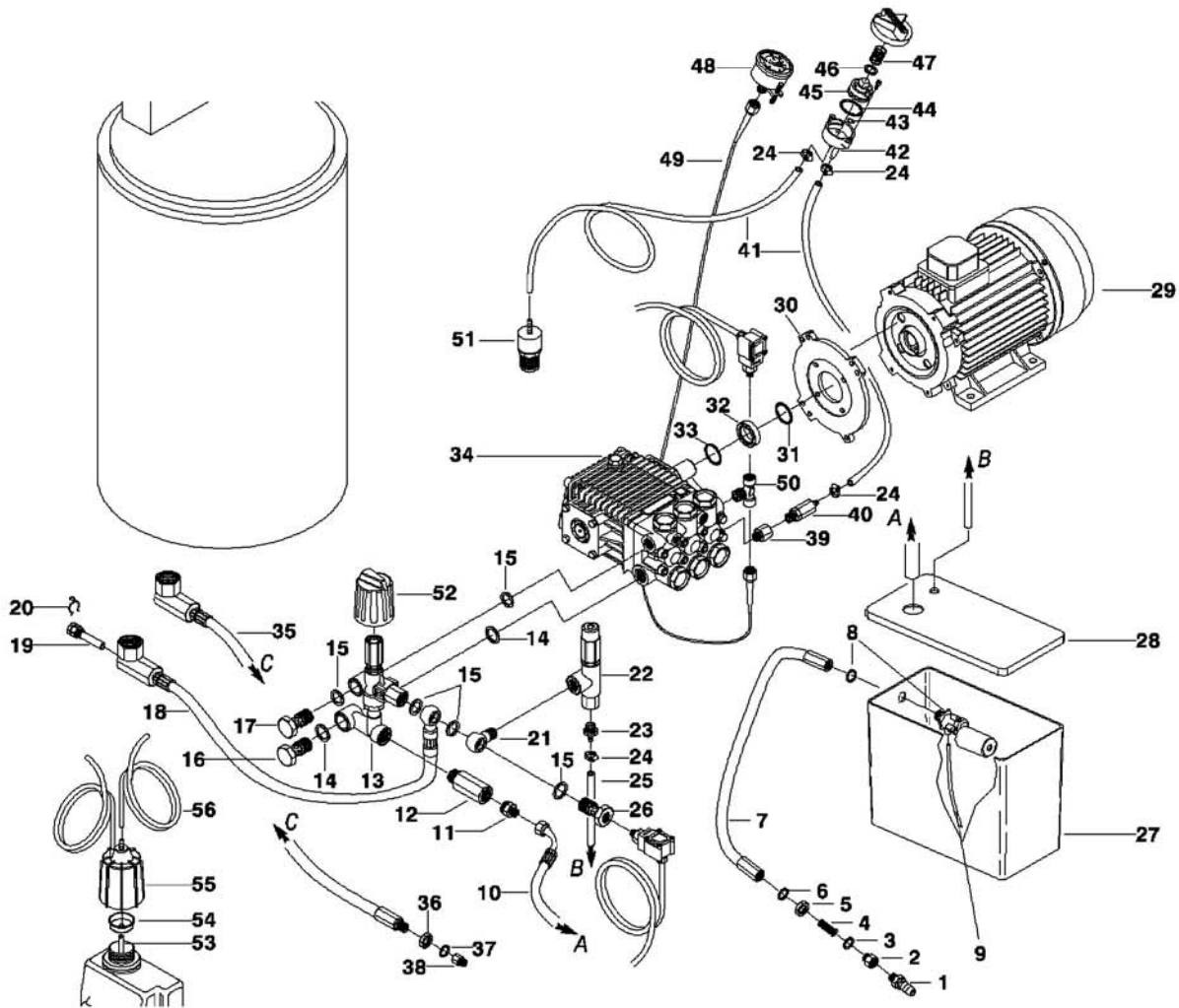


Por favor, al realizar un pedido de recambios, indique la referencia de la pieza,
la máquina a la que pertenece, el número de página del despiece y la posición.
Muchas gracias.

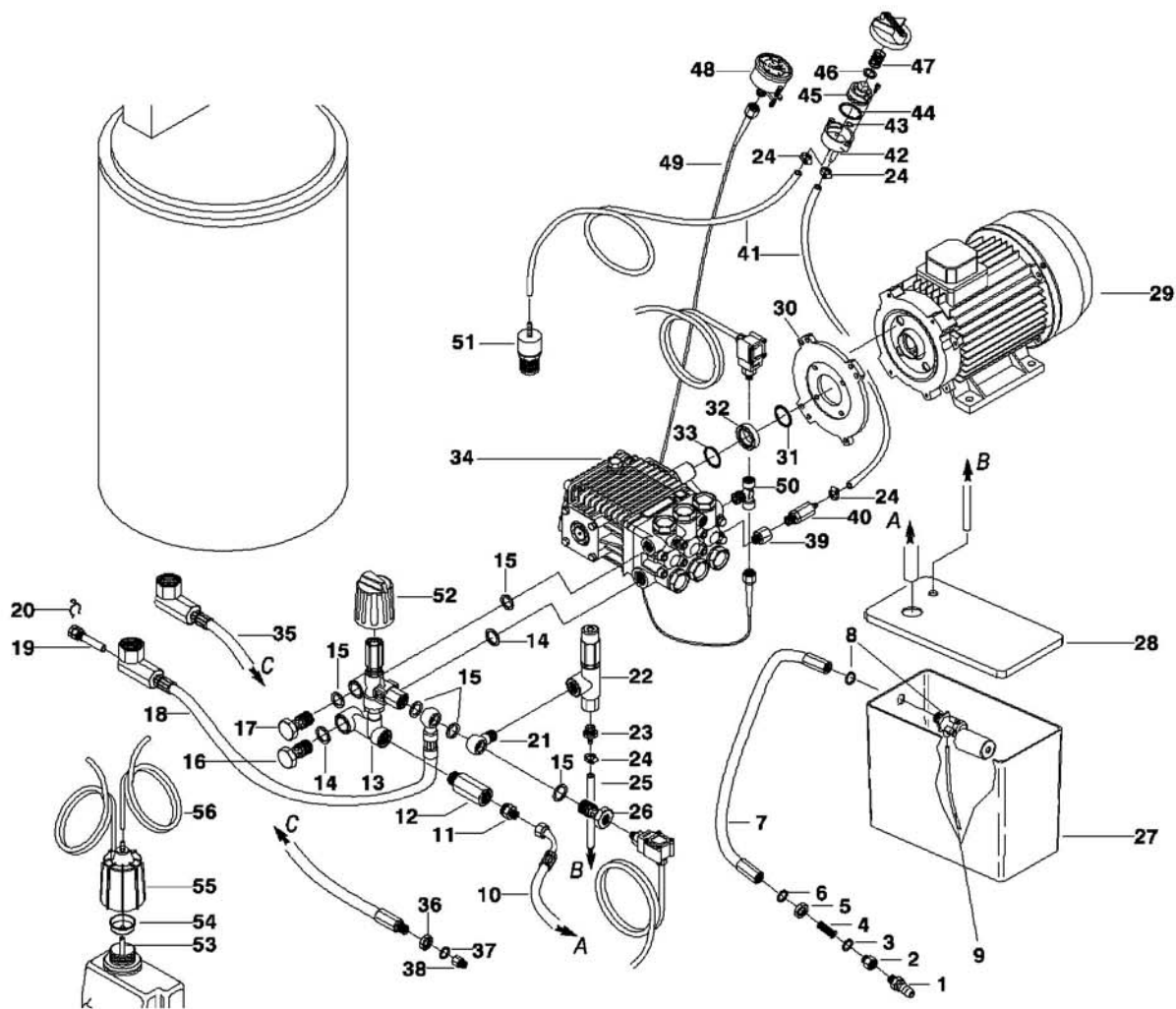




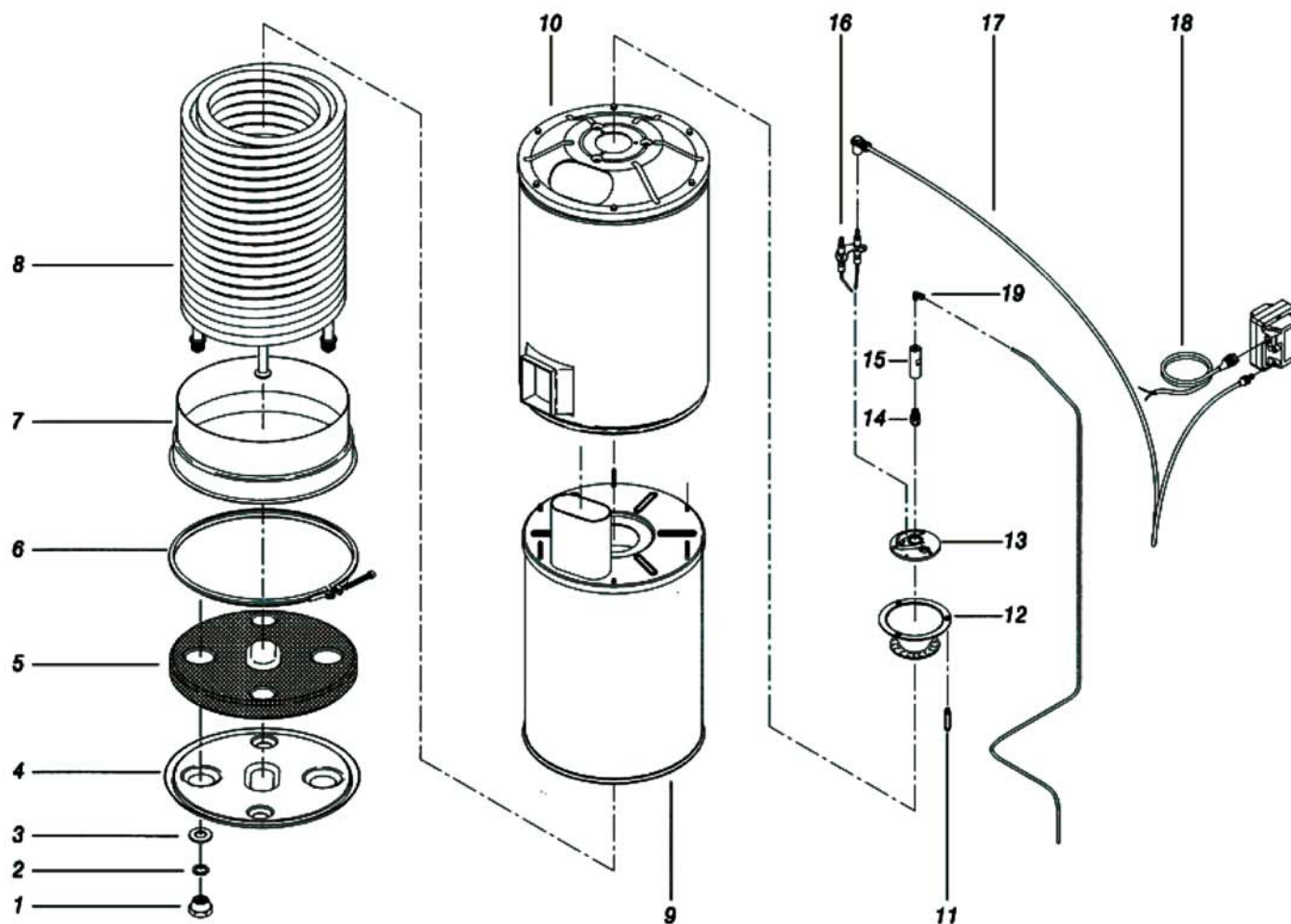
Ref. K	Part N.	Customer Part N.	Description	Qty	Validity:		Price
					From	To	
0001	LAFN49260		CARRELLO S.INDY/2	1,00			--
0002	RTRT60891		RUOTA FISSA D.250X50 D.20 SPI 2	2,00			--
0003	VTRS28558		ROSETTA D.20	2,00			--
0004	MPVR49273		COPRIRUOTA D. 250 RT/SPI.2 YL.	2,00			--
0005	MPVR49199		PANNELLO S.INDY/2 PS	1,00			--
0006	MPVR48086		SERBATOIO GASO.S.INDY/2 PEHD	1,00			--
0007	RTRT47975		RUOTA PIVOTTAN.D.100 P MZ.PLS.	1,00			--
0008	MEVR33994		SERRACAPO 4228 B D. 6- 18	1,00			--
0009	GUGO11489		GUARNIZIONE D.22X1,5	1,00			--
0010	PVVR11806		TAPPO SCARICO FLL	1,00			--
0011	MPVR40573		TAPPO TANICA MHDS-SK	1,00			--
0012	LAFN49264		SUPPORTO S.INDY/2	1,00			--
0013	MPVR33248		CASSETT.COMANDIMISTRAL PP	1,00			--
0014	GUGO11309		TRAFILATO MOUSSE D. 3	1,20			--
0015	MPVR33249		COPERCHIO CASS.MISTRAL	1,00			--
0016	ETET34267		ETICHETTA MST B.P. PVC R	1,00			--
0017	MPVR33250		COP. FERMACAVI MISTRAL	1,00			--
0018	MPVR10083		CODOLO OKA L=22	1,00			--
0019	GUGO23079		ANELLO V-SEAL VA0014 13.5- 15.5	1,00			--
0020	MPVR45228		MANOPOLA NERA KSM	3,00			--
0021	MPVR41903		SPESSORE TERM.IM.PA66	1,00			--
0022	MPVR23484		CODOLO THERM.KSM TUV	1,00			--
0023	GUGO01035		O-RING D. 13.95 X 2.62 NBR 70SH	1,00			--
0024	LAFN34423		STAFFA SUPPORTOMST.S-P	1,00			--
0025	LAFN25019		STAFFA OKN KSM	1,00			--
0026	MPVR49198		COPERTURA GIAL.S.INDY/2	1,00			--
0027	MPVR10058		MANIGLIA FLL	2,00			--
0028	TBAP53043		TUBO A.P. 5/16 210B. 8MT 3/8 F-F	1,00			--
0029	RCDS00610		NIPPLO 3/8 - 3/8 SV	1,00	03/2004		--
0030	IPPR82544		IMPUGNATURA SK1 3/8F C/PROL. M 22	1,00			--
0031	LCPR12976		PROLUNGA P 70	1,00			--
0032	UGLN00044		UGELLO 1/4 2505	1,00			--



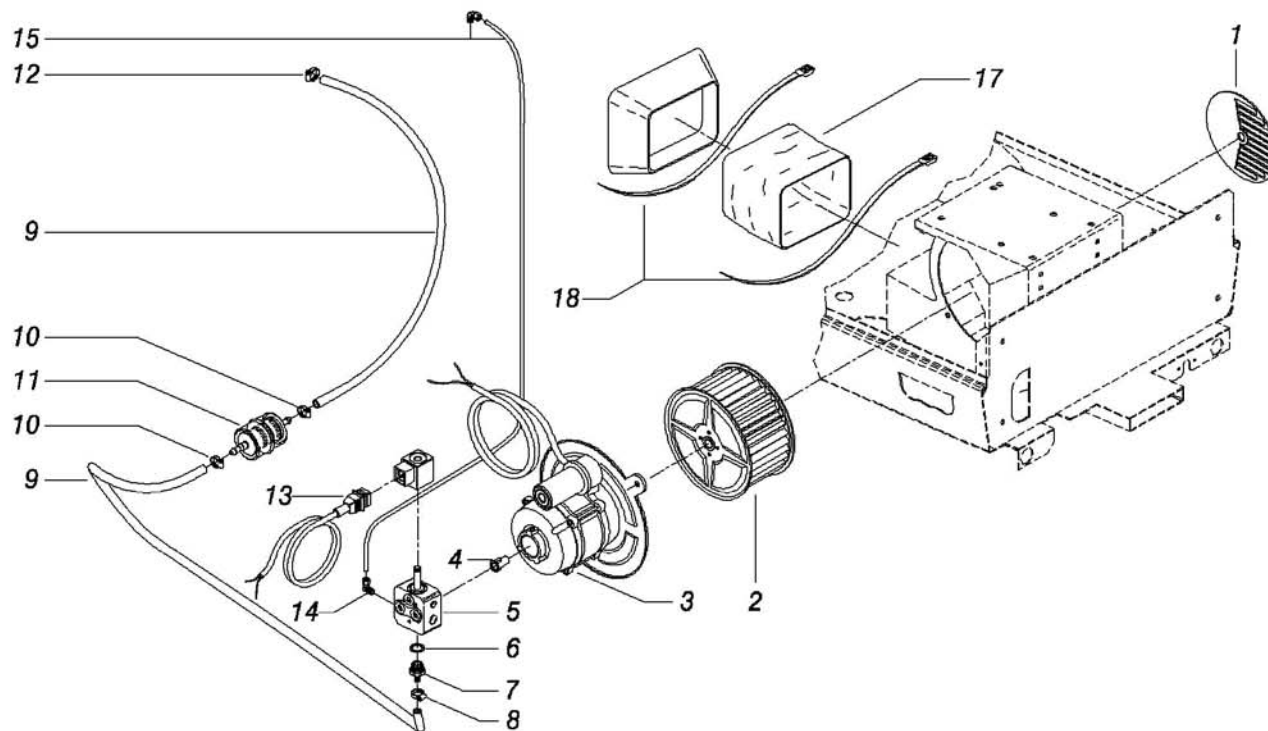
Ref.	K	Part N.	Customer Part N.	Description	Qty	Validity:		Price
						From	To	
0001		RCVR29600		PRESA PTC 3/4 F	1,00			--
0002		RCVR37806		RIDUZIONE PTC 3/4-1/2 M/F	1,00			--
0003		GUGO37736		GUARNIZIONE D. 10- 19 X 5 70SH	1,00			--
0004		FTAC30214		FILTRO D. 15X67	1,00			--
0005		RCDS49875		GHIERA 1/2"X 6 CH.27 OT.	1,00			--
0006		VTRS00549		ROSETTA D.21,5X27X1,5 (1/2) RM	1,00			--
0007		TBBP49338		TUBO B.P. L= 560 3/4F 90° - 1/2M	1,00			--
0008		RCGR60703		GALLEGGIANTE MTM 3/4 PP. S/F.	1,00			--
0009		TBBP07631		TUBO B.P. D.10-14	0,10			--
0010		TBBP46848		TUBO B.P. L=400 3/4F 90° -15X26	1,00			--
0011		RCDS87610		NIPPLO 3/4 - 1/2 CB D.13.0	1,00			--
0013		VVAZ46721		VALVOLA MV 625 W 99 AC S/IN. REG.	1,00			--
0014		VTRS12491		RONDELLA 1/2	2,00			--
0015		VTRS12492		RONDELLA 3/8	3,00			--
0016		RCDS12486		VITE CAVA G 1/2 L=48.5	1,00			--
0017		RCDS12495		VITE CAVA G 3/8 L=48.5	1,00			--
0018		TBAP49336		TUBO RACCORDATO3/ 8 R1 L=800 3/8O-1/2PMG	1,00			--
0019		RCDS00593		POZZETTO IM 0-120 L=50	1,00			--
0020		MLML02623		MOLLA IMT	1,00			--
0021		RCDS15150		RACCORDO O. 3/8 - G3/8M L=28.5	1,00			--
0022		VVSC21627		VALVOLA VS 220 G3/8	1,00			--
0023		RCDS03514		PORTAGOMMA 3/8 M.D. 5- 7	1,00			--
0024		FSVR00427		FASCETTA D. 12 CLIC 66-110	2,00			--
0025		TBBP04917		TUBO B.P. D. 6- 9	0,28			--
0026		RCDS88103		VITE CAVA G 3/8 - 1/8F L=53	1,00			--
0027		MPVR61359		VASCHETTA ACQUABK	1,00			--
0028		MPVR48151		COP. VASCHETTA BK FOR.	1,00	10/2003		--
0029		MOTR06344		MOTORE TR. AC HP 5.5 2/460-5/60 C.ED	1,00			--
0030		MFVR21309		CONTROFLANGIA MEC 90-100-112	1,00			--
0034		PPAP60969		POMPA "44" W 154 DX	1,00			--
0035		TBAP49337		TUBO RACCORDATO3/ 8 R1 L=525 M26+3/8F-P.	1,00			--
0036		RCDS21120		GHIERA M 26 X 1,5	1,00			--
0037		VTRS00548		ROSETTA D.17,5X22X1,5 (3/8)RM	1,00			--
0038		RCDS00610		NIPPLO 3/8 - 3/8 SV	1,00			--
0039		RCVR02606		RIDUZIONE 1/2-1/4 M/F	1,00			--
0040		VVSF46712		VALVOLA 1/4M -PG. D.3X7.5	1,00			--
0041		TBBP00051		TUBO RETINATO D. 6-12	1,30			--
0041		TBBP00051		TUBO RETINATO D. 6-12	0,80			--
0042		RCGR08069		CORPO RUBINETTODET. PRT	1,00			--



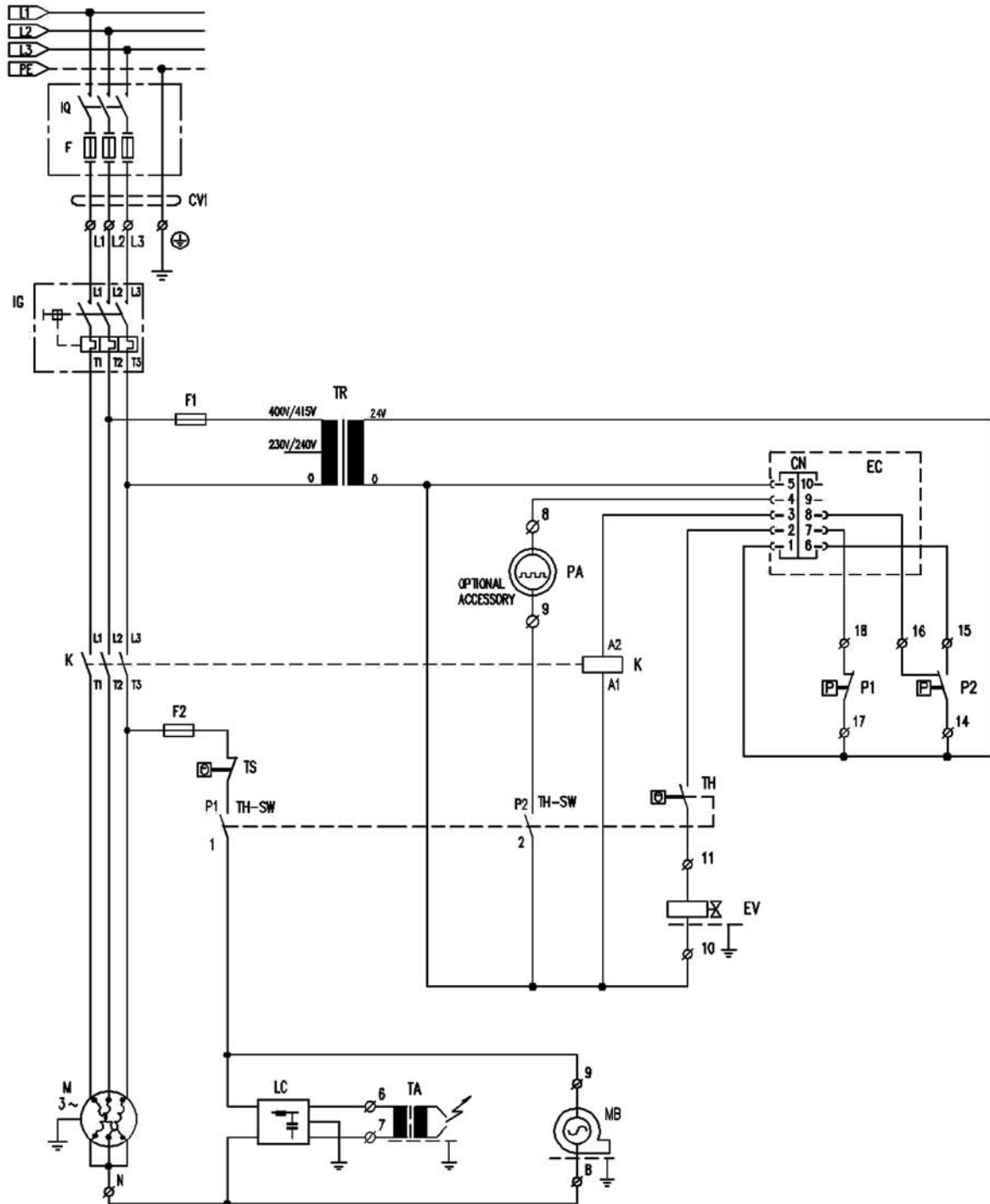
Ref. K	Part N.	Customer Part N.	Description	Qty	Validity:		Price
					From	To	
0043	GUGO12183		O-RING D. 23.4 X 3.53 VIT 70SH	1,00			--
0044	GUGO08071		O-RING D. 4.48 X 1.78 NBR 70SH	1,00			--
0045	RCGR08070		REGOLATORE PRT	1,00			--
0046	VTRS00542		ROSETTA D.14X20	1,00			--
0047	MLML08068		MOLLA D.1,5 L.23	1,00			--
0048	MNMN49621		MANOMETRO 0-250 D.50 INOX	1,00			--
0049	TBAP06875		TUBO POLIAMMIDEL=840 1/4-1/4 F-F	1,00			--
0050	RCDS40589		RACCORDO T 3/8M - 1/4 M/F OT.	1,00			--
0051	FTDT04648		FILTRO PG. D.6 PLS	1,00			--
0052	MPVR09436		MANOPOLA NERA ST 260	1,00			--



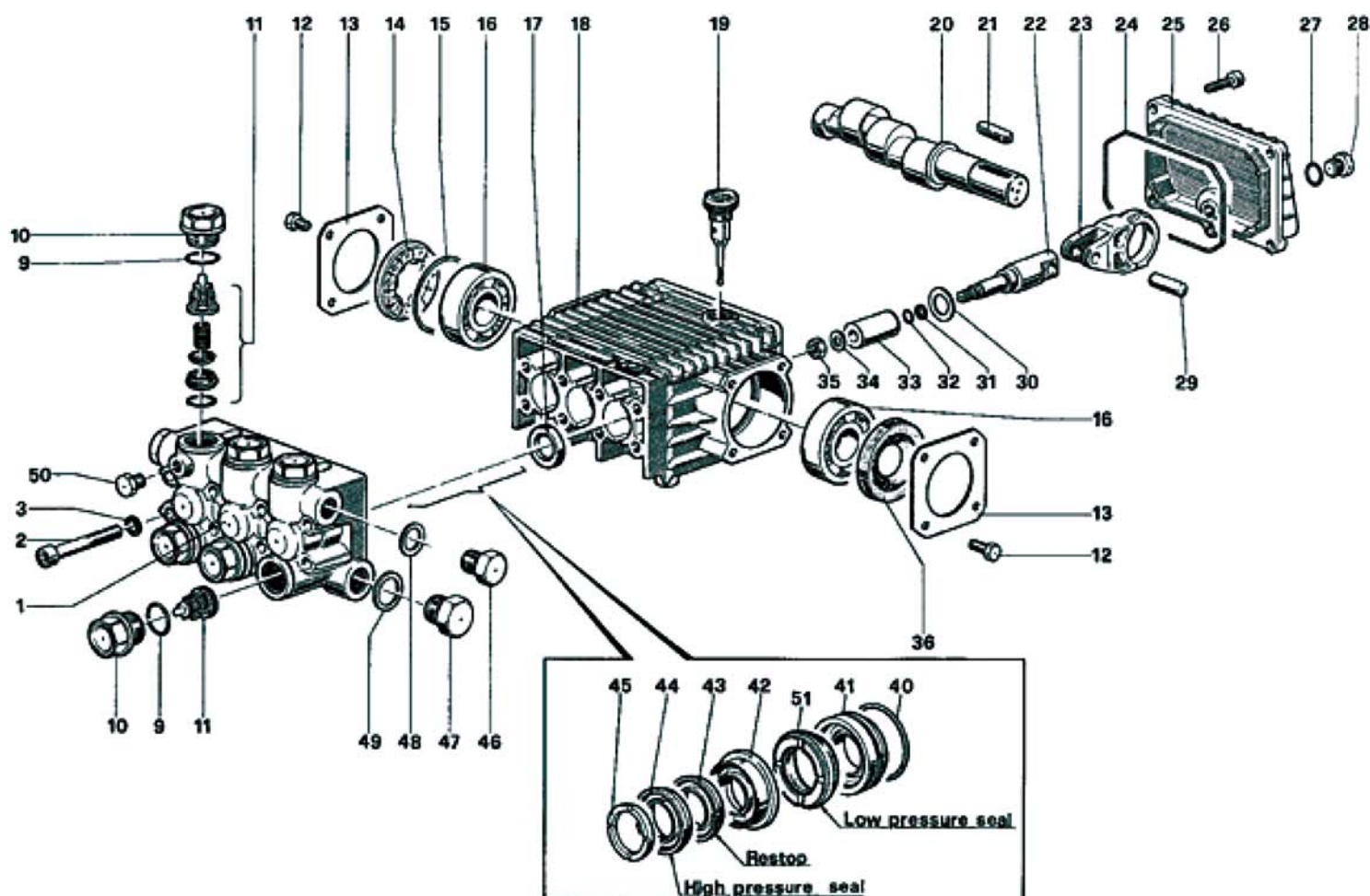
Ref. K	Part N.	Customer Part N.	Description	Qty	Validity:		Price
					From	To	
0001	RCDS21120		GHIERA M 26 X 1,5	2,00			--
0002	GUGO21222		O-RING D. 15.54 X 2.62 VIT 80SH	2,00			--
0003	GUVR21021		ANELLO ANTIES. D. 21 X17 TEF.	2,00			--
0004	LAFN44149		FONDO CALDAIA P176	1,00			--
0005	ITTE44175		FONDELLO P176 C.TE	1,00			--
0006	LAFN44150		ANELLO D.345 P176 ZN	1,00			--
0007	LAFN44151		FASCIA P176 INX	1,00			--
0008	LAGR44154		SERPENTINA DOP.M26X1.5 P176 30MT	1,00			--
0009	LAFN46225		CILINDRO INT. P176 CP.INX	1,00			--
0010	LAFN46223		CILINDRO EST. P176-FBX CP.	1,00			--
0011	LAFN44159		PERNO CH.10 X 75.7 M5M/M5M P176	3,00			--
0012	LAFN44244		DEFLETTORE P176 30M INX	1,00			--
0013	MFVR44251		PORTAELETTRODI P176	1,00			--
0014	UGBR22576		UGELLO BRUC. 1.35 60 S	1,00			--
0015	RCDS07642		PORTAUGELLO FUT	1,00			--
0016	MECA12525		ELETTRODO FUT	1,00			--
0017	MECV35336		CAVO A.T. 9,8-23KOHM/M L= 750P	2,00			--
0018	MECB34463		CAVO BT L=800 SP.	1,00			--
0019	RCVR08954		GOMITO 1/8"-4 B5	1,00			--



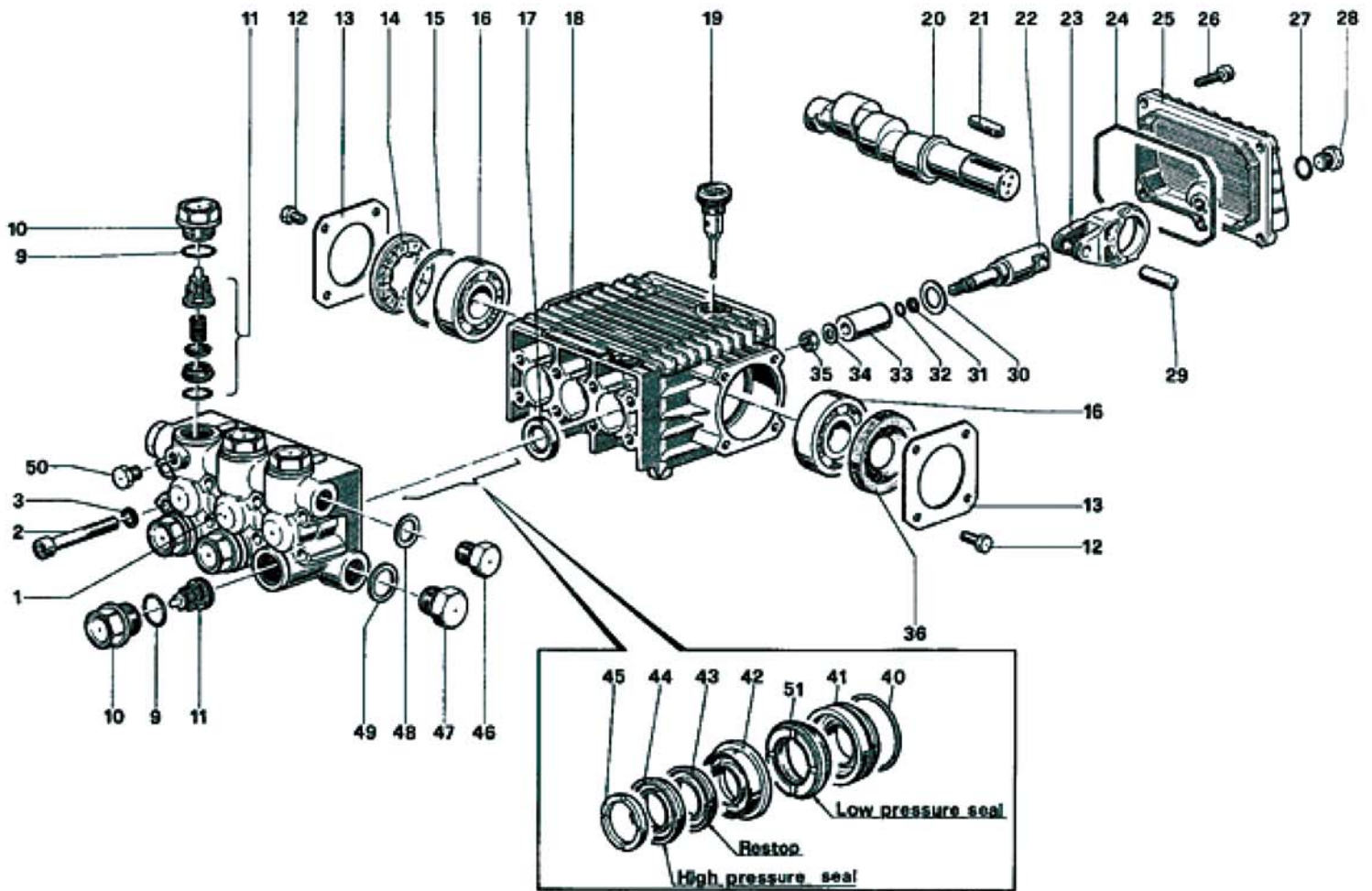
Ref. K	Part N.	Customer Part N.	Description	Qty	Validity:		Price
					From	To	
0001	LAFN40725		PROTEZIONE INDY-TK	1,00			--
0002	VEVR40680		VENTOLA RS.D.145-77 D.12.7 RF	1,00			--
0003	MOMB87999		MOTORE BRUCIAT.230-50 IP44 110W AO/F+CON	1,00			--
0004	KTRI36516		KIT P 18- 9	1,00			--
0005	PPGS88084		POMPA GASOLIO DLT ALLUM. A1L1	1,00			--
0006	VTRS04931		ROSETTA D.13X19X1.5	1,00			--
0007	RCDS00626		PORTAGOMMA 1/4 M D. 5- 7	1,00			--
0008	FSVR00427		FASCETTA D. 12 CLIC 66-110	1,00			--
0009	TBCO06945		TUBO B.P. D. 6-12 10BAR	0,20			--
0009	TBCO06945		TUBO B.P. D. 6-12 10BAR	0,80			--
0010	FSVR11197		FASCETTA D.I. 11 13315	2,00			--
0011	FTCO34840		FILTRO GASOLIO FB 1	1,00			--
0012	FSVR15255		FASCETTA D. 8-12	1,00			--
0013	MECB18118		CAVO DLT L=1.600	1,00			--
0014	RCVR14014		RACCORDO BICONODTT 1/8" M B1 D. 2/ 4 NIK	1,00			--
0015	TBCO49339		TUBO GASOLIO INDY/2 D. 4	1,00			--
0017	GUVR88156		MANICOTTO S.INDY/2 D.150-155	1,00			--
0018	FSVR01873		FASCETTA LG 31920 9 X500	2,00			--



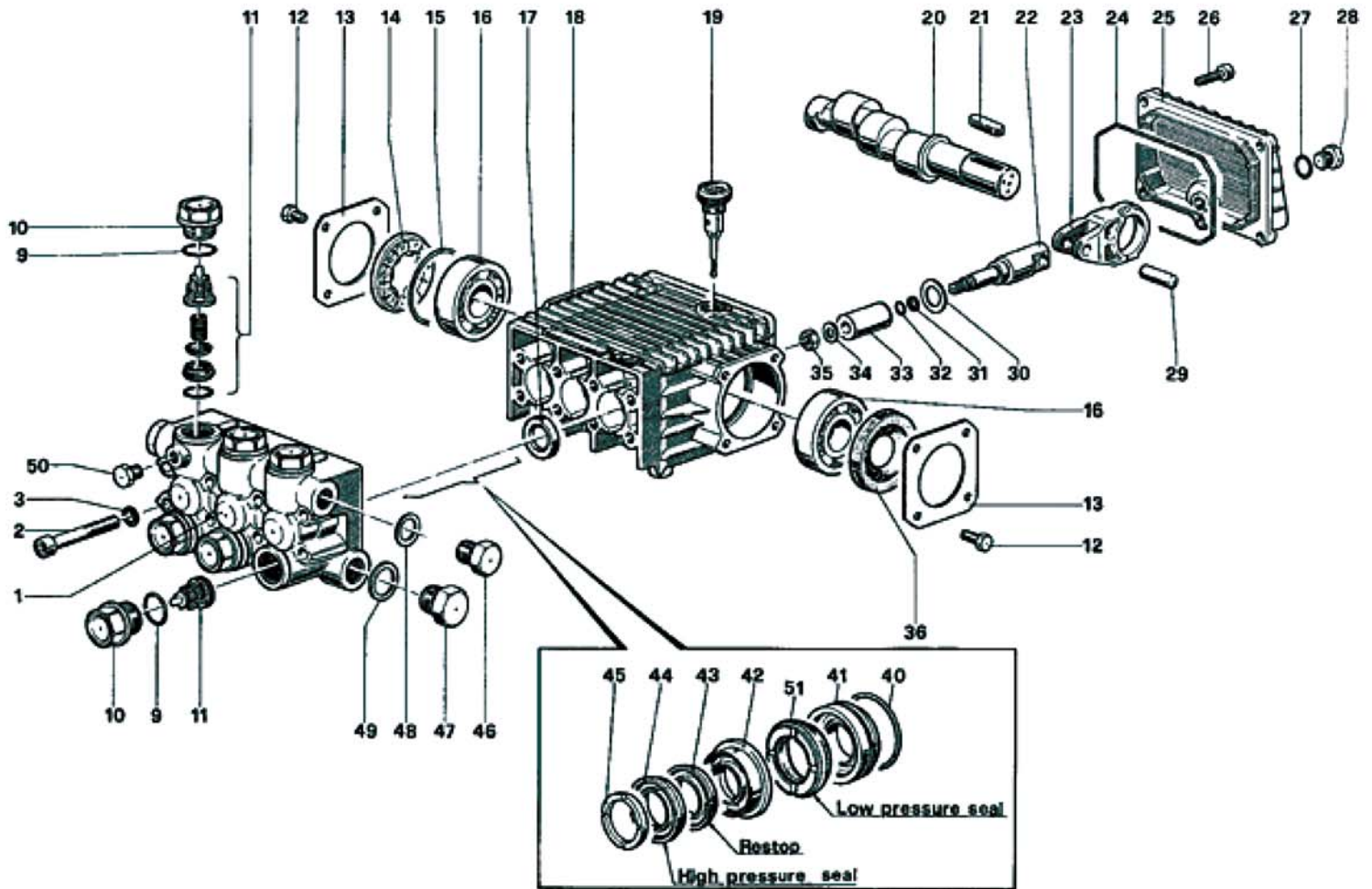
Ref. K	Part N.	Customer Part N.	Description	Qty	Validity:		Price
					From	To	
K	METT45018		TELERUTTATORE SIE 3RT 1016 1AB01 24V	1,00			--
EC	MECE48580		SCHEDA ELETTR. P190 T-ST/MP V.PLUS	1,00			--
EV	MEBE48504		BOBINA ELET. DLT 24-50 NF84	1,00			--
F1	MEVR09010		FUSIBILE 5X20 0,5A	1,00			--
F2	MEVR00237		FUSIBILE 5X20 3,15A	1,00			--
IG	MECI08294		INTERRUTTORE O.K.N. 10-16 A	1,00			--
LC	MECE34831		FILTRO LC F.AH.DA.3100ZF 6.5A	1,00			--
P1	MEPF39741		PRESSOSTATO MTM 1/8M NA/NC 25B. MICRO	1,00			--
P2	MEPF39902		PRESSOSTATO MTM 1/4M NA/NC 25B. MICRO	1,00			--
TA	METR34464		TRASFORMATORE 230V-50HZ 2X4000V SP4 CM	1,00			--
TH	METK33752		TERMOSTATO 30-150°C TR/711-N+ BS75	1,00			--
TR	METR11977		TRASFORMATORE 35VA 230-400/24 50/60HZ	1,00			--
TS	METK34839		TERMOSTATO 50°C TR/711-N C.1.5	1,00			--
CV1	MECB10518		CAVO H07 RNF 4X1.5 L=6.500	1,00			--



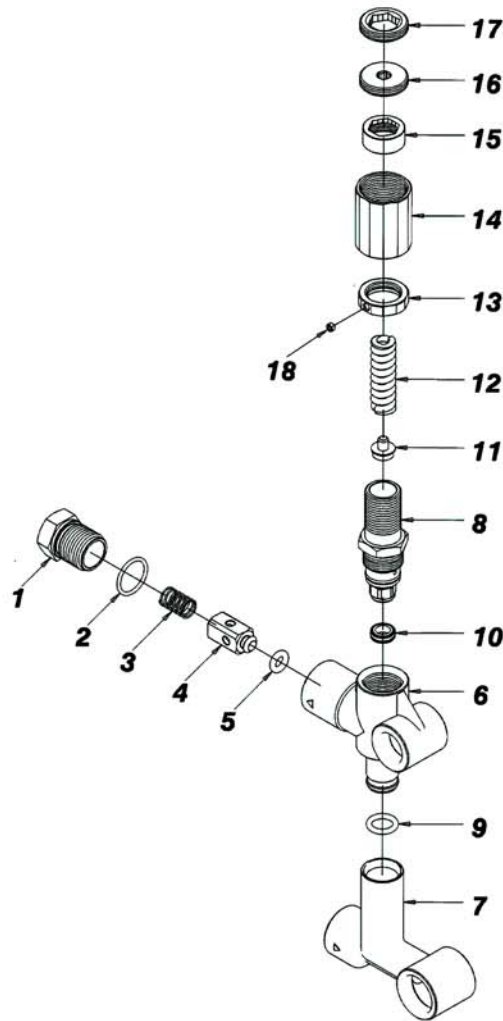
Ref.	K	Part N.	Customer Part N.	Description	Qty	Validity:		Price
						From	To	
0001		MFVR35540		TESTATA "44" WW D.18 OT	1,00			--
0002		VTVT01121		VITE TCEI 8X60 UNI5931	8,00			--
0003		VTRS01072		ROSETTA D. 8 TC	8,00			--
0009	S	GUGO19395		O-RING D. 20.24 X 2.62 NBR 70SH	6,00			--
0010	S	RCDS28466		TAPPO M24X1.5X17 "44"	6,00			--
0011	S	VVAM28467		GRUPPO VALVOLA "44" WW136-186	6,00			--
0012		VTVT01109		VITE TE 6X10 UNI5739	8,00			--
0013		MFVR03562		COPERCH. CARTERW 70	2,00			--
0014		MFVR28454		DISTANZIALE "44"	1,00			--
0015		GUGO01040		O-RING D. 55.56 X 3.53 NBR 70SH	1,00			--
0016		CUVR09654		CUSCIN.A SFERE 6305	2,00			--
0017	S	GUGO01001		ANELLO RADIALE 20X 30X 5 NBR70	3,00			--
0018		MFVR28453		CARTER POMPA "44"	1,00			--
0019		PVVR01089		TAPPO CAR.OLIO W 70	1,00			--
0020		ALMO28464		ALBERO "44" WW 136	1,00			--
0021		VTVR09510		CHIAVETTA 8X7X35	1,00			--
0022		PVVR28457		GUIDA PISTONE "44"	3,00			--
0023		BLVR28459		BIELLA "44"	3,00			--
0024		GUGO18695		O-RING D. 101.27 X 2.62 NBR 70SH	1,00			--
0025		MFVR28460		COPERCH. CARTER"44"	1,00			--
0026		VTVT01114		VITE TCEI 6X14 UNI 5931	5,00			--
0027		GUGO01036		O-RING D. 10.82 X 1.78 NBR 70SH	1,00			--
0028		RCDS01088		TAPPO 1/4X 9 M WW90	1,00			--
0029		PVVR28458		SPINOTTO D.10X29.5 "44"	3,00			--
0030		VTRS28456		ROSETTA D.16 X28 X1	3,00			--
0031		GUVR10257		ANELLO ANTIES. WW161	3,00			--
0032		GUGO01055		O-RING D. 5.28 X 1.78 VIT 70SH	3,00			--
0033		PIVR28455		PISTONE D.18 "44"	3,00			--
0034		VTRS09321		ROSETTA D. 8X13X1	3,00		07/2002	--
0034		VTRS46027		ROSETTA D. 8 C/CLL.	3,00	07/2002		--
0035		VTDD04284		DADO M8X1,25 X13X5 S2 INX	3,00			--
0036		GUGO28465		ANELLO RADIALE 25X 62X10 NBR70	1,00			--
0040	S	GUGO01039		O-RING D. 31.47 X 1.78 NBR 70SH	3,00			--
0041	S	PVVR28506		ANELLO DI FONDOD. 18 "44"	3,00			--
0042	S	PVVR28504		ANELLO INTERM. D. 18 "44"	3,00			--
0043	S	GUVR28503		ANELLO TENUTA D. 18 RESTOP	3,00			--
0044	S	GUVR28502		ANELLO TENUTA D. 18	3,00			--
0045	S	PVVR28501		ANELLO DI TESTAD. 18 "44"	3,00			--
0046		RCDS01090		TAPPO 3/8X13 M WW90	1,00			--



Ref. K	Part N.	Customer Part N.	Description	Qty	Validity:		Price
					From	To	
0047	RCDS01091		TAPPO 1/2X10 M	1,00			--
0048	VTRS01074		ROSETTA D.17,05X22,3 X1,5	1,00			--
0049	VTRS01075		ROSETTA D.21,5X27 ALL	1,00			--
0050	RCDS09704		TAPPO G 1/8 KR	1,00			--
0051	S GUVR34583		ANELLO TENUTA D. 18 L.P.	3,00			--



Ref. Part N.	Cust. Part N.	Description	Reference	Price
KTRI18585	KIT P	23	0017	--
KTRI28508	KIT P	15-123	0011	--
KTRI28510	KIT P	15-124	0009 0010	--
KTRI28514	KIT P	15-126	0040 0041	--
KTRI28516	KIT P	127	0043 0044 0051	--
KTRI28518	KIT P	128	0042	--
KTRI28520	KIT P	129	0045	--
KTRI28524	KIT P	131	0040 0041 0042 0043 0044 0045 0051	--



Ref. K	Part N.	Customer Part N.	Description	Qty	Validity:		Price
					From	To	
0001	PVVR47977		RACCORDO MV625 G 3/8F	1,00			--
0002	GUGO01058		O-RING D. 17.17 X 1.78 NBR 70SH	1,00			--
0003	MLML47978		MOLLA MV 625	1,00			--
0004	PVVR47979		SPILLO MV 625	1,00			--
0005	GUGO46053		O-RING D. 6 X 3 NBR 90SH	1,00			--
0006	PVVR47980		CORPO VALVOLA MV 625	1,00			--
0007	PVVR47981		RACCORDO MV 625 H.63	1,00			--
0008	PVVR47988		RACCORDO MV 625 REG.	1,00			--
0009	GUGO11225		O-RING D. 10.78 X 2.62 NBR 70SH	1,00			--
0010	PVVR47985		SEDE VALVOLA MV 625 + O-RING	1,00			--
0011	PVVR47986		PIATTELLO MOLLAMV 625	1,00			--
0012	MLML47987		MOLLA D. 3.25X41.1 MV 625	1,00			--
0013	PVVR47984		GHIERA MV 625	1,00			--
0014	PVVR47989		CAPPUCCIO MV 625 REG.	1,00			--
0015	PVVR47990		GHIERA MV 625 REG.	1,00			--
0016	PVVR47991		REGISTRO MV 625 REG.	1,00			--
0017	PVVR47992		FERMO MV 625 REG.	1,00			--
0018	VTVT24918		VITE EI-ST 4X 4 UNI5927	1,00			--