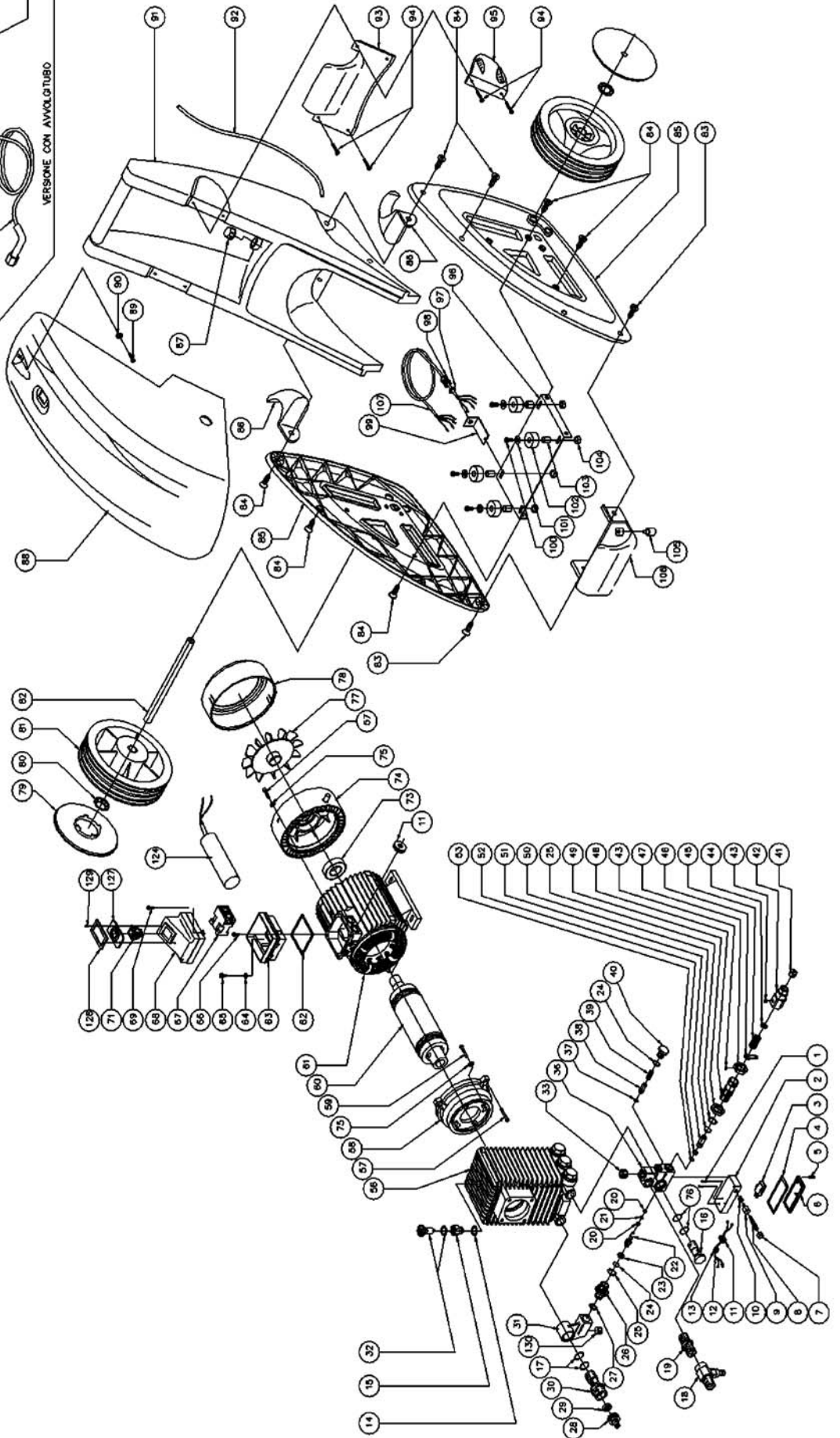
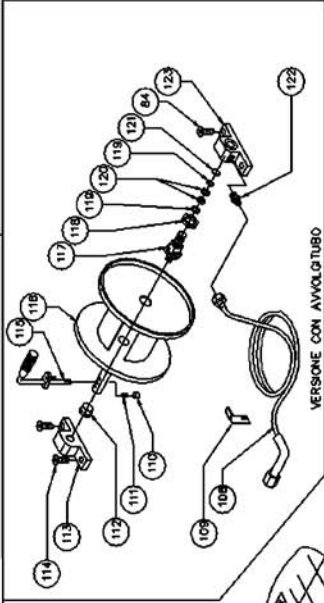
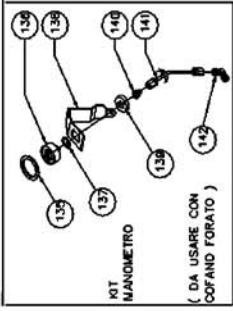


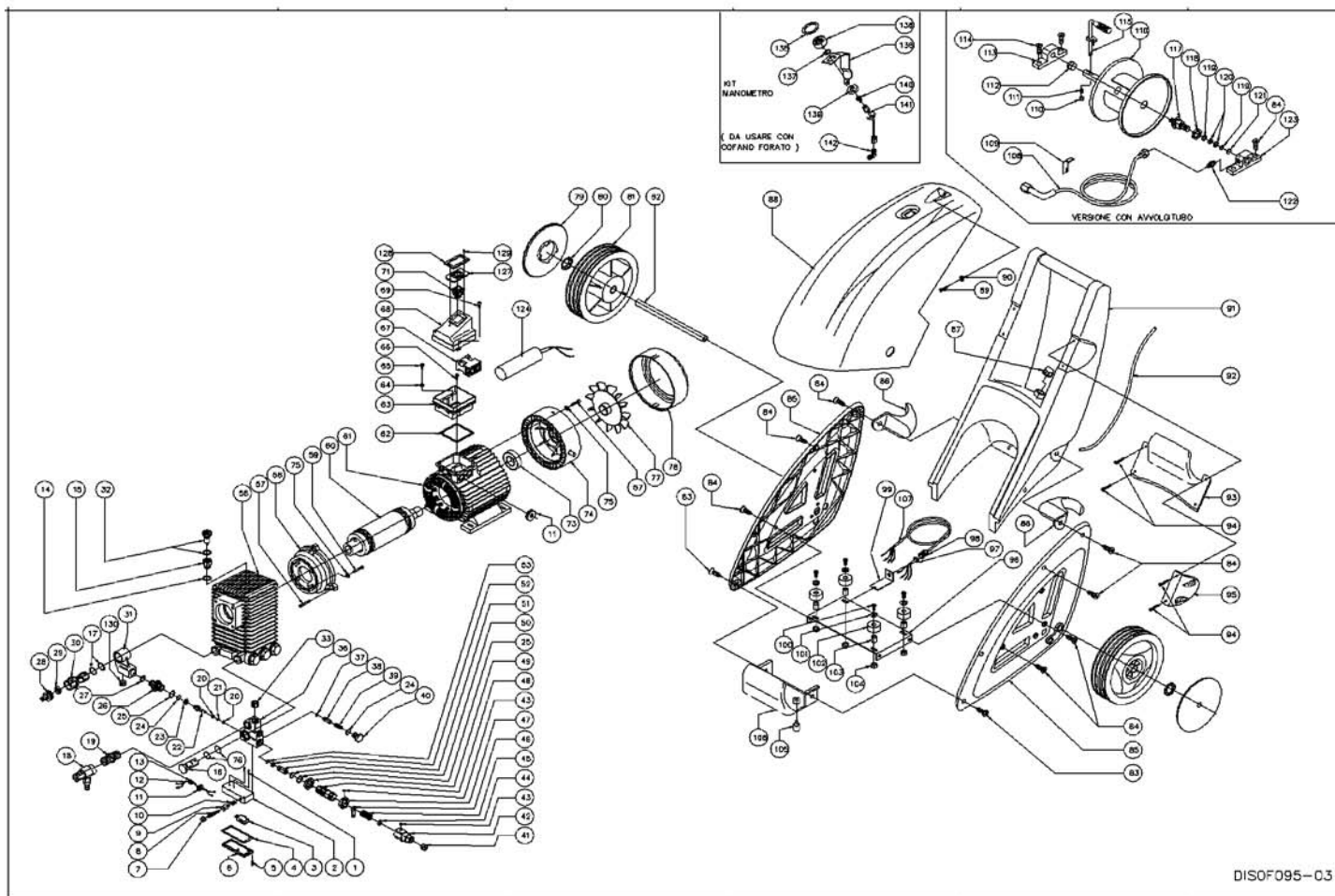


Por favor, al realizar un pedido de recambios, indique la referencia de la pieza,
la máquina a la que pertenece, el número de página del despiece y la posición.
Muchas gracias.

KRÜGER[®]

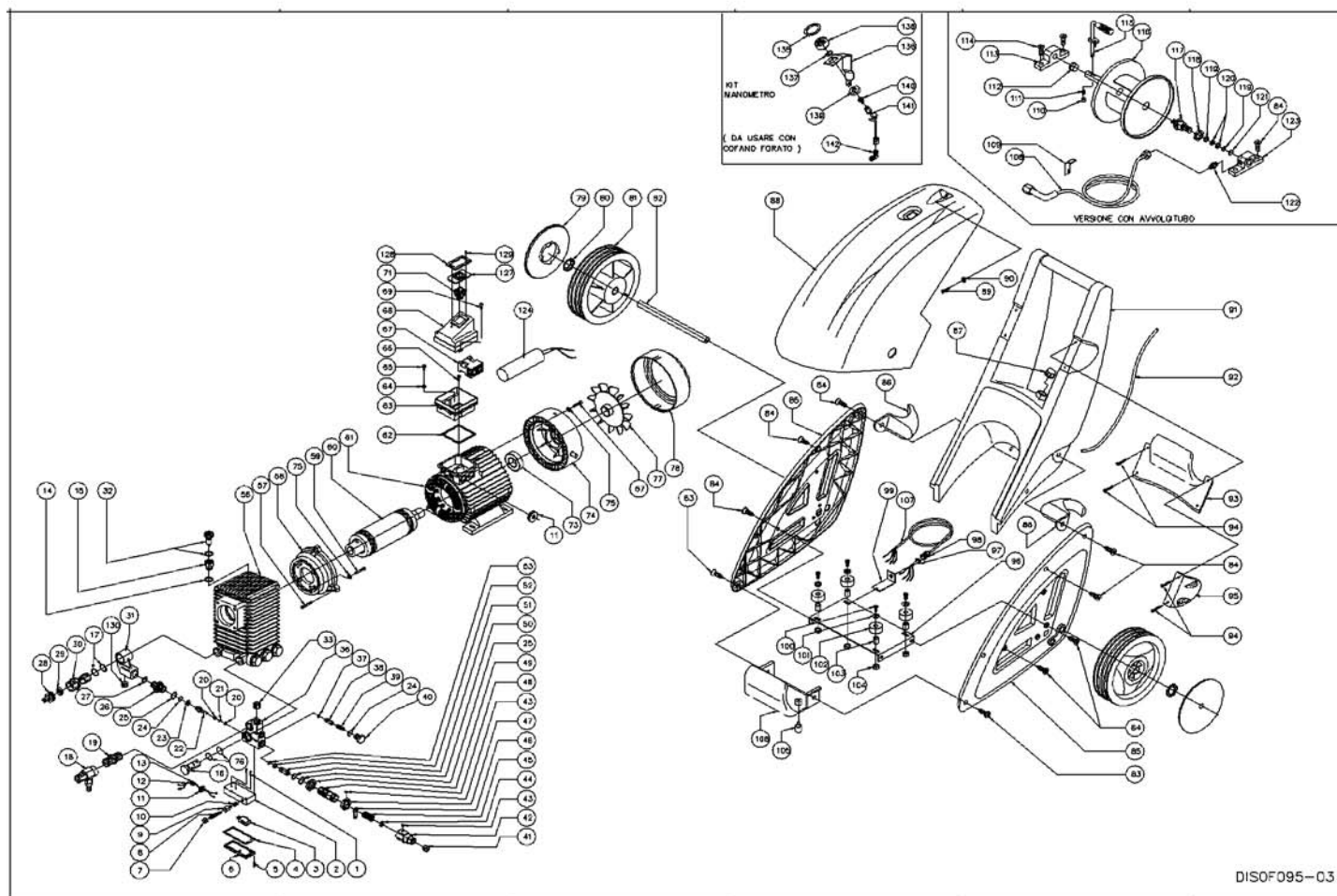
FT21516TS





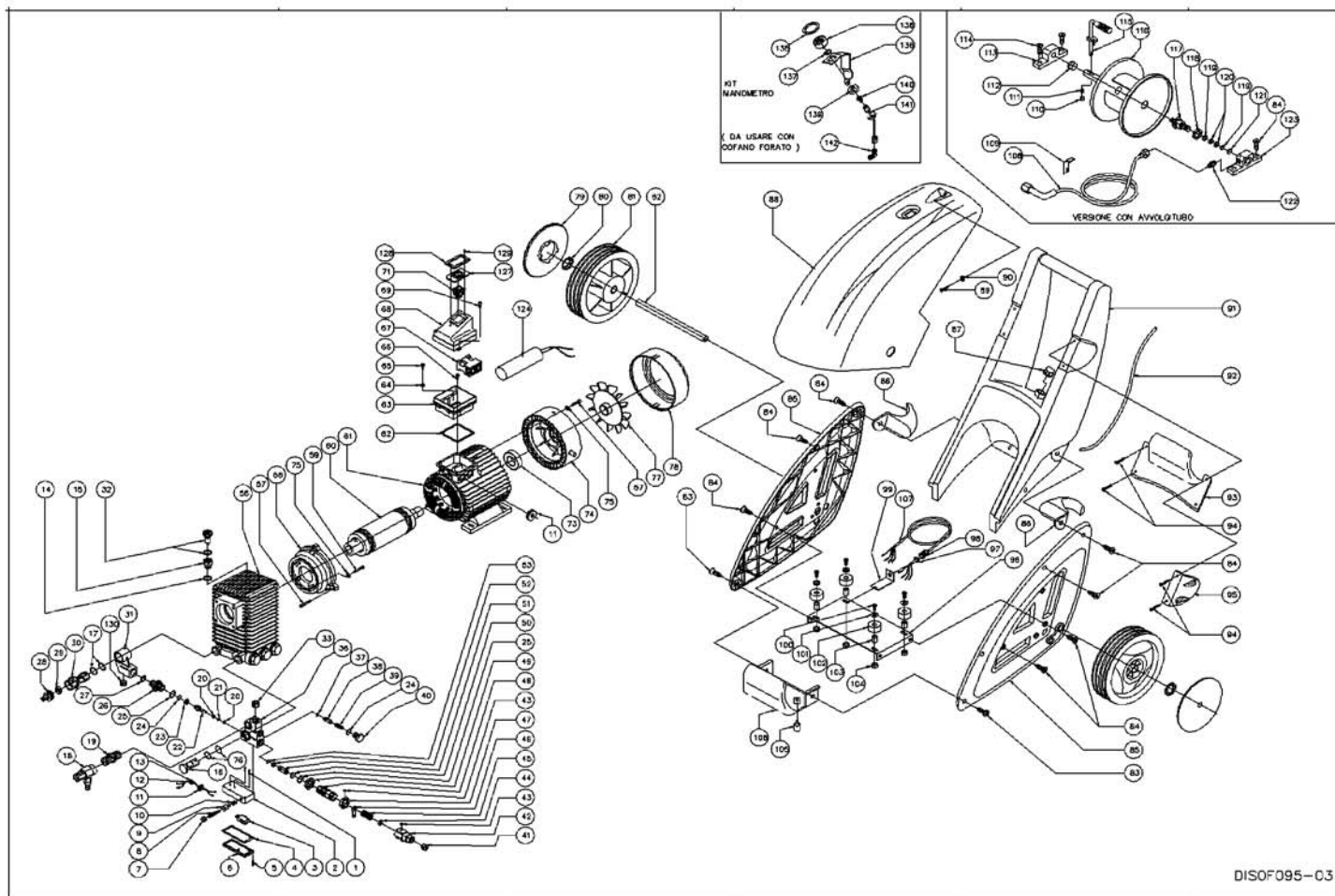
DISOF095-03

Ref. K	Part N.	Customer Part N.	Description	Qty	Validity:		Price
					From	To	
0001	VTVT63123		VITE M 3X8 TSPCR ZN DIN 7987	2,00	10/2000		--
0002	MPVR40209		COPERCHIO S.T-STOP S/2	1,00	10/2000		--
0003	MECI80639		MICROINTERRUT. 20A F.S/L	1,00	10/2000		--
0004	GUVR40208		GUARNIZIONE T-ST. S/2	1,00	10/2000		--
0005	VTVT62945		VITE ATF UNI 7981 2,2X10ZN S/P	5,00	10/2000		--
0006	MICT60090		SCATOLA PORTA MICRO AQUA3300	1,00	10/2000		--
0007	VTDD01678		DADO M 5 UNI 5588	1,00	10/2000		--
0008	VTVT63056		VITE M 5X20 EI-ST UNI 5925	1,00	10/2000		--
0009	MPVR60267		SPINOTTO MICRO VALV.TK	1,00	10/2000		--
0010	MPVR41620		SOFFIETTO S.T-STOP FP	1,00	10/2000		--
0011	MPVR60519		PASSACAPO 20/28 H11/S4	2,00	12/2000		--
0012	MPVR40207		PASSACAPO COND.D.5.5 55 SHORE	1,00	10/2000		--
0013	MECB64221		CAVO 2X1,5 L=770 TS	1,00	10/2000		--
0014	VTRS63211		RONDELLA 19X13X1.5 GMM	1,00	02/2001		--
0015	RCDS81940		PROLUNGA SFIATO OLIO 3/8-1/4 S"44"	1,00	02/2001		--
0016	RCDS59233		VITE CAVA G3/8 X VALV.	1,00			--
0017	GUGO01048		O-RING D. 15.88 X 2.62 NBR 70SH	2,00			--
0018	EIDT64147		INIETTORE DETERG. 3/8 D.2,3	1,00			--
0019	RCDS62601		NIPPLO ATT. INIETT. VALV.	1,00			--
0020	GUVR63579		ANELLO ANTIES. 7X4,1X1,5 OR2015	2,00	10/2000		--
0021	GUGO63485		O-RING D. 4 X 2 NBR 70SH	1,00	10/2000		--
0022	PVVR59212		VALVOLA BY-PASSCHIUSURA BY PASS	1,00	10/2000		--
0023	PVVR59203		SEDE VALVOLA REG0LAZ.PRESSIONE	1,00	10/2000		--
0024	GUGO01036		O-RING D. 10.82 X 1.78 NBR 70SH	2,00	10/2000		--
0025	GUGO63448		O-RING D. 13.95 X 2.62 NBR 90SH	2,00	10/2000		--
0026	RCDS59636		NIPPLO INF. VALVOLA	1,00	10/2000		--
0027	GUGO63445		O-RING D. 10.78 X 2.62 NBR 70SH	1,00	10/2000		--
0028	RCVR62752		PRESA 3433 BK.	1,00	04/1998		--
0029	LAFN58908		FILTRO ASPIRAZ.INDY	1,00			--
0030	RCVR62843		RACCORDO ASPIR.G3/4 VALVOLA REG.	1,00			--
0031	MFVR58351		RACCORDO BY-PASS	1,00	10/2000		--
0032	PVVR82225		TAPPO CAR.OLIO W 1513 TAGLIATO	1,00	02/2001		--
0033	RCDS59684		TAPPO G 3/8 CON.	1,00	10/2000		--
0036	PVVR59461		CORPO VALVOLA C/FORO G3/8 SX	1,00	10/2000		--
0037	GUGO63460		O-RING D. 4.30 X 2.4 NBR 90SH	1,00	10/2000		--
0038	VVSF59764		VALVOLA N.RIT.	1,00	10/2000		--
0039	MLML59294		MOLLA VALV. NON RIT.	1,00	10/2000		--
0040	RCDS59227		TAPPO VALVOLA NON RITORNO	1,00	10/2000		--
0041	PVVR59564		GRANO REG.MOLLA VALVOLA OT	1,00	10/2000		--



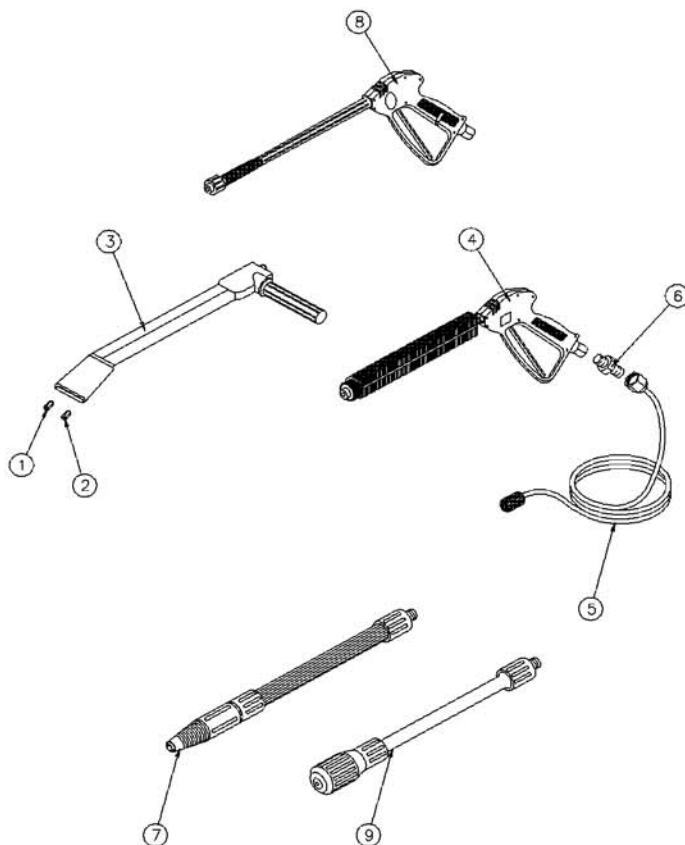
DISOF095-03

Ref. K	Part N.	Customer Part N.	Description	Qty	Validity:		Price
					From	To	
0042	RCDS59626		MANICOTTO REG.PRESS.CON FERMO	1,00	10/2000		--
0043	VTVT63069		VITE M 3X 6 EI-ST UNI5923 BR.	2,00	10/2000		--
0044	VTRS63270		RONDELLA TRANCIATA X VALV.INOX	1,00	10/2000		--
0045	MLML59268		MOLLA REGOL.PRESS.X VALV.	1,00	10/2000		--
0046	LAFN58930		PALETTA AZ.MICRO AQUA3300 ZN.T	1,00	10/2000		--
0047	RCVR59740		CONTRODADO X VALVOLA CON FERMO	1,00	10/2000		--
0048	RCDS59643		NIPPLO SUP.C/F VALV.R PRES.	1,00	10/2000		--
0049	RCVR59739		CONTRODADO X VALVOLA	1,00	10/2000		--
0050	PVVR59107		PIATTELLO MOLLA X VALVOLA INOX	1,00	10/2000		--
0051	PVVR59175		PISTONCINO AP.BY-PASS X VALV.	1,00	10/2000		--
0052	GUVR63584		ANELLO ANTIES. 11X8,1X1,5-OR 2031	1,00	10/2000		--
0053	GUGO06772		O-RING D. 7 X 2 NBR 70SH	1,00	10/2000		--
0056	PPAP60974		POMPA "44" WW156 DX FP	1,00			--
0057	VTVT62921		VITE TE M 6X 25 F/RD.ZN	8,00	11/1998		--
0058	MFVR57983		FLANGIA MEC 100 IP	1,00			--
0059	VTVT12255		VITE TCEI 6X25 UNI5931	4,00	11/1998		--
0060	MORT50707		ROTORE M.EL. CPL 80X36 H140 IP	1,00	11/1998		--
0061	MOST50069		STATORE MOT.EL.150X80H140 230/400/50+TER	1,00	11/1998		--
0062	GUVR63638		GUARNIZIONE BASET.MOTORE SP.2	1,00	04/1998		--
0063	MPVR81806		BASE SUPPORTO SC.EL. FT200 M100 TST	1,00	04/2001		--
0064	VTRS63310		ROSETTA D. 4	1,00			--
0065	VTVT14839		VITE M 4X 6 TCB TC DIN 7985	1,00	02/1998		--
0066	VTVT09682		VITE TPS-TC 5X12 UNI7688	4,00	08/1998		--
0067	METT61677		CONTATTORE CL25A300TU 11KW380/400V	1,00			--
0068	MPVR80674		COPERCHIO SC.EL. FT200 S2	1,00	07/2000		--
0069	VTVT62983		VITE ATF TC CROCE M3,9X19 BRU	2,00			--
0071	MECI81105		INTERRUTTORE SLX 16A 250V 0-1 8212 BI	1,00	07/2000		--
0073	CUVR53299		CUSCIN.A SFERE 6206-2RS 30X62X16	1,00	11/1998		--
0074	MFVR58021		SCUDO MEC 100 LV.	1,00	11/1998		--
0075	VTRS63305		ROSETTA D. 6.4 SCHNORR ZC.	4,00	11/1998		--
0076	GUGO01942		O-RING D. 20.63 X 2.62 NBR 70SH	2,00			--
0077	VEVR61015		VENTOLA MOTORE MEC 100 VTG-100	1,00	11/1998		--
0078	LAFN62031		COPRIVENTOLA MEC 100 L	1,00	11/1998		--
0079	MPVR60917		COPRIMOZZO SPI 2 D.250 BK	2,00	01/1998		--
0080	VTRS28558		ROSETTA D.20	2,00	06/2001		--
0081	RTRT60891		RUOTA FISSA D.250X50 D.20 SPI 2	2,00			--
0082	LAFN62390		ASSE RUOTE FT200	1,00			--
0083	VTVT63136		VITE M 8X30 TSPEI ZN	2,00	04/1998		--
0084	VTVT63134		VITE M 8X25 TSPEI ZN	10,00	01/1998		--



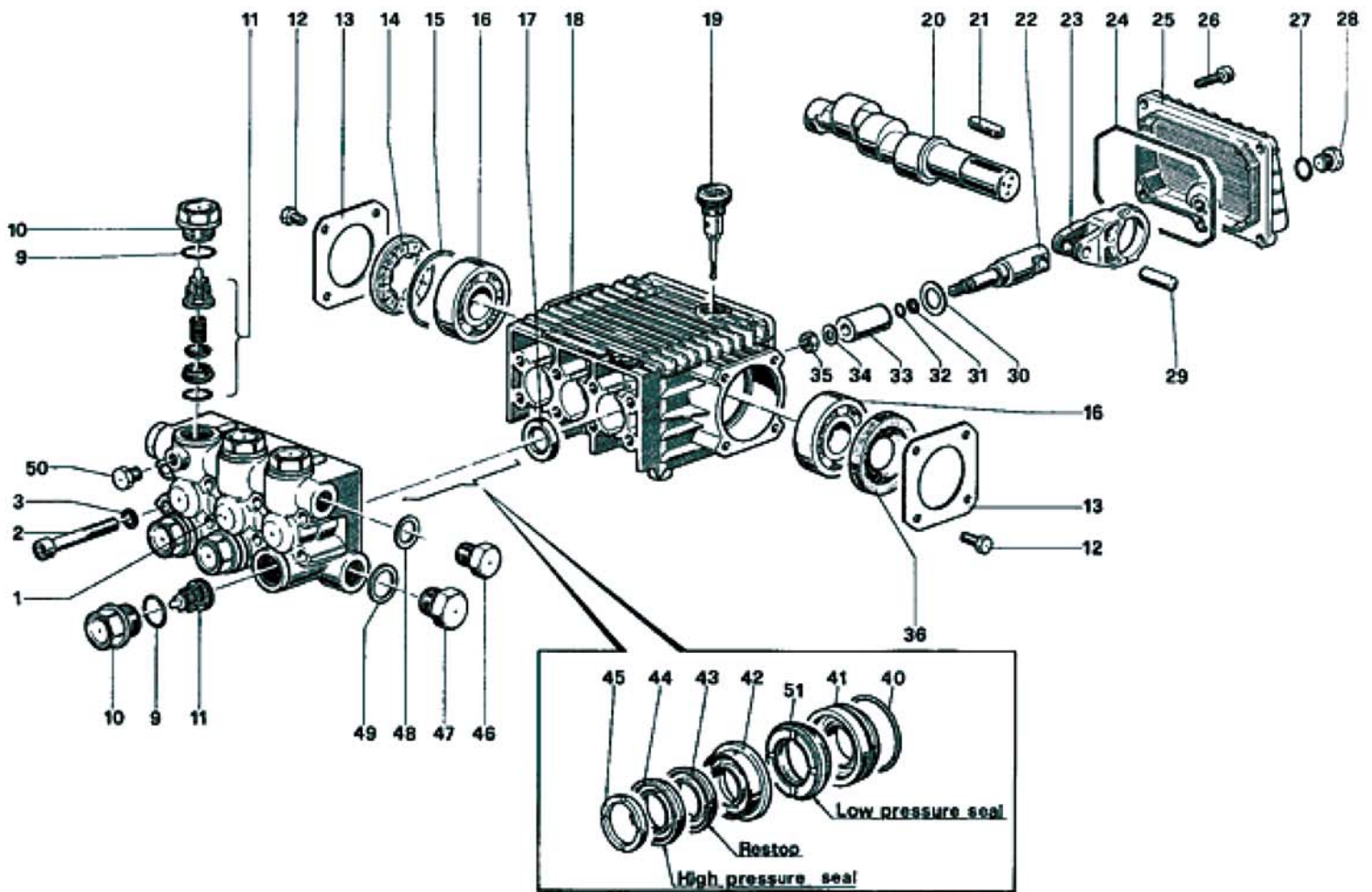
DISOF095-03

Ref. K	Part N.	Customer Part N.	Description	Qty	Validity:		Price
					From	To	
0085	MFVR58365		TELAIO CARRELLO FT200	2,00	01/1998		--
0086	LAFN58986		PIASTRINA AVVOLGICAVO FT200	2,00	04/1998		--
0087	MPVR60848		TAPPO SERBATOIO 1-1/4F	1,00			--
0088	MPVR82502		COPERTURA GIAL.FT200 INZ.	1,00			--
0089	VTVT19236		VITE TCEI 5X20 UNI 5931	1,00	12/2000		--
0090	VTRS15958		ROSETTA D. 5 X15 UNI 6593	1,00			--
0091	MPVR58544		SERBATOIO FT 200	1,00			--
0092	TBBP62474		TUBO CRISTALLO D.7X10	0,55	04/1998		--
0093	MPVR60611		SUPPORTO AVVOLGITUBO FT200	1,00			--
0094	VTVT63132		VITE TSPEI M 8X16 BRUNITA	4,00	02/1998		--
0095	MPVR60616		SUPPORTO LANCIA FT200	1,00			--
0096	LAFN59082		TRAVERSA FT200	1,00			--
0097	MEVR61833		CONTRODADO NYL PG 13.5 BK.	1,00	01/1998		--
0098	MEVR61879		PASSACAVO PG 13.5 SP.	1,00	02/1998		--
0099	LAFN58989		PIASTRINA SUPPORTO SKINTOP	1,00	04/1998		--
0100	VTVT17347		VITE TE M8X50 BRUN. UNI 5739	4,00	01/1998		--
0101	VTRS63243		ROSETTA D. 8 X24	12,00	12/2000		--
0102	MECF60282		GOMMINO D. 30 L=20.5 70SH A.VB.	4,00			--
0103	LAFN58901		DISTANZIALE G.D.12XD.9X15	4,00			--
0104	VTDD63177		DADO M 8 FLANGIATO	8,00	04/1998		--
0105	MPVR60553		PIEDINO GOMMA 20X20 AQ EPDR50	2,00	01/1998		--
0106	MPVR60528		PIASTRA PROT.SCAT.MICRO FT200	1,00	04/1998		--
0107	MECB64233		CAVO H07 RNF 4X1.5 L=5.500	1,00	11/1997		--
0127	MPVR60539		PIASTRINA WAP	1,00	07/2000		--
0128	MPVR60498		CORNICE WAP	1,00	07/2000		--
0129	VTVT62975		VITE AF TCB-TC 2,9X13 ZN	2,00	07/2000		--
0130	VTVT63064		VITE STEI G 1/4 X10 ZC.	1,00	10/2000		--

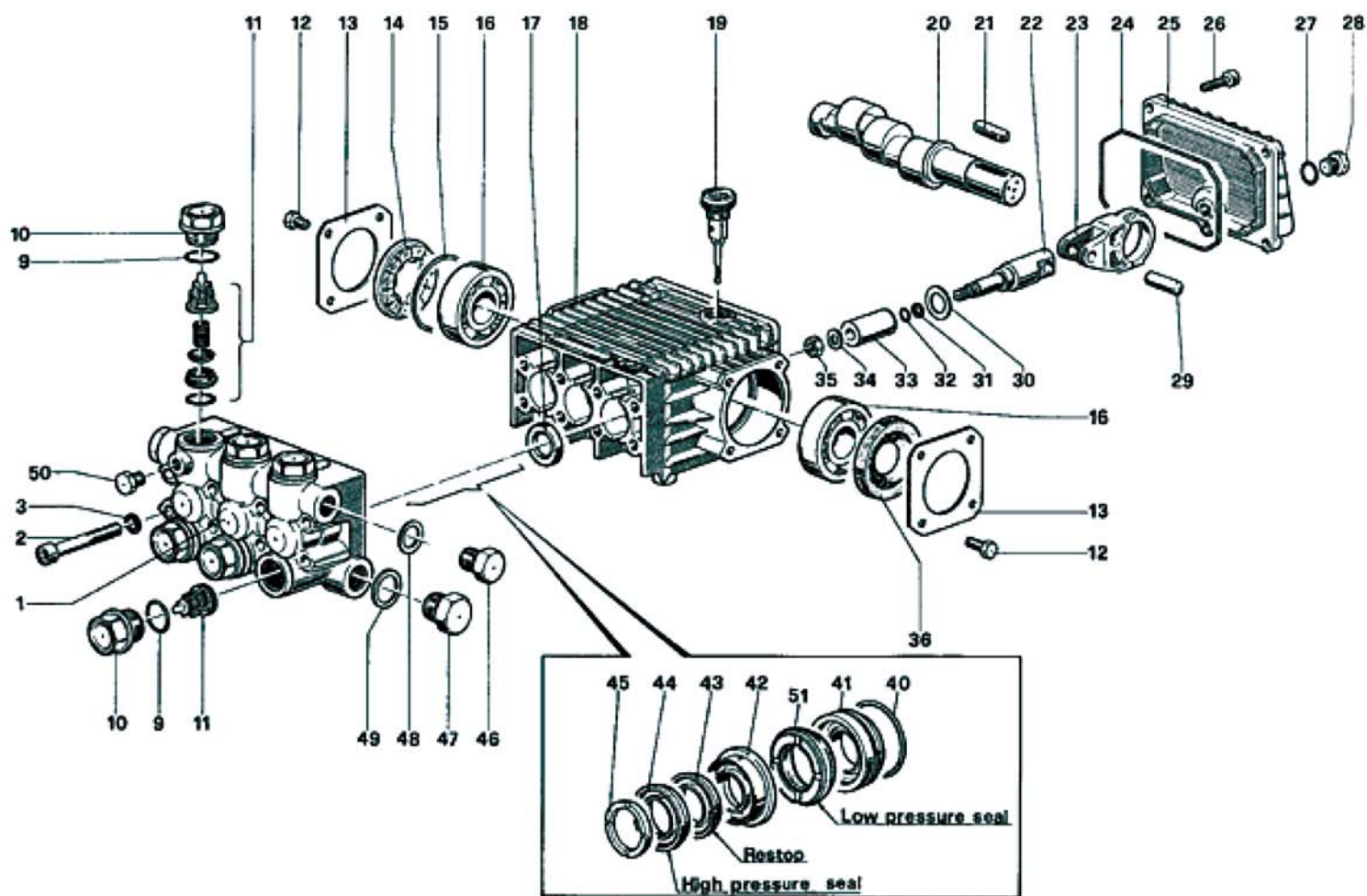


VARI0027-01

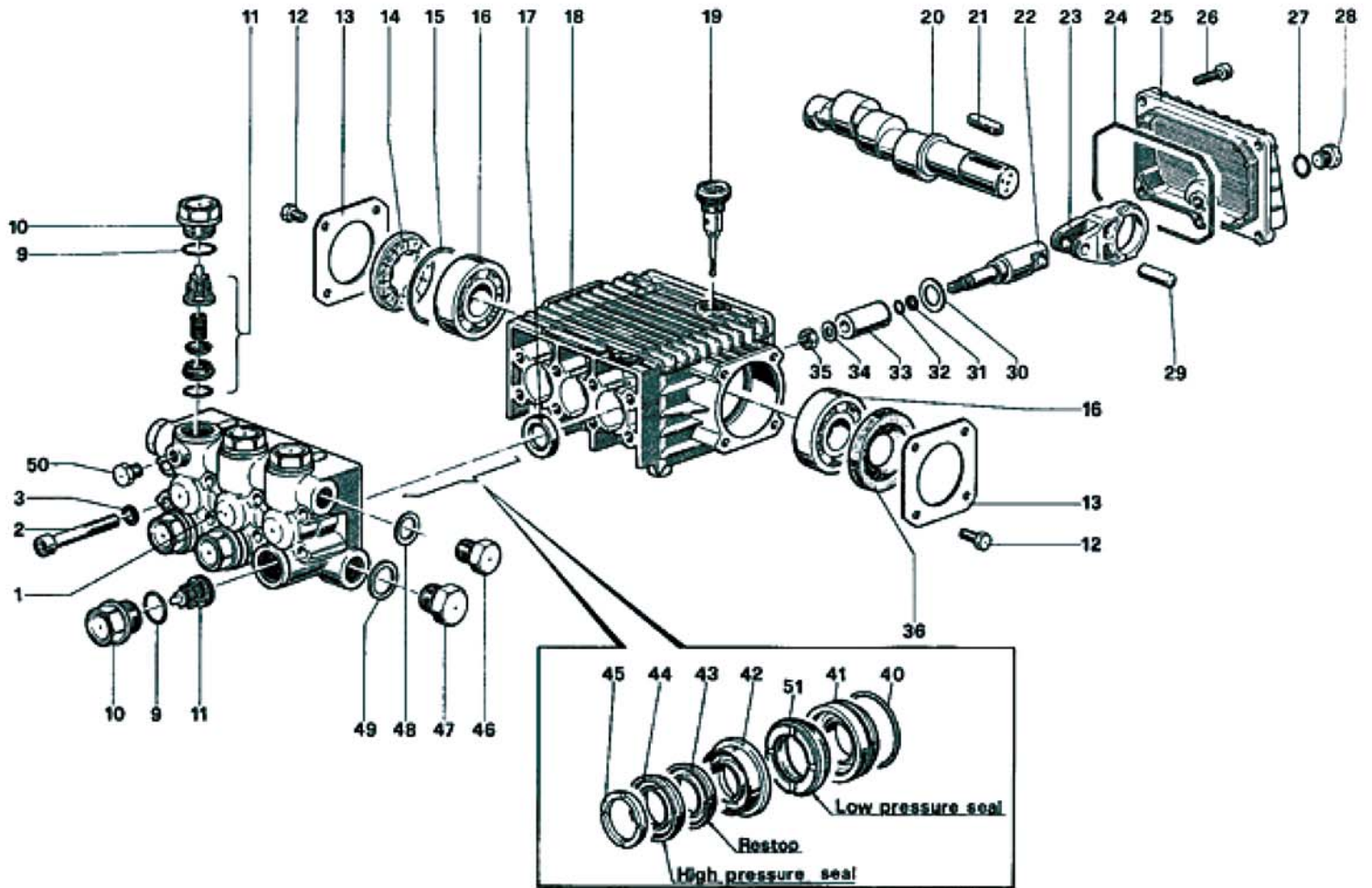
Ref. K	Part N.	Customer Part N.	Description	Qty	Validity:		Price
					From	To	
0001	UGLN02289		UGELLO 1/4 15045	1,00			--
0002	UGLN02505		UGELLO LANCIA SPS 1/4 4030 OTTONE	1,00			--
0003	LCLC82545		LANCIA DP 1/4 -M22	1,00			--
0004	IPPR52938		IMPUGNATURA AL5 +PR. M22	1,00			--
0005	TBAP53049		TUBO A.P. 5/16 250 BAR 8MT 3/8 F-F	1,00			--
0006	RCDS62596		NIPPLO 3/8 - 3/8 CN./CL.SV	1,00			--



Ref.	K	Part N.	Customer Part N.	Description	Qty	Validity:		Price
						From	To	
0001		MFVR31567		TESTATA "44" WW D.15	1,00			--
0002		VTVT01121		VITE TCEI 8X60 UNI5931	8,00			--
0003		VTRS01072		ROSETTA D. 8 TC	8,00			--
0009	S	GUGO19395		O-RING D. 20.24 X 2.62 NBR 70SH	6,00			--
0010	S	RCDS28466		TAPPO M24X1.5X17 "44"	6,00			--
0011	S	VVAM28467		GRUPPO VALVOLA "44" WW136-186	6,00			--
0012		VTVT01109		VITE TE 6X10 UNI5739	8,00			--
0013		MFVR03562		COPERCH. CARTERW 70	2,00			--
0014		MFVR28454		DISTANZIALE "44"	1,00			--
0015		GUGO01040		O-RING D. 55.56 X 3.53 NBR 70SH	1,00			--
0016		CUVR09654		CUSCIN.A SFERE 6305	2,00			--
0017	S	GUGO01001		ANELLO RADIALE 20X 30X 5 NBR70	3,00			--
0018		MFVR28453		CARTER POMPA "44"	1,00			--
0019		PVVR01089		TAPPO CAR.OLIO W 70	1,00			--
0020		ALMO28463		ALBERO "44" WW 156	1,00			--
0021		VTVR09510		CHIAVETTA 8X7X35	1,00			--
0022		PVVR28457		GUIDA PISTONE "44"	3,00			--
0023		BLVR28459		BIELLA "44"	3,00			--
0024		KTRI18659		KIT P 26-105	1,00			--
0025		MFVR28460		COPERCH. CARTER"44"	1,00			--
0026		VTVT01114		VITE TCEI 6X14 UNI 5931	5,00			--
0027		GUGO01036		O-RING D. 10.82 X 1.78 NBR 70SH	1,00			--
0028		RCDS01088		TAPPO 1/4X 9 M WW90	1,00			--
0029		PVVR28458		SPINOTTO D.10X29.5 "44"	3,00			--
0030		VTRS28456		ROSETTA D.16 X28 X1	3,00			--
0031		GUVR10257		ANELLO ANTIES. WW161	3,00			--
0032		GUGO01055		O-RING D. 5.28 X 1.78 VIT 70SH	3,00			--
0033		PIVR09319		PISTONE D.15 TURBO 14.160	3,00			--
0034		VTRS09321		ROSETTA D. 8X13X1	3,00			--
0034		VTRS46027		ROSETTA D. 8 C/CLL.	3,00	07/2002	07/2002	--
0035		VTDD04284		DADO M8X1,25 X13X5 S2 INX	3,00			--
0036		GUGO28465		ANELLO RADIALE 25X 62X10 NBR70	1,00			--
0040	S	GUGO01039		O-RING D. 31.47 X 1.78 NBR 70SH	3,00			--
0041	S	PVVR28505		ANELLO DI FONDOD. 15 "44"	3,00			--
0042	S	PVVR09326		ANELLO INTERM. D. 15 TURBO	3,00			--
0043	S	GUVR15117		ANELLO TENUTA D. 15 RESTOP	3,00			--
0044	S	GUVR09324		ANELLO TENUTA D. 15 TURBO	3,00			--
0045	S	PVVR09327		ANELLO DI TESTAD. 15	3,00			--
0046		RCDS01090		TAPPO 3/8X13 M WW90	1,00			--



Ref. K	Part N.	Customer Part N.	Description	Qty	Validity:		Price
					From	To	
0047	RCDS01091		TAPPO 1/2X10 M	1,00			--
0048	VTRS01074		ROSETTA D.17,05X22,3 X1,5	1,00			--
0049	VTRS01075		ROSETTA D.21,5X27 ALL	1,00			--
0050	RCDS09704		TAPPO G 1/8 KR	1,00			--
0051	S GUVR34582		ANELLO TENUTA D. 15 L.P.	3,00			--



Ref. Part N.	Cust. Part N.	Description	Reference	Price
KTRI18585		KIT P 23	0017	--
KTRI21658		KIT P 88	0043 0044 0051	--
KTRI21659		KIT P 89	0042	--
KTRI21660		KIT P 90	0045	--
KTRI28508		KIT P 15-123	0011	--
KTRI28510		KIT P 15-124	0009 0010	--
KTRI28512		KIT P 15-125	0040 0041	--
KTRI28522		KIT P 130	0040 0041 0042 0043 0044 0045 0051	--