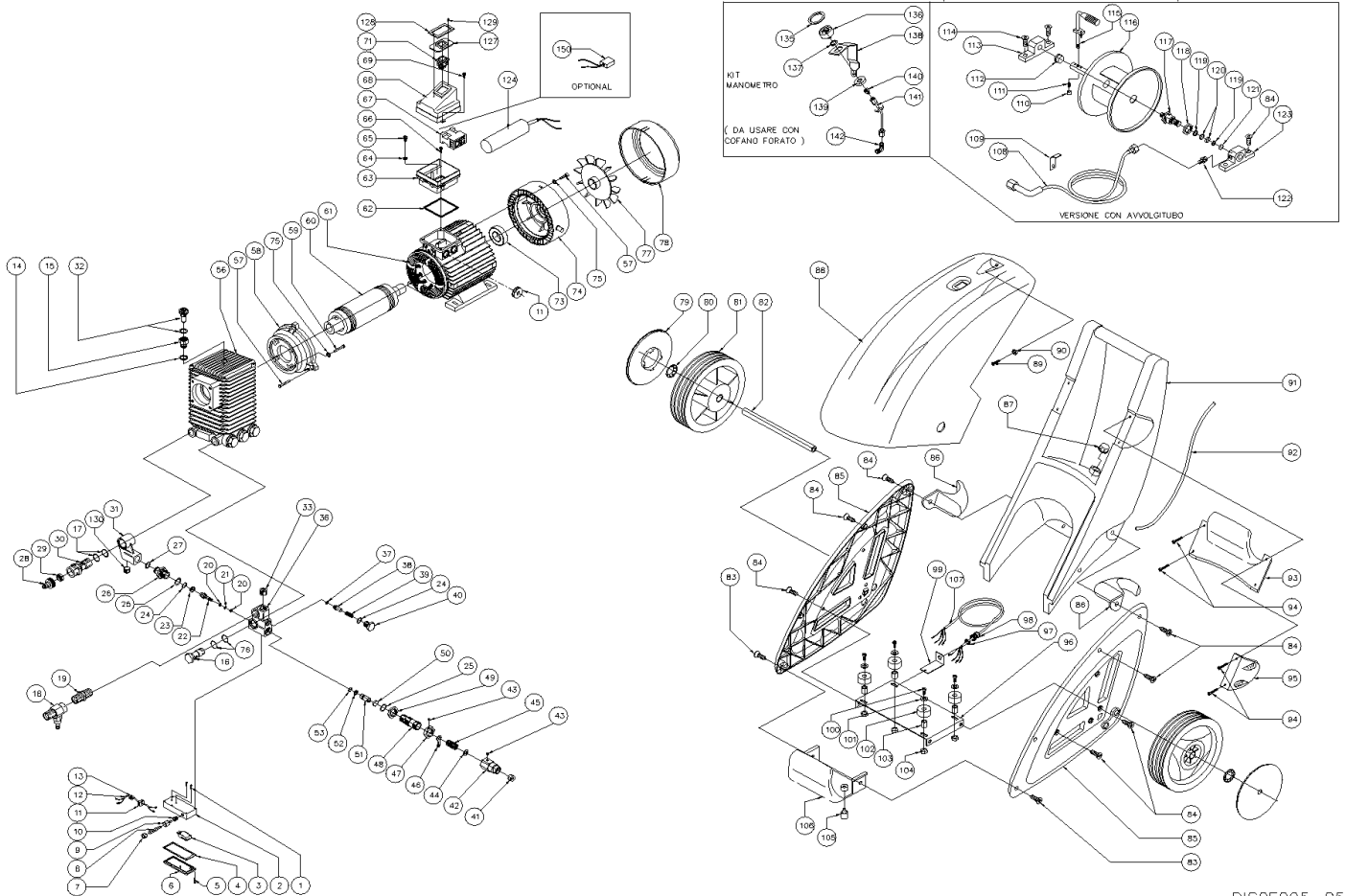


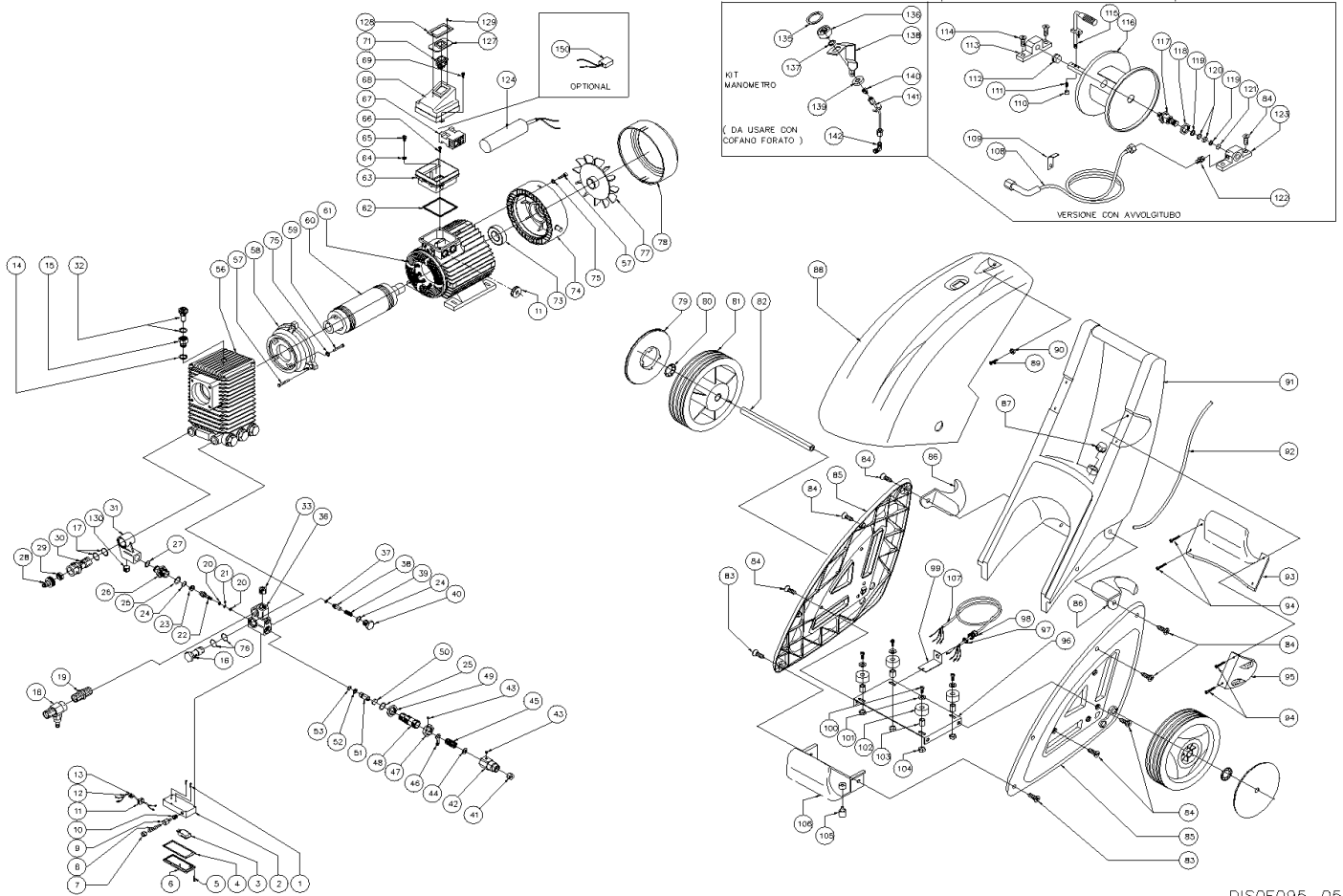


Por favor, al realizar un pedido de recambios, indique la referencia de la pieza,
la máquina a la que pertenece, el número de página del despiece y la posición.
Muchas gracias.



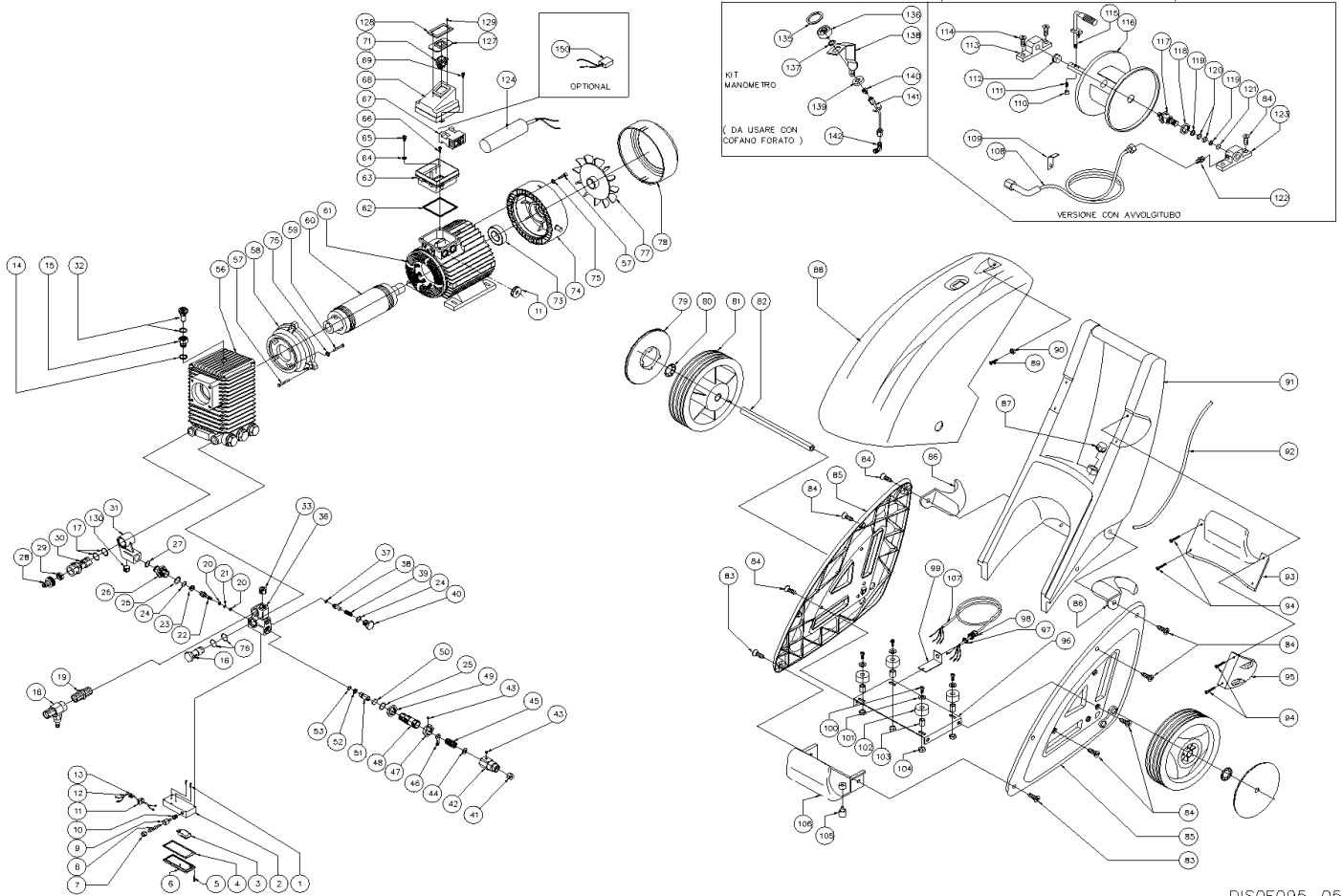
DISOF095-05

Ref.	K	Part N.	Customer Part N.	Description	Qty	Validity: From	To
0001		VTVT63123		VITE M 3X8 TSPCR ZN DIN 7987	2,00	10/2000	
0002		MPVR40209		COPERCHIO S.T-STOP S/2	1,00	10/2000	
0003		MECI80639		MICROINTERRUT. 20A F.S/L	1,00	10/2000	
0004		GUVR40208		GUARNIZIONE T-ST. S/2	1,00	10/2000	
0005		VTVT62945		VITE ATF UNI 7981 2,2X10ZN	5,00	10/2000	
0006		MICT60090		SCATOLA PORTA MICRO AQUA3300	1,00	10/2000	
0007		VTDD01678		DADO M 5 UNI 5588	1,00	10/2000	
0008		VTVT63056		VITE M 5X20 EI-ST UNI 5925	1,00	10/2000	
0009		MPVR60267		SPINOTTO MICRO VALV.TK	1,00	10/2000	
0010		MPVR41620		SOFFIETTO S.T-STOP FP	1,00	10/2000	
0011		MPVR60519		PASSACAPO 20/28 H11/S4	1,00	10/2000	
0012		MPVR40207		PASSACAPO COND.D.5.5 55 SHORE	1,00	10/2000	
0013		MECB64221		CAVO 2X1,5 L=770 TS	1,00	10/2000	
0014		VTRS63211		RONDELLA 19X13X1.5 GMM	1,00	02/2001	
0015		RCDS81940		PROLUNGA SFIATO OLIO 3/8-1/4 S"44"	1,00	02/2001	
0016		RCDS59233		VITE CAVA G3/8 X VALV.	1,00		
0017		GUGO01048		O-RING D. 15.88 X 2.62 NBR 70SH	2,00		
0018		EIDT64147		INIETTORE DETERG. 3/8 D.2,3	1,00		
0019		RCDS62601		NIPPLO ATT. INIETT. VALV.	1,00		
0020		GUVR63579		ANELLO ANTIES. 7X4,1X1,5 OR2015	2,00	10/2000	
0021		GUGO63485		O-RING D. 4 X 2 NBR 70SH	1,00	10/2000	
0022		PVVR59212		VALVOLA CHIUSURA BY PASS	1,00	10/2000	
0023		PVVR59203		SEDE VALVOLA REG0LAZ.PRESSIONE	1,00	10/2000	
0024		GUGO01036		O-RING D. 10.82 X 1.78 NBR 70SH	2,00	10/2000	
0025		GUGO63448		O-RING D. 13.95 X 2.62 NBR 90SH	2,00	10/2000	
0026		RCDS59636		NIPPLO INF. VALVOLA	1,00	10/2000	
0027		GUGO63445		O-RING D. 10.78 X 2.62 NBR 70SH	1,00	10/2000	
0028		RCVR62752		PRESA 3433 BK.	1,00	04/1998	
0029		LAFN58908		FILTRO ASPIRAZ.INDY	1,00		
0030		RCVR62843		RACCORDO ASPIR.G3/4 VALVOLA REG.	1,00		
0031		MFVR58351		RACCORDO BY-PASS	1,00	10/2000	
0032		PVVR82225		TAPPO CAR.OLIO W 1513 TAGLIATO	1,00	02/2001	
0033		RCDS59684		TAPPO G 3/8 CON.	1,00	10/2000	
0036		PVVR59461		CORPO VALVOLA C/FORO G3/8 SX	1,00	10/2000	
0037		GUGO63460		O-RING D. 4.30 X 2.4 NBR 90SH	1,00	10/2000	
0038		VVSF59764		VALVOLA N.RIT.	1,00	10/2000	
0039		MLML59294		MOLLA VALV. NON RIT.	1,00	10/2000	
0040		RCDS59227		TAPPO VALVOLA NON RITORNO	1,00	10/2000	
0041		PVVR59564		GRANO REG.MOLLA VALVOLA OT	1,00	10/2000	



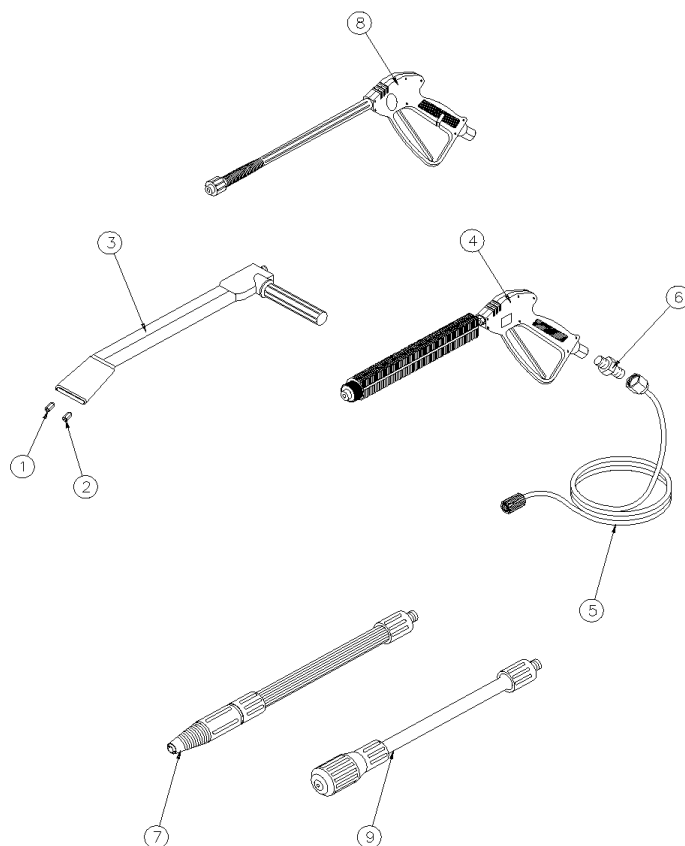
DISOF095-05

Ref.	K	Part N.	Customer Part N.	Description	Qty	Validity: From	To
0042		RCDS59626		MANICOTTO REG.PRESS.CON FERMO	1,00	10/2000	
0043		VTVT63069		VITE M 3X 6 EI-ST UNI5923 BR.	2,00	10/2000	
0044		VTRS63270		RONDELLA TRANCIATA X VALV.INOX	1,00	10/2000	
0045		MLML59268		MOLLA REGOL.PRESS.X VALV.	1,00	10/2000	
0046		LAFN58930		PALETTA AZ.MICRO AQUA3300 ZN.T	1,00	10/2000	
0047		RCVR59740		CONTRODADO X VALVOLA CON FERMO	1,00	10/2000	
0048		RCDS59643		NIPPLO SUP.C/F VALV.R PRES.	1,00	10/2000	
0049		RCVR59739		CONTRODADO X VALVOLA	1,00	10/2000	
0050		PVVR59107		PIATTELLO MOLLA X VALVOLA INOX	1,00	10/2000	
0051		PVVR59175		PISTONCINO AP.BY-PASS X VALV.	1,00	10/2000	
0052		GUVR63584		ANELLO ANTIES. 11X8,1X1,5-OR 2031	1,00	10/2000	
0053		GUGO06772		O-RING D. 7 X 2 NBR 70SH	1,00	10/2000	
0056		PPAP33594		POMPA "44" W 112 DX	1,00		
0057		VTVT62921		VITE TE M 6X 25 F/RD.ZN	8,00	04/2000	
0058		MFVR57983		FLANGIA MEC 100 IP	1,00		
0059		VTVT12255		VITE TCEI 6X25 UNI5931	4,00	04/2000	
0060		MORT81160		ROTORE M.EL. CPL 90X33 H135 IP44 UNI	1,00	06/2000	
0061		MOST80707		STATORE MOT.EL.152X90H135 230/50 T	1,00	04/2000	
0062		GUVR63638		GUARNIZIONE BASET.MOTORE SP.2	1,00	02/2001	
0063		MPVR81806		BASE SUPPORTO SC.EL. FT200 M100 TST	1,00	04/2001	
0064		VTRS63310		ROSETTA D. 4	1,00	02/2001	
0065		VTVT14839		VITE M 4X 6 TCB TC DIN 7985	1,00	02/2001	
0066		VTVT09682		VITE TPS-TC 5X12 UNI7688	4,00	02/2001	
0068		MPVR80674		COPERCHIO SC.EL. FT200 S2	1,00	02/2001	
0069		VTVT62983		VITE ATF TC CROCE M3,9X19 BRU	2,00	02/2001	
0071		MECI81105		INTERRUTTORE SLX 16A 250V 0-1 8212 BI	1,00	02/2001	
0073		CUVR53299		CUSCIN.A SFERE 6206-2RS 30X62X16	1,00	04/2000	
0074		MFVR58021		SCUDO MEC 100 LV.	1,00	04/2000	
0075		VTRS63305		ROSETTA D. 6.4 SCHNORR ZC.	4,00	04/2000	
0076		GUGO01942		O-RING D. 20.63 X 2.62 NBR 70SH	2,00		
0077		VEVR61015		VENTOLA MOTORE MEC 100 VTG-100	1,00	04/2000	
0078		LAFN62031		COPRIVENTOLA MEC 100 L	1,00	04/2000	
0079		MPVR60917		COPRIMOZZO SPI 2 D.250 BK	2,00	01/1998	
0080		VTRS28558		ROSETTA D.20	2,00	06/2001	
0081		RTRT60891		RUOTA FISSA D.250X50 D.20 SPI 2	2,00		
0082		LAFN62390		ASSE RUOTE FT200	1,00		
0083		VTVT63136		VITE M 8X30 TSPEI ZN	2,00	04/1998	
0084		VTVT63134		VITE M 8X25 TSPEI ZN	10,00	01/1998	
0085		MFVR58365		TELAIO CARRELLO FT200	2,00	01/1998	



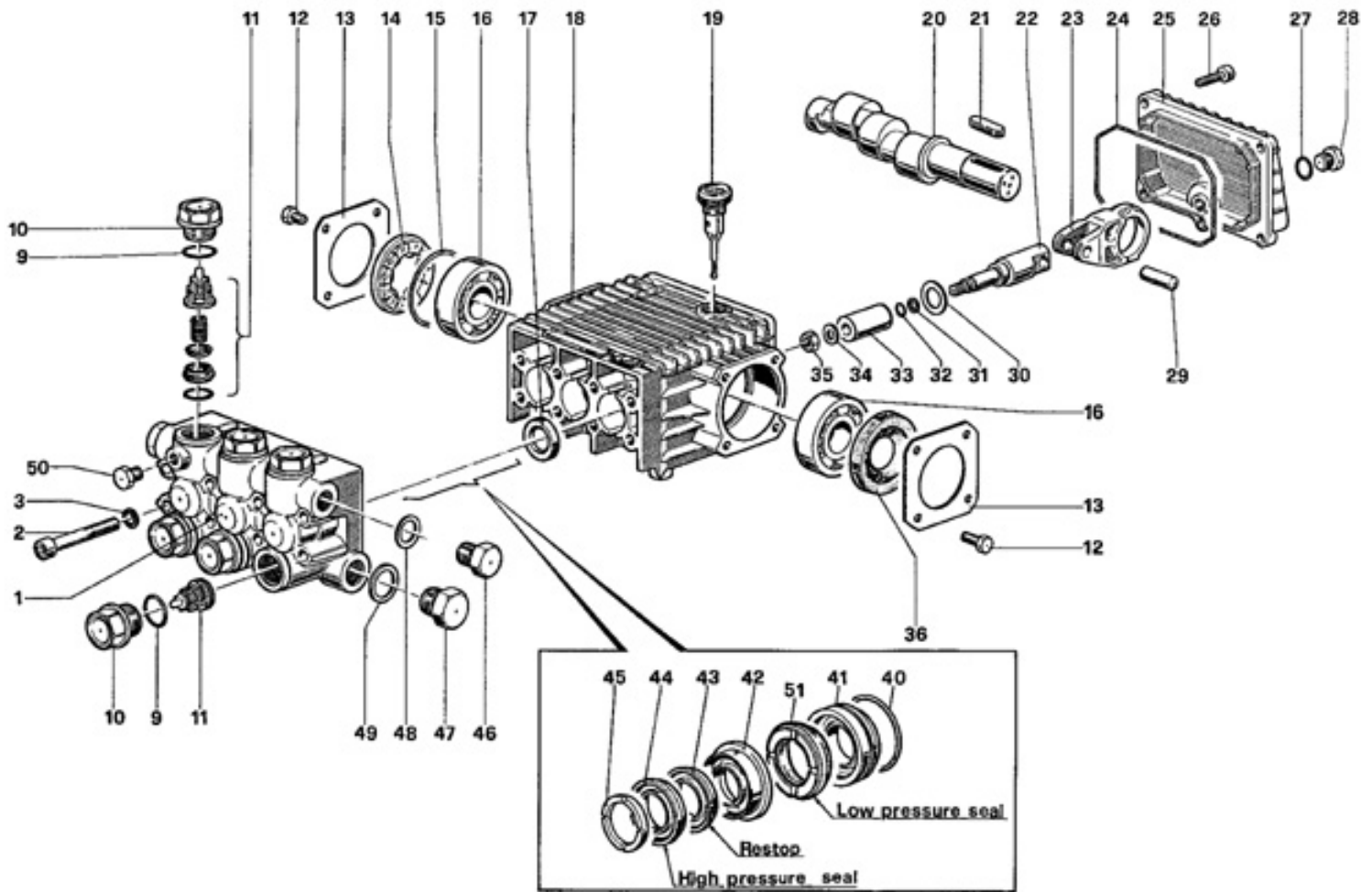
DISOF095-05

Ref.	K	Part N.	Customer Part N.	Description	Qty	Validity: From To
0086		LAFN58986		PIASTRINA AVVOLGICAVO FT200	2,00	04/1998
0087		MPVR60848		TAPPO SERBATOIO 1-1/4F	1,00	
0088		MPVR83113		COPERTURA GIAL.FT200 INZ. F/MAN	1,00	
0089		VTVT19236		VITE TCEI 5X20 UNI 5931	1,00	12/2000
0090		VTRS15958		ROSETTA D. 5 X15 UNI 6593	1,00	
0091		MPVR58544		SERBATOIO FT 200	1,00	
0092		TBBP62474		TUBO CRISTALLO D.7X10	0,55	04/1998
0093		MPVR60611		SUPPORTO AVVOLGITUBO FT200	1,00	
0094		VTVT63132		VITE TSPEI M 8X16 BRUNITA	4,00	02/1998
0095		MPVR60616		SUPPORTO LANCIA FT200	1,00	
0096		LAFN59082		TRAVERSA FT200	1,00	
0097		MEVR61833		CONTRODADO NYL PG 13.5 BK.	1,00	01/1998
0098		MEVR61879		PASSACAVO PG 13.5 SP.	1,00	02/1998
0099		LAFN58989		PIASTRINA SUPPORTO SKINTOP	1,00	04/1998
0100		VTVT17347		VITE TE M 8X 50 N.ZINC.	4,00	01/1998
0101		VTRS63243		ROSETTA D. 8 X24	12,00	12/2000
0102		MECF60282		GOMMINO D. 30 L=20.5 70SH A.VB.	4,00	
0103		LAFN58901		DISTANZIALE G.D.12XD.9X15	4,00	
0104		VTDD63177		DADO M 8 FLANGIATO	8,00	04/1998
0105		MPVR60553		PIEDINO GOMMA 20X20 AQ EPDR50	2,00	01/1998
0106		MPVR60528		PIASTRA PROT.SCAT.MICRO FT200	1,00	04/1998
0107		MECB81327		CAVO H07 RNF 3X1.5 MT 5.5 S2	1,00	08/2000
0124		MECO61716		CONDENSATORE 50 MF 400/450V	1,00	07/1998
0127		MPVR60539		PIASTRINA WAP	1,00	02/2001
0128		MPVR60498		CORNICE WAP	1,00	02/2001
0129		VTVT62975		VITE AF TCB-TC 2,9X13 ZN	2,00	02/2001
0130		VTVT63064		VITE STEI G 1/4 X10 ZC.	1,00	10/2000
0135		GUVR60278		ANELLO MAN.HOBBY	1,00	
0136		MNMN18650		MANOMETRO 0-300 D.40	1,00	
0137		VTRS63213		RONDELLA 23X15X1,5 ZIN. AX 120	1,00	
0138		LAFN81517		STAFFA MANOMETRO FT	1,00	
0139		MPVR60516		PASSACAVO PASSACAVO 10/18/22X4 PROF	1,00	
0140		RCVR81855		RIDUZIONE 1/4M CIL.X 1/8F AVP	1,00	
0141		TBAP62499		TUBO POLIAMMIDEL=380 1/4 F-F	1,00	
0142		RCVR62671		RACCORDO GOMITO3/8M-1/4M	1,00	

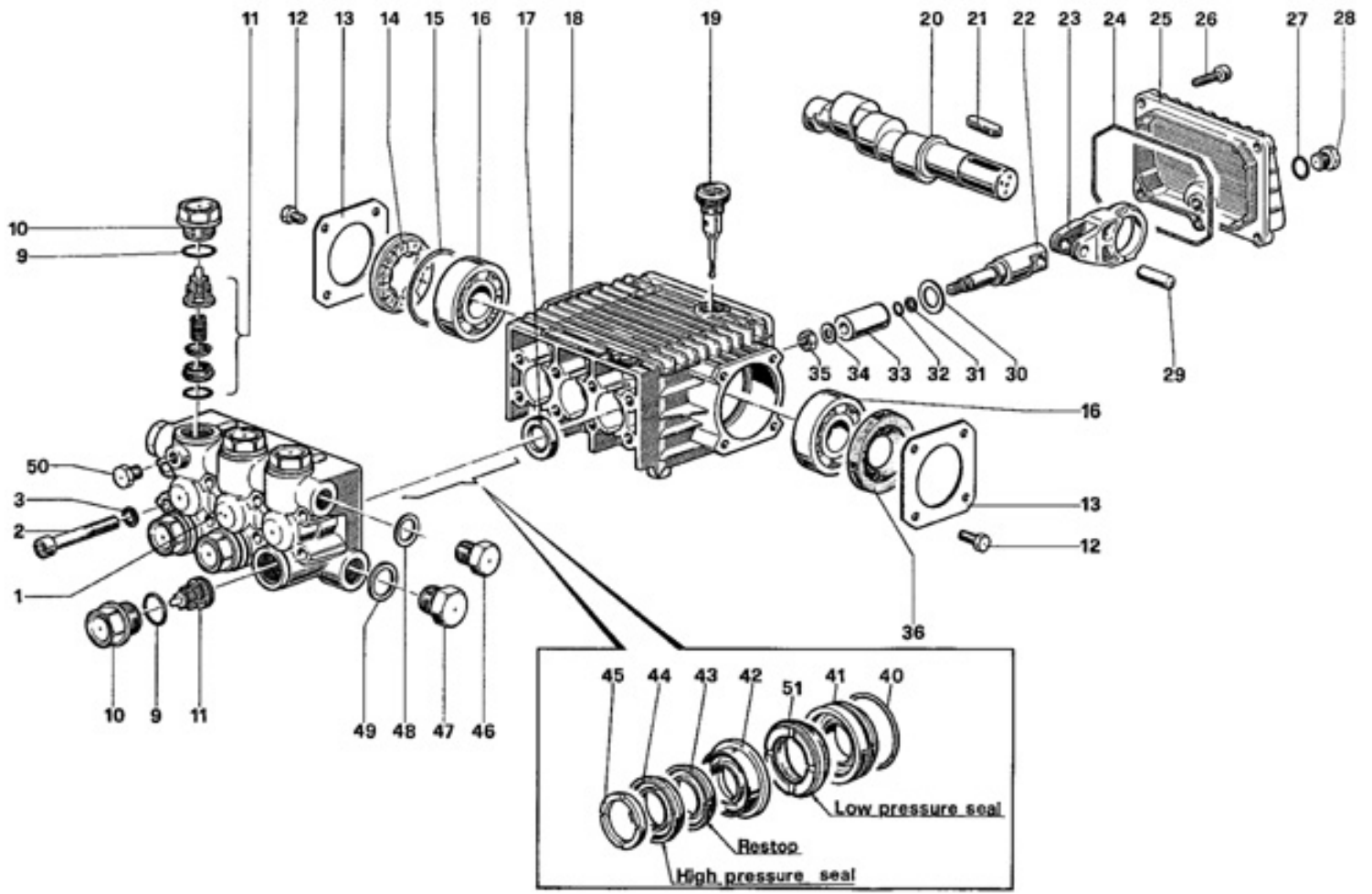


VARI0027-01

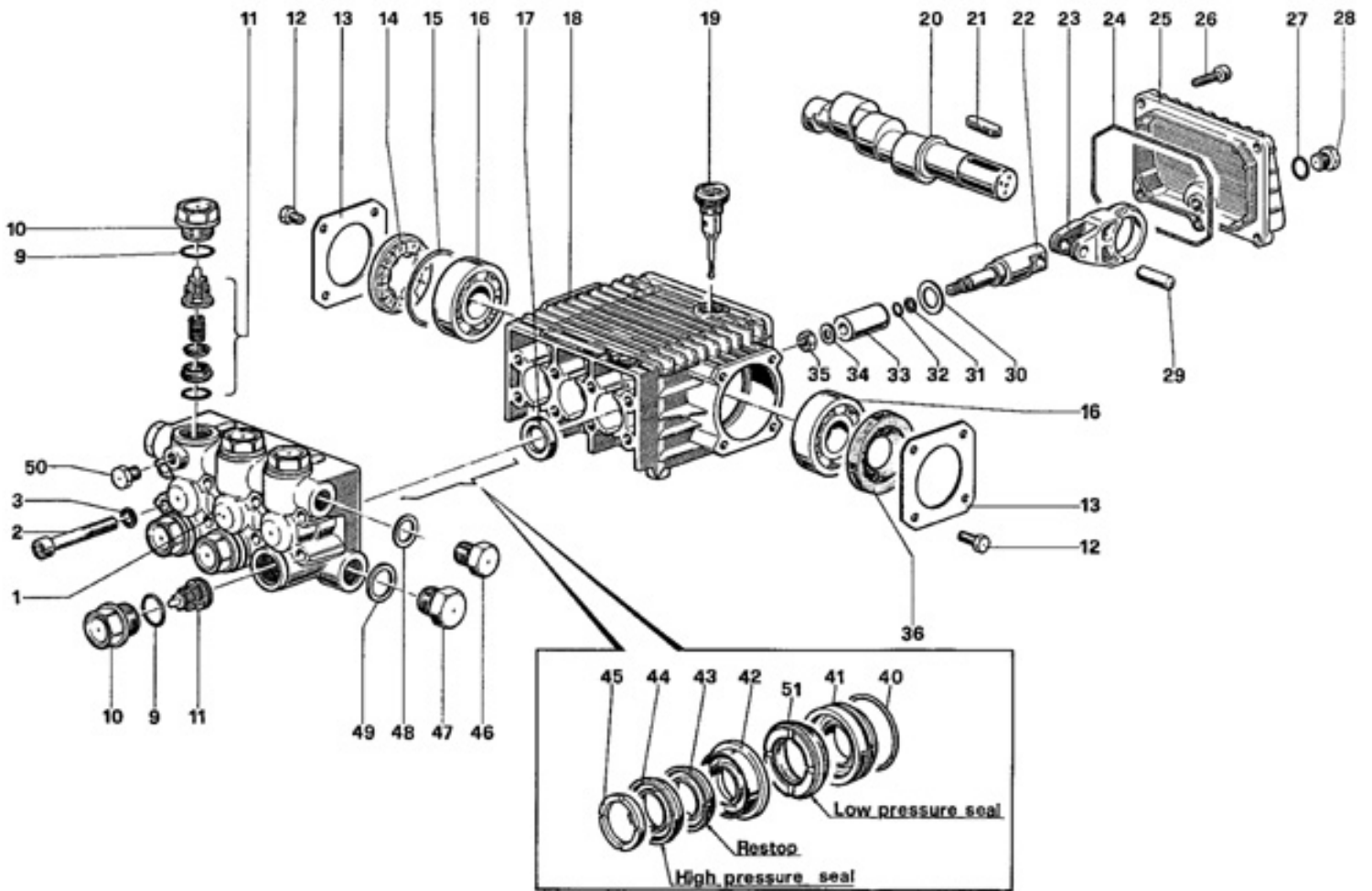
Ref. K	Part N.	Customer Part N.	Description	Qty	Validity:	
					From	To
0001	UGLN02291		UGELLO 1/4 1505	1,00		
0002	UGLN02505		UGELLO LANCIA SPS 1/4 4030 OTTONE	1,00		
0003	LCLC82545		LANCIA DP 1/4 -M22	1,00		
0005	TBAP52994		TUBO A.P. 1/4 150 BAR 8MT	1,00		
0006	RCDS62596		NIPPLO 3/8 - 3/8 CN./CL.SV	1,00		
0008	IPPR82544		IMPUGNATURA SK1 3/8F C/PROL. M 22	1,00		



Ref.	K	Part N.	Customer Part N.	Description	Qty	Validity:	
						From	To
0001		MFVR35540		TESTATA "44" WW D.18 OT	1,00		
0002		VTVT01121		VITE TCEI 8X60 UNI5931	8,00		
0003		VTRS01072		ROSETTA D. 8 TC	8,00		
0009	S	GUGO19395		O-RING D. 20.24 X 2.62 NBR 70SH	6,00		
0010	S	RCDS28466		TAPPO M24X1.5X17 "44"	6,00		
0011	S	VVAM28467		GRUPPO VALVOLA "44" WW136-186	6,00		
0012		VTVT01109		VITE TE 6X10 UNI5739	8,00		
0013		MFVR03562		COPERCH. CARTERW 70	2,00		
0014		MFVR28454		DISTANZIALE "44"	1,00		
0015		GUGO01040		O-RING D. 55.56 X 3.53 NBR 70SH	1,00		
0016		CUVR09654		CUSCIN.A SFERE 6305	2,00		
0017	S	GUGO01001		ANELLO RADIALE 20X 30X 5 NBR70	3,00		
0018		MFVR28453		CARTER POMPA "44"	1,00		
0019		PVVR01089		TAPPO CAR.OLIO W 70	1,00		
0020		ALMO28463		ALBERO "44" WW 156	1,00		
0021		VTVR09510		CHIAVETTA 8X7X35	1,00		
0022		PVVR28457		GUIDA PISTONE "44"	3,00		
0023		BLVR28459		BIELLA "44"	3,00		
0024		GUGO18695		O-RING D. 101.27 X 2.62 NBR 70SH	1,00		
0025		MFVR28460		COPERCH. CARTER"44"	1,00		
0026		VTVT01114		VITE TCEI 6X14 UNI 5931	5,00		
0027		GUGO01036		O-RING D. 10.82 X 1.78 NBR 70SH	1,00		
0028		RCDS01088		TAPPO 1/4X 9 M WW90	1,00		
0029		PVVR28458		SPINOTTO D.10X29.5 "44"	3,00		
0030		VTRS28456		ROSETTA D.16 X28 X1	3,00		
0031		GUVR10257		ANELLO ANTIES. WW161	3,00		
0032		GUGO01055		O-RING D. 5.28 X 1.78 VIT 70SH	3,00		
0033		PIVR28455		PISTONE D.18 "44"	3,00		
0034		VTRS09321		ROSETTA D. 8X13X1	3,00		
0035		VTDD04284		DADO M8X1.25X12X3,5 S2	3,00		
0036		GUGO28465		ANELLO RADIALE 25X 62X10 NBR70	1,00		
0040	S	GUGO01039		O-RING D. 31.47 X 1.78 NBR 70SH	3,00		
0041	S	PVVR28506		ANELLO DI FONDOD. 18 "44"	3,00		
0042	S	PVVR28504		ANELLO INTERM. D. 18 "44"	3,00		
0043	S	GUVR28503		ANELLO TENUTA D. 18 RESTOP	3,00		
0044	S	GUVR28502		ANELLO TENUTA D. 18	3,00		
0045	S	PVVR28501		ANELLO DI TESTAD. 18 "44"	3,00		
0046		RCDS01090		TAPPO 3/8X13 M WW90	1,00		
0047		RCDS01091		TAPPO 1/2X10 M	1,00		



Ref. K	Part N.	Customer Part N.	Description	Qty	Validity:	
					From	To
0048	VTRS01074		ROSETTA D.17,5X23 X1,5	1,00		
0049	VTRS01075		ROSETTA D.21,5X27 ALL	1,00		
0050	RCDS09704		TAPPO G 1/8 KR	1,00		
0051	S GUVR34583		ANELLO TENUTA D. 18 L.P.	3,00		



Ref. Part N.	Cust. Part N.	Description	Reference
KTRI18585	KIT P	23	0017
KTRI28508	KIT P	15-123	0011
KTRI28510	KIT P	15-124	0009 0010
KTRI28514	KIT P	15-126	0040 0041
KTRI28516	KIT P	127	0043 0044 0051
KTRI28518	KIT P	128	0042
KTRI28520	KIT P	129	0045
KTRI28524	KIT P	131	0040 0041 0042 0043 0044 0045 0051