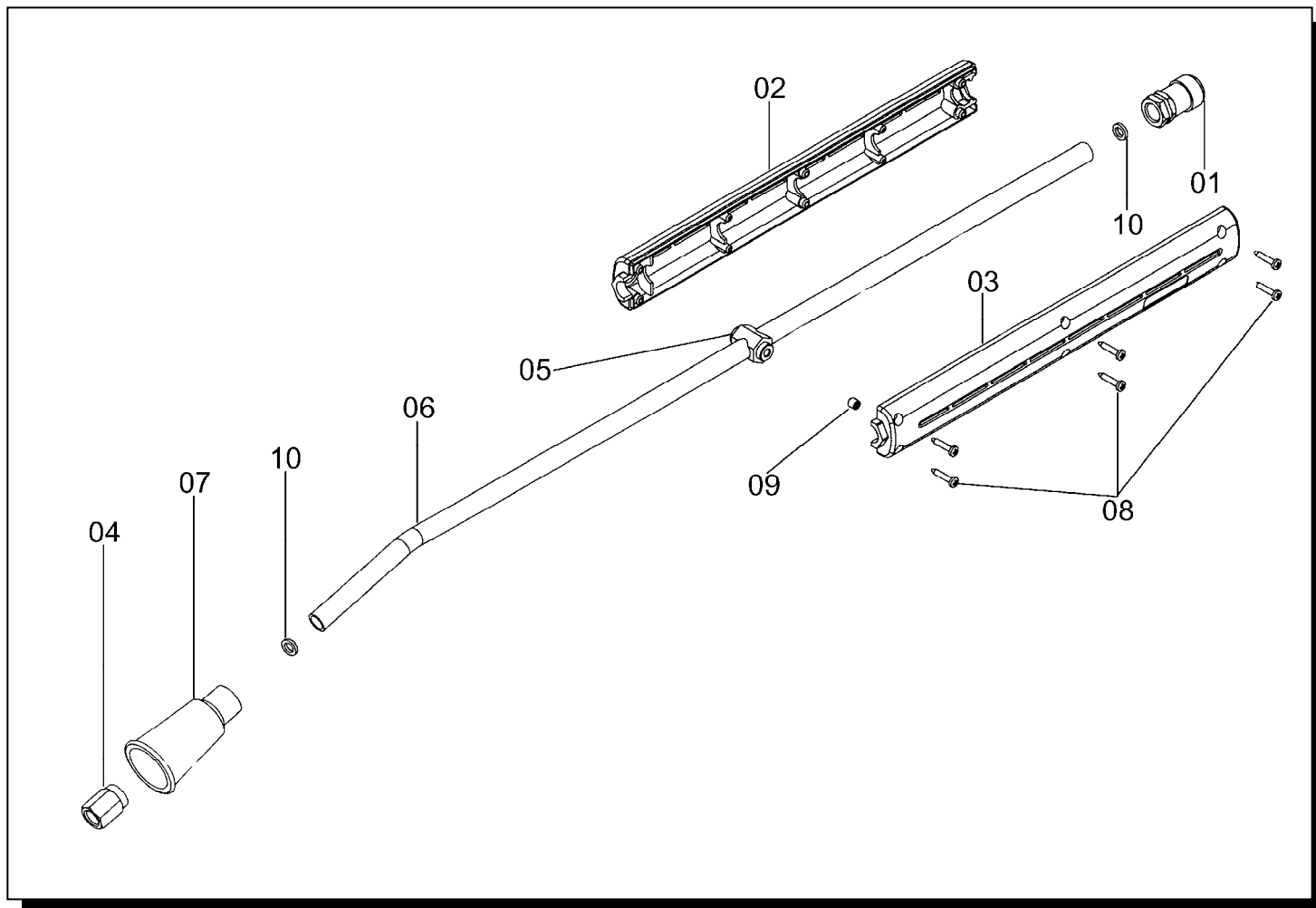


Pos.	Cod.	Descrizione	Description	Descripción	N°
01	4.023.04.005	Passacavo	Cable protection	Proteccion cable	1
02	1.001.44.002	Raccordo 4 vie	4 way connection	Racor 4 via	1
03	4.008.14.004	Rondella rame	Copper washer	Arandela	1
04	3.040.04.002	Accumulatore	Accumulator	Accumulador	1
05	4.020.14.002	Manometro	Pressure gauge	Manometro	1
06	1.125.04.003	Copertura	Cover	Bastidor	1
07	4.018.04.008	Interruttore	Switch	Interruptoor	1
08	2.022.04.011	Basamento	Basement	Basamiento	1
09	1.081.02.001	Forcella pressostato	Pressure gauge fork	Horquilla presostato	1
10	4.012.04.003	Raccordo rapido	Quick connection	Racor rapido	2
11	1.001.04.031	Raccordo	Connection	Racor	1
12	3.032.02.004	Filtro acqua	Water filter	Filtro agua	1
13a	2.031.04.138	Quadro elettrico KSF3000/KSF3025	Switchboard KSF3000/KSF3025	Panel mandos KSF3000/KSF3025	1
13b	2.031.04.139	Quadro elettrico KSF3050/KSF4000/KSF4050	Switchboard KSF3050/KSF4000/KSF4050	Panel mandos KSF3050/KSF4000/KSF4050	1
13c	2.031.04.140	Quadro elettrico KSF5000	Switchboard KSF5000	Panel mandos KSF5000	1
13d	2.031.04.141	Quadro elettrico KSF5025/KSF5050/KSF6000	Switchboard KSF5025/KSF5050/KSF6000	Panel mandos KSF5025/KSF5050/KSF6000	1
14	4.026.04.004	Pressacavo	Cableholder	Prensacable	1
15a	2.037.04.008	Serbatoio acqua KSF3000IP/KSF3025IP/KSF3050IP/KSF4000/KSF4050/KSF5000/KSF5025/KSF5050H	Water tank KSF3000IP/KSF3025IP/KSF3050IP/KSF4000/KSF4050/KSF5000/KSF5025/KSF5050H	Tanque agua KSF3000IP/KSF3025IP/KSF3050IP/KSF4000/KSF4050/KSF5000/KSF5025/KSF5050H	1
15b	2.037.04.009	Serbatoio acqua KSF5050IP/KSF6000	Water tank KSF5050IP/KSF6000	Tanqua agua KSF5050IP/KSF6000	1
15c	2.037.04.010	Serbatoio acqua KSF3000H/KSF3025H/KSF3050H	Water tank KSF3000H/KSF3025H/KSF3050H	Tanqua agua KSF3000H/KSF3025H/KSF3050H	1
16	1.044.44.012	Tubo aspirazione detergente	Detergent suction tube	Tubo aspiracion detergente	1
17	4.002.44.018	Vite M10x35	M10x35 screw	Tornillo M10x35	4
18	4.008.54.003	Rondella grower	Grower washer	Arandela grower	4
19	4.008.04.004	Rondella	Washer	Arandela	4
20	1.011.04.047	Supporto antivibrante	Antivibration support	Soporte antivibracion	4

Pos.	Cod.	Descrizione	Description	Descripción	N°
21	9.023.24.003	Valvola detergente (optional)	Detergent valve (optional)	Válvula detergente (optional)	1
22	2.006.24.006	Tubo manometro	Pessure gauge tube	Tubo manometro	1
23	1.089.04.003	Staffa manometro	Pressure gauge bracket	Brida manometro	1
24	4.004.32.002	Grano	Grub screw	Grano	2
25	1.001.04.030	Raccordo	Connection	Racor	1
26	1.003.04.006	Rondella	Washer	Arandela	2
27	4.002.12.011	Vite M6x18	M6x18 screw	Tornillo M6x18	4
28	4.008.02.001	Rondella	Washer	Arandela	4
29	4.070.04.001	Rondella 3/8"G	3/8"G washer	Arandela 3/8"G	3
30	2.003.34.014	Valvola VBR	VBR valve	Válvula VBR	1
31	3.003.22.005	Valvola di sicurezza	Safety valve	Válvula de seguridad	1
32	2.033.02.002	Portagomma	Tube holder	Portamanguera	1
33	4.012.04.002	Raccordo	Union	Racor	1
34	1.019.04.006	Raccordo	Union	Racor	1
35	2.006.24.056	Tubo accumulatore	Accumulator tube	Tubo acumulador	1
36a	3.006.12.082	Motopompa KSF3000 "Hawk"	Motorpump KSF3000 "Hawk"	Motobomba KSF3000 "Hawk"	1
36b	3.006.12.063	Motopompa KSF3025 "Hawk"	Motorpump KSF3025 "Hawk"	Motobomba KSF3025 "Hawk"	1
36c	3.006.12.083	Motopompa KSF3050 "Hawk"	Motorpump KSF3050 "Hawk"	Motobomba KSF3050 "Hawk"	1
36d	3.006.12.059	Motopompa KSF4000 "Hawk"	Motorpump KSF4000 "Hawk"	Motobomba KSF4000 "Hawk"	1
36e	3.006.12.062	Motopompa KSF4050 "Hawk"	Motorpump KSF4050 "Hawk"	Motobomba KSF4050 "Hawk"	1
36f	3.006.12.054	Motopompa KSF5000 "Hawk"	Motorpump KSF5000 "Hawk"	Motobomba KSF5000 "Hawk"	1
36g	3.006.12.070	Motopompa KSF5025 "Hawk"	Motorpump KSF5025 "Hawk"	Motobomba KSF5025 "Hawk"	1
36h	3.006.12.057	Motopompa KSF5050 "Hawk"	Motorpump KSF5050 "Hawk"	Motobomba KSF5050 "Hawk"	1
36i	3.006.12.048	Motopompa KSF3000 "Interpump"	Motorpump KSF3000 "Interpump"	Motobomba KSF3000 "Interpump"	1
36j	3.006.12.064	Motopompa KSF3025 "Interpump"	Motorpump KSF3025 "Interpump"	Motobomba KSF3025 "Interpump"	1
36k	3.006.12.084	Motopompa KSF3050 "Interpump"	Motorpump KSF3050 "Interpump"	Motobomba KSF3050 "Interpump"	1
36l	3.006.12.067	Motopompa KSF4000 "Interpump"	Motorpump KSF4000 "Interpump"	Motobomba KSF4000 "Interpump"	1
36m	3.006.12.065	Motopompa KSF4050 "Interpump"	Motorpump KSF4050 "Interpump"	Motobomba KSF4050 "Interpump"	1
36n	3.006.12.055	Motopompa KSF5000 "Interpump"	Motorpump KSF5000 "Interpump"	Motobomba KSF5000 "Interpump"	1
36o	3.006.12.066	Motopompa KSF5050 "Interpump"	Motorpump KSF5050 "Interpump"	Motobomba KSF5050 "Interpump"	1
36p	3.006.12.053	Motopompa KSF6000 "Interpump"	Motorpump KSF6000 "Interpump"	Motobomba KSF6000 "Interpump"	1
37	1.012.14.003	Tappo 3/8"G	3/8" g plug	Tapa 3/8" g	1
38	2.006.04.029	Tubo by-pass	By-pass tube	Tubo by-pass	1
39	1.096.04.001	Niples	Niples	Niples	2
40	4.012.04.012	Raccordo curvo	Connection	Racor curvo	1
41a	1.025.22.003	Molla KSF3000/KSF3025/KSF3050	Spring KSF3000/KSF3025/KSF3050	Muelle KSF3000/KSF3025/KSF3050	1
41b	1.025.22.002	Molla KSF4000/KSF4050	Spring KSF4000/KSF4050	Muelle KSF4000/KSF4050	1
41c	1.025.22.001	Molla KSF5000/KSF5025/KSF6000	Spring KSF5000/KSF5025/KSF6000	Muelle KSF5000/KSF5025/KSF6000	1
42	1.025.12.010	Molla pressostato	Pressure gauge spring	Muelle presostato	1
43	4.008.02.002	Rondella pressostato	Perssure gauge washer	Arandola presostato	1
44	4.005.22.003	OR pressostato	Pressure gauge O-Ring	OR presostato	1
45	2.074.04.040	Tubo mandata pompa	Pump intake tube	Tubo entrata bomba	1
46a	1.001.24.016	Raccordo KSF5050IP/KSF6000	Connection KSF5050IP/KSF6000	Racor KSF5050IP/ KSF6000	1
46b	1.001.24.017	Raccordo KSF3000/KSF3025/KSF3050	Connection KSF3000/KSF3025/KSF3050	Racor KSF3000/KSF3025/KSF3050	1
46c	1.001.24.018	Raccordo KSF4000/KSF4050/KSF5000/KS F5025/KSF5050H	Connection KSF4000/KSF4050/KSF5000/ KSF5025/KSF5050H	Racor KSF4000/KSF4050/KSF5000/ KSF5025/KSF5050H	1
47a	4.070.04.001	Rondella 3/8"G KSF3000/KSF3025/KSF3050	3/8"G washer KSF3000/KSF3025/KSF3050	Arandela 3/8"G KSF3000/KSF3025/KSF3050	4

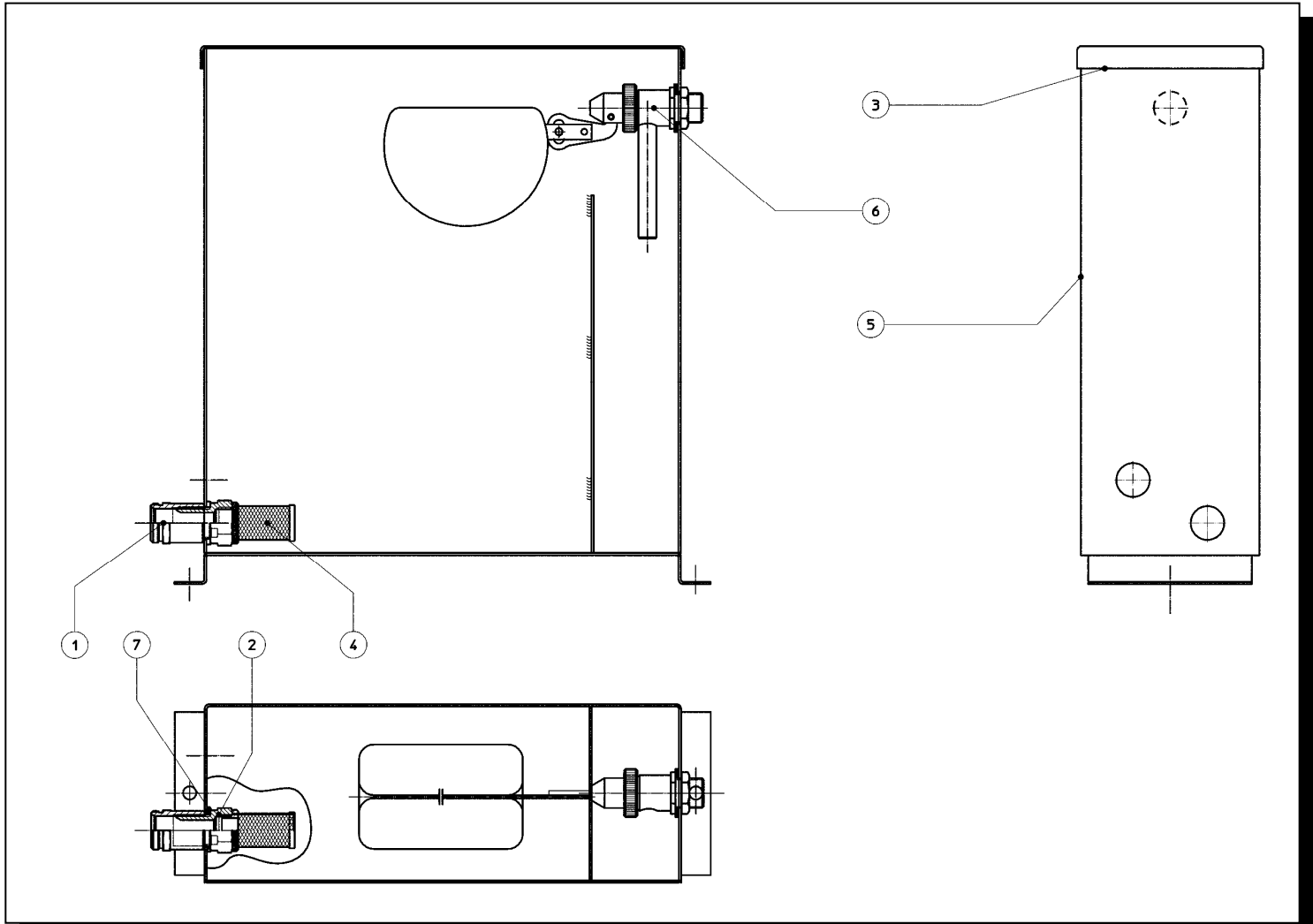
Pos.	Cod.	Descrizione	<i>Description</i>	Descripción	N°
47b	4.070.04.002	Rondella 1/2"G KSF4000/KSF4050/KSF5000/ KSF5025/KSF5050H	1/2"G washer KSF4000/KSF4050/KSF5000/ KSF5025/KSF5050H	Arandela 1/2"G KSF4000/KSF4050/KSF5000/ KSF5025/KSF5050H	4
47c	4.070.04.003	Rondella 3/4"G KSF5050IP/KSF6000	3/4"G washer KSF5050IP/KSF6000	Arandela 3/4"G KSF5050IP/KSF6000	4
48	1.072.02.004	Premimolla VRB	VRB spring clamp	Prensamuelle VRB	1
49a	1.012.14.003	Tappo 3/8"G KSF3000/KSF3025/KSF3050	3/8"G plug KSF3000/KSF3025/KSF3050	Tapa 3/8"G KSF3000/KSF3025/KSF3050	1
49b	1.012.14.004	Tappo 1/2"G KSF4000/KSF4050/KSF5000/ KSF5025/KSF5050H	1/2"G plug KSF4000/KSF4050/KSF5000/ KSF5025/KSF5050H	Tapa 1/2"G KSF4000/KSF4050/KSF5000/ KSF5025/KSF5050H	1
49c	1.012.14.014	Tappo 3/4"G KSF5050IP/KSF6000	3/4"G plug KSF5050IP/KSF6000	Tapa 3/4"G KSF5050IP/KSF6000	1
50a	4.036.04.005	Tappo "HAWK"	"HAWK" plug	Tapa "HAWK"	1
50b	4.036.04.008	Tappo "Interpump"	"Interpump" plug	Tapa "Interpump"	1
51	1.006.11.007	Guarnizione	Basket	Empaquetadura	1
52	4.005.22.025	OR 3075	O-Ring 3075	OR 3075	1
53	1.021.02.012	Manopola	Grip	Pomo	1
54	1.036.02.001	Inserito manopola	Grip insert	Legajo pomo	1
55	1.012.02.005	Tappo manopola	Grip plug	Tapa pomo	1
56	4.009.12.001	Dado autoblok	Autoblok nut	Tuerca autoblok	1
57a	4.027.02.028	Ugello KSF3000	Nozzle KSF3000	Tobera KSF3000	1
57b	4.027.02.034	Ugello KSF 3025	Nozzle KSF 3025	Tobera KSF 3025	1
57c	4.027.02.007	Ugello KSF3050/ KSF4000	Nozzle KSF3050/ KSF4000	Tobera KSF3050/ KSF4000	1
57d	4.027.02.070	Ugello KSF4050	Nozzle KSF4050	Tobera KSF4050	1
57e	4.027.02.073	Ugello KSF5050	Nozzle KSF5050	Tobera KSF5050	1
57f	4.027.02.050	Ugello KSF5000/KSF5025	Nozzle KSF5000/KSF5025	Tobera KSF5000/KSF5025	1
57g	4.027.02.080	Ugello KSF6000	Nozzle KSF6000	Tobera KSF6000	1
58a	2.006.24.013	Tubo KSF3000/KSF3025/KSF3050	Tube KSF3000/KSF3025/KSF3050	Tubo KSF3000/KSF3025/KSF3050	1
58b	2.006.24.015	Tubo KSF4000/KSF4050/KSF5000/ KSF5025/KSF5050/KSF6000	Tube KSF4000/KSF4050/KSF5000/ KSF5025/KSF5050/KSF6000	Tubo KSF4000/KSF4050/KSF5000/ KSF5025/KSF5050/KSF6000	1
59	3.022.12.034	Lancia	Lance	Lanza	1
60	3.021.22.003	Pistola con impugnatura	Trigger gun with grip	Pistola con empuñadura	1
61	1.001.14.024	Raccordo a L	L union	Racor a L	1
62	4.028.02.001	Filtro detergente	Chemical filter	Filtro detergente	1
63	4.005.14.006	OR 4075	O-Ring 4075	OR 4075	2
64	1.012.22.001	Tappo 1/4G	1/4G plug	Tapa 1/4G	1

PROLUNGA – EXTENSION – ALARGADOR



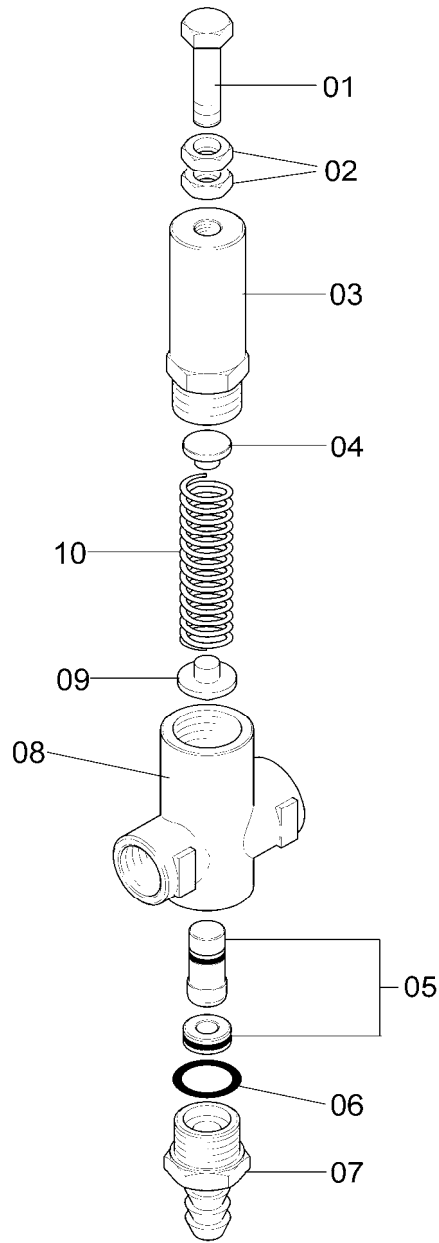
Pos.	Cod.	Descrizione	Description	Descripción	N°
1	1.001.02.046	Raccordo 1/4"G	1/4"G ARF union	Racor 1/4"G	1
2	1.017.02.003	Impugnatura superiore	Upper grip	Empunadura superior	1
3	1.017.02.004	Impugnatura inferiore	Lower grip	Empunadura inferior	1
4	1.019.02.010	Riduzione porta ugello	Nozzleholder reduction gear	Reduccion portatobera	1
5	1.036.02.006	Inserto lancia SC10	Lance insert	Inserto lanza	1
6	1.044.32.005	Tubo inox 13x1,5x700 1/4"G	Inox tube 13x1,5x700 1/4"G	Tubo inox 13x1,5x700 1/4"G	1
7	1.046.02.005	Protezione ugello	Nozze protection	Protección tobera	1
8	4.002.92.001	Vite Autofilettante 3,5x19	Self-tapping screw 3,5x19	Tornillo autoblocante 3,5x19	6
9	4.004.12.001	Vite STEI M6x6 UNI5923-67	STEI M6x6 UNI5923-67 screw	Tornillo STEI M6x6 UNI5923-67	1
10	4.008.12.003	Rondella rame 1/4"G	1/4"G copper washer	Arandola 1/4"G	2

PREMONTATO SERBATOIO ACQUA – PREASSEMBLED WATER TANK – PREENSAMBLADO TANQUE AGUA



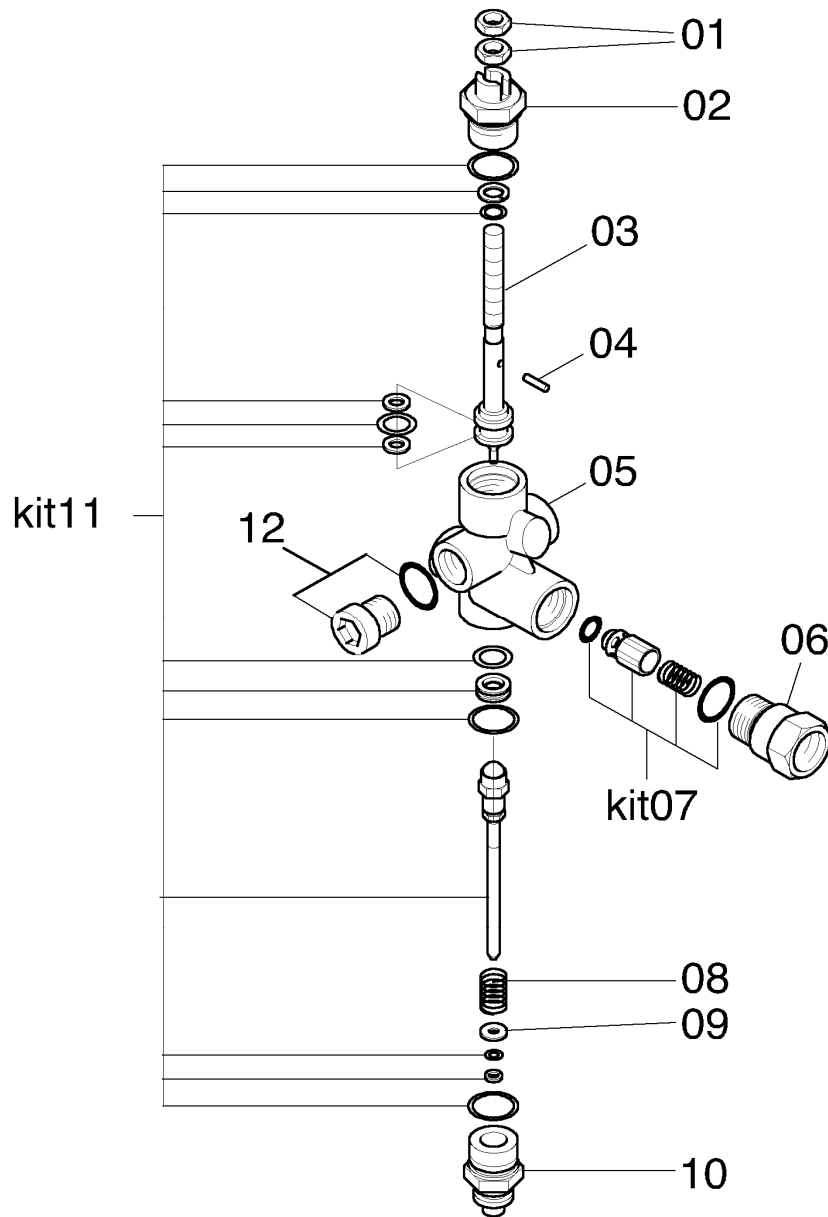
Pos.	Cod.	Descrizione	Description	Descripción	N°
01	1.001.02.050	Raccordo	Union	Racor	1
02	1.019.04.013	Riduzione	Reduction	Ridución	1
03	1.054.04.036	Coperchio	Cover	Tapon	1
04	2.011.02.004	Filtro	Filter	Filtro	1
05	2.037.04.003	Serbatoio	Tank	Tanque	1
06a	3.027.04.002	Galleggiante	Float	Flottador	1
06b	3.027.04.003	Galleggiante KSF5050IP/KSF6000	Float KSF5050IP/KSF6000	Flottador KSF5050IP/KSF6000	1
07	4.070.04.002	Rondella 1/2" G	1/2" G washer	Arandola 1/2" G	1

VALVOLA SICUREZZA – SAFETY VALVE – VÁLVULA DE SEGURIDAD



Pos.	Cod.	Descrizione	Description	Descripción	N°
01	4.002.42.003	Vite M8x30	M8x30 screw	Tornillo M8x30	1
02	4.009.04.003	Dado M8	M8 nut	Tuerca M8	2
03	1.021.02.011	Manopola	Grip	Pomo	1
04	1.072.02.011	Premimolla superiore	Upper spring press device	Sujeta-resorte superior	1
05	9.005.02.004	Kit ricambio otturatore	Shutter spare kit	Kit repuestos obturador	1
06	4.005.21.011	Guarnizione	Gasket	Empaquetadura	1
07	1.049.02.007	Portagomma	Tube holder	Portagoma	1
08	1.020.22.014	Corpo valvola di sicurezza	Safety valve body	Cuerpo válvula de seguridad	1
09	1.072.02.012	Premimolla inferiore	Lower spring press device	Sujeta-resorte inferior	1
10	1.025.22.007	Molla valvola di sicurezza	Safety valve spring	Muelle válvula de seguridad	1

VALVOLA BY-PASS – BY-PASS VALVE – VÁLVULA BY-PASS



Pos.	Cod.	Descrizione	Description	Descripción	N°
01	1.035.02.001	Dado massima pressione	Max pressure nut	Tuerca maxima presión	2
02	1.001.02.002	Raccordo guida stelo	Stem guide connection	Racor guía de vastago	1
03	1.037.02.001	Stelo VRB	VRB stem	Vastago VRB	1
04	4.011.12.001	Spina elastica	Elastic pin	Espina elástico	1
05	1.020.22.004	Corpo VRB	VRB body	Cuerpo VRB	1
06	1.001.02.003	Raccordo mandata	Delivery connection	Conexión envío	1
07	9.005.02.001	Otturatore mandata	Outlet shutter	Obturador	1
08	1.025.12.002	Molla	Spring	Muelle	1
09	1.003.02.004	Rondella 4x11x1,5	4x11x1,5 washer	Arandela 4x11x1,5	1
10	1.001.02.024	Raccordo	Connection	Racor	1
11	9.003.02.007	Kit tenuta Totalstop	Totalstop spare seal kit	Kit cierre Totalstop	1
12	2.013.04.016	Tappo	Plug	Tapa	1

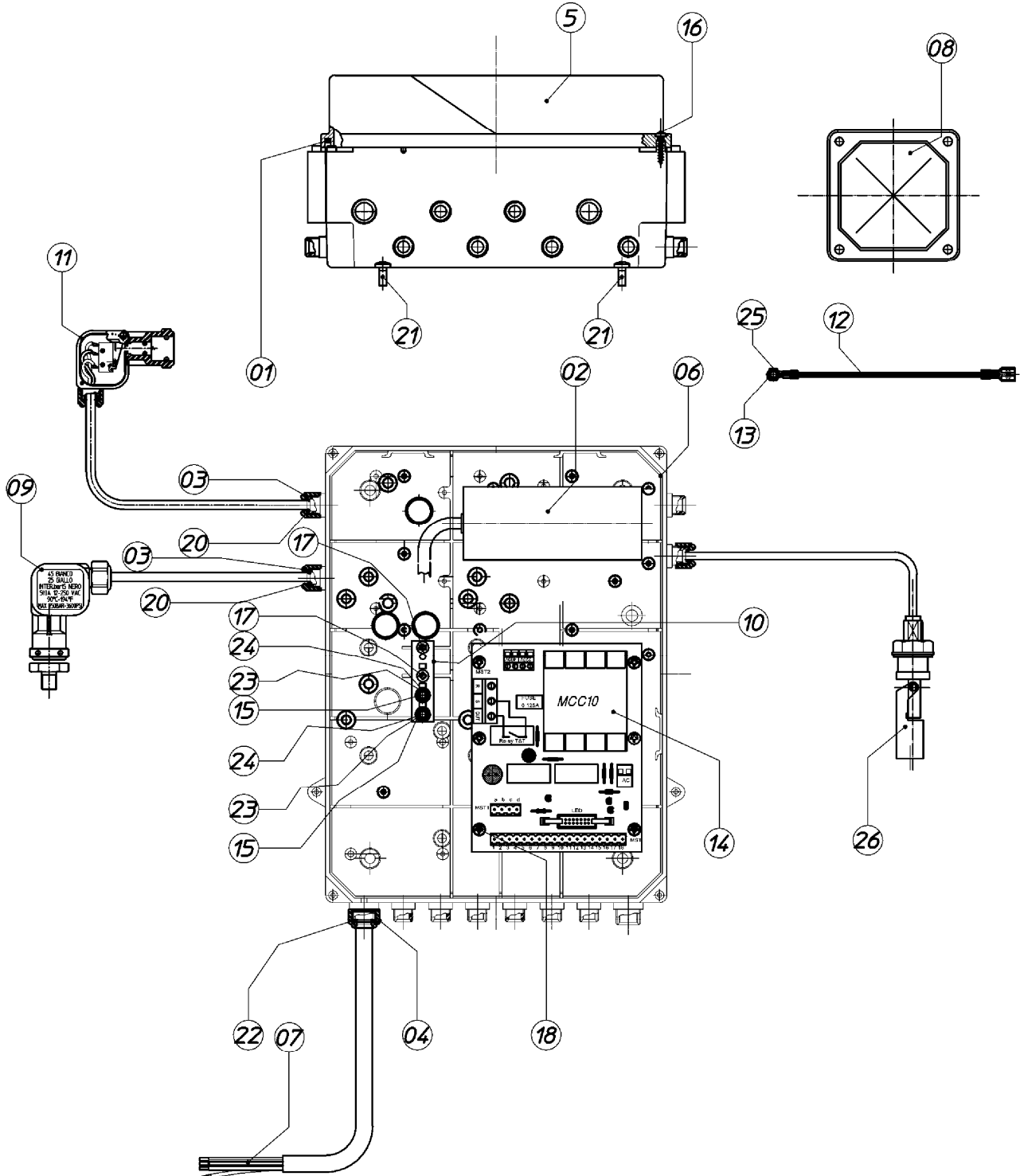
PREMONTATO QUADRO ELETTRICO

KSF3000/KSF3025/KSF3050/KSF4000/KSF4050 – PREEASSEMBLED

SWITCHBOARD KSF3000/KSF3025/KSF3050/KSF4000/KSF4050 –

PREENSAMBLADO PANEL MANDOS

KSF3000/KSF3025/KSF3050/KSF4000/KSF4050



PREMONTATO QUADRO ELETTRICO
KSF3000/KSF3025/KSF3050/KSF4000/KSF4050 – PREEASSEMBLED
SWITCHBOARD KSF3000/KSF3025/KSF3050/KSF4000/KSF4050 –
PREENSAMBLADO PANEL MANDOS
KSF3000/KSF3025/KSF3050/KSF4000/KSF4050

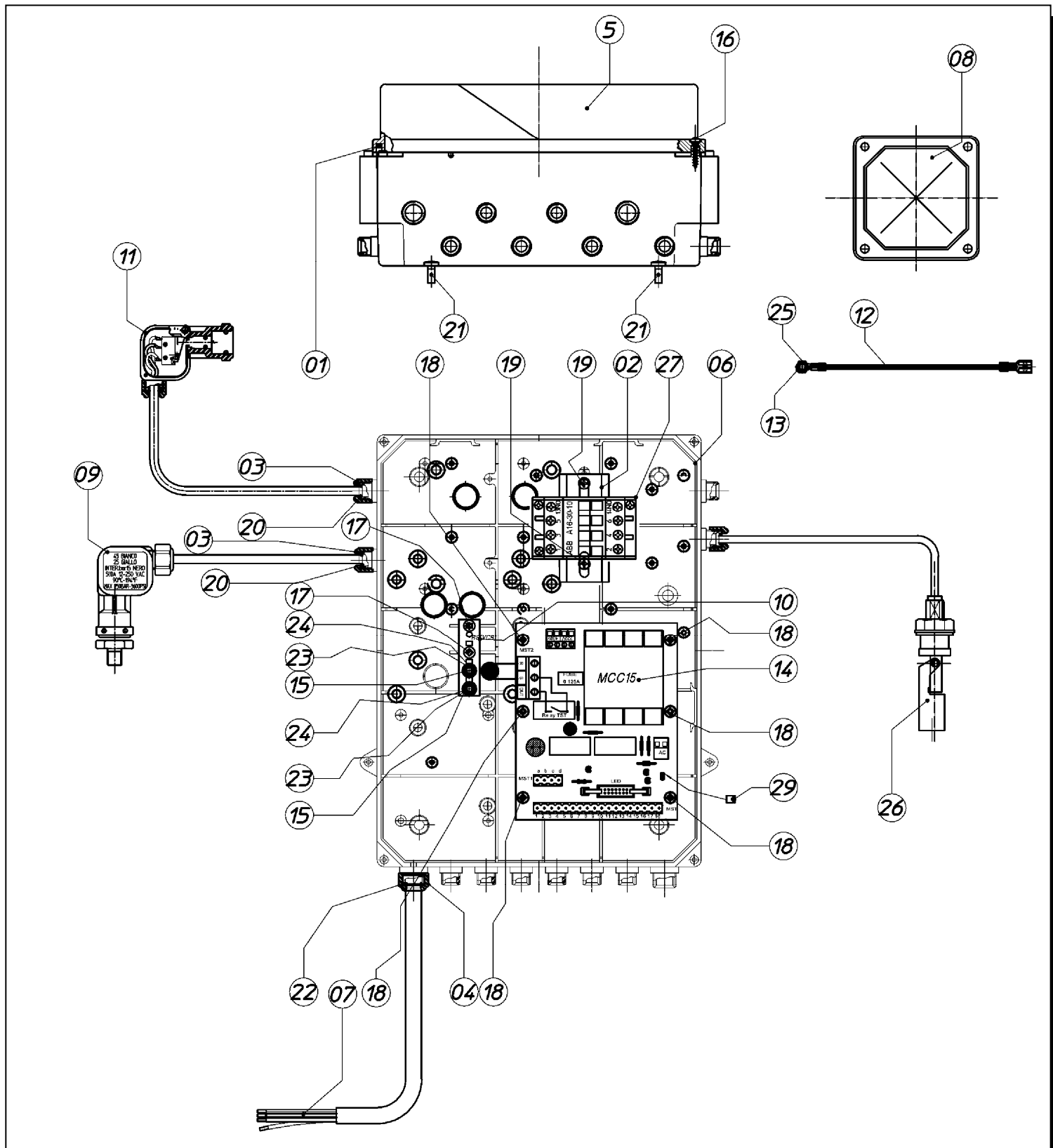
Pos.	Cod.	Descrizione	Description	Descripción	N°
01	1.006.14.004	Guarnizione	Gasket	Empaquetadura	1
02	4.035.02.014	Condensatore KSF3000/KSF3025	Condenser KSF3000/KSF3025	Condensador KSF3000/KSF3025	1
03	1.015.32.008	Ghiera 1/4"G	1/4"G ring nut	Abrazadera 1/4"G	3
04	1.015.32.011	Ghiera 3/8"G	3/8"G ring nut	Abrazadera 3/8"G	1
05	1.054.04.039	Coperchio quadro elettrico	Switchboard cover	Tapa panel mandos	1
06	1.078.04.022	Scatola elettrica	Electric box	Caja eléctrica	1
07	2.020.04.043	Cavo alimentazione	Power wire	Cable de alimentacion	1
08	1.006.14.005	Guarnizione profilo "U"	"U" profile gasket	Empaquadura a "U"	1
09	3.013.04.002	Pressostato 1/4"G	1/4"G pressure switch	Presostato 1/4"G	1
10	1.128.04.002	Barra messa a terra	Ground bar	Barra de tierra	1
11	2.008.04.003	Pressostato	Pressure switch	Presosato	1
12	2.020.14.011	Cavo messa a terra	Ground wire	Cable de tierra	1
13	4.002.94.016	Vite M3,5x8	M3,5x8 screw	Tornillo M3,5x8	1
14	3.024.02.027	Scheda MCC10	MCC10 Card	Ficha MCC10	1
15	4.002.44.011	Vite M5x10	M5x10 screw	Tornillo M5x10	2
16	4.002.92.001	Vite autofilettante 3,5x19	3,5x19 self-tapping screw	Tornillo autoblocante 3,5x19	4
17	4.002.92.003	Vite autofilettante 3,5x10	3,5x10 self-tapping screw	Tornillo autoblocante 3,5x10	2
18	4.002.94.005	Vite autofilettante 3,9x13	3,9x13 self-tapping screw	Tornillo autoblocante 3,9x13	6
19					
20	4.005.22.009	OR 3024	O-Ring 3024	OR 3024	3
21	4.002.72.001	Vite M5x12	M5x12 screw	Tornillo M5x12	4
22	4.005.24.001	OR 112	O-Ring 112	OR 112	1
23	4.008.04.005	Rondella	Washer	Arandela	2
24	4.008.54.002	Rondella SCHNORR	SCHNORR washer	Arandela SCHNORR	2
25	4.008.54.001	Rondella SCHNORR	SCHNORR washer	Arandela SCHNORR	1
26	3.030.02.007	Livellostato	Level switch	Livellostato	1

PREMONTATO QUADRO ELETTRICO KSF5000

KSF5025/KSF5050/KSF6000 – PREEASSEMBLED SWITCHBOARD

KSF5000 KSF5025/KSF5050/KSF6000 – PREENSAMBLADO PANEL

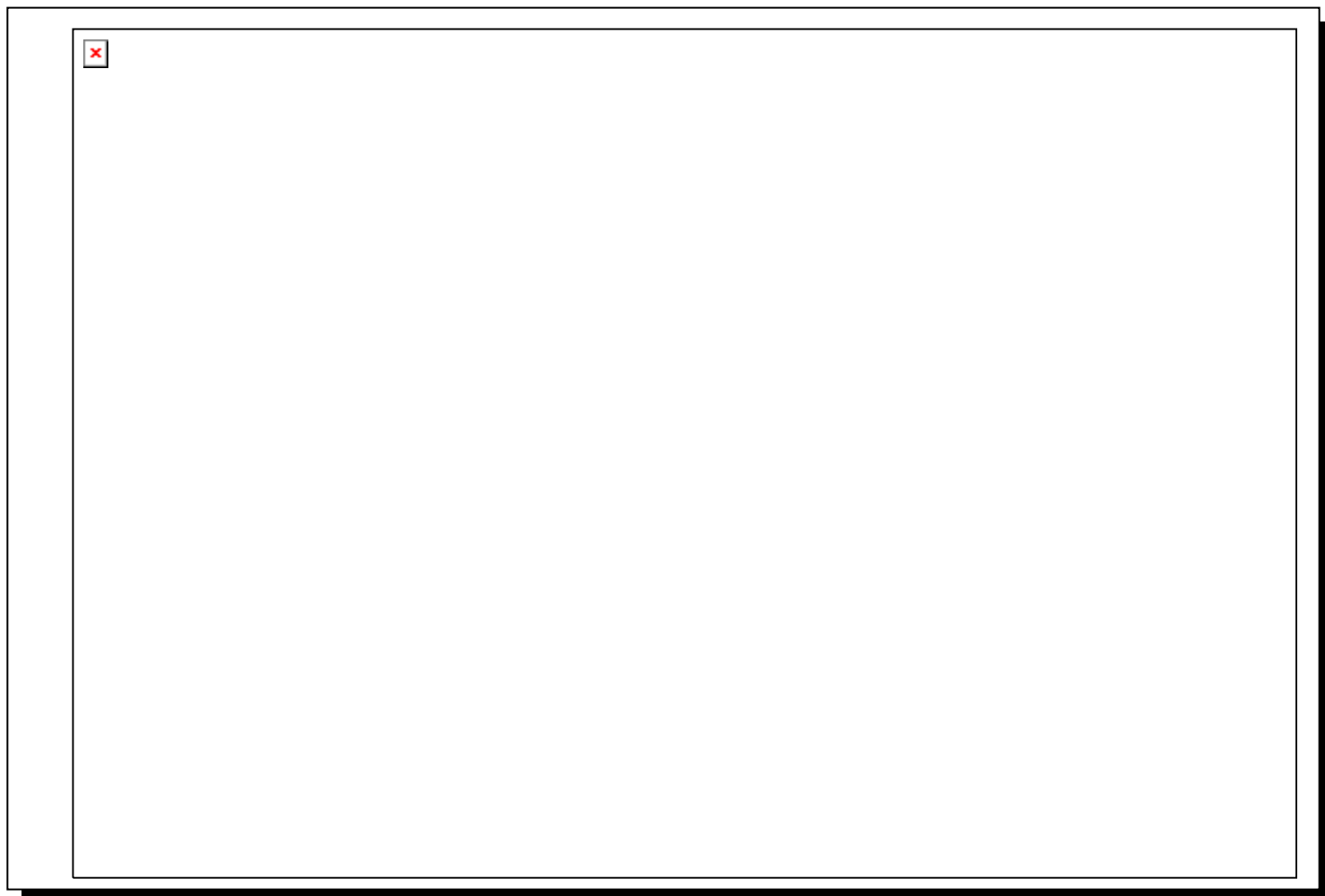
MANDOS KSF5000/KSF5025/KSF5050/KSF6000



PREMONTATO QUADRO ELETTRICO KSF5000
KSF5025/KSF5050/KSF6000 – PREEASSEMBLED SWITCHBOARD
KSF5000 KSF5025/KSF5050/KSF6000 – PREENSAMBLADO PANEL
MANDOS KSF5000/KSF5025/KSF5050/KSF6000

Pos.	Cod.	Descrizione	<i>Description</i>	Descripción	N°
01	1.006.14.004	Guarnizione	Gasket	Empaquetadura	1
02	1.011.04.033	Barra con supporto	Support bar	Barra con soporte	1
03	1.015.32.008	Ghiera 1/4"G	1/4"G ring nut	Abrazadera 1/4"G	3
04	1.015.32.011	Ghiera 3/8"G	3/8"G ring nut	Abrazadera 3/8"G	1
05	1.054.04.039	Coperchio quadro elettrico	Switchboard cover	Tapa panel mandos	1
06	1.078.04.022	Scatola elettrica	Electric box	Caja eléctrica	1
07	2.020.04.043	Cavo alimentazione	Power wire	Cable de alimentacion	1
08	1.006.14.005	Guarnizione profilo "U"	"U" profile gasket	Empaquadura a "U"	1
09	3.013.04.002	Pressostato 1/4"G	1/4"G pressure switch	Presostato 1/4"G	1
10	1.128.04.002	Barra messa a terra	Ground bar	Barra de tierra	1
11	2.008.04.003	Pressostato	Pressure switch	Presosato	1
12	2.020.14.011	Cavo messa a terra	Ground wire	Cable de tierra	1
13	4.002.94.016	Vite M3,5x8	M3,5x8 screw	Tornillo M3,5x8	1
14	3.024.02.023	Scheda MCC15	MCC15 card	Ficha MCC15	1
15	4.002.44.011	Vite M5x10	M5x10 screw	Tornillo M5x10	2
16	4.002.92.001	Vite autofilettante 3,5x19	3,5x19 self-tapping screw	Tornillo autobloccante 3,5x19	4
17	4.002.92.003	Vite autofilettante 3,5x10	3,5x10 self-tapping screw	Tornillo autobloccante 3,5x10	2
18	4.002.94.005	Vite autofilettante 3,9x13	3,9x13 self-tapping screw	Tornillo autobloccante 3,9x13	6
19	4.002.94.015	Vite autofilettante 3,9x9,5	3,9x9,5 self-tapping screw	Tornillo autobloccante 3,9 x9,5	2
20	4.005.22.009	OR 3024	O-Ring 3024	OR 3024	3
21	4.002.72.001	Vite M5x12	M5x12 screw	Tornillo M5x12	4
22	4.005.24.001	OR 112	O-Ring 112	OR 112	1
23	4.008.04.005	Rondella	Washer	Arandela	2
24	4.008.54.002	Rondella SCHNORR	SCHNORR washer	Arandela SCHNORR	2
25	4.008.54.001	Rondella SCHNORR	SCHNORR washer	Arandela SCHNORR	1
26	3.030.02.007	Livellostato	Level switch	Livellostato	1
27a	4.042.04.020	Teleruttore KSF5000/KSF5025	Magnetic switch KSF5000	Teleruptor KSF5000	1
27b	4.042.04.019	Teleruttore KSF5050/KSF6000	Magnetic switch KSF5050	Teleruptor KSF5050	1
28					
29	4.079.02.001	Ponticello corto circuito			1

COMPLESSIVO MOTOPOMPA – MOTORPUMP LAYOUT – ESQUEMA GENERAL MOTOBOMBA



Pos.	Cod.	Descrizione	Description	Descripción	N°
01a	3.015.12.028	Pompa KSF3000 "Hawk"	Pump KSF3000 "Hawk"	Bomba KSF3000 "Hawk"	1
01b	3.015.12.025	Pompa KSF3025 "Hawk"	Pump KSF3025 "Hawk"	Bomba KSF3025 "Hawk"	1
01c	3.015.12.011	Pompa KSF3050 "Hawk"	Pump KSF3050 "Hawk"	Bomba KSF3050 "Hawk"	1
01d	3.015.12.043	Pompa KSF4000 "Hawk"	Pump KSF4000 "Hawk"	Bomba KSF4000 "Hawk"	1
01e	3.015.12.045	Pompa KSF4050/KSF5050 "Hawk"	Pump KSF4050/KSF5050 "Hawk"	Bomba KSF4050/KSF5050 "Hawk"	1
01f	3.015.12.020	Pompa KSF5000 "Hawk"	Pump KSF5000 "Hawk"	Bomba KSF5000 "Hawk"	1
01g	3.015.12.030	Pompa KSF5025 "Hawk"	Pump KSF5025 "Hawk"	Bomba KSF5025 "Hawk"	1
01h	3.015.12.027	Pompa KSF3000 "Interpump"	Pump KSF3000 "Interpump"	Bomba KSF3000 "Interpump"	1
01i	3.015.12.035	Pompa KSF3025 "Interpump"	Pump KSF3025 "Interpump"	Bomba KSF3025 "Interpump"	1
01j	3.015.12.026	Pompa KSF3050 "Interpump"	Pump KSF3050 "Interpump"	Bomba KSF3050 "Interpump"	1
01k	3.015.12.002	Pompa KSF4000 "Interpump"	Pump KSF4000 "Interpump"	Bomba KSF4000 "Interpump"	1
01l	3.015.12.023	Pompa KSF4050 "Interpump"	Pump KSF4050 "Interpump"	Bomba KSF4050 "Interpump"	1
01m	3.015.12.022	Pompa KSF5000 "Interpump"	Pump KSF5000 "Interpump"	Bomba KSF5000 "Interpump"	1
01n	3.015.12.029	Pompa KSF5050 "Interpump"	Pump KSF5050 "Interpump"	Bomba KSF5050 "Interpump"	1
01o	3.015.12.034	Pompa KSF6000 "Interpump"	Pump KSF6000 "Interpump"	Bomba KSF6000 "Interpump"	1
02a	4.008.52.001	Rondella KSF3000/KSF3025/KSF3050	Washer KSF3000/KSF3025/KSF3050	Arandela KSF3000/KSF3025/KSF3050	4
02	4.008.52.002	Rondella KSF4000/KSF4050/KSF5000/ KSF5025/KSF5050/KSF6000	Washer KSF4000/KSF4050/KSF5000/ KSF5025/KSF5050/KSF6000	Arandela KSF4000/KSF4050/KSF5000/ KSF5025/KSF5050/KSF6000	4
03	4.002.11.002	Vite M8x25	M8x25 screw	Tornillo M8x25	4
04a	2.017.02.024	Premontato carter KSF3000/KSF3025	Preassembled casing KSF3000/KSF3025	Preensamblado cárter KSF3000/KSF3025	1

COMPLESSIVO MOTOPOMPA – MOTORPUMP LAYOUT – ESQUEMA GENERAL MOTOBOMBA

Pos.	Cod.	Descrizione	Description	Descripción	N°
04b	2.017.02.022	Premontato carter KSF3050	Preassembled casing KSF3050	Preensamblado cárter KSF3050	1
04c	2.017.02.023	Premontato carter KSF4000/KSF4050	Preassembled casing KSF4000/KSF4050	Preensamblado cárter KSF4000/KSF4050	1
04d	2.017.02.020	Premontato carter KSF5000/KSF5025	Preassembled casing KSF5000/KSF5025	Preensamblado cárter KSF5000/KSF5025	1
04e	2.017.02.021	Premontato carter KSF6000	Preassembled casing KSF6000	Preensamblado cárter KSF6000	1
05a	2.014.02.047	Premontato albero KSF3000/KSF3025	Preassembled shaft KSF3000/KSF3025	Preensamblado eje KSF3000/KSF3025	1
05b	2.014.02.045	Premontato albero KSF3050	Preassembled shaft KSF3050	Preensamblado eje KSF3050	1
05c	2.014.02.046	Premontato albero KSF4000/KSF4050	Preassembled shaft KSF4000/KSF4050	Preensamblado eje KSF4000/KSF4050	1
05d	2.014.02.043	Premontato albero KSF5000/KSF5025	Preassembled shaft KSF5000/KSF5025	Preensamblado eje KSF5000/KSF5025	1
05e	2.014.02.044	Premontato albero KSF6000	Preassembled shaft KSF6000	Preensamblado eje KSF6000	1
06a	4.016.02.005	Cuscinetto KSF3000/KSF3025/KSF3050	Bearing KSF3000/KSF3025/KSF3050	Cojinete KSF3000/KSF3025/KSF3050	1
06b	4.016.02.006	Cuscinetto KSF4000/KSF4050	Bearing KSF4000/KSF4050	Cojinete KSF4000/KSF4050	1
06c	4.016.02.007	Cuscinetto KSF5000/KSF5025/KSF5050/KSF6000	Bearing KSF5000/KSF5025/KSF5050/KSF6000	Cojinete KSF5000/KSF5025/KSF5050/KSF6000	2
07a	1.074.02.008	Flangia posteriore KSF3000/KSF3025/KSF3050	Back flange KSF3000/KSF3025/KSF3050	Brida posterior KSF3000/KSF3025/KSF3050	1
07b	1.074.02.007	Flangia posteriore KSF4000/KSF4050	Back flange KSF4000/KSF4050	Brida posterior KSF4000/KSF4050	1
07c	1.074.02.012	Flangia posteriore KSF5000/KSF5025/KSF5050KSF6000	Back flange KSF5000/KSF5025/KSF5050KSF6000	Brida posterior KSF5000/KSF5025/KSF5050KSF6000	1
08a	1.073.02.004	Ventola KSF3000/KSF3025/KSF3050	Fan KSF3000/KSF3025/KSF3050	Ventilador KSF3000/KSF3025/KSF3050	1
08b	1.073.02.003	Ventola KSF4000/KSF4050	Fan KSF4000/KSF4050	Ventilador KSF4000/KSF4050	1
08c	1.073.02.005	Ventola KSF5000/KSF5025/KSF5050KSF6000	Fan KSF5000/KSF5025/KSF5050KSF6000	Ventilador KSF5000/KSF5025/KSF5050KSF6000	1
09	1.045.02.005	Fascetta	Clamp	Faja	1
10a	1.046.02.013	Protezione ventola KSF3000/KSF3025/KSF3050	Fan protection KSF3000/KSF3025/KSF3050	Protección ventilador KSF3000/KSF3025/KSF3050	1
10b	1.046.02.012	Protezione ventola KSF4000/KSF4050	Fan protection KSF4000/KSF4050	Protección ventilador KSF4000/KSF4050	1
10c	1.046.02.017	Protezione ventola KSF5000/KSF5025/KSF5050KSF6000	Fan protection KSF5000/KSF5025/KSF5050KSF6000	Protección ventilador KSF5000/KSF5025/KSF5050KSF6000	1
11a	4.002.94.015	Vite autofilettante 3,9x9,5 KSF3000/KSF3025/KSF3050/KSF4000/ KSF4050	3,9x9,5 self tapping screw KSF3000/KSF3025/KSF3050/KSF4000/ KSF4050	Tornillo autobloccante 3,9x9,5 KSF3000/KSF3025/KSF3050/KSF4000/ KSF4050	3
11b	4.002.94.007	Vite autofilettante 4,2x13 KSF5000/KSF5025/KSF5050KSF6000	4,2x13 self tapping screw KSF5000/KSF5025/KSF5050KSF6000	Tornillo autobloccante 4,2x13 KSF5000/KSF5025/KSF5050KSF6000	4
12a	4.002.12.008	Vite M6x25 KSF3000/KSF3025/KSF3050	M6x25 screw KSF3000/KSF3025/KSF3050	Tornillo M6x25 KSF3000/KSF3025/KSF3050	8
12b	4.002.11.002	Vite M8x25 KSF4000/KSF4050/KSF5000	M8x25 screw KSF4000/KSF4050/KSF5000	Tornillo M8x25 KSF4000/KSF4050/KSF5000	8
12c	4.002.12.018	Vite M8x45 KSF5025/KSF5050KSF6000	M8x45 screw KSF5025/KSF5050KSF6000	Tornillo M8x45 KSF5025/KSF5050KSF6000	4
13a	4.049.12.002	Anello KSF3000/KSF3025/KSF3050	Ring KSF3000/KSF3025/KSF3050	Anillo KSF3000/KSF3025/KSF3050	1
13b	4.049.12.003	Anello KSF4000/KSF4050	Ring KSF4000/KSF4050	Anillo KSF4000/KSF4050	1
13c	4.049.12.004	Anello KSF5000/KSF5025/KSF5050/KSF6000	Ring KSF5000/KSF5025/KSF5050/KSF6000	Anillo KSF5000/KSF5025/KSF5050/KSF6000	1
14a	1.074.02.037	Flangia KSF3000/KSF3025/KSF3050	Flange KSF3000/KSF3025/KSF3050	Brida KSF3000/KSF3025/KSF3050	1
14b	1.074.02.034	Flangia KSF4000/KSF4050	Flange KSF4000/KSF4050	Brida KSF4000/KSF4050	1
14c	1.074.02.031	Flangia KSF5000/KSF5025/KSF5050/KSF6000	Flange KSF5000/KSF5025/KSF5050/KSF6000	Brida KSF5000/KSF5025/KSF5050/KSF6000	1
15a	3.055.02.004	Giunto KSF3000/KSF3025/KSF3050	Coupling KSF3000/KSF3025/KSF3050	Junta KSF3000/KSF3025/KSF3050	1
15b	3.055.02.002	Giunto KSF4000/KSF4050	Coupling KSF4000/KSF4050	Junta KSF4000/KSF4050	1
15c	3.055.02.001	Giunto KSF5000/KSF5025/KSF5050/KSF6000	Coupling KSF5000/KSF5025/KSF5050/KSF6000	Junta KSF5000/KSF5025/KSF5050/KSF6000	1

COMPLESSIVO MOTOPOMPA – MOTORPUMP LAYOUT – ESQUEMA GENERAL MOTOBOMBA

Pos.	Cod.	Descrizione	Description	Descripción	N°
16					
17a	1.074.02.036	Flangia anteriore KSF3000/KSF3025/KSF3050	Front flange KSF3000/KSF3025/KSF3050	Brida anterior KSF3000/KSF3025/KSF3050	1
17b	1.074.02.035	Flangia anteriore KSF4000/KSF4050	Front flange KSF4000/KSF4050	Brida anterior KSF4000/KSF4050	1
17c	1.074.02.032	Flangia anteriore KSF5000/KSF5025/KSF5050/KSF6000	Front flange KSF5000/KSF5025/KSF5050/KSF6000	Brida anterior KSF5000/KSF5025/KSF5050/KSF6000	1
18a	4.016.02.010	Cuscinetto KSF3000/KSF3025/KSF3050	Beaing KSF3000/KSF3025/KSF3050	Cojinette KSF3000/KSF3025/KSF3050	1
18b	4.016.02.011	Cuscinetto KSF4000/KSF4050	Beaing KSF4000/KSF4050	Cojinette KSF4000/KSF4050	1
19					
20a	4.021.02.004	Chiavetta KSF3000/KSF3025/KSF3050	Cotter KSF3000/KSF3025/KSF3050	Chaveta KSF3000/KSF3025/KSF3050	1
20	4.021.02.005	Chiavetta KSF4000/KSF4050	Cotter KSF4000/KSF4050	Chaveta KSF4000/KSF4050	1
21					
22					
23	4.004.42.005	Grano	Grub screw	Grano	1
24a	1.131.02.008	Mozzo Ø24 KSF3000/KSF3025/KSF3050	Ø24 hub KSF3000/KSF3025/KSF3050	Cubo Ø24 KSF3000/KSF3025/KSF3050	1
24b	1.131.02.005	Mozzo Ø24 KSF4000/KSF4050	Ø24 hub KSF4000/KSF4050	Cubo Ø24 KSF4000/KSF4050	1
24c	1.131.02.009	Mozzo Ø24 KSF5000/KSF5025/KSF5050/KSF6000	Ø24 hub KSF5000/KSF5025/KSF5050/KSF6000	Cubo Ø24 KSF5000/KSF5025/KSF5050/KSF6000	1
25	1.157.02.001	Ammortizzatore giunto	Coupling cushion	Amortiguador junta	12
26a		Mozzo Ø30 KSF3000/KSF3025/KSF3050	Ø30 hub KSF3000/KSF3025/KSF3050	Cubo Ø30 KSF3000/KSF3025/KSF3050	1
26b	1.131.02.006	Mozzo Ø35 KSF4000/KSF4050	Ø35 hub KSF4000/KSF4050	Cubo Ø35 KSF4000/KSF4050	1
26c	1.131.02.010	Mozzo Ø38 KSF5000/KSF5025/KSF5050/KSF6000	Ø38 hub KSF5000/KSF5025/KSF5050/KSF6000	Cubo Ø38 KSF5000/KSF5025/KSF5050/KSF6000	1
27a	3.002.22.011	Motore elettrico KSF3000/KSF3025	Electric motor KSF3000/KSF3025	Motor eléctrico KSF3000/KSF3025	1
27b	3.02.12.032	Motore elettrico KSF3050	Electric motor KSF3050	Motor eléctrico KSF3050	1
27c	3.002.12.033	Motore elettrico KSF4000/KSF4050	Electric motor KSF4000/KSF4050	Motor eléctrico KSF4000/KSF4050	1
27d	3.002.12.029	Motore elettrico KSF5000/KSF5025	Electric motor KSF5000/KSF5025	Motor eléctrico KSF5000/KSF5025	1
27e	3.002.12.030	Motore elettrico KSF5050/KSF6000	Electric motor KSF5050/KSF6000	Motor eléctrico KSF5050/KSF6000	1