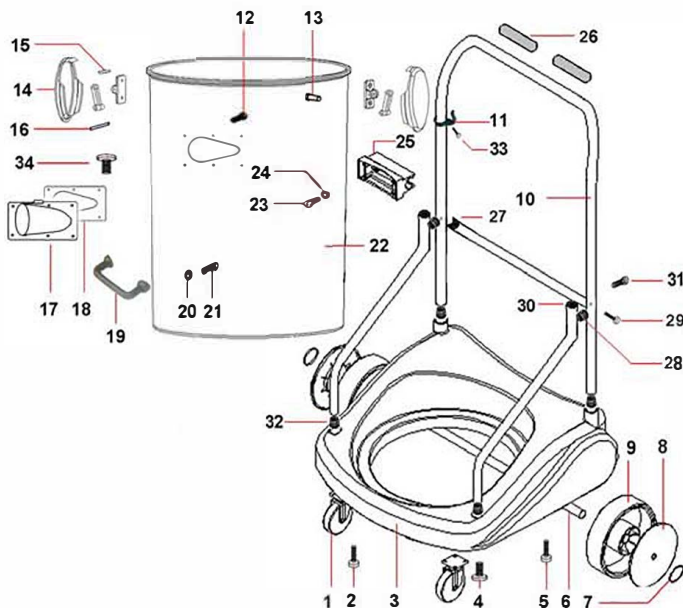
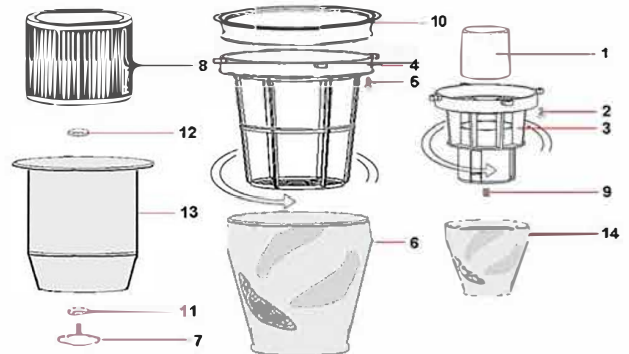


HEAD			
POS.	COD.	DESCRIPTION	Q.TY
1	CVVA520ZN	Self Tipping Screw 5x20 ZN	4
2	CEIM016R/C	Red Light Switch 2P with protection	2
3	CGL05931	Trademark ELSEA f.to 59x31,5	1
4	CGPA110	Fairlead	1
5	CPMA260F3	Handle ExelVerso 3 Hole Ø260	1
6	CVVA525ZN	Self Tipping Screw 5x25 TC ZN	2
7	CPFC001	Cablefix	1
8	CVVA540ZN	Self Tipping Screw 5x40 TC ZN	1
9	CEKM003/3	Kit Terminal board 3Poles 3xL300mm Ø2.5mm*2 C+R	1
10	CVVA525ZN	Self Tipping Screw 5x25 TC ZN	4
11	CECC340N/R	Connection cable with terminal and 2xR	1
12	CPC0441	Cover Ø441 ExelVerso	1
13	GECE215/8,5	Electric cable H05 2x1,5 mm*2 L=8,5mt	1
14	/		
15	CVVA550ZN	Self Tipping Screw 5x50 TC ZN	6
16	/		
17	CPCM452	Motor Cover Ø 452	1
18	CGGU370	Filter sponge Ø370mm	1
19	CVVA2919ZB	Self Tipping Screw 2.9x19 TC ZB	1
20	CEKM004/3MOT	Terminal board 7poles 3motors	1
21	CVVA540ZN	Self Tipping Screw 5x40 TC ZN	9
22	CVVA540ZN	Self Tipping Screw 5x40 TC ZN	3
23	CPFM444	Motor Holder D. 444	1
24	CGR0008	Washer H=B Ø85x65	3
25	CPDA015	Motor plastic spacer ring H=15	3
26	/		
27	CGGU005L	"L" Gasket s/f h=5	3
28	MO12382BP	Motor bv-pass 2 stages P1200W - PC38	3
29	CPVA050	Automatic valve Ø50	3
30	CGTF145/50	Sound absorbent triangle	3
31	CGGU003P	Gasket s/f h=3	3
32	CVVA540ZN	Self Tipping Screw 5x40 TC ZN	3
33	CVVA2919ZB	Self Tipping Screw 2.9x19 TC ZB	1
34	CVVM520TC	Metric screw M5x20	1
35	CPBM452	Motor Base D. 452	1
36	CEPS346	Plate of ground	1
37	CPC0328	Conveyor	1
38	CVVA516ZN	Self Tipping Screw 5x16 ZN	12
39	CGGU441	Head/Tank Gasket SBR Ø 441x395x3	1

FILTER SET WET/DRY			
POS.	COD.	DESCRIPTION	Q.TY
1	CPGA080	Float Ø80	1
2	CVVA512ZC	Self Tipping Screw 5x12 FL ZC	4
3	CPPG168	Float Supporting Ø168	1
4	CPTF252	Filter Basket Ø252	1
5	CVVA512ZC	Self Tipping Screw 5x12 FL ZC (OPTIONAL)	6
6	FI044P	Polyester Filter Ø44(OPTIONAL)	1
7	CVGA816	Cartridge winnut M8x15	1
8	FI250178P	Cartridge filter Polyester Ø175 H140	1
9	CVIF810	Threaded insert M8 Ø10	1
10	CPAF442	Filtration Ring Ø442 (OPTIONAL)	1
11	CGGU1572	Gasket NBR 15x7,8x2 mm	1
12	CGGP011	Gasket Mousse	1
13	CMCI300	Cyclon Ø300	1
14	ACCA165	Anti-foam cover	1



STAINLESS STEEL TANK AND TROLLEY			
POS.	COD.	DESCRIPTION	Q.TY
1	CPRU060	Flanged wheel with plate Ø60	2
2	CVVA516ZN	Self Tipping Screw 5x16 TC ZN	8
3	CPCA570B	Trolley	1
4	CVVM820Z	Metric screw M8x20 Zn	1
5	CVVA540ZN	Self Tipping Screw 5x40 TC ZN	2
6	CMTU020	Wheel stand Ø20	1
7	CMBL020	Block Ø20	2
8	CPB0200NE	Wheel knob black Ø200	2
9	CPRU200	Wheel Ø200	2
10	CMMA025CR	Shackle Ø25	1
11	CPGA025	Cable wind hook	1
12	CVR525	Rivet 4.8x25	6
13	CVR515	Rivet 4.8x15	4
14	CPGS113	Spring Hook	2
15	CMSP424	Hook Plug D.4 L=24 mm	2
16	CMSP450	Hook Plug D.4 L=50 mm	2
17	CMBT050	Tangential Inlet Ø50	1
18	CGGU050	Tangential inlet gasket Ø50	1
19	CPMA120P/C	Bridge handle complete M120	1
20	CPS0013	Finishing washer Ø13	2
21	CVVA630ZB	Self Tipping Screw 6x30 TC ZB	2
22	CMFU580AJBT	Tank AISI 430 D.420 H.580 x tangential inlet	1
23	CVVA520ZN	Self Tipping Screw 5x20 TC ZN	4
24	CPS0013	Finishing washer Ø13	4
25	CPCR025	Tank rollo hinge Ø25	1
26	CPIM025	Plastic handle Ø25	2
27	CPCT025	Plastic radial connector Ø25	2
28	CPID025	Spacer Ø25	2
29	CVVA650ZB	Self Tipping Screw 6x50 TC ZB	2
30	CPTU025	Hose stopper Ø25	2
31	CVVA545ZB	Self Tipping Screw 5x45 TC ZB	2
32	CPPF825	Threaded plastic point M8 ABS Ø25	2
33	CVVM412ZN	Metric screw M4x12 ZN	1
34	CMPS050	Inlet Knob Ø50	1