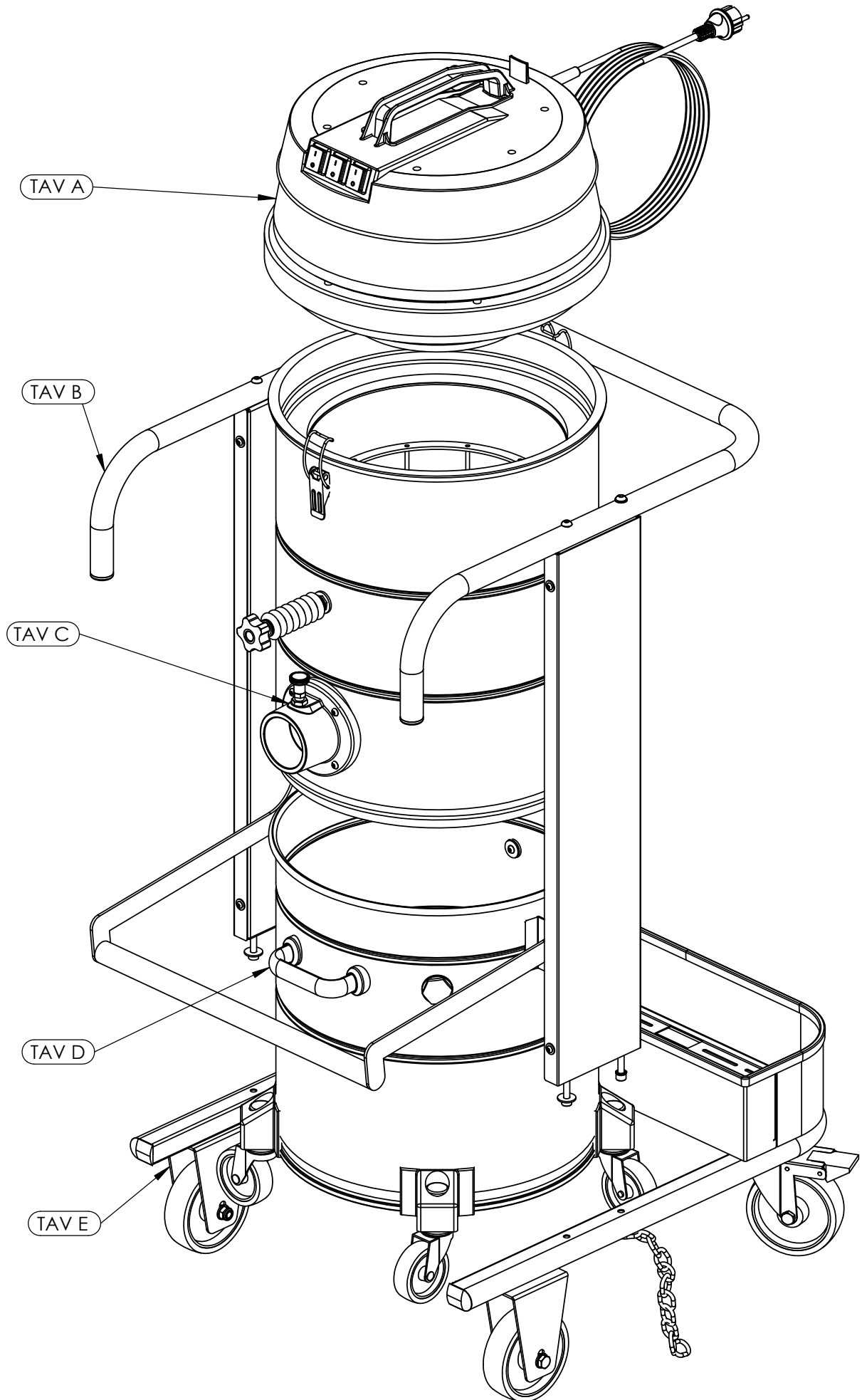


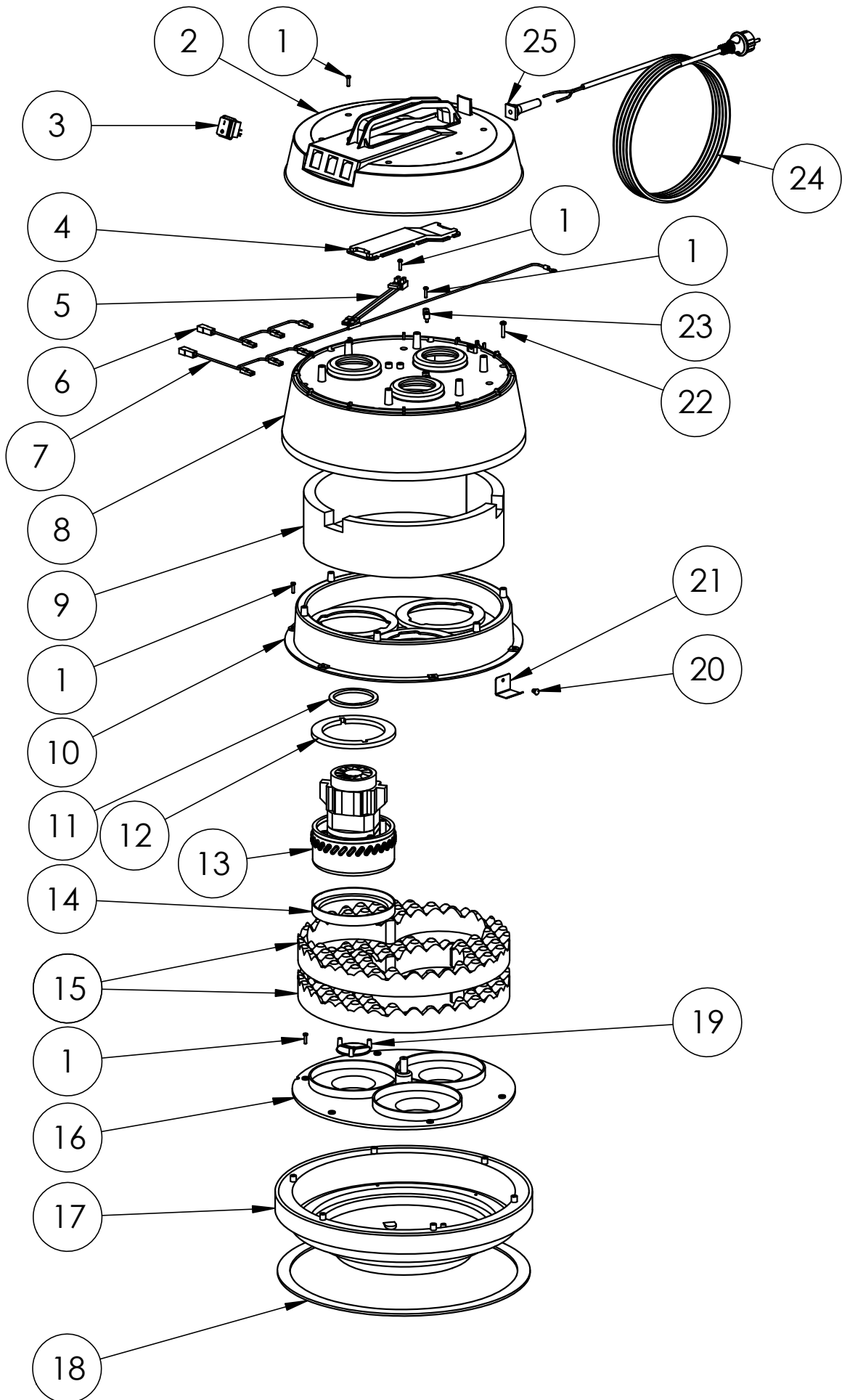
 **KRÜGER**[®]
Technology S.L.

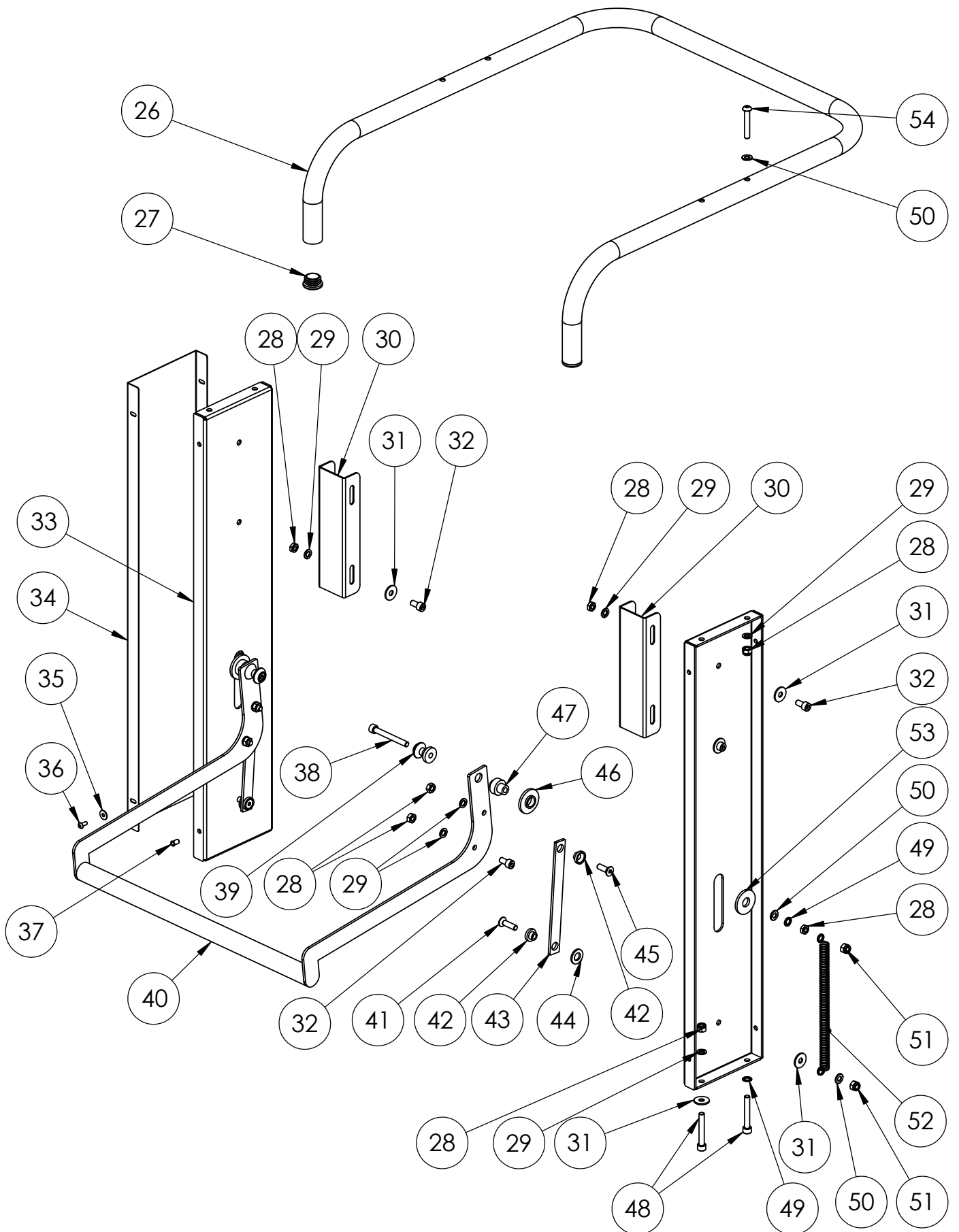
DESPIECE TÉCNICO
ASPIRADOR INDUSTRIAL

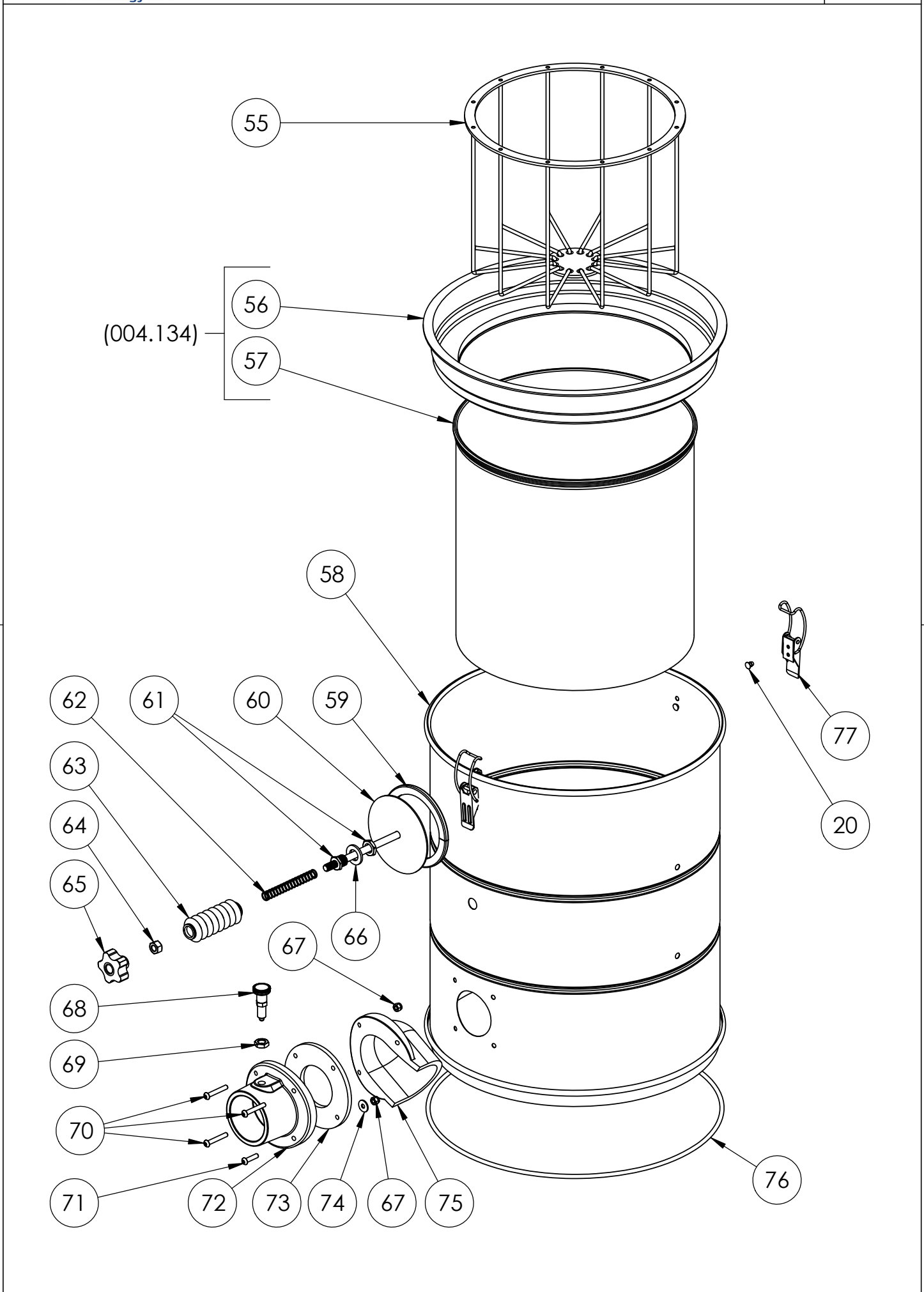
KRAI37

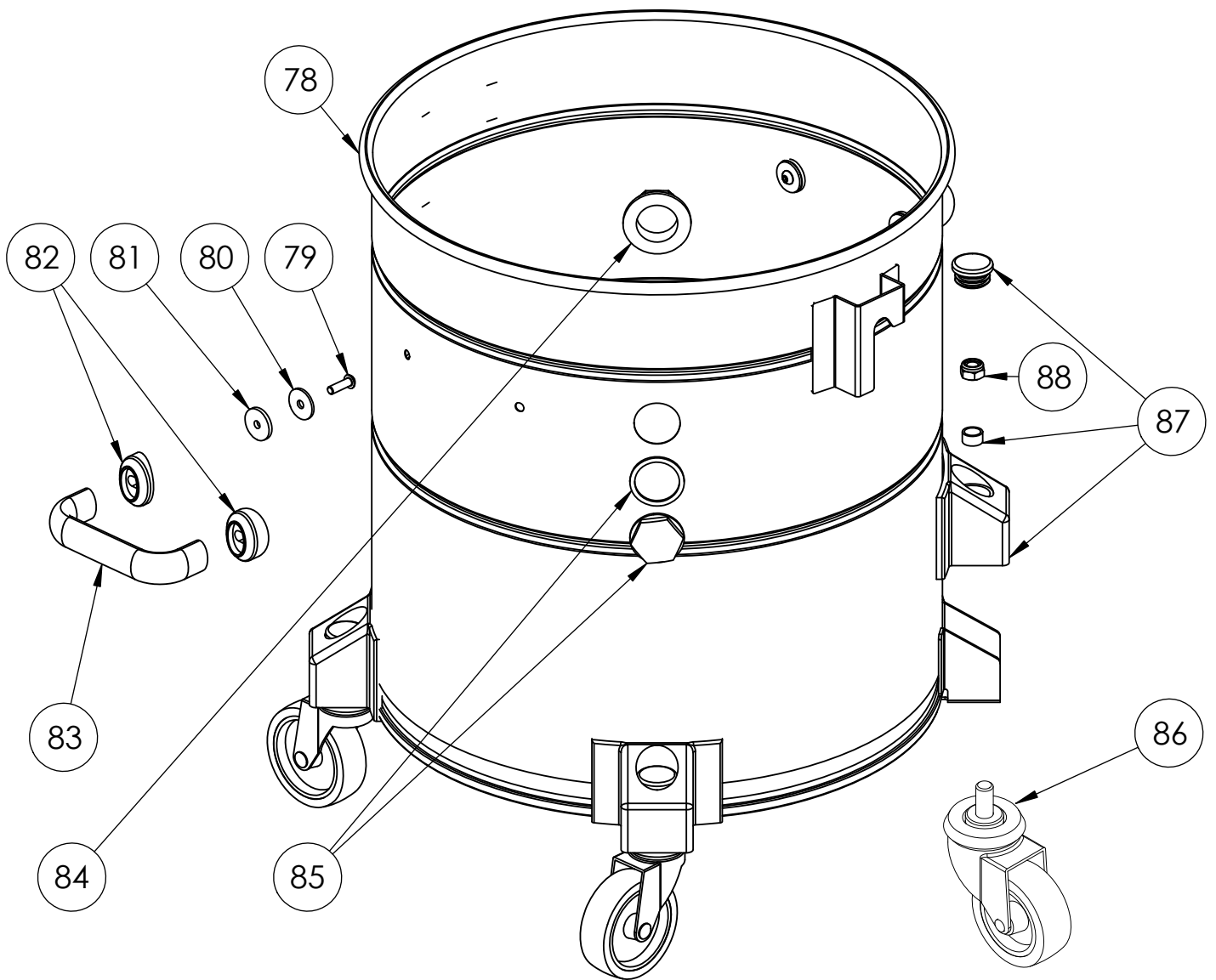


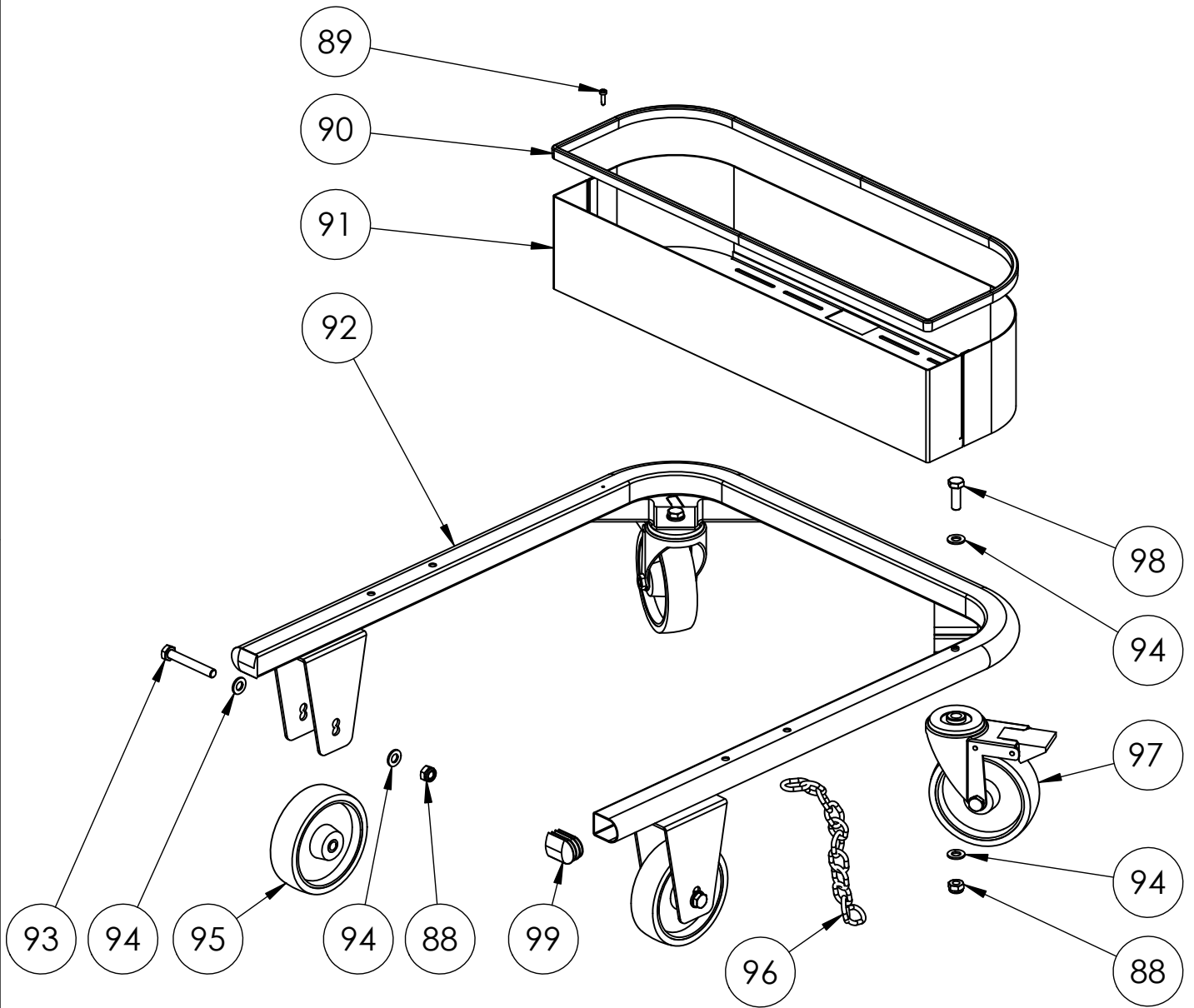












POS	CODE	DESCRIZIONE	DESCRIPTION	QTA'
1	003.421	Vite autof. 4x16 UNI 6954 spuntata	Screw 4x16 UNI 6954	21
2	001.322	Coperchio iniez. SP/SM80 - 3 tasti - RAL 7016	Cover, inj.mold for SP/SM80-3buttons-grey RAL7016	1
3	002.304	Interruttore 0-1 V220 nero 4-conn con soffietto	Switch 0-1 V220 black 4-conn	3
4	001.324	Inserito coperchio iniez. SP/SM80 - rosso RAL 3001	Cover insert, inj.mold for SP/SM80 - red RAL3001	1
5	002.350	Cablaggio + condensatore Prestige	Wiring + capacitor for Prestige	1
6	002.399.005	Ponte di cavetti azzurro testata 3 motori	Wire bridge, blue, for 3-motorhead	1
7	002.445	Ponte di cavetti marrone antistatico, testata 3 motori	Antistatic wire bridge, brown, for 3-motorhead	1
8	001.338	Calotta SP/SM80 (T) rosso RAL 3001	Cap SP/SM80(T) red RAL 3001	1
9	001.409	Insonorizzante sup. testata SP/SM80-QBAT-MT	Upper silencing foam of motorhead SP/SM80-QBAT-MT	1
10	001.301	Anello intermedio SP/SM80 (T)	Intermediate ring SP/SM80 (T)	1
11	001.416	Guarnizione mousse sp 5mm x motore SP/SM80	Motor gasket for SP/SM80 thickness 5mm	3
12	001.499.084	Guarnizione Diam.est 147-int 110 SP. 8mm	Gasket ext.diam.147 - int.diam.110 - thickness 8mm	3
13	002.089	Motore A40RM - 230V completo di cavi	Motor A40RM - 230V complete with wiring	3
14	001.312	Guarnizione motore "L" sp 5mm	Motor gasket "L" thickness 5mm	3
15	001.241	Insonorizzante inf. per testata 2/3 motori SP/SM80/ MTP	Silencing foam for motorhead of SP/SM80/ MTP	2
16	001.303	Basamento motore SP/SM80 (T)	Motor support base SP/SM80 (T)	1
17	001.307	Basamento testata SP/SM80 (T)	Motorhead support base SP/SM80 (T)	1
18	001.313	Guarnizione basamento testata SP/SM80 (T)	Gasket for motorhead support SP/SM80 (T)	1
19	001.302	Valvola non-ritorno x motor SP/SM80 (T)	One-way valve for motor SP/SM80(T)	3
20	003.017	Riveto 4,8x10 d.10 alluminio	Rivet 4,8x10 d.10 aluminium	5
21	001.267	Piastrina di massa, sotto gancio per aspiratori 80L	Ground plate under latch for vacuum cleaners 80 L	1
22	003.374	Vite TCC 5x20	Screw 5x20	6
23	002.336	Pressacavo a ponticello per SP-SM	Cord support bridge for SP-SM	1
24	002.303	Cavo 2x1,5 - 7m spina shuko testata 2/3motori	Power cord 2x1,5 - 7m - Shuko plug for 2/3 motorhead	1
25	002.300	Passacavo per Prestige	Cord support for Prestige	1
26	001.074	Maniglia spostamento TT-MT	Handle for manoeuvring TT-MT	1
27	003.035	Tappo tubo tondo diam. 30	Round stopper d.30	2
28	003.101	Dado ES M8 5589 ZN	Nut ES 5589 M8	22
29	003.551	Rondella spaccata M8 UNI1751 A2	Split washer M8 UNI 1751 A2	20
30	001.030	Staffa C x involucro superiore MT-TCX	C-bracket for upper tank of MT-TCX	2
31	003.432	Rondella 8x24 zn	Washer 8x24 zn	13
32	003.354	Vite TCEI 8,8 - 8x16 UNI5931 zn	Screw TCEI 8,8 - 8x16 UNI5931 zn	10
33	001.027	Spalla TCX-MT	Side support for TCX-MT	2
34	001.028	Pannello copri-spalla TCX-MT	Side support panel for TCX-MT	2
35	003.057	Rondella 5x15	Washer 5x15	8
36	003.097	Vite TBEI 8.8 5x12 znt	Screw TBEI 8.8 5x12 znt	8
37	003.033	Inserito filettato UNI 9202-A/M5-8	threaded insert M5	8
38	003.388	Vite TCEI 8x70 zn	Screw 8x70 zn	2
39	001.001	Gancio sollevamento involucro inferiore	Support groove for lower tank lifting mechanism	2
40	001.069	Maniglia sollevamento TT-MT	Handle for tank lifting mechanism TT-MT	1
41	003.026	Vite testa svasato 8x25 zn	Screw 8x25 zn	2
42	001.013	Boccola acciaio	Bush, steel	4
43	001.014	Leva sollevamento	Lever for tank lifting mechanism	2
44	003.387	Rondella M12 zn	Washer M12 zn	2
45	003.399.009	Vite VSP 10.9 8x30 UNI5933 zn	Screw, countersunk, UNI5933 - M8 x 30	2
46	001.012	Rondella sollevamento acciaio 1/4	Washer, steel 1/4 for tank lifting mechanism	2
47	001.010	Distanziale ferma-maniglia	Spacer for handle block	2
48	003.029	Vite TC brugola 8x55	Screw TC 8x55	4
49	003.189	Rondella dentellata est. M8 UNI 8842A zn	Serrated spring washer M8 UNI 8842A zn	3
50	003.087	Rondella UNI6592 M8	Washer UNI6592 M8	8

POS	CODE	DESCRIZIONE	DESCRIPTION	QTA'
51	003.001	Dado 6S M8 DIN982/985 autoblocc.	Nut M8	4
52	001.006	Molla sollevamento	Spring for tank lifting mechanism	2
53	001.011	Rondella piatta sollevamento fusto	Flat washer for tank lifting mechanism	2
54	003.124	Vite TBEI 10.9 8x45 UNI5933 zn	Screw TBEI 10.9 8x45 UNI5933 zn	4
55	001.075	Cestello scuoti-filtro stellare x QT/MT/TT	Basket for large filter shaker for QT/MT/TT	1
56	004.105	Anello porta-filtro per SP-SM80/QT/MT/TT	Filter support ring for SP-SM80/QT/MT/TT	1
57	004.107	Filtro cilindrico standard per SP-SM80/QT/MT/TT	Filter, polyester, cylindrical for SP-SM80/QT/MT/TT	1
58	001.260	Involucro superiore MT/TT AISI 304, con bandella	Upper tank MT/TT AISI 304, with stip	1
59	003.041	Profilo pinzabile portezione (0,37 mtr)	Protective profile, pinched (0,37mtr)	0,37Mt
60	001.166	Disco 120x10.5x2mm x scuotifiltro indust	Disk 120x10.5x2mm for filter shaker of TT-MT-TTX	1
61	003.072	Passaparete per scuotifiltro TT-MT-TTX	Bulkhead for filter shaker of TT-MT-TTX	1
62	001.091	Molla per scuotifiltro TT-MT-TTX	Spring for filter shaker of TT-MT-TTX	1
63	003.146	Soffietto per scuotifiltro	Gasket, for filter shaker of TT-MT-TTX	1
64	003.425	Dado ES M10 UNI 5588	Nut M10 UNI 5588	1
65	003.061	Volantino D.50 M10F per scuotifiltro	Knob D.50 M10F for filter shaker	1
66	003.058	Rondella M16 zn	Rondella M16 zn	2
67	003.004	Dado esagonale 982/985 M6 autobloccante	Nut, hexagonal 982/985 M6	4
68	001.086	Pistoncino a molla (ns)	Spring-loaded hose release	1
69	003.547	Dado 12x1,5 zn	Nut 12x1,5 zn	1
70	003.176	Vite TBEI 10,9 M6x40 znt	Screw TBEI 10,9 M6x40 zn	3
71	003.355	Vite TBEI 10,9 M6x25 znt	Screw TBEI 10,9 M6x25 zn	1
72	001.271	Bocchettone d.70 alluminio	Vacuum inlet diameter 70, aluminum	1
73	001.273	Guarnizione mousse sp. 7mm per bocchettone d.70 al	Gasket, mousse, for aluminium vacuum inlet d.70	1
74	003.310	Rondella A2 6593 6x18	Washer, flat with large hole 6x18 inox	1
75	001.272	Convogliatore per bocchettone d.70, alluminio	Conveyor for vacuum inlet diam.70, aluminum	1
76	001.178	Guarnizione gomma tonda Ø8mm	Gasket, intermediate, Ø8mm	1,3Mt
77	003.067	Gancio a filo piccolo	Tank latch, small	2
78	001.093	Involucro inferiore TT-MT INOX AISI 304	Lower tank TT-MT stainless steel AISI 304	1
79	003.105	Vite TBEI 10,9 M6x20 znt	Screw TBEI 10,9 M6x20 zn	4
80	003.077	Rondella d.6x24 UNI 6593 zn	Washer d.6x24 UNI 6593 zn	4
81	003.353	Rondella sugero 6x24 sp.3	Cork washer 6x24 thickness 3mm	4
82	003.153	Rondella per maniglia nylon per fusti industriali	Washer for handle, nylon	4
83	003.152	Maniglia in nylon per fusti industriali	Handle, nylon	2
84	004.369	Ghiera per curva 1"	Ferrule for 1" curve	1
85	003.016	Oblo con guarnizione	Obloe with gasket	1
86	003.059	Ruota piroettante d.60	Wheel d.60	4
87	003.043	Copri-ruota plastica nera	Wheel cover, plastic, black	4
88	003.002	Dado esagonale 982/985 M10 autobloccante	Nut, hexagonal 982/985 M10 autobloccante	8
89	003.150	Vite TC 4,2X16 autofor. znt	Screw TC 4,2x16	2
90	003.041	Profilo pinzabile portezione (1,4 mtr)	Protective profile, pinched (1,4mtr)	1,4Mt
91	001.037	Cestello porta oggetti TTX-TT-MT h120	Tool basket for TTX-TT-MT h120	1
92	001.064	Telaio TT/MT completo	Base frame for TT/MT, complete	1
93	003.389	Vite TE 10x70 zn	Screw 10x70 zn	2
94	003.023	Rondella M10 zn	Washer M10 zn	8
95	003.066	Ruota d.125 X MT /TT	Wheel diameter 125 for TT-MT	2
96	003.575	Catena sollev asta dosatore serbatoio	Pull chain for tank rod	0,25Mt
97	003.065	Ruota piroettante d.125 con freno MT/TT	Wheel d.125 with brake for TT-MT	2
98	003.384	Vite TE 8.8 10x30 UNI5739 ZN	Screw, hexagonale head UNI5739-M10x30	2
99	003.203	Tappo semiovale 30x42 telaio MT/TT	Stopper, semi-oval 30x42	2

VARIANTI PER MTV 40 (008.017)

58	001.278	Involucro superiore TTV - MTV con bandella, verniciato	Upper tank TTV - MTV powder coat painted	1
78	001.032	Involucro inferiore TTV - MTV verniciato	Lower tank TTV - MTV powder coat painted	1



KRÜGER TECHNOLOGY S.L.
B-82526583
Polígono Agustinos C/G Parcela B2
31013 Pamplona (Navarra) - ESPAÑA
+34 948 343 393 - info@kruger.es - www.kruger.es