



DESPIECE TÉCNICO  
ASPIRADOR LIMPIATAPICERÍAS

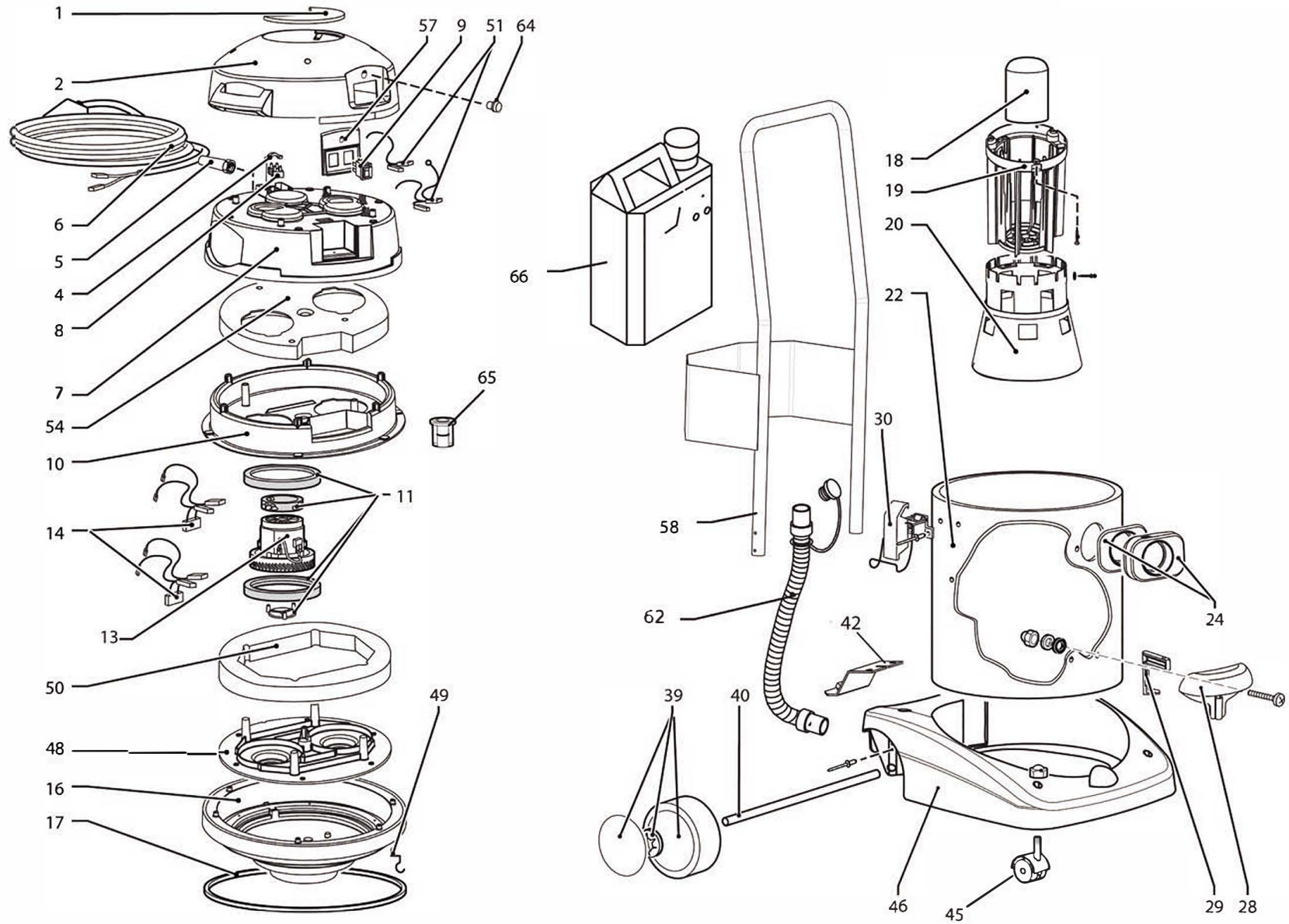
**KRA78LT**





# Despiece Técnico KRA78LT

E8221C004/01



**LISTA RICAMBI**

CODICE: 8.221.0516

REV.: |

DESCRIZIONE: (KRA78LT KRUGER)

DATA INIZIO VAL.: 03/16/2012

DATA FINE VAL.: 01/01/3000

CODICE GRUPPO: R82210516

REV.: |

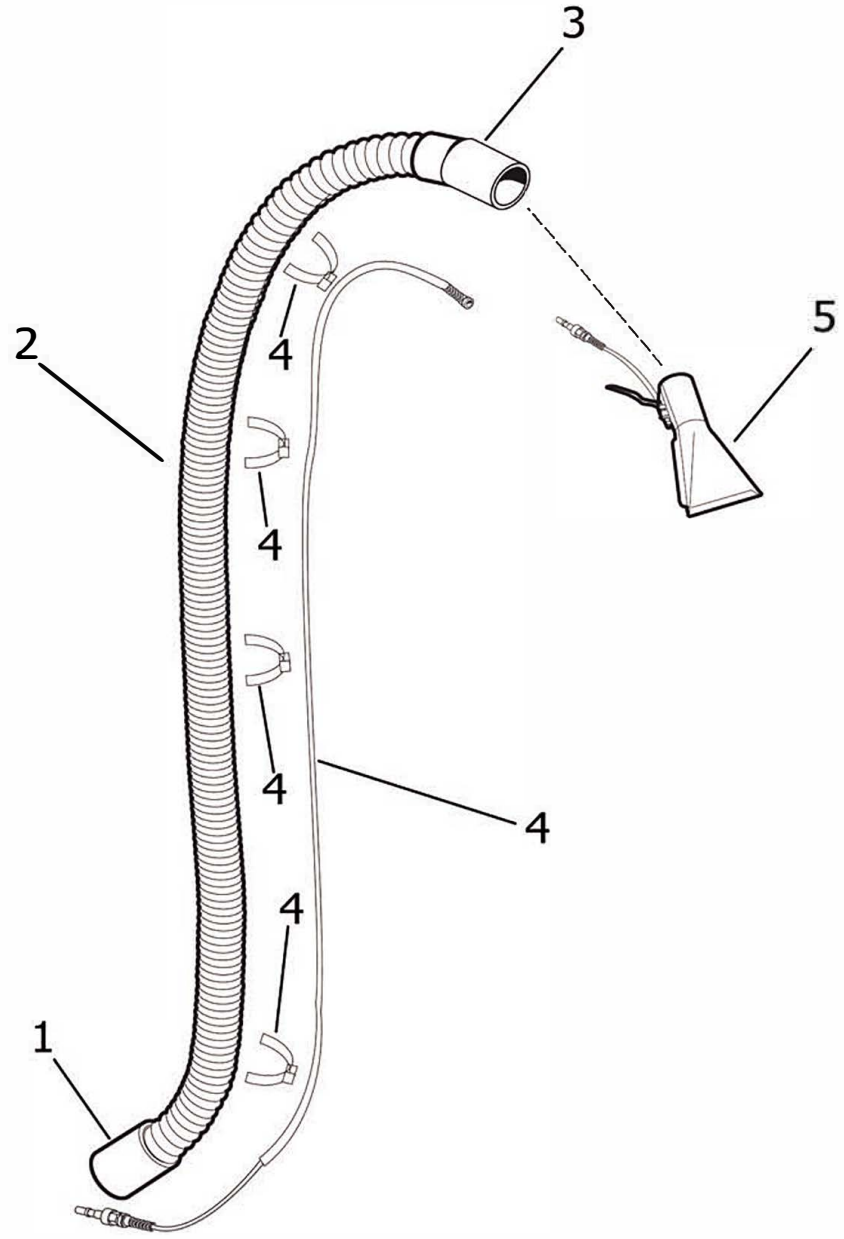
DESCRIZIONE: SOLARIS IF-03 230/50 (KRA78LT KRUGER)

DATA INIZIO VAL.: 03/16/2012

DATA FINE VAL.: 01/01/3000

N. TAVOLA: E8221C004/01

CODICE:	DESCRIZIONE:	QTA':	POS:	RIF1:	RIF2:
4.208.0283	HANDLE FOR VACUUM CLEANER '03 (DARK GREY RAL.7016)	1	01		
4.208.0303	GREY HEAD FOR DOMUS-TAURUS (FOR COSTELLATION)	1	02		
4.008.0277	FIX PAD CABLE HOLDER	1	04		
3.406.0031	CABLE HOLDER 60X12X15.5 EPDM BLACK	1	05		
4.012.0179	CABLE H05VV-F 2X1.5 MT.7 F/F SP.SCHUKO ESP.00	1	06		
4.208.0401	UNDER COVER	1	07		
3.405.0055	JUNCTION-BOX 4MMQ. 110 12 380V	1	08		
3.401.0109	DOUBLE BLACK SWITCH WITH PROTECTION	2	09		
4.208.0244	UPPER SEPARATOR BETWEEN MOTORS	1	10		
6.205.0108	SPONGE KIT	1	11		
3.755.0069	UNIVERSAL MOTOR 230V/50HZ	2	13		
4.212.0003	CABLE 0.75 L=480	2	14		
4.208.0293	MOTOR BASE x PROF.VACUUM CLEA. '03 (DARK GREY RAL.7016)	1	16		
4.215.0013	GASKET 410X445 EPDM 45 SH FOR DOMUS - TAURUS	1	17		
4.208.0096	FLOATING FOR DOMUS-TAURUS ESP.00	1	18		
4.208.0075	BASKET FOR PROFESSIONAL VACUUM CLEANER	1	19		
4.208.0076	CONE	1	20		
3.751.0016	INOX DRUM DOMUS/TAURUS	1	22		
6.205.0071	KIT GASKET+PIPE UNION FOR PROF ESSIONAL VACCUM	1	24		
4.208.0098	FRONT HANDLE FOR BODY DOMUS TAURUS ESP.00	1	28		
4.208.0099	LEVER	1	29		
3.099.0454	HOOK 2.05/621 ZNT FOR BODY TAURUS '03	2	30		
6.205.0069	KIT WHEELS FOR TAURUS/DOMUS/ZE US/APOLLO	2	39		
4.207.0005	WHEELS AXLE FOR ZEUS-DOMUS-TAURUS D.15 L.490	1	40		
4.207.0029	BRACKET	1	42		
3.006.0049	WHEEL DIAM. 250X55 HOLE 20 (L. WASH)	2	44		
3.006.0058	WHEEL PIV. D.60 H82 M10x20 XEC O VERSION (A122211TGN)	3	45		
4.208.0287	DOMUS-TAURUS BASE'03 (DARK GREY) RAL 7016	2	46		
4.208.0087	SPACER	1	48		
5.213.0001	ANTISTATIC PLATE	1	49		
4.215.0097	SPONGE HLC 24 AU SP.60 D.340mm	1	50		
4.212.0033	CABLE 0,75 F/F-F/M 300mm	1	51		
4.215.0079	SPONGE PL/45 61x27x3sp	1	54		
4.208.0242	BLACK SWITCH HOLDER WITH HOLE FOR COSTELLATION	1	57		
4.208.0132	HANDLE FOR DRUM (ZEUS-DOMUS- TAURUS).	1	58		
3.099.0841	COVER FOR WHEEL D.250x55 (DARK GREY RAL.7016) (PANT.425C)	2	60		
6.205.0075	KIT OUTLET PIPE	1	62		
5.009.0293	RED BACKLIGHTED SWITCH WITH PROTECTOR	1	64		
6.205.0053	KIT SUCTION WATER FILTER + PLASTIC CONNECTION	1	65		
3.601.0073	TANK	1	66		



# LISTA RICAMBI

**CODICE:** 8.221.0516

**REV.:** |

**DESCRIZIONE:** (KRA78LT KRUGER)

**DATA INIZIO VAL.:** 03/16/2012

**DATA FINE VAL.:** 01/01/3000

**CODICE GRUPPO:** R8221A516

**REV.:** |

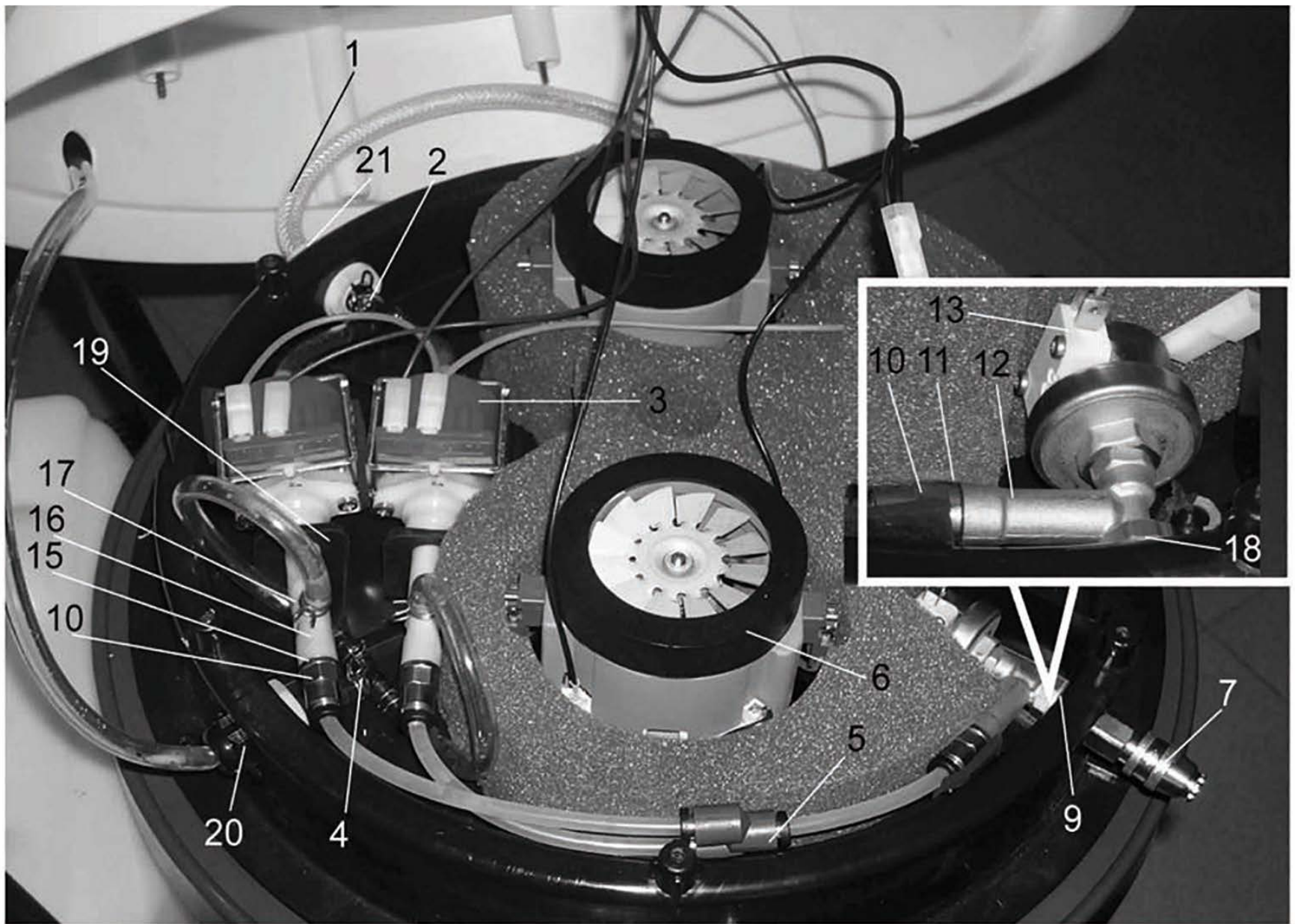
**DESCRIZIONE:** ACCESSORIES

**DATA INIZIO VAL.:** 03/16/2012

**DATA FINE VAL.:** 01/01/3000

**N. TAVOLA:** E8221A001/05

<b>CODICE:</b>	<b>DESCRIZIONE:</b>	<b>QTA':</b>	<b>POS:</b>	<b>RIF1:</b>	<b>RIF2:</b>
3.754.0047	COUPLING FOR FLEX HOSE (TANK SIDE) D. 40	1	01		
3.752.0076	FLEX TUBE MT.2,40 D.40	1	02		
3.754.0046	COUPLING FOR FLEX HOSE (ACCESSORY SIDE) D.40	1	03		
5.211.0084	KIT INJ./EXTR. W/OUT TAP	1	04		
5.209.0143	SMALL INJ./EXTR. NOZZLE	1	05		



# LISTA RICAMBI

**CODICE:** 8.221.0516

**REV.:** |

**DESCRIZIONE:** (KRA78LT KRUGER)

**DATA INIZIO VAL.:** 03/16/2012

**DATA FINE VAL.:** 01/01/3000

**CODICE GRUPPO:** R8221P001

**REV.:** 3

**DESCRIZIONE:** GRUPPO POMPE COSTELLATION

**DATA INIZIO VAL.:** 05/01/2009

**DATA FINE VAL.:** 01/01/3000

**N. TAVOLA:** E8221P001/01

<b>CODICE:</b>	<b>DESCRIZIONE:</b>	<b>QTA':</b>	<b>POS:</b>	<b>RIF1:</b>	<b>RIF2:</b>
4.008.0555	TRANSPARENT HOSE	1	01		
3.100.0101	UNION TEE	1	02		
3.752.0054	PUMP ULKA 48W EP7 230/50	2	03		
3.100.0101	UNION TEE	1	04		
3.100.0135	Y CONNECTIO FOR HOSE O.6	1	05		
3.755.0069	UNIVERSAL MOTOR 230V/50HZ	2	06		
3.752.0216	CONNECTION 1/4F	1	07		
4.206.0002	BRASS COUPLING	1	09		
3.100.0134	CONNECTION D.6X1/8"M	3	10		
3.200.0100	O-RING 5X25	3	11		
4.006.0254	BY-PASS DIESEL VALVE	1	12		
3.403.0081	PRESSURE SWITCH	1	13		
3.200.0100	O-RING 5X25	3	15		
3.106.0009	GREEN DEAERATOR	2	16		
3.200.0021	OR GASKET 6,75x1,78 RIF.106	2	17		
3.200.0043	OR 6,07X1,78 REF.2025 LUBR.(MOLIKOTE/SILICONE)	4	18		
4.208.0313	L ANTIVIBRATION DEVICE FOR ULKA/CEME DETERG. PUMP PVC 70sh	4	19		
3.406.0020	TIGHT ANTI-TEARING CABLE HOLDER PG.13,5	1	20		
3.406.0004	CABLE TERMINAL PG.11	1	21		





KRÜGER TECHNOLOGY S.L.  
B-82526583  
Polígono Agustinos C/G Parcela B2  
31013 Pamplona (Navarra) - ESPAÑA  
+34 948 343 393 - info@kruger.es - www.kruger.es