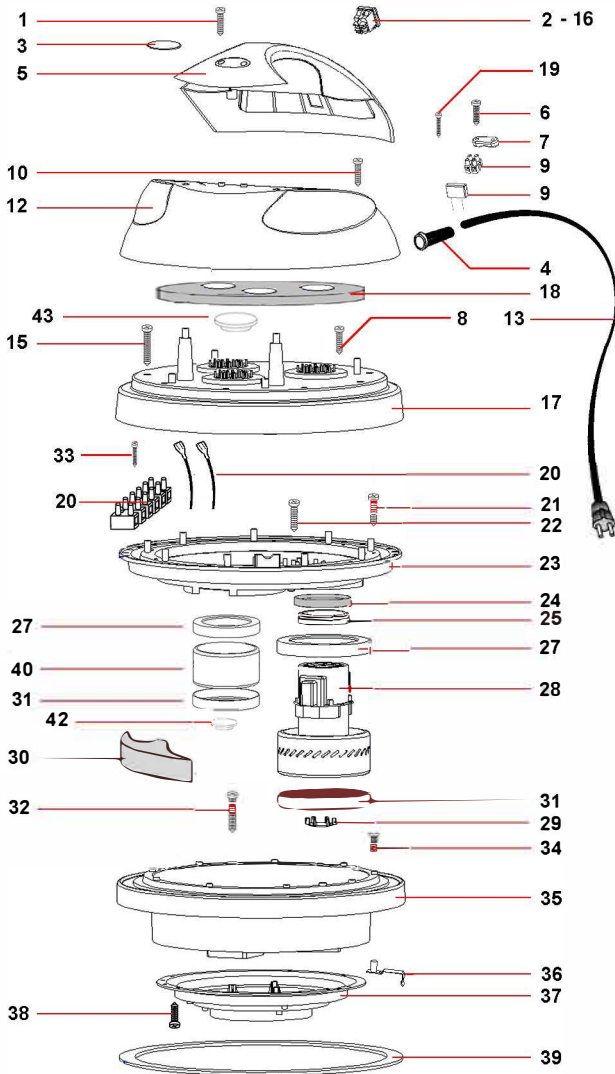
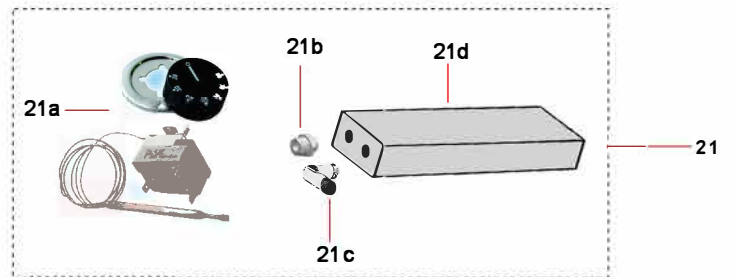
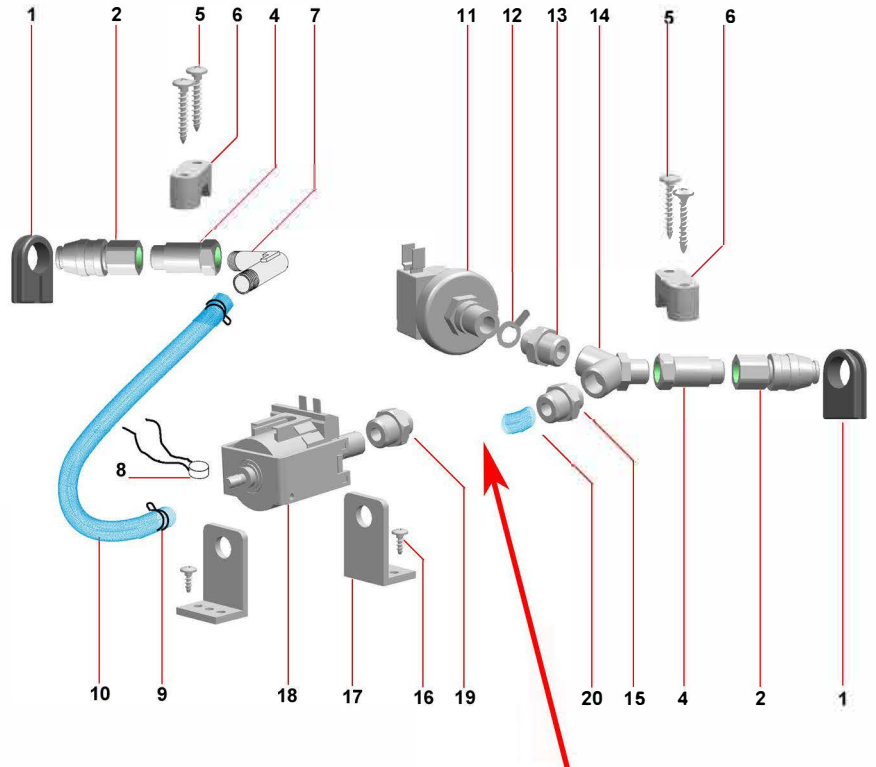


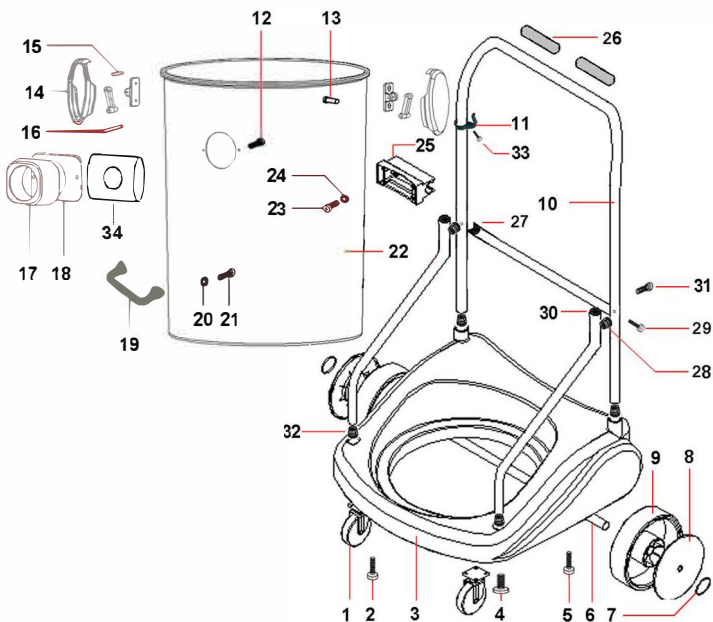
**HEAD**



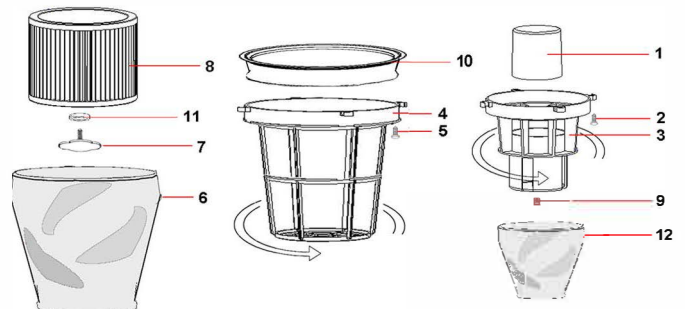
**SET PUMP**



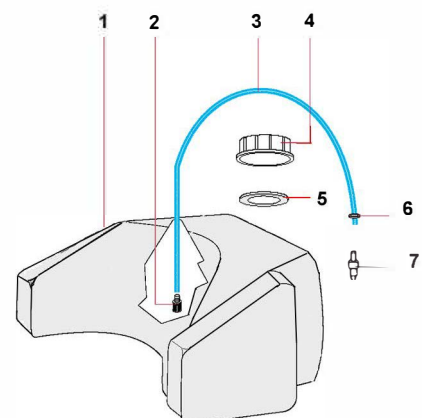
**STAINLESS STEEL TANK AND TROLLEY**



**FILTER SET**



**DETERGENT TANK 20lt**



# Despiece KRA250LTHW

HEAD			
POS.	COD.	DESCRIPTION	Q.TY
1	CVVA520ZN	Self Tipping Screw 5x20 ZN	4
2	CEIN016RB4	Red Light Switch 2P with protection	2
3	CGLO5931	Trademark ELSEA f.to 59x31,5	1
4	CGPA110	Fairlead	1
5	CPMA260F3H	Handle Ø260 ESTRO HOT	1
6	CVVA525ZN	Self Tipping Screw 5x25 TC ZN	2
7	CPFC001	Cablefix	1
8	CVVA540ZN	Self Tipping Screw 5x40 TC ZN	1
9	CEKM003/3	Kit Terminal board 3Poles 3XL300mm Ø2,5mm² 2 C+R	1
10	CVVA525ZN	Self Tipping Screw 5x25 TC ZN	4
11	/		
12	CPCO441	Cover Ø441 Exel/Verso	1
13	CECE315/8,5	Electric cable H05 3x1,5 mm² 2 L=8,5mt	1
14	/		
15	CVVA550ZN	Self Tipping Screw 5x50 TC ZN	6
16	CEIN016VB4	Green Light Switch 2P with protection	1
17	CPCM452E	Motor Cover Ø 452 Estro	1
18	CGGU370	Filter sponge Ø370mm	1
19	CVVA2919ZB	Self Tipping Screw 2,9x19 TC ZB	1
20	CEKM004/ES	Kit Terminal board 3Poles 3X2XL300mm +G/V+2B	1
21	CVVA540ZN	Self Tipping Screw 5x40 TC ZN	9
22	CVVA540ZN	Self Tipping Screw 5x40 TC ZN	3
23	CPFM444	Motor Holder D. 444	1
24	CGRO008	Washer H=8 Ø85x65	2
25	CPDA015	Motor plastic spacer ring H=15	2
26	/		
27	CGGU005L	"L" Gasket s/f h=5	3
28	MO12382BP	Motor by-pass 2 stages P1200W - PC38	2
29	CPVA050	Automatic valve Ø50	2
30	CGTF145/50	Sound absorbent triangle	3
31	CGGU003P	Gasket s/f h=3	3
32	CVVA540ZN	Self Tipping Screw 5x40 TC ZN	3
33	CVVA2919ZB	Self Tipping Screw 2,9x19 TC ZB	1
34	CVVM520TC	Metric screw M5x20	1
35	CPBM452	Double Stage Motor Base D. 452	1
36	CEPS346	Plate of ground	1
37	CPCO328	Conveyor	1
38	CVVA516ZN	Self Tipping Screw 5x16 ZN	12
39	CGGU441	Head/Tank Gasket SBR Ø 441x395x3	1
40	CPFM067	False motor Ø140 H=87mm	1
41	/		
42	CPST041	Polyethylene stopper Ø 41	1
43	CPST063	Polyethylene stopper Ø 63	1

FILTER SET WET/DRY			
POS.	COD.	DESCRIPTION	Q.TY
1	CPGA080	Float Ø80	1
2	CVVA512ZC	Self Tipping Screw 5x12 Fungo/FL ZC	4
3	CPPG188	Float Supporting D. 188	1
4	CPTF252	Filter Basket D. 252	1
5	CVVA512ZC	Self Tipping Screw 5x12 Fungo/FL ZC	6
6	FI044P	Polyester Filter Ø44 ( OPTIONAL )	1
7	CVGA820	Cartridge wingnut M8x20 (OPTIONAL)	1
8	FI250178P	Cartridge filter Polyestere Ø175 H140 (OPTIONAL)	1
9	CVIF810	Threaded insert M8 Ø10 (OPTIONAL)	1
10	CPAF442	Filtration Ring Ø442 ( OPTIONAL )	1
11	CGGU1572	Gasket NBR 15x7,8x2 mm ( OPTIONAL )	1
12	ACCA165A	Anti-foam cover	1

PUMP SET			
POS.	COD.	DESCRIPTION	Q.TY
1	CGPA020	Shaped Guiding Slit for Coupling	2
2	CMPP014OT	Threaded Socket -Female F1/4	2
3	/		/
4	CMPR051	Cylindrical Extension M1/4-F1/4 LG51	2
5	CVVA530ZN	Self Tipping Screw 5x30 TC ZN	4
6	CPCA001	Plug Fix	2
7	CMRA814L	"L" Cylindrical Connector-Male M1/4-8	1
8	CEPT012	Thermal Protector	1
9	CMFM085	Starfix 8,5-9,5	1
10	CPTU086EFL	Hydrolytic Hose PU1190 Ex.Flex 8x5 Black	1
11	CEPR110S	Pressure Switch GP110 - ESTRO HOT	1
12	CETO815	Terminal M6 Ø1,5	1
13	CMNI1418	Cylindrical Nipple M1/8-M1/4	1
14	CMRA014Y	"Y" Connector 90°-Male	1
15	CMRA614DV	Cylindrical Connector-Male M1/4-8 with Viton Gasket	1
16	CVVA530ZN	Self Tipping Screw 5x30 TC ZN	2
17	CGSU090L	"L" Support 90°	2
18	CEPO048V	Solenoid Pump U 230V	1
19	CMRA618DV	Cylindrical Connector-Male M1/8-6 with Viton Gasket	1
20	CPTU084H	Hydrolytic Hose Ø6x4 ESTRO HOT	1
21	CESE950	Kit water P 950W - ESTRO HOT	1
21a	CEPT090	Regulator Switch 90°C	1
21b	CMRA614DV	Cylindrical Connector-Male M1/4-8 with Viton Gasket	1
21c	CMRA614LV	"L" Cylindrical Connector-Male M1/4-6 with Viton Gasket	1
21d	CMRI950	Resistance P 950W	1

Detergent Tank 20 lt			
POS.	COD.	DESCRIPTION	Q.TY
1	CPSE020	Detergent Tank 20 lt	1
2	CPF008B	Filter Hose Ø8	1
3	CPTU086EFL	Hydrolytic Hose PU1190 Ex.Flex 8x5 Black	1
4	CPTF002	Black Stopper - Female G2 BSP Ø77	1
5	CGGU002	Gasket Stopper Female G2 BSP Black	1
6	CMFM085	Starfix 8,5-9,5	2
7	CMIN006OT	Connection Ø6mm	1

STAINLESS STEEL TANK AND TROLLEY			
POS.	COD.	DESCRIPTION	Q.TY
1	CPRU080	Flangeted wheel with plate Ø80	2
2	CVVA516ZN	Self Tipping Screw 5x16 TC ZN	8
3	CPCA570B	Trolley	1
4	CVVM820Z	Metric screw M8x20 Zn	1
5	CVVA540ZN	Self Tipping Screw 5x40 TC ZN	2
6	CMTU020	Wheel stand Ø20	1
7	CMBL020	Block Ø20	2
8	CPBO200NE	Wheel knob black Ø200	2
9	CPRU200	Wheel Ø200	2
10	CMMA025CR	Shackle Ø25	1
11	CPGA025	Cable wind hook	1
12	CVVA525ZN	Self Tipping Screw 5x25 TC ZN	2
13	CVR1515	Rivet 4,8x15	4
14	CPGS113	Spring Hook	2
15	CMSP424	Hook Plug D.4 L=24 mm	2
16	CMSP450	Hook Plug D.4 L=50 mm	2
17	CPBO045	Inlet	1
18	CGGU045	Gasket inlet Ø45	1
19	CPMA120P/C	Bridge handle complete M120	1
20	CPSO013	Finishing washer Ø13	2
21	CVVA630ZB	Self Tipping Screw 6x30 TC ZB	2
22	CMFU580AIB	Tank AISI 430 D.420 H.580	1
23	CVVA520ZN	Self Tipping Screw 5x20 TC ZN	4
24	CPSO010	Finishing washer Ø10	4
25	CPCRO25	Tank rollo hinge Ø25	1
26	CPIM025	Plastic handle Ø25	2
27	CPCT025	Plastic radial connector Ø25	2
28	CPDI025	Spacer Ø25	2
29	CVVA650ZB	Self Tipping Screw 6x50 TC ZB	2
30	CPTT025	Hose stopper Ø25	2
31	CVVA545ZB	Self Tipping Screw 5x45 TC ZB	2
32	CPPF825	Threaded plastic point M8 ABS Ø25	2
33	CVVM412ZN	Metric screw M4x12 ZN	1
34	CGDA060	Anti-foam device Ø60	1