



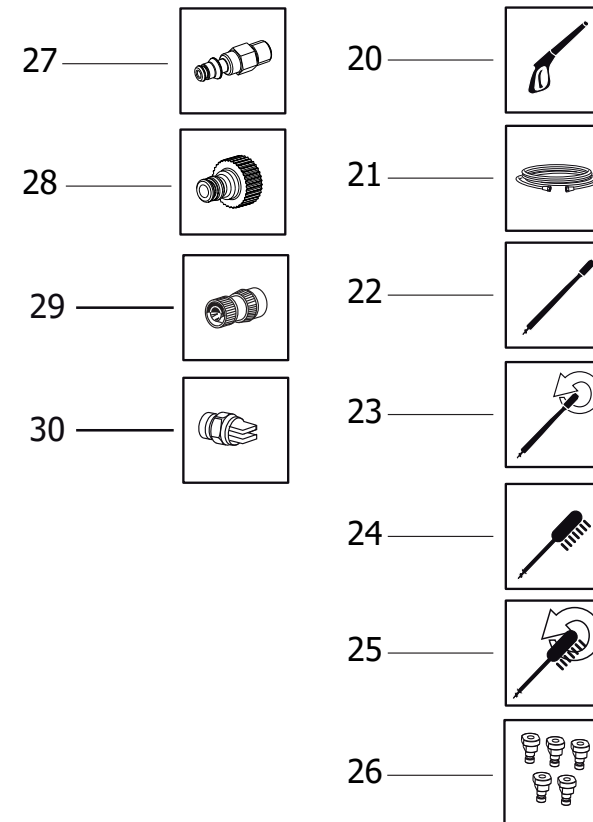
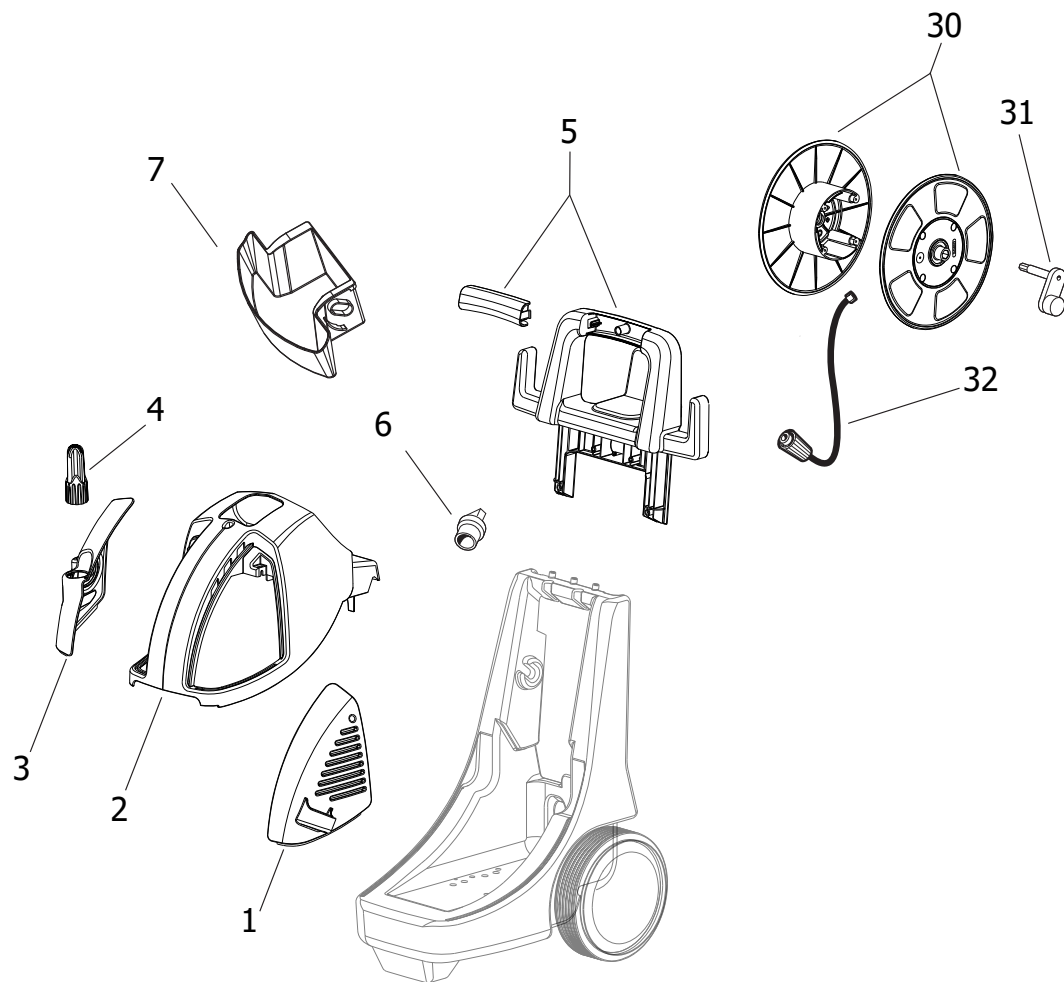
DESPIECE TÉCNICO KHL150F



8.665.0122 - KHL150F 230/50 -GRAY- +TS +ROTOX +REINF. HOSE.....	3
R86650122 - HIDRO KHL150F 230/50 -GR- TS C/TUBO ARM. LWS (SP.SCHUKO).....	4
R8665X106 - HIDRO KHL150F 4P (CL4) 230/50 B.D.F. TS (SP.SCHUKO).....	
6 R56010629 - MOTOP.LWM 230/50 4P 1507 SX C/IN.1,7 C/TS USC.M22 (CL4).....	8
R56060137 - MOTORE LWM 230/50 D.135 H130 4P ALB.CAVO PER D.90 (CENTR. MASCHIO).....	10
R56060158 - MOTORE LWM 230/50 D.135 H140 4P ALB.CAVO PER D.90.....	12
R57020042 - POMPA LW CL4 150/11 1700 SX C/IN.1,7 C/TS C/MAN. USC.M22.....	14
R50080255 - TESTATA OTT.LWS 1507 C/IN.1,7 ING.3/4-USC.M22 C/TS X FREDDO.....	16
R56090312 - KIT GRUPPO POMPA CL4 D.15 1700rpm 11lt (1508) S/OLIO.....	18
Components index.....	20

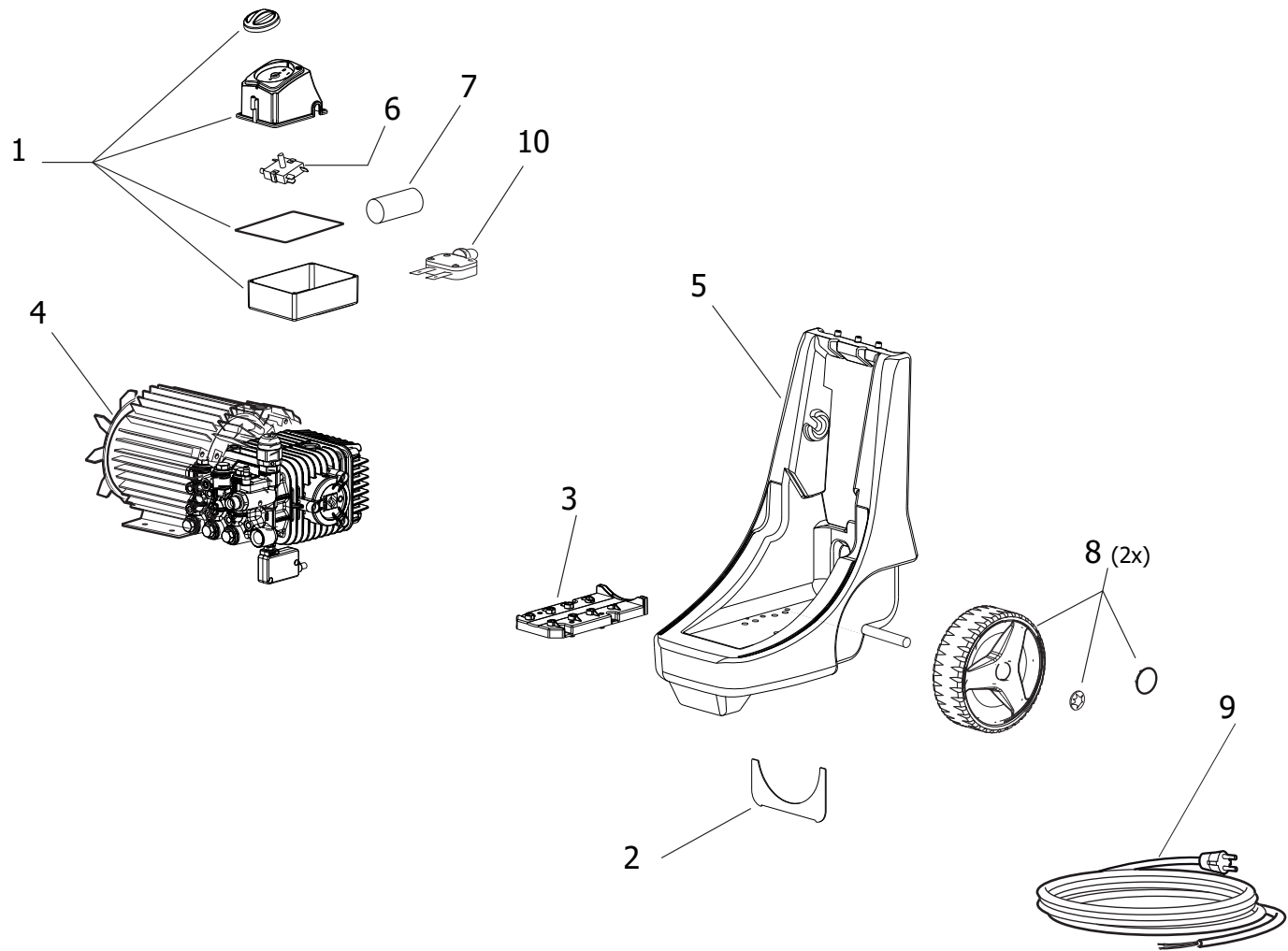
Pos.	Code	Description
0	R86650122	HIDRO KHL150F 230/50 -GR- TS C/TUBO ARM. LWS (SP.SCHUKO)

D86650001/01



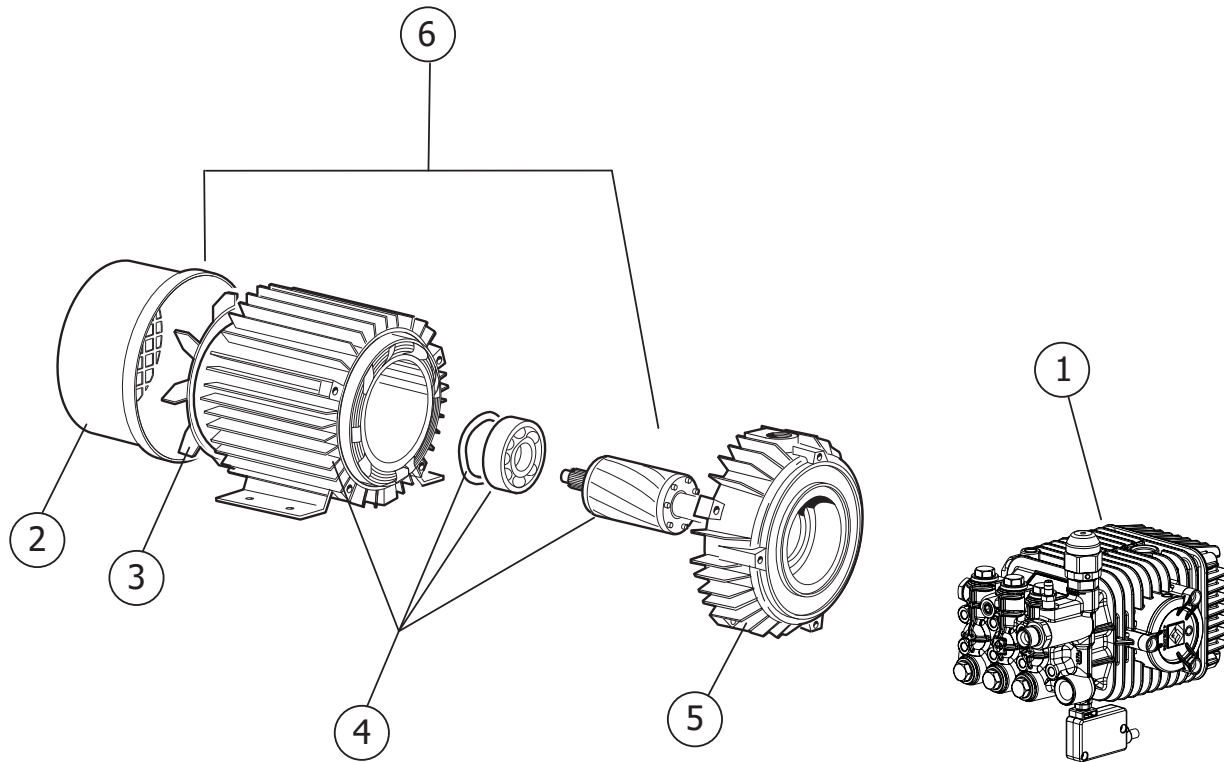
Pos.	Code	Substituted by	Q.ty	Purchasable	Min. Q.ty	For mainten.	Description
0	R8665X106		1	No			HIDRO KHL150F 4P (CL4) 230/50 B.D.F. TS (SP.SCHUKO)
001	4.613.0336		1	Yes	2		LEFT FRONT COVER CLOSED LMX LP-GREY- RAL.7046(PANT.430C)
002	4.613.0383		1	Yes	1		RED UPPER HOUSING LMX LP FOR CL4
003	4.613.0376		1	Yes	3		RIGHT FRONT COVER FOR CL4 PUMPLMX -GREY- RAL.7046(PANT.430C)
004	4.608.0314		1	Yes	6		HANDLE REGULATOR BLACK
005	6.605.0157		1	Yes	1		KIT HANDLE + COVER
006	3.099.0122		1	Yes	2		TANK CAP LMX FOR EAGLE
007	4.008.0505		1	Yes	2		BLACK PARTS HOLDER FOR EAGLE
020	3.700.0036		1	Yes	1	EXT	GUN 29Mpa-140°C-21lt/min G3/8M- M22
021	4.618.0049		1	Yes	1	EXT	HOSE 1/4 R1 210BAR L=8000 3/8"F
022	3.701.0027	3.701.0015	1	Yes	1	EXT	CONTRACTOR LANCE
028	3.100.0082		1	Yes	12		QUICK COUPLING INLET CONNECTOR(THREAD=11.5)
030	3.103.0047		1	Yes	2	ORD	HIGH PRESSURE NOZZLE 1/8"M 15030 (C25030)

D8665X002/01

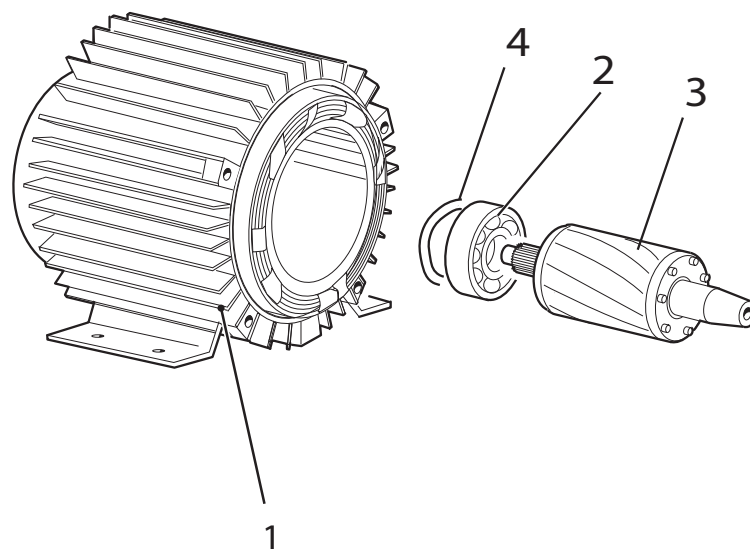


Pos.	Code	Substituted by	Q.ty	Purchasable	Min. Q.ty	For mainten.	Description
0	R56010629		1	No			MOTOP.LWM 230/50 4P 1507 SX C/IN.1,7 C/TS USC.M22 (CL4)
001	6.605.0219		1	Yes	1		KIT SCATOLA ELETTRICA MOT.125H110 C/FORO X DISG.
002	4.608.0430		1	Yes	3		D.135 MOTOR BULKHEAD -BLACK-
003	4.608.0431		1	Yes	3		D.135 MOTOR SUPPORT FOOT -BLACK-
004	5.601.0629		1	Yes	1		LWM MOTOPUMP 230/50 4P 1508 WITH INJ.1,7/TS/OUTLET M22
005	5.611.0254		1	Yes	1		ASS.CARENAT.INF.NERA +GOMMINO +TAPPO+ASSALE
006	3.401.0225		1	Yes	3		ROTARY SWITCH TWO GEARS BIPOLAR 16A (0-1) W/PIN 15
007	3.404.0098		1	Yes	1		CONDENSATORE 70mF 450V D.50X120
008	6.605.0168		1	Yes	1		WHEELS+BLOCK+COVER KIT X LKX'4-NPX'4
009	4.012.0150		1	Yes	1		CABLE H05VV-F 3X1,5 MT.5,4 F/FSCHUKO PLUG
010	3.401.0230		1	Yes	2	EXT	DISGIUNTORE AMPEROMETRICO 14A

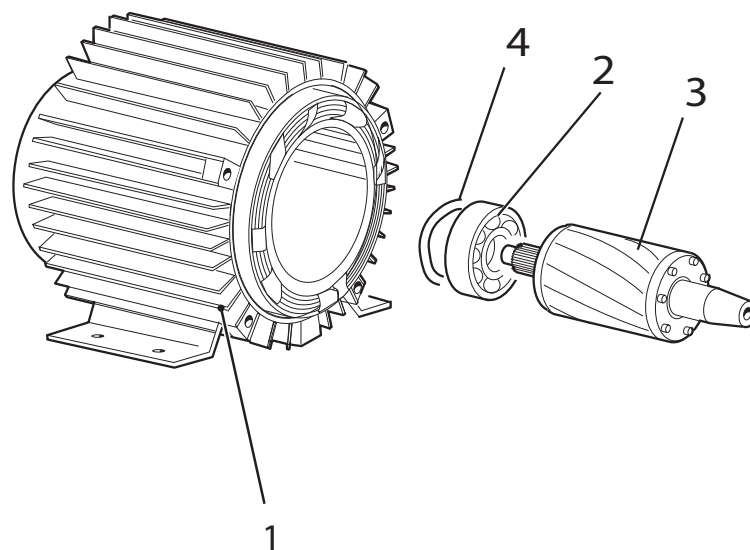
D56010004/01



Pos.	Code	Substituted by	Q.ty	Purchasable	Min. Q.ty	For mainten.	Description
0	R56060137		1	No			MOTORE LWM 230/50 D.135 H130 4P ALB.CAVO PER D.90 (CENTR. MASCHIO)
0	R56060158		1	No			MOTORE LWM 230/50 D.135 H140 4P ALB.CAVO PER D.90
0	R57020042		1	No			POMPA LW CL4 150/11 1700 SX C/IN.1,7 C/TS C/MAN. USC.M22
001	5.702.0042		1	Yes	1		PUMP LW CL4 150/11 1700 (LEFT)W/INJ.-TS-GAUGE-M22 /OUTLET
002	4.605.0105		1	Yes	1		MOTOR FLANGE
003	5.606.0158		1	Yes	1		MOTORE LWM 230/50 D.135 H140 4P ALB.CAVO PER D.90
004	3.099.1763		1	Yes	1		FAN D.162 W/CLIP AND SCREWS
005	4.608.0294		1	Yes	3		MOTOR FAN COVER FOR D.135

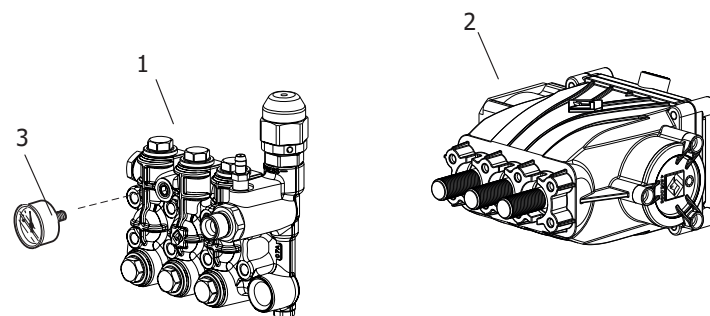


Pos.	Code	Substituted by	Q.ty	Purchasable	Min. Q.ty	For mainten.	Description
001	5.602.0060	5.606.0159	1	Yes	1		COMPLETE STATOR LWM 230/50 4PD.135 H.130
002	3.001.0001		1	Yes	2		BALL RADIAL BEARING 6204-2Z
003	5.605.0065		1	No			ROTOR SHAFT D.80 H130 4P MONOPH.
004	3.099.0002		1	Yes	12		UNLOADING RING 40X47



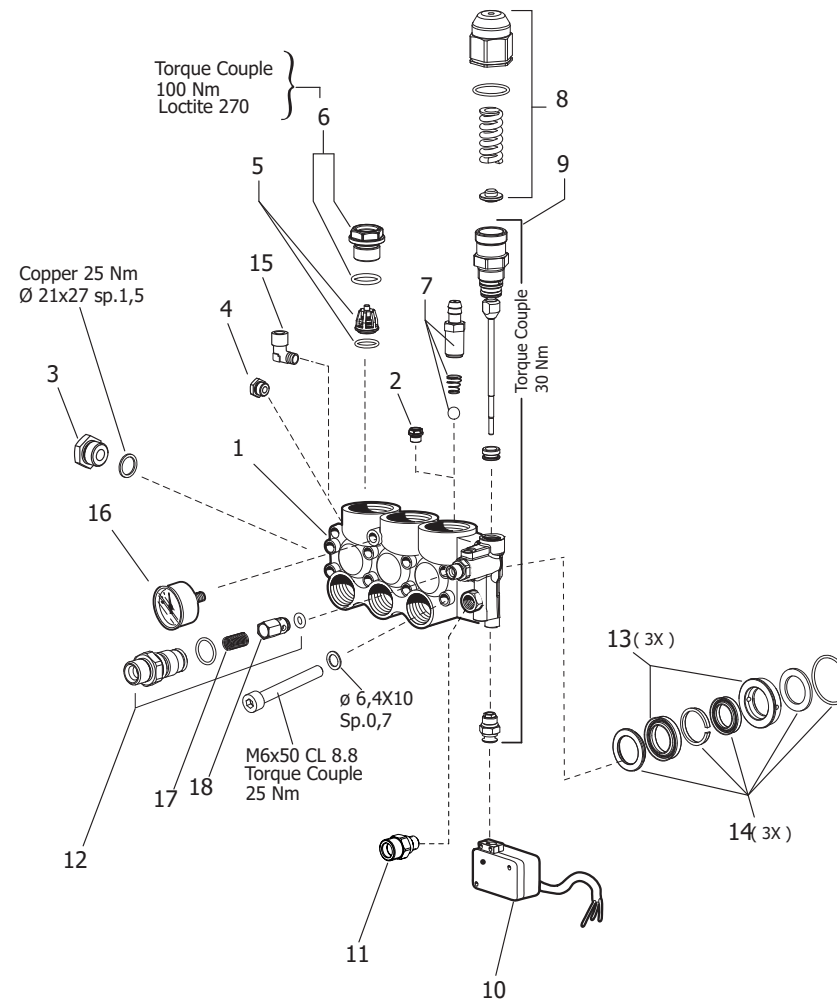
Pos.	Code	Substituted by	Q.ty	Purchasable	Min. Q.ty	For mainten.	Description
001	5.602.0076		1	Yes	1		CARCASSA LWM 230/50 4P D.135 H.140 (CENTR. MASCHIO)
002	3.001.0001		1	Yes	2		BALL RADIAL BEARING 6204-2Z
003	5.605.0076		1	No			ALBERO CAVO +ROTORE D.80 H140 4P MONOF.X POMPE D.90 C/CUSC.
003	5.605.0077		1	Yes	1		ALBERO CAVO +ROTORE D.80 H140 4P MONOF.X POMPE D.90
004	3.099.0002		1	Yes	12		UNLOADING RING 40X47

D57020002/01



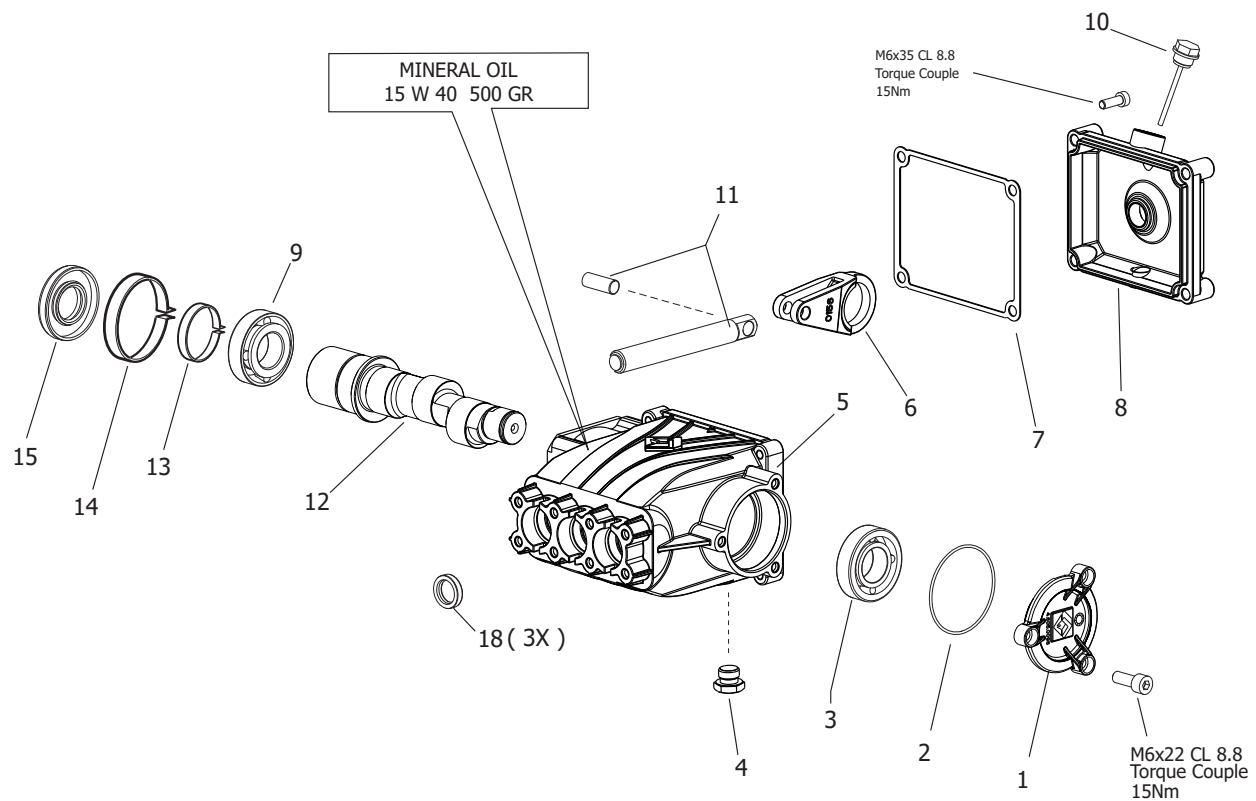
Pos.	Code	Substituted by	Q.ty	Purchasable	Min. Q.ty	For mainten.	Description
0	R50080255		1	No			TESTATA OTT.LWS 1507 C/IN.1,7 ING.3/4-USC.M22 C/TS X FREDDO
0	R56090312		1	No			KIT GRUPPO POMPA CL4 D.15 1700rpm 11lt (1508) S/OLIO
001	5.008.0255		1	Yes	1		BRASS HEAD LWS 1508 W/INJ..1,7IN.3/4-OUT.M22 W/TS
002	5.609.0312		1	Yes	1		KIT BODY GUIDE PUMP CL4-15 1700rpm 11lt
003	3.107.0006		1	Yes	1		D.40 0/300 BAR 1/8 GLYCERIN MANOMETER

D50080004/01



Pos.	Code	Substituted by	Q.ty	Purchasable	Min. Q.ty	For mainten.	Description
001	4.606.0196		1	Yes	1		HEAD
003	4.606.0161		1	Yes	2		G3/8 CAP
004	4.606.0001		1	Yes	6		1/4G CAP
005	6.005.0117		1	Yes	1	ORD	KIT 108 VALVES
006	5.009.0101		6	Yes	3		CAP VALVE SUCTION DELIVERY-ORMOUNTED
007	5.609.Y154		1	Yes	3		KIT HOSE HOLDER DETERG.SUCTIOND.1 (spring L=7 wire D.0.4-ba
008	6.005.0561		1	Yes	1		KIT TANK WAVE/AIR STEAM W/SCREWS
009	6.005.0290		1	Yes	1	EXT	BY-PASS VALVE
010	5.609.0106		1	Yes	1		BOX ASSY+MICRO+CABLE 2X1.5 CAPBRASS HEAD
011	4.605.0116		1	Yes	3		INLET CONNECTION 3/4M-3/8M WITH BRASS TREATMENT (TH.6.5)
012	5.609.0270		1	Yes	1		WATER OUTLET ASSEMBLY M22 INJ.D.1,7 W/OR
013	6.605.0089		1	Yes	1		LP BUSHING SET
014	6.005.0088		1	Yes	1	EXT	KIT 88 LW TS MOTOPUMP 230/240

D56090007/01



Pos.	Code	Substituted by	Q.ty	Purchasable	Min. Q.ty	For mainten.	Description
001	4.605.0096		1	Yes	3		COVER CRANKSHAFT -B41004-
002	3.200.0219		1	Yes	12		O-RING 44.03X3.53
003	3.001.0084		1	Yes	1		RADIAL SPHERE BEARING 25X62X17
004	4.606.0161		1	Yes	2		G3/8 CAP
005	4.605.0154C		1	Yes	1	EXT	CRANKCASE CL4-15
006	6.605.0180		1	Yes	2	EXT	COMPLETE CONNECTING ROD
008	4.605.0174C		1	Yes	1		CRANKCASE COVER ASSY CL4-15 FOR OR GASKET
009	3.001.0085		1	Yes	1		RADIAL SPHERE BEARING 6304 (20X52X15)
010	3.099.1480		1	Yes	6		OIL CAP (L=58 STICK)
011	6.605.0178		1	Yes	1	EXT	PISTON SET D.15 + WASHER + NUT
012	4.607.0569		1	Yes	1		SHAFT C=11,8
013	6.605.0211		1	Yes	2		SEEGER KIT D.28
014	6.605.0114		1	Yes	1		SEEGER KIT D.62
015	3.201.0058	6.005.0306	1	Yes	1		OIL SEAL SHAFT 25X62X10
018	6.605.0111		1	Yes	2	ORD	OIL GASKET KIT

Code	Parts Table	Pos.	Q.ty
3.001.0001	R56060137	002	1
	R56060158	002	1
3.001.0084	R56090312	003	1
3.001.0085	R56090312	009	1
3.099.0002	R56060137	004	1
	R56060158	004	1
3.099.0122	R86650122	006	1
3.099.1480	R56090312	010	1
3.099.1763	R56010629	004	1
3.100.0082	R86650122	028	1
3.103.0047	R86650122	030	1
3.107.0006	R57020042	003	1
3.200.0219	R56090312	002	1
3.201.0058	R56090312	015	1
3.401.0225	R8665X106	006	1
3.401.0230	R8665X106	010	1
3.404.0098	R8665X106	007	1
3.700.0036	R86650122	020	1
3.701.0027	R86650122	022	1
4.008.0505	R86650122	007	1
4.012.0150	R8665X106	009	1
4.605.0096	R56090312	001	1
4.605.0105	R56010629	002	1
4.605.0116	R50080255	011	1
4.605.0154C	R56090312	005	1
4.605.0174C	R56090312	008	1
4.606.0001	R50080255	004	1
4.606.0161	R50080255	003	1
	R56090312	004	1
4.606.0196	R50080255	001	1
4.607.0569	R56090312	012	1

Code	Parts Table	Pos.	Q.ty
4.608.0294	R56010629	005	1
4.608.0314	R86650122	004	1
4.608.0430	R8665X106	002	1
4.608.0431	R8665X106	003	1
4.613.0336	R86650122	001	1
4.613.0376	R86650122	003	1
4.613.0383	R86650122	002	1
4.618.0049	R86650122	021	1
5.008.0255	R57020042	001	1
5.009.0101	R50080255	006	6
5.601.0629	R8665X106	004	1
5.602.0060	R56060137	001	1
5.602.0076	R56060158	001	1
5.605.0065	R56060137	003	1
5.605.0076	R56060158	003	1
5.605.0077	R56060158	003	1
5.606.0158	R56010629	003	1
5.609.0106	R50080255	010	1
5.609.0270	R50080255	012	1
5.609.0312	R57020042	002	1
5.609.Y154	R50080255	007	1
5.611.0254	R8665X106	005	1
5.702.0042	R56010629	001	1
6.005.0088	R50080255	014	1
6.005.0117	R50080255	005	1
6.005.0290	R50080255	009	1
6.005.0561	R50080255	008	1
6.605.0089	R50080255	013	1
6.605.0111	R56090312	018	1
6.605.0114	R56090312	014	1
6.605.0157	R86650122	005	1

Code	Parts Table	Pos.	Q.ty
6.605.0168	R8665X106	008	1
6.605.0178	R56090312	011	1
6.605.0180	R56090312	006	1
6.605.0211	R56090312	013	1
6.605.0219	R8665X106	001	1