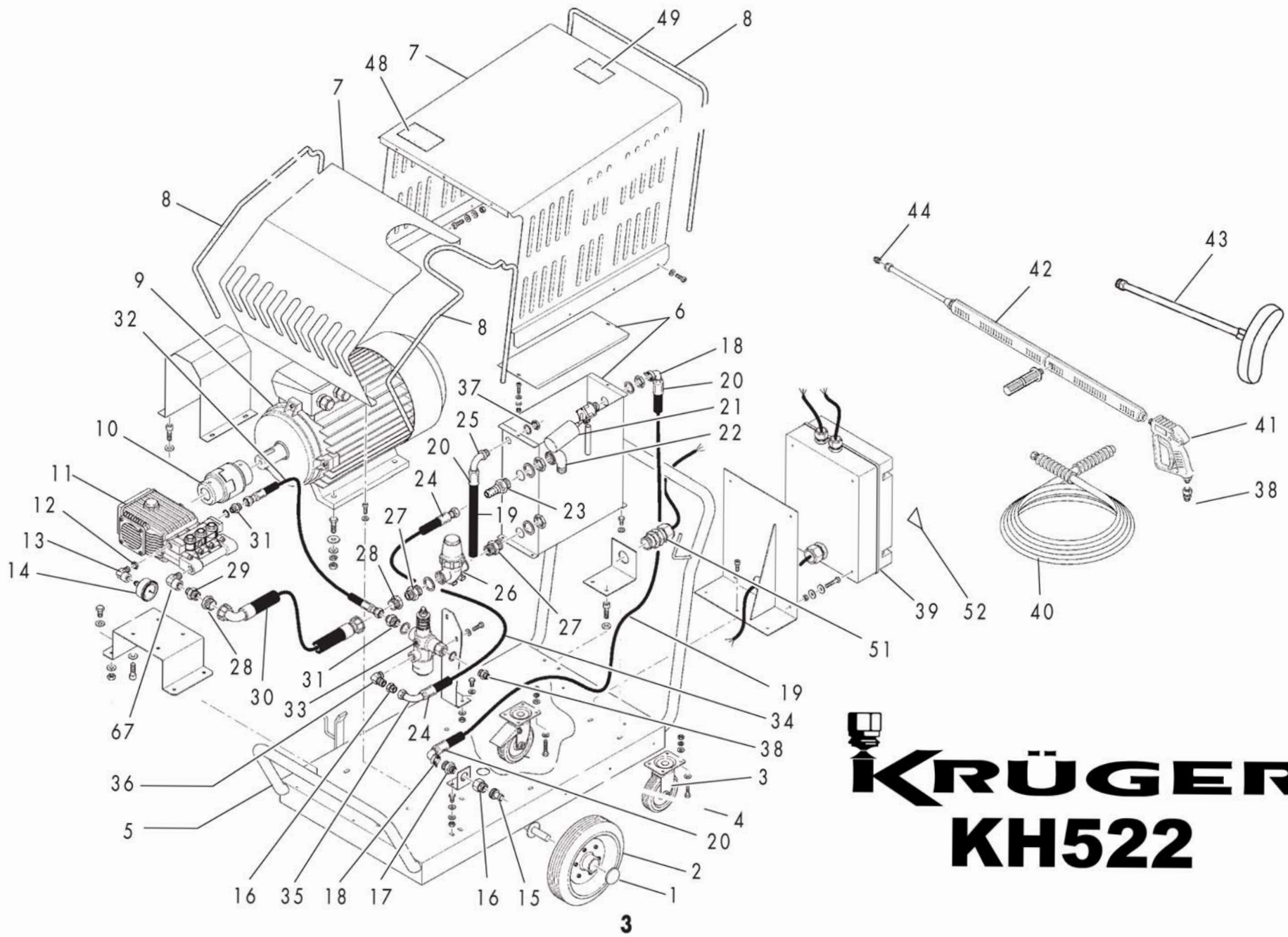




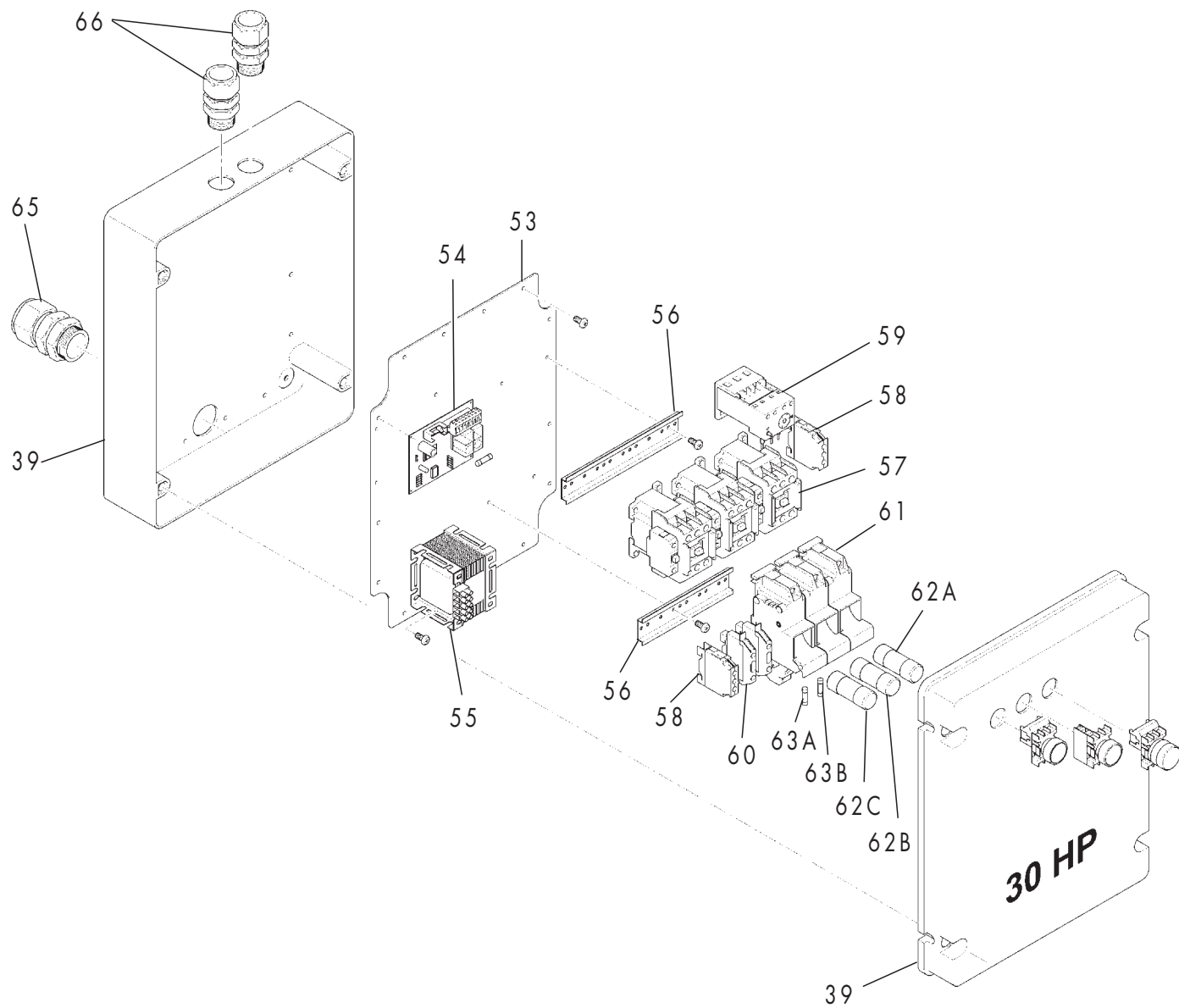
Por favor, al realizar un pedido de recambios, indique la referencia de la pieza,  
la máquina a la que pertenece, el número de página del despiece y la posición.  
Muchas gracias.





**KRÜGER®**  
**KH522**

# TAV. 2



| Pos. | Cod.       | Q.Ty | Descrizione              | Description        | Description              | Descripción            | Note                           | € |
|------|------------|------|--------------------------|--------------------|--------------------------|------------------------|--------------------------------|---|
| 1    | 1000099    | 2    | Feraruote cromato        | Wheel lock spring  | Rondelle de bloquage     | Arandela bloqueo rueda | Diam. 25                       |   |
| 2    | 1000026    | 2    | Ruota                    | Wheel              | Roue                     | Rueda                  | Diam. 280 (E/RS)               |   |
| 3    | 1000025    | 1    | Ruota girevole           | Castor wheel       | Roue tournant            | Rueda giratoria        | Diam. 140 (EPBS) girev.mozzo L |   |
| 4    | 1000028    | 1    | Ruota girevole con freno | Parking wheel      | Roue tournant avec frein | Rueda giratoria fren.  | Diam. 140                      |   |
| 5    | 5454110    | 1    | Telaio + manico          | Frame + handle     | Chassis +                | Chasis + mango         |                                |   |
| 6    | 5454013    | 1    | Vaschetta + coperchio    | Tank + lid         | Réservoir + couvercle    | Depósito + cubierta    | INOX                           |   |
| 7    | 5454000    | 1    | Scocca completa          | Complete cover     | Couvercle                | Cubierta               | INOX                           |   |
| 8    | 4000080    | ---- | Profilo per scocche      | Cover profile      | Joint pour capot         | Guarnición cubierta    | 891 mm.14 (mt. 3)              |   |
| 9    | 6500500    | 1    | Motore elettrico         | Motor              | Moteur                   | Motor                  | HP 30 (4P 400/50 B3)           |   |
| 10   | 6000483    | 1    | Giunto per motore        | Joint              | Joint                    | Junta                  | per HP 30                      |   |
| 11   | 6021286    | 1    | Pompa acqua              | Water pump         | Pompe eau                | Bomba agua             | SHP 22.50 N DX 21826           |   |
| 12   | 1000204    | 1    | Dado di fermo            | Nut                | Ecrou                    | Tuerca                 | 3/8 Art.1253                   |   |
| 13   | 1000265    | 1    | Curva ottone             | Elbow coupling     | Raccord a coude          | Empalme de codo        | 3/8M - 1/4F                    |   |
| 14   | 1000344    | 1    | Manometro                | Pressure gauge     | Manometre                | Manometro              | 1000 bar (post. 1/4)           |   |
| 15   | 1000239    | 1    | Portagomma girello       | Suction fitting    | Raccord aspiration       | Racor aspiration       | 3/4 GF17                       |   |
| 16   | 1000827    | 2    | Nipplo ridotto           | Nipple             | Nipple                   | Niplo                  | 3/4M - 1/2F                    |   |
| 17   | 1000830    | 1    | Nipplo ridotto           | Nipple             | Nipple                   | Niplo                  | 3/4M - 1/2M                    |   |
| 18   | 4400009/OT | 2    | Portagomma + guarn.      | Hose fitting       | Raccord                  | Empalme                | OT.3/4x15+guarniz.             |   |
| 19   | 4000130    | —    | Tubo gomma               | Hose               | Tuyau                    | Tubo                   | 16x23 10bar (mt. 2,10)         |   |
| 20   | 1001116    | 3    | Boccola                  | Bushing            | Boucle                   | Racor                  | Allum. 20x22                   |   |
| 21   | 6000410    | 1    | Rubinetto/galleggiante   | Float valve        | Flottant                 | Flotador               | Plastica                       |   |
| 22   | 1000445    | 1    | Curva zincata            | Elbow coupling     | Raccord a coude          | Empalme a codo         | 3/4MF                          |   |
| 23   | 1001218    | 1    | Inserto                  | Insert             | Insert                   | Cajera                 | M3/4 Tubo3/4                   |   |
| 24   | 1001105    | 2    | Boccola alluminio        | Bushing            | Boucle                   | Racor                  | 24x26                          |   |
| 25   | 4400035    | 1    | Portagomma curv.         | Hose fitting       | Raccord                  | Racor                  | 1/2x16                         |   |
| 26   | A50031     | 1    | Filtro asp.              | Filter             | Filtre                   | filtro                 | Serie 324 maxi5                |   |
| 27   | 1000432    | 2    | Nipplo zincato           | Nipple             | Nipple                   | Niplo                  | 3/4                            |   |
| 28   | 1400400    | 2    | Riduzione                | Reduction          | Reduction                | Reducción              | M1"F3/4 PVC                    |   |
| 29   | 1000427    | 1    | Nipplo ridotto           | Nipple             | Nipple                   | Niplo                  | 3/4 - 1/2 zinc.                |   |
| 30   | 7200060    | 1    | Tubo aspiraz acqua       | Water suction hose | Tuyau aspiration eau     | Tubo aspiración agua   | Raccordato                     |   |

| Pos. | Cod.      | Q.Ty | Descrizione            | Description                | Description            | Descripción            | Note                                    | € |
|------|-----------|------|------------------------|----------------------------|------------------------|------------------------|---|---|
| 31   | 1000222   | 2    | Nipplo                 | Nipple                     | Nipple                 | Niplo                  | 1/2 cilindrico - 1/2 conico             |   |
| 32   | 6450100   | 1    | Tubo                   | Hose                       | Tuyau                  | Tubo                   | 3/8 500bar (mt.1) Att.1/2" x valv.maxi5 |   |
| 33   | P60800000 | 1    | Valvola di regolazione | Pressure reg. valve        | Soupape de reglage     | Valvula de regulación  | VB16                                    |   |
| 34   | 4000131   | —    | Tubo                   | Hose                       | Tuyau                  | Tubo                   | 19x26 (mt. 0,30)                        |   |
| 35   | 1001273   | 1    | Inserto                | Insert                     | Insert                 | Cajera                 | 90° F3/4 Tubo 3/4                       |   |
| 36   | 1000255   | 1    | Curva ottone           | Elbow coupling             | Raccord a coude        | Empalme de codo        | 1/2 MM diam. 28                         |   |
| 37   | 1000791   | 1    | Controdado             | Nut                        | Ecrou                  | Tuerca                 | OT. 1/2                                 |   |
| 38   | 1000211   | 2    | Nipplo ridotto         | Nipple                     | Nipple                 | Niplo                  | 1/2 - 3/8                               |   |
| 39   | 2500500   | 1    | Quadro completo        | Complete elect. device box | Cadre electr. complete | Quadro elett. completo | 30 HP a freddo                          |   |
| 40   | 6500135   | 1    | Tubo A.P.              | H.P. hose                  | Tuyau H.P.             | Tubo A.P.              | mt. 10 3/8 500bar                       |   |
| 41   | P30500000 | 1    | Idropistola            | Gun                        | Pistolet               | Pistola                | RL80/400                                |   |
| 42   | P40016012 | 1    | Lancia                 | Lance                      | Lance                  | Lanza                  | S6 RL600 mm.1.200                       |   |
| 43   | P30501921 | 1    | Controspalla           | Arm rest                   | Crosse                 | Antiretroceso          |   |   |
| 44   | 1000300   | 1    | Ugello acqua           | Nozzle                     | Buse a eau             | Boquilla               |   |   |
| 45   | 4280005   | 2    | Adesivo                | Adhesive                   | Adhesif                | Adhesivo               | Pulitecno cm.40                         |   |
| 46   | 4000171   | 1    | Adesivo                | Adhesive                   | Adhesif                | Adhesivo               | 500bar nero/blu                         |   |
| 47   | 4400057   | 1    | Adesivo                | Adhesive                   | Adhesif                | Adhesivo               | MAXI                                    |   |
| 48   | 4280043   | 1    | Adesivo                | Adhesive                   | Adhesif                | Adhesivo               | PVC 3 col. CE istruz.                   |   |
| 49   | 5000015   | 1    | Adesivo                | Adhesive                   | Adhesif                | Adhesivo               | Dati tecnici                            |   |
| 50   | A800720   | 1    | Nipplo                 | Nipple                     | Nipple                 | Niplo                  | 3/4"x1"                                 |   |
| 51   | GW52046   | 1    | Pressacavo             | Cable gland                | Collier cable          | Prensaestopa           | M3                                      |   |
| 52   | 4280028   | 1    | Adesivo                | Adhesive                   | Adhesif                | Adhesivo               |   |   |
| 53   | -----     | 1    | Piastra                | Plate                      | Plaque                 | Placa                  |   |   |
| 54   | -----     | 1    | Scheda                 | Peb                        | Fiche                  | Tarjeta                |   |   |
| 55   | -----     | 1    | Trasformatore          | Transformer                | Transformateur         | Transformador          |   |   |
| 56   | -----     | 1    | Guida/Supporto         | Support                    | Support                | Soporte                |   |   |
| 57   | -----     | 1    | Contattore             | Contacteur                 | Contacteur             | Contacteur             |   |   |
| 58   | -----     | 1    | Bobina                 | Magnetic coil              | Bobine                 | Bobina                 |   |   |
| 59   | -----     | 1    | Interruttore termico   | Thermic switch             | Interupt. thermic      | Interruptor termico    |   |   |
| 60   | -----     | 1    | Portafusibili          | Fuse holder                | Porte fusibles         | Porta fusibles         |   |   |

| Pos. | Cod.    | Q.Ty | Descrizione   | Description          | Description     | Descripción     | Note   | € |
|------|---------|------|---------------|----------------------|-----------------|-----------------|--------|---|
| 61   | _____   | 1    | Portafusibili | Fuse holder          | Porte fusibles  | Porta fusibles  |        |   |
| 62A  | _____   | 1    | Fusibile      | Fuse                 | Fusible         | Fusible         |        |   |
| 62B  | _____   | 1    | Fusibile      | Fuse                 | Fusible         | Fusible         |        |   |
| 63A  | _____   | 1    | Fusibile      | Fuse                 | Fusible         | Fusible         |        |   |
| 63B  | _____   | 1    | Fusibile      | Fuse                 | Fusible         | Fusible         |        |   |
| 63C  | _____   | 1    | Fusibile      | Fuse                 | Fusible         | Fusible         |        |   |
| 64   | _____   | 1    | Pulsante spia | Warning light switch | Interrupteur    | Interruptór     |        |   |
| 65   | _____   | 1    | Pressacavo    | Cable gland          | Pressacable     | Prensaestopa    |        |   |
| 66   | _____   | 2    | Pressacavo    | Cable gland          | Pressacable     | Prensaestopa    |        |   |
| 67   | 1000246 | 1    | Curva ottone  | Elbow coupling       | Raccord a coude | Empalme de codo | MF 1/2 |   |



KRÜGER TECHNOLOGY S.L.  
B-82526583  
Polígono Agustinos C/G Parcela B2  
31013 Pamplona (Navarra) - ESPAÑA  
+34 948 343 393 - info@kruger.es - www.kruger.es