

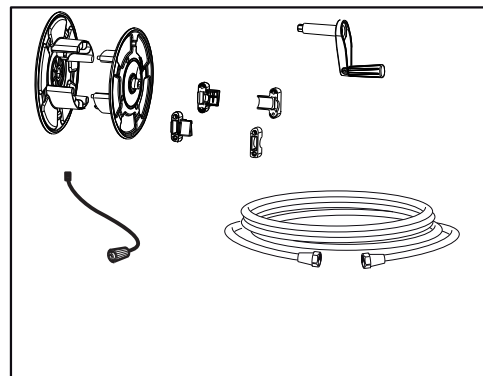
 **KRÜGER**<sup>®</sup>  
Technology S.L.



**DESPIECE KH189**

8.047.0003C - KH189 28 230-240/50 -Y/GREY-TS EU W/HOSE REEL +2 BRUSHES.....	3
R80470003C - IDRO KH189 28 230-240/50 -G/GR- TS EU C/AVV. +2 SPAZZOLE -KRÜGER.....	4
R50010938C - MOTOP.PT'03 128H110 230-240/50 12' TS IN.1,7(FIL) TEST.OTTONE.....	6
R50091103C - GRUPPO C.GUIDA C/TS 18KG-PIST.TOR.ASP.+ TEST.T.FIL.OTTONE.....	8
R50070251C - CORPO GUIDA PT'03 P.D.12 TORN. C/TS-ASP.-VALV.COMP.-M.18KG.....	10
R50080234C - TESTATA PT'03 D.12 OTT.C/TAPPI FIL.(TEN.MARRONI TELATE).....	12
R50091130 - ASS.MOTORE D.128H110 230-240/50 2P +PIATT.12'.....	14
R5Y090587 - FLANGIA ANTERIORE X PT'03 D.125H110 C/FILETTI.....	16
R50090770 - ASSIEME SEMIAVVOLG.C/OCCHIELLO'11 +TUBO mt.8.....	18
R50110213 - ASSIEME CARENATURA + FIANCHETTI -N/GR/G- KH189 C/TAMP.-KRÜGER.....	20
Components index.....	22

D80470003/01

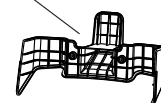


11



37

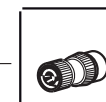
12



18



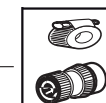
32



20



33



22



26



23



27



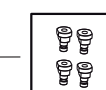
24



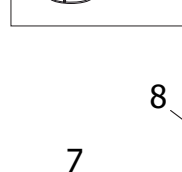
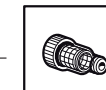
28



29

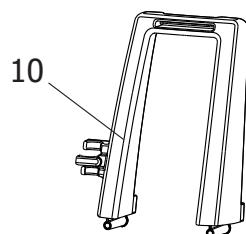


30



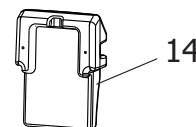
9

34



10

13



14

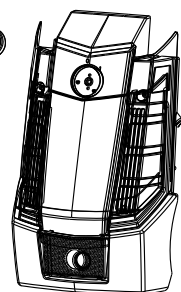
7

8

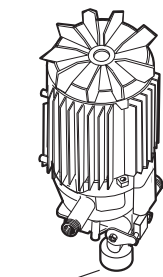
38

16

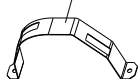
6



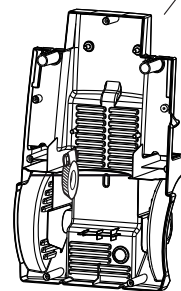
35



36



15



15

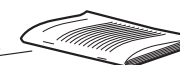


17



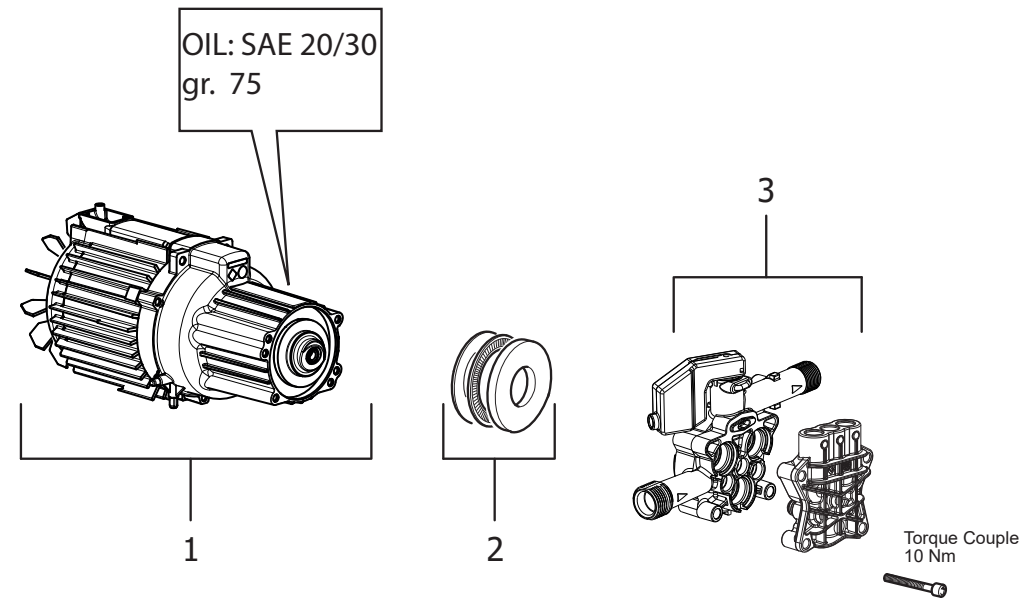
31

MANUAL



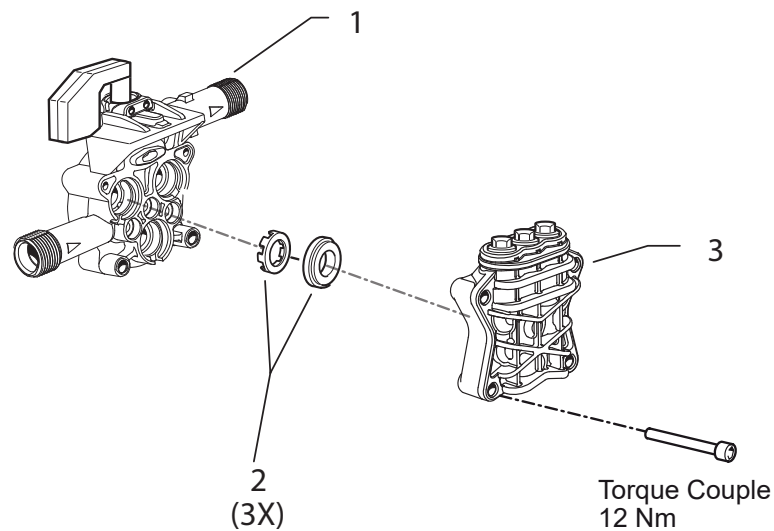
Pos.	Code	Substituted by	Q.ty	Purchasable	Min. Q.ty		For mainten.	Description
0	R50010938C		1	No				MOTOP.PT'03 128H110 230-240/50 12' TS IN.1,7(FIL) TEST.OTTONE
0	R50090770		1	No				ASSIEME SEMIAVVOLG.C/OCCHIELLO'11 +TUBO mt.8
0	R50110213		1	No				ASSIEME CARENATURA + FIANCHETTI -N/GR/G- KH189 C/ TAMP.-KRÜGER-
006	4.008.1432		1	Yes	1			BLACK SWITCH KNOB
007	3.401.0202		1	Yes	1		EXT	ROTARY SWITCH TWO GEARS BIPOLAR 16A (0-1) W/PIN 11.5
008	3.404.0095		1	Yes	1			CAPACITOR 55mF 450V D.50X94 W/FASTON M
009	4.008.1437		1	Yes	1			BLACK CAP FOR ELECTRICAL BOX KH189
010	4.008.1425		1	Yes	1			BLACK HANDLE FOR KH189
011	6.005.0579		1	Yes	1			KIT HOSE REEL KH189 28
012	4.008.1430		1	Yes	1			YELLOW CABLE REEL KH189 -PANT.108C-
013	4.008.0095		1	Yes	1			BLACK DETERGENT TANK CAP WITHHOLE D.9
014	4.008.1431		1	Yes	1			TANK FOR KH189
015	4.008.1434		2	Yes	1			BLACK/GREY COATED WHEEL KH189 -RAL.9006-
016	4.013.0639		1	Yes	1			BLACK BACK SIDE CABINET KH189
017	4.012.0150		1	Yes	1			CABLE H05VV-F 3X1,5 MT.5,4 F/FSCHUKO PLUG
018	6.001.0078		1	Yes	1		EXT	GUN S'10Y WITH QUICK CONNECTION KRÜGER
020	6.002.0645		1	Yes	1		EXT	LANCE L=500 TURNING QUICK JOINT-COGETIL FOR MULTINOZZ.
026	3.601.0033		1	Yes	1			FIX BRUSH WITH ADAPT.REINFORCED COGETIL
027	3.601.0035	3.601.0074	1	Yes	1			ROTATING HYDRO BRUSH W/HANDLE
028	3.749.0472		1	Yes	1			ROTARY NOZZLE 1/4F ALUM.THREADSIZE 035 + QUICK JOINT
029	5.012.0413		1	Yes	1			KIT 4 NOZZLES D.1,15 FOR QUICKJOINT GR.0-15-40-FOAM
030	3.100.0082C		1	Yes	1			BLACK QUICK COUPLING INLET CONNECTOR (THREAD=9.5)
031	7.100.1848		1	Yes	1			INSTRUCTION MANUAL KH189 KRÜGER
034	4.008.0922		1	Yes	1			COVER FOR MOTOR FAN (MOTOR'96)
035	5.011.0213		1	Yes	1			ASSEMBLY COVER+FRONTAL AND LATERAL COVERS KH189 W/TAMPLAV
036	5.001.0938C		1	Yes	1		EXT	MOTOP.PT'03 128H110 230-240/50 12' TS IN.1,7(FIL) TEST.OTTONE

D50010938C/01



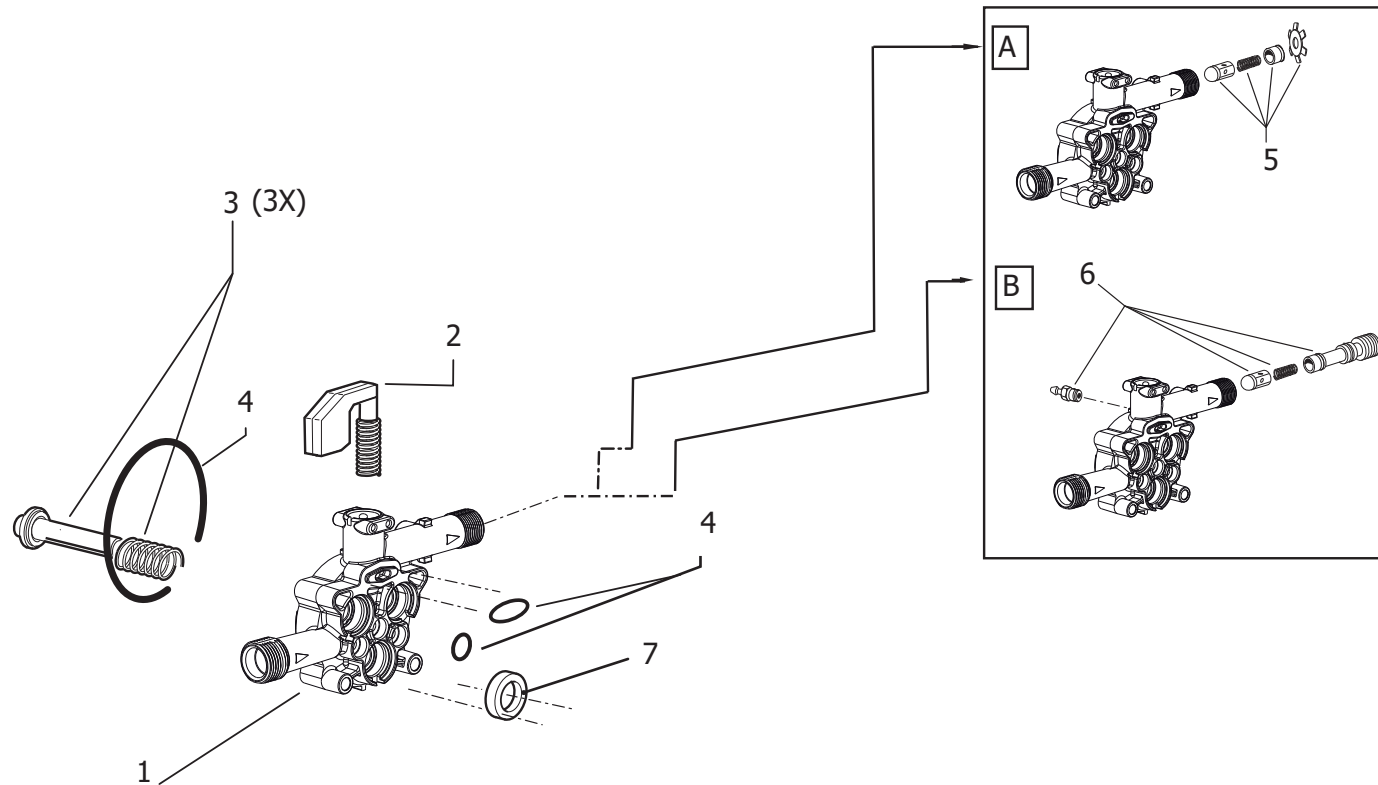
Pos.	Code	Substituted by	Q.ty	Purchasable	Min. Q.ty	For mainten.	Description
0	R50091103C		1	No			GRUPPO C.GUIDA C/TS 18KG-PIST.TOR.ASP. +TEST.T.FIL.OTTONE
0	R50091130		1	No			ASS.MOTORE D.128H110 230-240/50 2P +PIATT.12'
001	5.009.1130		1	Yes	1		ASS.MOTORE D.128H110 230-240/50 2P +PIATT.12'
002	4.007.0416		1	Yes	1	EXT	THRUST BEARING 35X58X12 PT'03(180BAR)
003	5.009.1103C		1	Yes	1	EXT	GRUPPO C.GUIDA C/TS 18KG-PIST.TOR.ASP. +TEST.T.FIL.OTTONE

D50090010/01

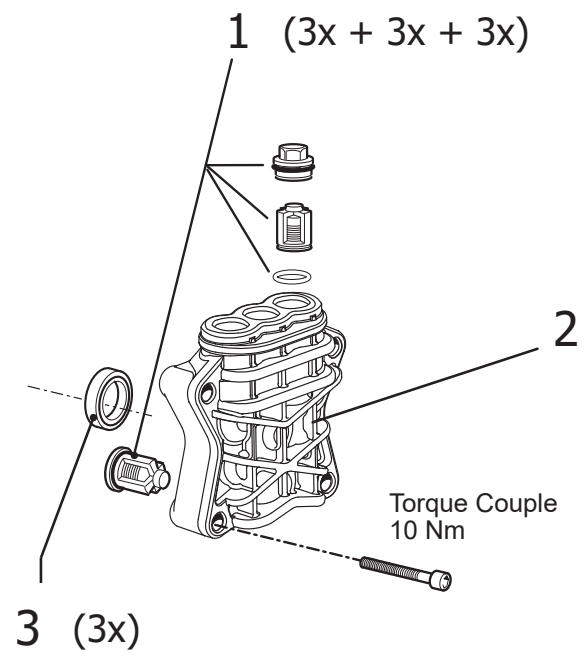


Pos.	Code	Substituted by	Q.ty	Purchasable	Min. Q.ty		For mainten.	Description
0	R50070251C		1	No				CORPO GUIDA PT'03 P.D.12 TORN. C/TS-ASP.-VALV.COMP.-M.18KG
0	R50080234C		1	No				TESTATA PT'03 D.12 OTT.C/TAPPI FIL.(TEN.MARRONI TELATE)
001	5.007.0251C		1	Yes	1			PISTON BODY GUIDE PT'03 W-TS/COMP.VALVE/SPR.17KG/SUCTION -C-
002	6.005.0282		1	Yes	1			KIT 257 O-RING SEAL
003	5.008.0234C		1	Yes	1			TESTATA PT'03 D.12 OTT.C/TAPPI FIL.(TEN.MARRONI TELATE)

D50070001/01



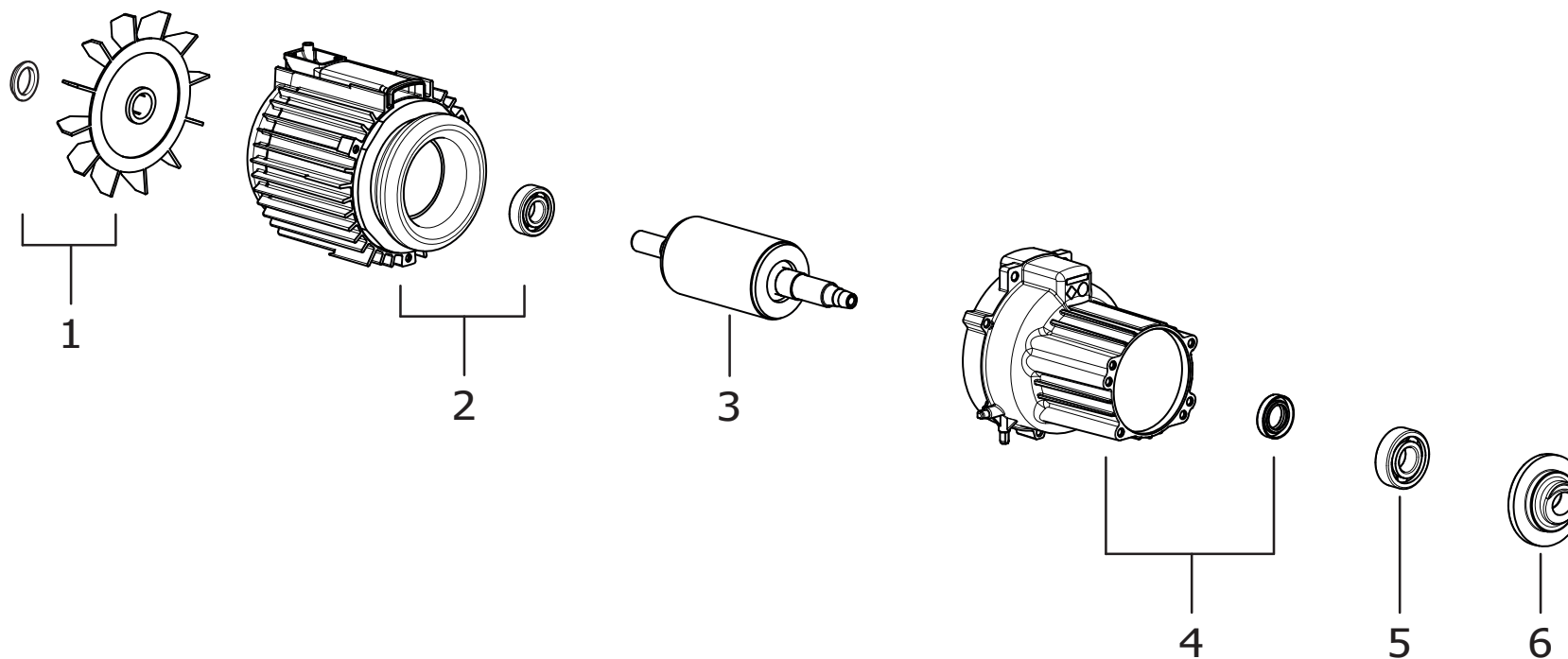
Pos.	Code	Substituted by	Q.ty	Purchasable	Min. Q.ty		For mainten.	Description
001	4.005.0263C	4.005.0263	1	Yes	1			PISTON BODY GUIDE PT'03 WITH SUCTION VALVE
002	5.009.1065C		1	Yes	1			ASSIEME V.COMP. C/TS PT'03 CAVO L=530 MOLLA 18KG
003	6.005.0181		1	Yes	1		EXT	KIT 167 LW PISTON
004	6.005.0226		1	Yes	1		ORD	KIT 209 O-RING
006	6.005.0277		1	Yes	1		EXT	KIT 252
007	6.005.0079		1	Yes	1		ORD	KIT 79 LW OIL SEALS



Pos.	Code	Substituted by	Q.ty	Purchasable	Min. Q.ty		For mainten.	Description
001	6.005.0315		1	Yes	1			KIT 287 SUCTION/DELIVERY VALVE+ BRASS THREAD CAPS PT'03
002	4.006.0340		1	Yes	1			BRASS HEAD
003	6.005.0133		1	Yes	1		ORD	KIT 124 O-RING WATER SEAL PARTNER D.12

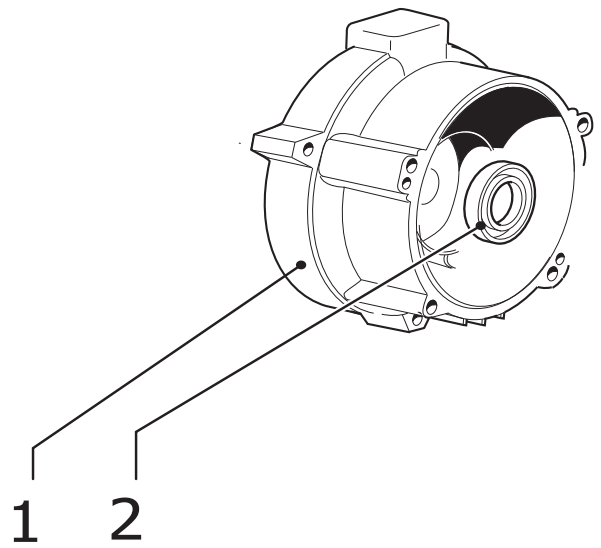


D50091130/01

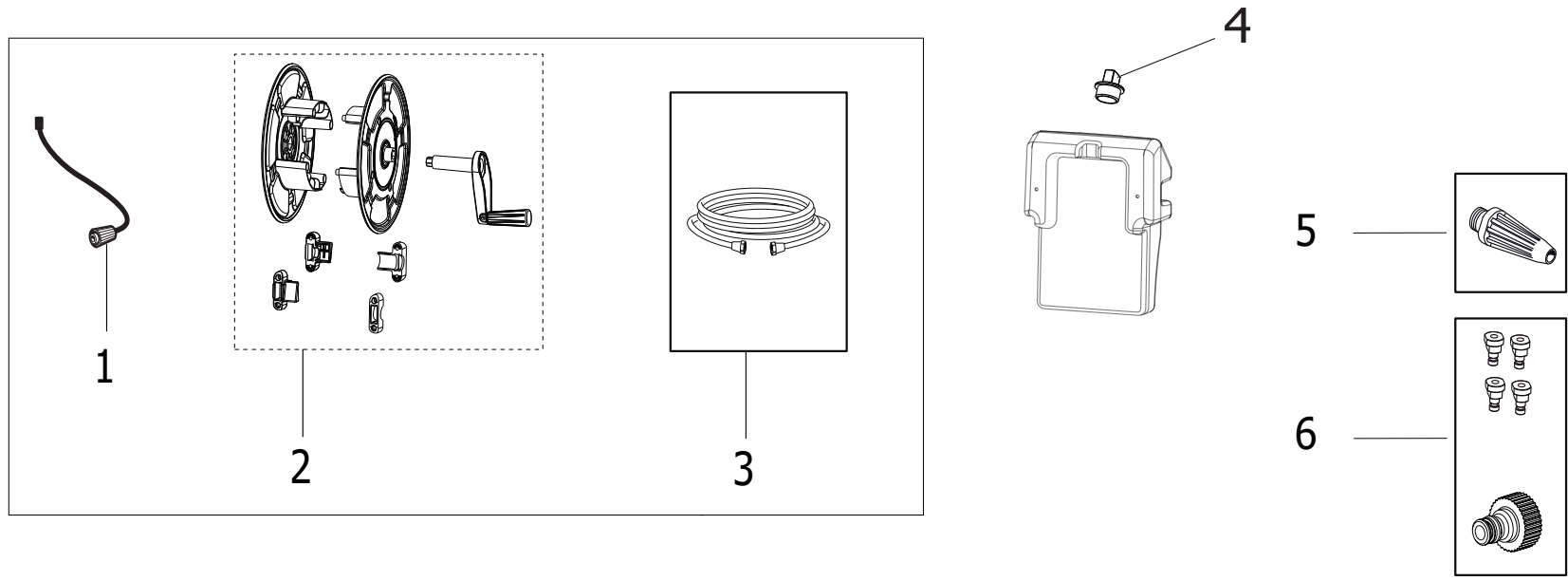


Pos.	Code	Substituted by	Q.ty	Purchasable	Min. Q.ty		For mainten.	Description
0	R5Y090587		1	No				FLANGIA ANTERIORE X PT'03 D.125H110 C/FILETTI
001	6.005.0618		1	Yes	1			KIT VENTOLA + ANELLO PER MOTORE D.128
002	5.002.0155		1	Yes	1			CARCASSA D.128H110 230-240/50
003	5.005.0078		1	No				ALBERO ROTORE D.65 H.110 X MOT.128 PT'03
004	5.Y09.0587		1	Yes	1			FLANGE FOR PT'03 D.125H110 W/THREADS
005	3.001.0002		1	Yes	1			BALL OBLIQUE
006	4.005.0225		1	Yes	1			INCLINATED PLATE 12 DEGREE X PT'03

D50090003/01

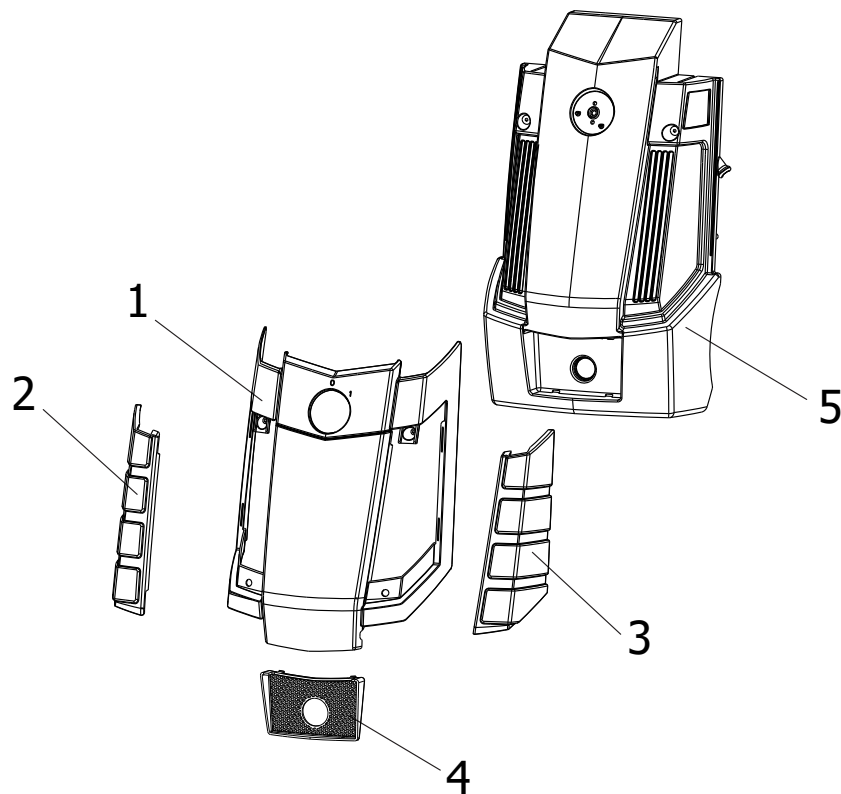


Pos.	Code	Substituted by	Q.ty	Purchasable	Min. Q.ty		For mainten.	Description
001	4.Y05.0226		1	No				FRONT FLANGE MOTOR D.125H110 PT'03 W/THREAD
002	3.201.0001		1	Yes	1			OIL SEAL 20/35/6/6,5 BABSL



Pos.	Code	Substituted by	Q.ty	Purchasable	Min. Q.ty	For mainten.	Description
001	4.018.0101		1	Yes	1	EXT	1/4 HOSE 225BAR L=810 FOR CONNECTION HOSE REEL/ MOTORPUMP
002	6.005.0424		1	Yes	1		KIT 369 HOSE REEL FOR KH189
003	4.018.0102		1	Yes	1	EXT	HOSE 1/4 225BAR L=8000 INTEGRAL COUPLING-QUICK COUPLING FOR

D50110003/01



Pos.	Code	Substituted by	Q.ty	Purchasable	Min. Q.ty	For mainten.	Description
001	4.008.1467		1	Yes	1		GREY FRONTAL COVER KH189 -RAL.7005- W/ TAMOPRINTING KRÜGER
002	4.008.1428		1	Yes	1		YELLOW LATERAL LEFT SHELL KH189 -PANT.108C-
003	4.008.1427		1	Yes	1		YELLOW LATERAL RIGHT SHELL KH189 -PANT.108C-
004	4.008.1429		1	Yes	1		GREY LOW FRONTAL COVER KH189-RAL.9006-
005	4.013.0640		1	Yes	1		BLACK FRONT SIDE CABINET KH189

KH189 28 230-240/50 -Y/GREY-TS EU W/HOSE REEL +2 BRUSHES - Content filters: validity 09/01/2020

**R50110213 - ASSIEME CARENATURA + FIANCHETTI -N/GR/G- KH189 C/TAMP.-KRÜGER-**

Validity: from 01/04/2015 to 31/12/9999

Code	Parts Table	Pos.	Q.ty
3.001.0002	R50091130	005	1
3.100.0082C	R80470003C	030	1
3.201.0001	R5Y090587	002	1
3.401.0202	R80470003C	007	1
3.404.0095	R80470003C	008	1
3.601.0033	R80470003C	026	1
3.601.0035	R80470003C	027	1
3.749.0472	R80470003C	028	1
4.005.0225	R50091130	006	1
4.005.0263C	R50070251C	001	1
4.006.0340	R50080234C	002	1
4.007.0416	R50010938C	002	1
4.008.0095	R80470003C	013	1
4.008.0922	R80470003C	034	1
4.008.1425	R80470003C	010	1
4.008.1427	R50110213	003	1
4.008.1428	R50110213	002	1
4.008.1429	R50110213	004	1
4.008.1430	R80470003C	012	1
4.008.1431	R80470003C	014	1
4.008.1432	R80470003C	006	1
4.008.1434	R80470003C	015	2
4.008.1437	R80470003C	009	1
4.008.1467	R50110213	001	1
4.012.0150	R80470003C	017	1
4.013.0639	R80470003C	016	1
4.013.0640	R50110213	005	1
4.018.0101	R50090770	001	1
4.018.0102	R50090770	003	1
4.Y05.0226	R5Y090587	001	1
5.001.0938C	R80470003C	036	1

Code	Parts Table	Pos.	Q.ty
5.002.0155	R50091130	002	1
5.005.0078	R50091130	003	1
5.007.0251C	R50091103C	001	1
5.008.0234C	R50091103C	003	1
5.009.1065C	R50070251C	002	1
5.009.1103C	R50010938C	003	1
5.009.1130	R50010938C	001	1
5.011.0213	R80470003C	035	1
5.012.0413	R80470003C	029	1
5.Y09.0587	R50091130	004	1
6.001.0078	R80470003C	018	1
6.002.0645	R80470003C	020	1
6.005.0079	R50070251C	007	1
6.005.0133	R50080234C	003	1
6.005.0181	R50070251C	003	1
6.005.0226	R50070251C	004	1
6.005.0277	R50070251C	006	1
6.005.0282	R50091103C	002	1
6.005.0315	R50080234C	001	1
6.005.0424	R50090770	002	1
6.005.0579	R80470003C	011	1
6.005.0618	R50091130	001	1
7.100.1848	R80470003C	031	1