



DESPIECE TÉCNICO

HIDROLIMPIADORA

KH1510F



Idropulitrice 10-150 50Hz 2.2kW

High Pressure Washer 10-150 50Hz 2.2kW

Hochdruck Reiniger 10-150 50Hz 2.2kW

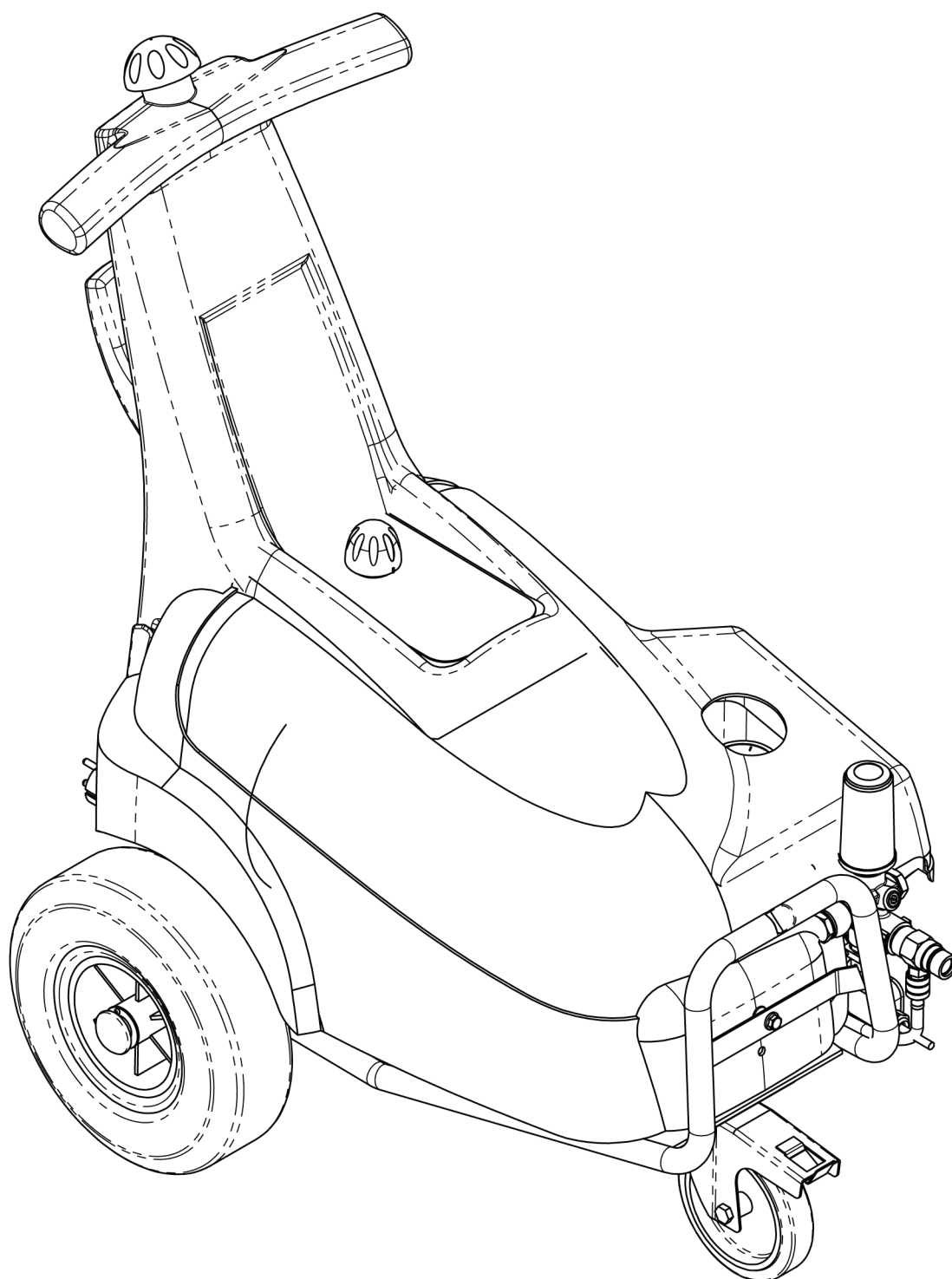
Nettoyeuse haute Pression 10-150 50Hz 2.2kW

Hidrolimpiadora 10-150 50Hz 2.2kW

 **KRÜGER®**

KH1510F

DESPIECE



3.023.14.225 .A

Idropulitrice 10-150 50Hz 2.2kW

High Pressure Washer 10-150 50Hz 2.2kW

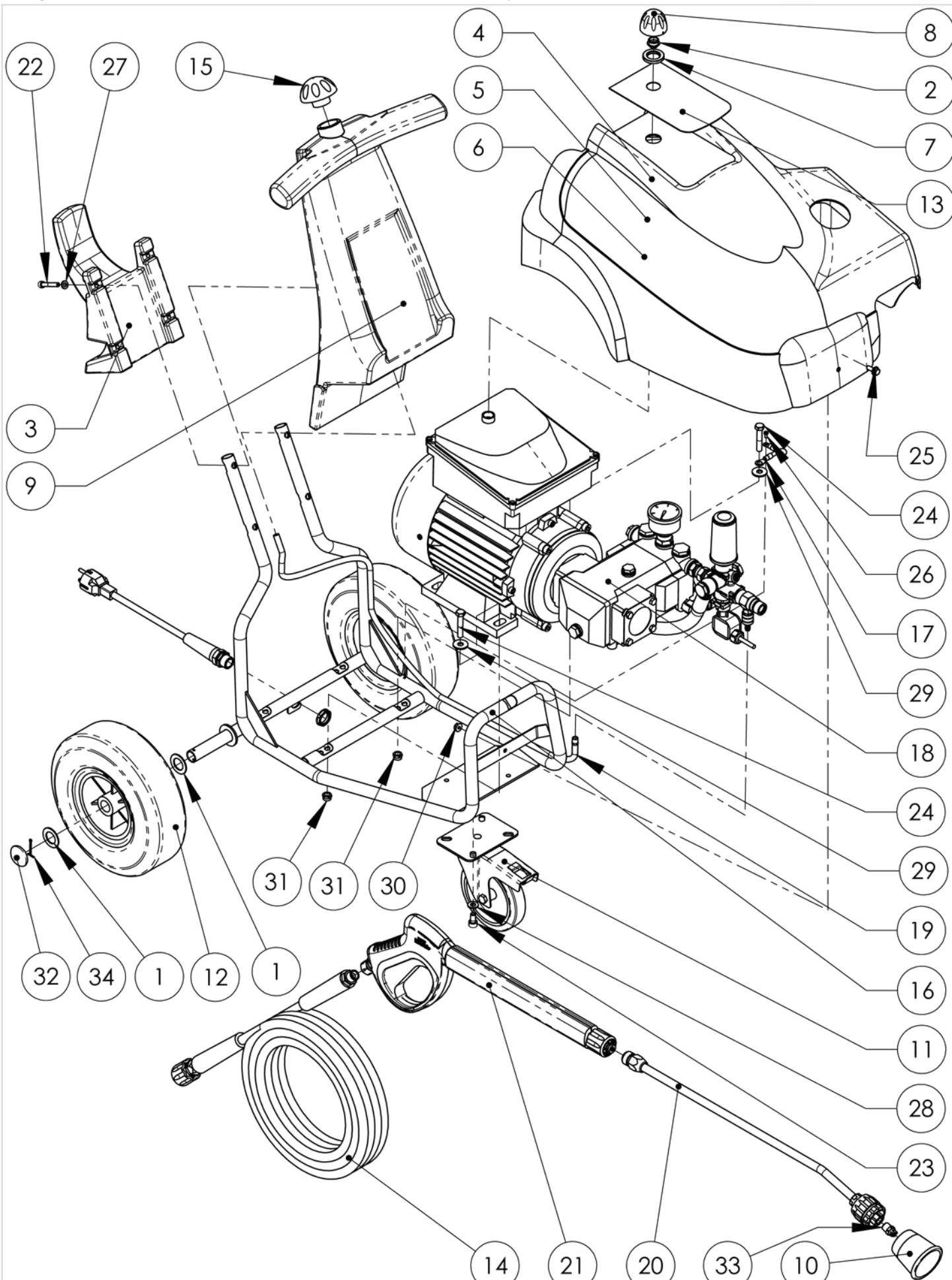
Hochdruck Reiniger 10-150 50Hz 2.2kW

Nettoyeuse haute Pression 10-150 50Hz 2.2kW

Hidrolimpiadora 10-150 50Hz 2.2kW

KRÜGER

KH1510F



3.023.14.225 .A

Idropulitrice 10-150 50Hz 2.2kW

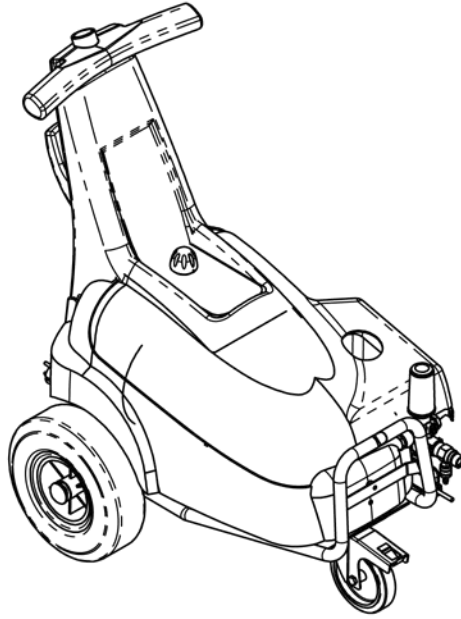
High Pressure Washer 10-150 50Hz 2.2kW

Hochdruck Reiniger 10-150 50Hz 2.2kW

Nettoyeuse haute Pression 10-150 50Hz 2.2kW

Hidrolimpiadora 10-150 50Hz 2.2kW

KRÜGER
KH1510F



3.023.14.225.A

Pos.	Q.tà	Cod.	ITALIANO	ENGLISH	DEUTSCH	ESPAÑOL	FRANCAIS
1	4	1.003.04.014	Rondella ø35xø20x1.5	Washer ø35xø20x1.5	Unterlegscheibe ø35xø20x1.5	Arandela ø35xø20x1.5	Rondelle ø35xø20x1.5
2	1	1.006.14.012	Guarnizione	Gasket	Verzierung	Guarnición	Garniture
3	1	1.011.04.045	Supporto per accessori	Support for accessories	Unterstützung für Zusatzgeräte	Ayuda para los accesorios	Supporte pour des accessoires
4	1	1.014.14.053	Scocca Blu KC3005-KC3055	Blue Cover KC3005-KC3055	Blauer Abdeckung KC3005-KC3055	Tapa Azul KC3005-KC3055	Copot Bleu KC3005-KC3055
5	1	1.014.14.056	Scocca Gialla KC3005-3055	Yellow Cover KC3005-3055	Gelb Abdeckung KC3005-3055	Tapa Amarillo KC3005-3055	Copot Jaune KC3005-3055
6	1	1.014.14.057	Scocca Rossa KC3005-3055	Red Cover KC3005-3055	Rot Abdeckung KC3005-3055	Tapa rojo KC3005-3055	Copot rouge KC3005-3055
7	1	1.015.24.004	Ghiera	Ferrule	Zwinge	Abrazadera	Embout
8	1	1.021.04.007	Manopla ø43	Hand Grip ø43	Griff ø43	Pomo ø43	Poignée ø43
9	1	1.033.04.013	Serbatoio manubrio	Detergent tank	Behälter	Tanque manivela	Reservoir
10	1	1.046.02.015	Protezione	Protection	Schutz	Protección	Protection
11	1	1.086.04.003	Ruota girevole PK125R	Revolving wheel PK125R	Drehbares Rad PK125R	Rueda giratoria PK125R	Roue pivotante PK125R
12	2	1.086.04.007	Ruota	Wheel	Rad	Rueda	Roue
13	1	1.087.04.073	Etichetta ON-OFF	Label ON-OFF	Etiket ON-OFF	Etiqueta ON-OFF	Étiquette ON-OFF
14	1	2.006.24.039	Tubo 5/16 400Bar L=1600	Pipe 5/16 400Bar L=1600	Rohr 5/16 400Bar L=1600	Tubo 5/16 400Bar L=1600	Tuyau 5/16 400Bar L=1600
15	1	2.013.04.006	Tappo	Cap	Deckel	Tapón	Bouchon
16	1	2.015.04.010	Telaio KC3005-4055	Frame KC3005-4055	Rahmen KC3005-4055	Estructura KC3005-4055	Chassis KC3005-4055
17	1	2.020.14.002	Cavo elettrico ø4 L150	Power cable ø4 L150	Energie kabel ø4 L150	Cable eléctrico ø4 L150	Cable électrique ø4 L150
18	1	2.034.14.047	Motopompa + Quadro elettrico KC3000 230V50Hz	Motorpump + Electric pannel KC3000 230V50Hz	Motorpumpe + Schalttafel KC3000 230V50Hz	Motobomba + Cuadro eléctrico KC3000 230V50Hz	Motopompe + Cadre électrique KC3000 230V50Hz
19	1	2.074.04.018	Tubo VITREX ø6xø9x1000	Pipe VITREX ø6xø9x1000	Rohr VITREX ø6xø9x1000	Tubo VITREX ø6xø9x1000	Tuyau VITREX ø6xø9x1000
20	1	3.020.22.021	Prolunga + Testina Regolabile L=500	Extension and Adjustable head L=500	Verlängerung und Einstellbarer Kopf L=500	Prolongacion + Cabeza regulable L=500	Rallonge + Tête réglable L=500
21	1	3.021.22.003	Pistola + Impugnatura "LASER" G3/8" F Sweevel	Trigger Gun + Grip "LASER" G3/8" F Sweevel	Pistole + Handgriff "LASER" G3/8" F Sweevel	Pistola + Empunadura "LASER" G3/8" F Sweevel	Pistolet + Branche "LASER" G3/8" F Sweevel
22	4	4.002.14.004	Vite M6x40 UNI5931	Screw M6x40 UNI5931	Schrauben M6x40 UNI5931	Tornillo M6x40 UNI5931	Vis M6x40 UNI5931
23	4	4.002.14.014	Vite M8x16 UNI5931	Screw M8x16 UNI5931	Schrauben M8x16 UNI5931	Tornillo M8x16 UNI5931	Vis M8x16 UNI5931
24	3	4.002.44.007	Vite M8x45 UNI5737	Screw M8x45 UNI5737	Schrauben M8x45 UNI5737	Tornillo M8x45 UNI5737	Vis M8x45 UNI5737
25	1	4.002.44.019	Vite Din 6921 M6x16	Screw Din 6921 M6x16	Schrauben Din 6921 M6x16	Tornillo Din 6921 M6x16	Vis Din 6921 M6x16
26	1	4.002.94.016	Vite M3.5x8 UNI8112	Screw M3.5x8 UNI8112	Schrauben M3.5x8 UNI8112	Tornillo M3.5x8 UNI8112	Vis M3.5x8 UNI8112
27	4	4.008.02.001	Rondella M6 UNI6593	Washer M6 UNI6593	Unterlegscheibe M6 UNI6593	Arandela M6 UNI6593	Rondelle M6 UNI6593
28	4	4.008.04.002	Rondella M8 UNI6592	Washer M8 UNI6592	Unterlegscheibe M8 UNI6592	Arandela M8 UNI6592	Rondelle M8 UNI6592
29	4	4.008.24.002	Rondella ø8.5x24x2.5 6593	Washer ø8.5x24x2.5 6593	Unterlegscheibe ø8.5x24x2.5 6593	Arandela ø8.5x24x2.5 6593	Rondelle ø8.5x24x2.5 6593
30	1	4.009.04.007	Dado M6 DIN6923	Nut M6 DIN6923	Mutter M6 DIN6923	Dado M6 DIN6923	Ecrou M6 DIN6923
31	4	4.009.12.001	Dado M8 UNI7474	Nut M8 UNI7474	Mutter M8 UNI7474	Dado M8 UNI7474	Ecrou M8 UNI7474
32	2	4.025.04.010	Seeger C ø20	Seeger C ø20	Seeger C ø20	Seeger C ø20	Seeger C ø20
33	1	4.027.02.028	Ugello 15040 1/4MAG	Nozzle 15040 1/4MAG	Duse 15040 1/4MAG	Boquilla 15040 1/4MAG	Buse 15040 1/4MAG
34	2	4.044.04.003	Copiglia ø2.5X30 UNI1336	Spit-pin ø2.5X30 UNI1336	Splint ø2.5X30 UNI1336	Chaveta ø2.5X30 UNI1336	Goupille ø2.5X30 UNI1336

Motopompa + Quadro elettrico 230V50Hz

Motorpump + Electric pannel 230V50Hz

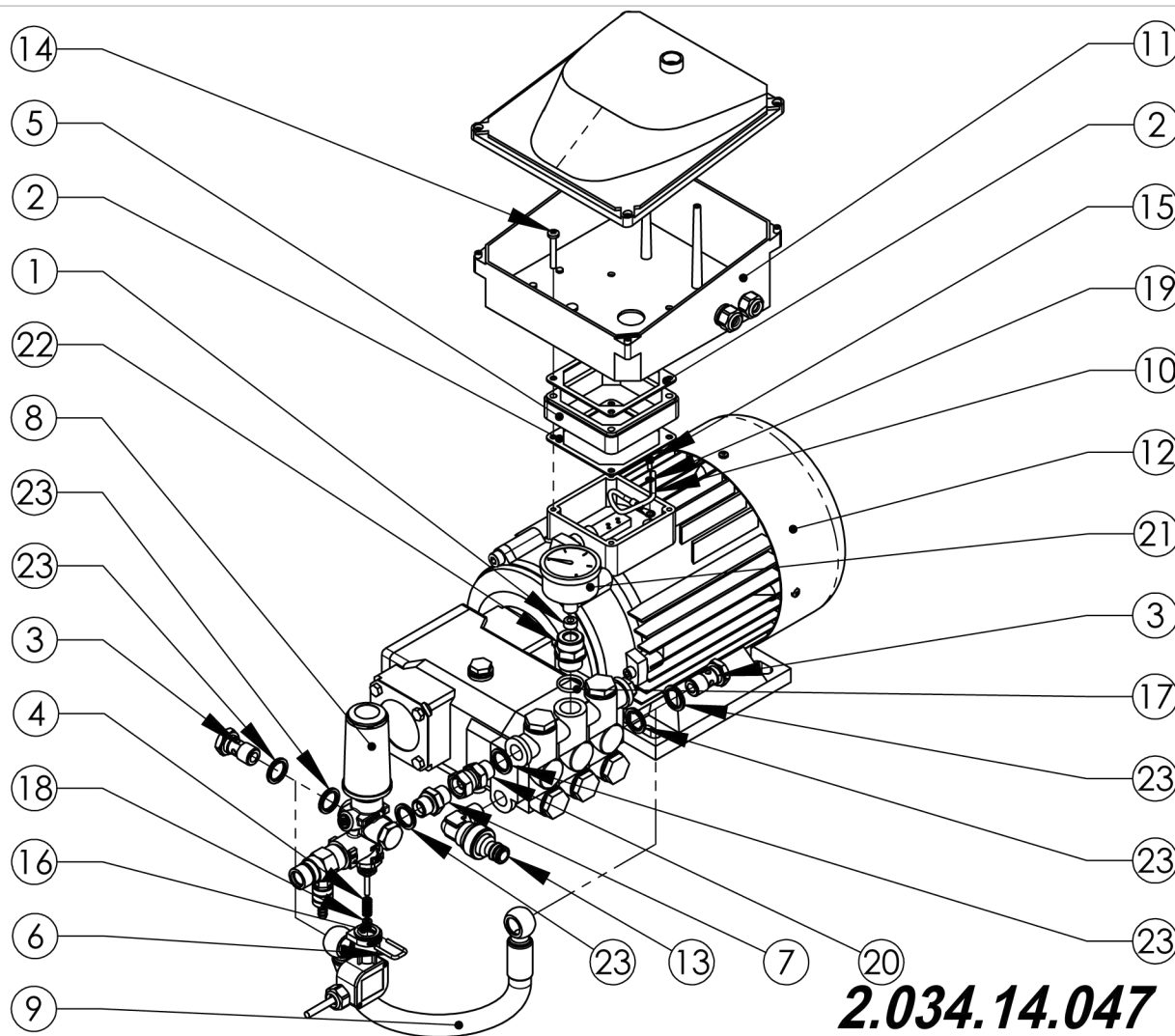
Motopompe + Cadre électrique 230V50Hz

Motorpumpe + Schalttafel 230V50Hz

Motobomba + Cuadro eléctrico 230V50Hz

KRÜGER

KH1510F



2.034.14.047 .A

Pos.	Q.tà	Cod.	ITALIANO	ENGLISH	DEUTSCH	ESPAÑOL	FRANCAIS
1	1	1.006.11.007	Guarnizione ø6xø11.8x6	Gasket ø6xø11.8x6	Dichtung ø6xø11.8x6	Guarnición ø6xø11.8x6	Garniture ø6xø11.8x6
2	2	1.006.12.003	Guarnizione COPRIBASETTA	Gasket COPRIBASETTA	Dichtung COPRIBASETTA	Guarnición COPRIBASETTA	Garniture COPRIBASETTA
3	2	1.012.14.003	Tappo 3/8	Cap 3/8	Deckel 3/8	Tapn 3/8	Bouchon 3/8
4	1	1.025.12.010	Molla P115	Spring P115	Feder P115	Muelle P115	Ressort P115
5	1	1.060.02.001	Distanziale H20	Spacer H20	Distanzstueck H20	Distanciador H20	Entretoise H20
6	1	1.081.02.001	Forcella	Fork	Gabel	Horquilla	Fourche
7	1	1.096.04.001	Nipples	Nipples	Nipples	Nipples	Nipples
8	1	2.003.34.008	Valvola di regolazione Pressione 150bar KC3000	Pressure unloader valve 150bar KC3000	Druckregelventile 150bar KC3000	Válvula reguladores de presion 150bar KC3000	Valve regulateur de presion 150bar KC3000
9	1	2.006.24.005	Tubo BY-PASS	Pipe BY-PASS	Rohr BY-PASS	Tubo BY-PASS	Tuyau BY-PASS
10	1	2.020.14.001	Cavo elettrico	Power cable	Energie kabel	Cable electrico	Cable électrique
11	1	2.031.04.033	Quadro elettrico 230V MF 50\60Hz	Electric pannel 230V MF 50\60Hz	Schalttafel 230V MF 50\60Hz	Cuadro eléctrico 230V MF 50\60Hz	Cadre électrique 230V MF 50\60Hz
12	1	3.006.12.082	Motopompa M100 230V50HzMF+HC330	Motorpump M100 230V50HzMF+HC330	Motorpumpe M100 230V50HzMF+HC330	Motobomba M100 230V50HzMF+HC330	Motopompe M100 230V50HzMF+HC330
13	1	3.012.12.003	Raccordo Entrata	Intake connection	Eingangsverbindung	Racor entrada	Raccord d'entrée
14	4	4.002.72.003	Vite M5x35 UNI7687	Screw M5x35 UNI7687	Schrauben M5x35 UNI7687	Tornillo M5x35 UNI7687	Vis M5x35 UNI7687
15	1	4.002.94.016	Vite M3.5x8 UNI8112	Screw M3.5x8 UNI8112	Schrauben M3.5x8 UNI8112	Tornillo M3.5x8 UNI8112	Vis M3.5x8 UNI8112
16	1	4.005.22.003	OR 2015	O-ring 2015	O-Ring 2015	OR 2015	Joint torique 2015
17	1	4.005.22.025	OR 3075	O-ring 3075	O-Ring 3075	OR 3075	Joint torique 3075
18	1	4.008.02.002	Rondella ø4.3xø8x0.5 (OT)	Washer ø4.3xø8x0.5 (OT)	Unterlegscheibe ø4.3xø8x0.5 (OT)	Arandela M4.3xø8x0.5 (OT)	Rondelle ø4.3xø8x0.5 (OT)
19	1	4.008.54.001	Rondella di sicurezza UNI8842 M4	Safety washer UNI8842 M4	Sicherheits Scheibe UNI8842 M4	Arandela de seguridad UNI8842 M4	Rondelle de sûreté UNI8842 M4
20	1	4.012.04.002	Raccordo G3/8	Connection G3/8	Leiste G3/8	Filete G3/8	Filet G3/8
21	1	4.020.14.004	Manometro 0-400 Bar G1/4	Pressure gauge 0-400 Bar G1/4	Druckmesser 0-400 Bar G1/4	Manómetro 0-400 Bar G1/4	Manomètre 0-400 Bar G1/4
22	1	4.036.04.006	Tappo G1/2 - G1/4	Cap G1/2 - G1/4	Deckel G1/2 - G1/4	Tapón G1/2 - G1/4	Bouchon G1/2 - G1/4
23	6	4.070.04.001	Guarnizione G3/8	Gasket G3/8	Dichtung G3/8	Guarnición G3/8	GarnitureG3/8

Motopompa M100 230V50HzMF+HC330

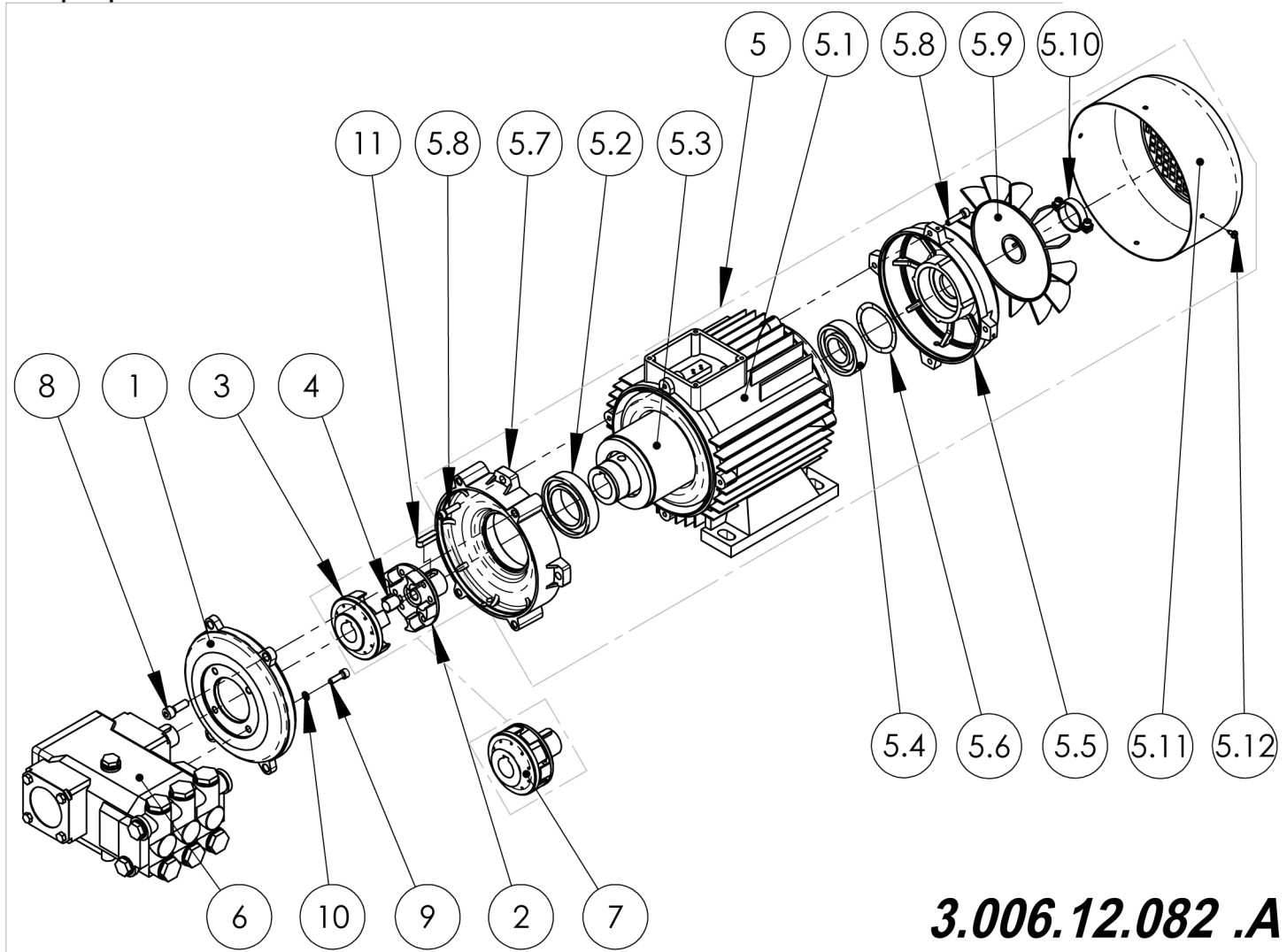
Motorpump M100 230V50HzMF+HC330

Motopompe M100 230V50HzMF+HC330

Motorpumpe M100 230V50HzMF+HC330

Motobomba M100 230V50HzMF+HC330

KRÜGER
KH1510F



3.006.12.082 .A

Pos.	Q.tà	Cod.	ITALIANO	ENGLISH	DEUTSCH	ESPAÑOL	FRANCAIS
1	1	1.074.02.037	Flangia lato pompa MEC100 *SST*	Pump side flange MEC100 *SST*	Pumpe seitlicher Flansch MEC100 *SST*	Reborde lateral de la bomba MEC100 *SST*	Bride lateral de pompe MEC100 *SST*
2	1	1.131.02.007	Mozzo G100 (ø30)	Hub G100 (ø30)	Nabe G100 (ø30)	Cubo G100 (ø30)	Moyeu G100 (ø30)
3	1	1.131.02.008	Mozzo G100 (ø24 L=31)	Hub G100 (ø24 L=31)	Nabe G100 (ø24 L=31)	Cubo G100 (ø24 L=31)	Moyeu G100 (ø24 L=31)
4	1	1.157.02.001	Ammorizzatore	Cushion	Dämpfer	Amortiguador	Amortisseur
5	1	3.002.22.011	Motore Elettrico MEC 100 B3BS MF230V50Hz	Electric Motor MEC 100 B3BS MF230V50Hz	Elektromotor MEC 100 B3BS MF230V50Hz	Motor Eléctrico MEC 100 B3BS MF230V50Hz	Moteur électrique MEC 100 B3BS MF230V50Hz
5.1	1	2.017.02.024	Carter Montato M100 B3BS+STA 230V50HzMF4P	Assembled Guard M100 B3BS+STA 230V50HzMF4P	Montiertes Gehäuse M100 B3BS+STA 230V50HzMF4P	Ensamblado Carter M100 B3BS+STA 230V50HzMF4P	Carter assemblé M100 B3BS+STA 230V50HzMF4P
5.2	1	4.016.02.010	Cuscinetto SKF 6009-2Z C3	Bearing SKF 6009-2Z C3	Kugellager SKF 6009-2Z C3	Rodamiento SKF 6009-2Z C3	Roulement SKF 6009-2Z C3
5.3	1	2.014.02.047	Albero Premontato M100MF	Preassembled shaft M100MF	Vormontierte Welle M100MF	Preensamblado eje M100MF	Préassemblé arbre M100MF
5.4	1	4.016.02.005	Cuscinetto SKF 6206-ZZ C3	Bearing SKF 6206-ZZ C3	Kugellager SKF 6206-ZZ C3	Rodamiento SKF 6206-ZZ C3	Roulement SKF 6206-ZZ C3
5.5	1	1.074.02.008	Flangia posteriore MEC100	back flange MEC100	Rückseitiger Flansch MEC100	Reborde trasero MEC100	Bride arrier MEC100
5.6	1	4.049.12.002	Anello 6206	Ring 6206	Ring 6206	Anillo 6206	Bague 6206
5.7	1	1.074.02.036	Flangia anteriore MEC100	Front flange MEC100	Forderer Flansch MEC100	Reborde delantero MEC100	Bride avant MEC100
5.8	8	4.002.12.008	Vite M6x25 UNI5931	Screw M6x25 UNI5931	Schrauben M6x25 UNI5931	Tornillo M6x25 UNI5931	Vis M6x25 UNI5931
5.9	1	1.073.02.004	Ventola MEC100	Impeller MEC100	Antreiberer MEC100	Impledor MEC100	Roue à aubes MEC100
5.10	1	1.045.02.006	Fascetta Ventola FA100	Clamp Impeller FA100	Klemme Antreiberer FA100	Faja Impledor FA100	Petit bande Roue à aubes FA100
5.11	1	1.046.02.013	Protezione ventola MEC100	Fan protection MEC100	Antreiberschutz MEC100	Protección del ventilador MEC100	Protection du ventilateur MEC100
5.12	3	4.002.94.015	Vite autofilettante 3.9x9.5	Self-tapping Screw 3.9x9.5	Selbschneidendeschraube 3.9x9.5	Tornillo autoblocante 3.9x9.5	Vis autofiletant 3.9x9.5
6	1	3.015.12.028	Pompa LEUCO HC 330	Pump LEUCO HC 330	Pump LEUCO HC 330	Bomba LEUCO HC 330	Pompe LEUCO HC 330
7	1	3.055.02.004	Giunto ø24-ø30 MEC100 *SST*	Coupling ø24-ø30 MEC100 *SST*	Kupplung ø24-ø30 MEC100 *SST*	Acoplamiento ø24-ø30 MEC100 *SST*	Accouplement ø24-ø30 MEC100 *SST*
8	4	4.002.11.002	Vite M8x25 UNI5931	Screw M8x25 UNI5931	Schrauben M8x25 UNI5931	Tornillo M8x25 UNI5931	Vis M8x25 UNI5931
9	4	4.002.14.020	Vite M6x20 UNI5931	Screw M6x20 UNI5931	Schrauben M6x20 UNI5931	Tornillo M6x20 UNI5931	Vis M6x20 UNI5931
10	4	4.008.52.001	Rondella di sicurezza M6	Safety washer M6	Sicherheits Scheibe M6	Arandela de seguridad M6	Rondelle de sûreté M6
11	1	4.021.02.004	Chivetta 8x7x30 UNI6604-A	Key 8x7x30 UNI6604-A	Keil 8x7x30 UNI6604-A	Chaveta 8x7x30 UNI6604-A	Clavette 8x7x30 UNI6604-A

Valvola di regolazione Pressione 150bar

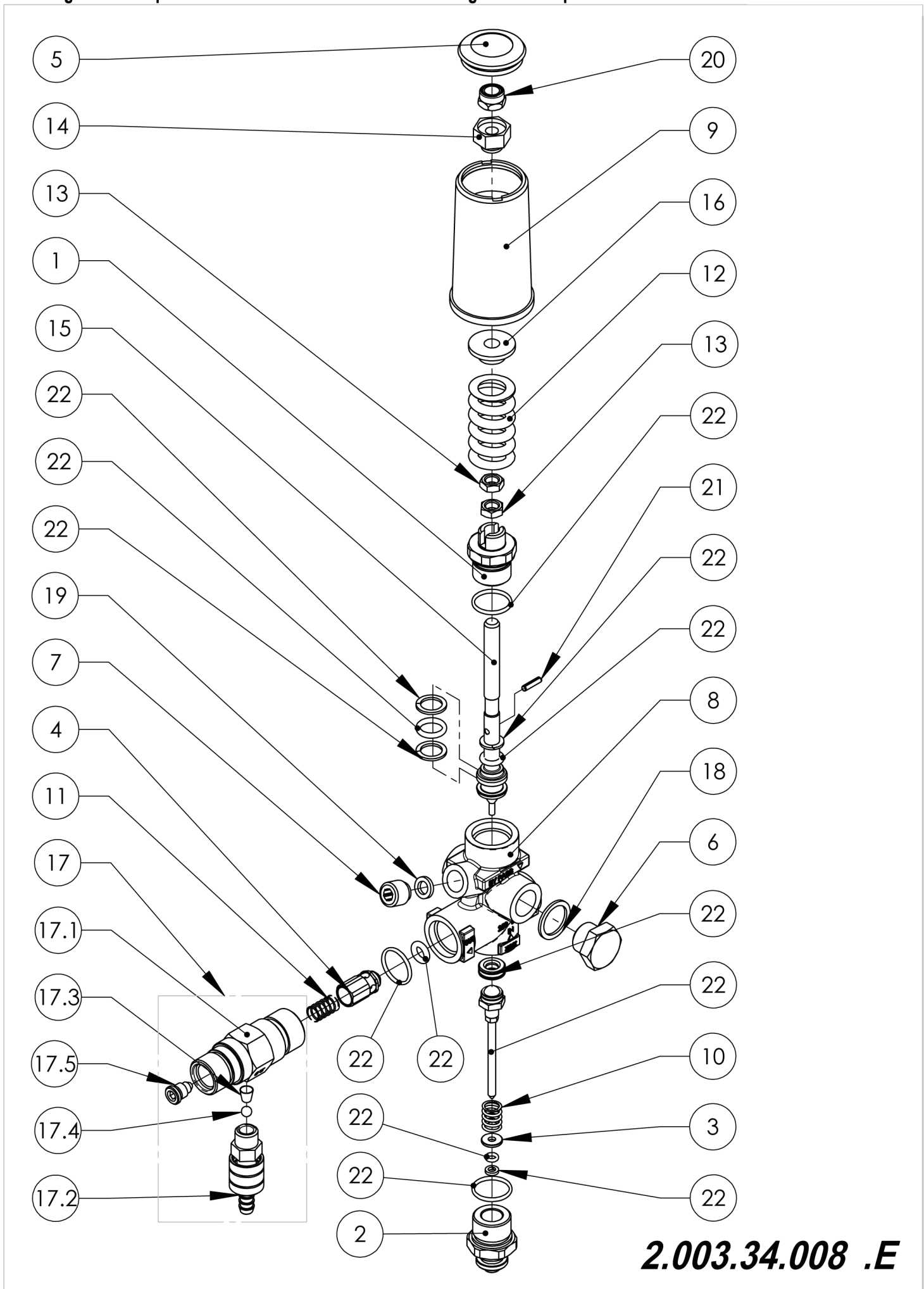
Pressure unloader valve 150bar

Druckregelventile 150bar

Válvula reguladores de presion 150bar

KRÜGER

KH1510F



2.003.34.008 .E

Valvola di regolazione Pressione 150bar

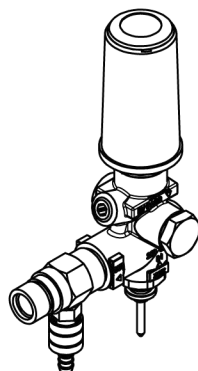
Pressure unloader valve 150bar

Valve regulateur de pression 150bar

Druckregelventile 150bar

Válvula reguladores de presión 150bar

KRÜGER
KH1510F



2.003.34.008 .E

Pos.	Q.tà	Cod.	ITALIANO	ENGLISH	DEUTSCH	ESPAÑOL	FRANCAIS
1	1	1.001.02.002	Raccordo M20x3\8	Connection M20x3\8	Leiste M20x3\8	Filete M20x3\8	Filet M20x3\8
2	1	1.001.02.024	Raccordo	Connection	Leiste	Filete	Filet
3	1	1.003.02.004	Rondella ø4x11x1.5	Washer ø4x11x1.5	Unterlegscheibe ø4x11x1.5	Arandela ø4x11x1.5	Rondelle ø4x11x1.5
4	1	1.007.02.001	Otturatore	Shutter	Obturador	Verschluss	Obturateur
5	1	1.012.02.001	Tappo VRB	Cap VRB	Deckel VRB	Tapón VRB	Bouchon VRB
6	1	1.012.12.001	Tappo G3/8"	Cap G3/8"	Deckel G3/8"	Tapón G3/8"	Bouchon G3/8"
7	1	1.012.42.002	Tappo G1/4	Cap G1/4	Deckel G1/4	Tapón G1/4	Bouchon G1/4
8	1	1.020.22.004	Corpo VBR	Body VBR	Körper VBR	Cuerpo VBR	Corps VBR
9	1	1.021.02.002	Manopola	Knob	Griff	Pomo	Poignée
10	1	1.025.12.002	Molla 15x1.4	Spring 15x1.4	Feder 15x1.4	Muelle 15x1.4	Ressort 15x1.4
11	1	1.025.12.003	Molla ø0.7xøe9xh21	Spring ø0.7xøe9xh21	Feder ø0.7xøe9xh21	Muelle ø0.7xøe9xh21	Ressort ø0.7xøe9xh21
12	1	1.025.22.003	Molla	Spring	Feder	Muelle	Ressort
13	2	1.035.02.001	Dado M8	Nut M8	Mutter M8	Dado M8	Ecrou M8
14	1	1.036.02.001	Inserto M8	Insert M8	Einsatz M8	Inserto M8	Insert M8
15	1	1.037.02.001	Stelo VRB	Stem VRB	Spindel VRB	Vastago VRB	Tige VRB
16	1	1.072.02.004	Premimolla	Spring clamp	Federdrücker	Prensamuelle	Presse-ressort
17	1	3.016.12.008	Iniettore M22x1.5-M20x1.5 REG2.0	Injector M22x1.5-M20x1.5 REG2.0	Iniektor M22x1.5-M20x1.5 REG2.0	Inyector M22x1.5-M20x1.5 REG2.0	Iniecteur M22x1.5-M20x1.5 REG2.0
17.1	1	1.020.22.010	Corpo M22x1.5 M20x1.5 MM	Body M22x1.5 M20x1.5 MM	Körper M22x1.5 M20x1.5 MM	Cuerpo M22x1.5 M20x1.5 MM	Corps M22x1.5 M20x1.5 MM
17.2	1	2.003.02.003	Rubinetto	Faucet	Hahn	Grifo	Robinet
17.3	1	1.025.12.004	Molla	Spring	Feder	Muelle	Ressort
17.4	1	4.010.22.001	Sfera	Sphere	Kugel	Esfera	Sphère
17.5	1	1.031.12.022	Ugello ø2.0	Nozzle ø2.0	Duse ø2.0	Boquilla ø2.0	Buse ø2.0
18	1	4.008.12.001	Rondella Rame G3/8	Copper washer G3/8	Kupferunterleggscheibe G3/8	Arandela de cobre G3/8	Rondelle cuivre G3/8
19	1	4.008.12.003	Rondella Rame G1/4	Copper washer G1/4	Kupferunterleggscheibe G1/4	Arandela de cobre G1/4	Rondelle cuivre G1/4
20	1	4.009.12.001	Dado M8 UNI7474	Nut M8 UNI7474	Mutter M8 UNI7474	Dado M8 UNI7474	Ecrou M8 UNI7474
21	1	4.011.12.001	Spina	Plug	Stecker	Enchufe	Prise
22	1	9.003.02.007	Kit Tenute TOTALSTOP	Spare seals kit TOTALSTOP	Kit Dichtungen TOTALSTOP	Kit cierres TOTALSTOP	Kit joints détachéité TOTALSTOP

Quadro elettrico 230V MF 50/60Hz

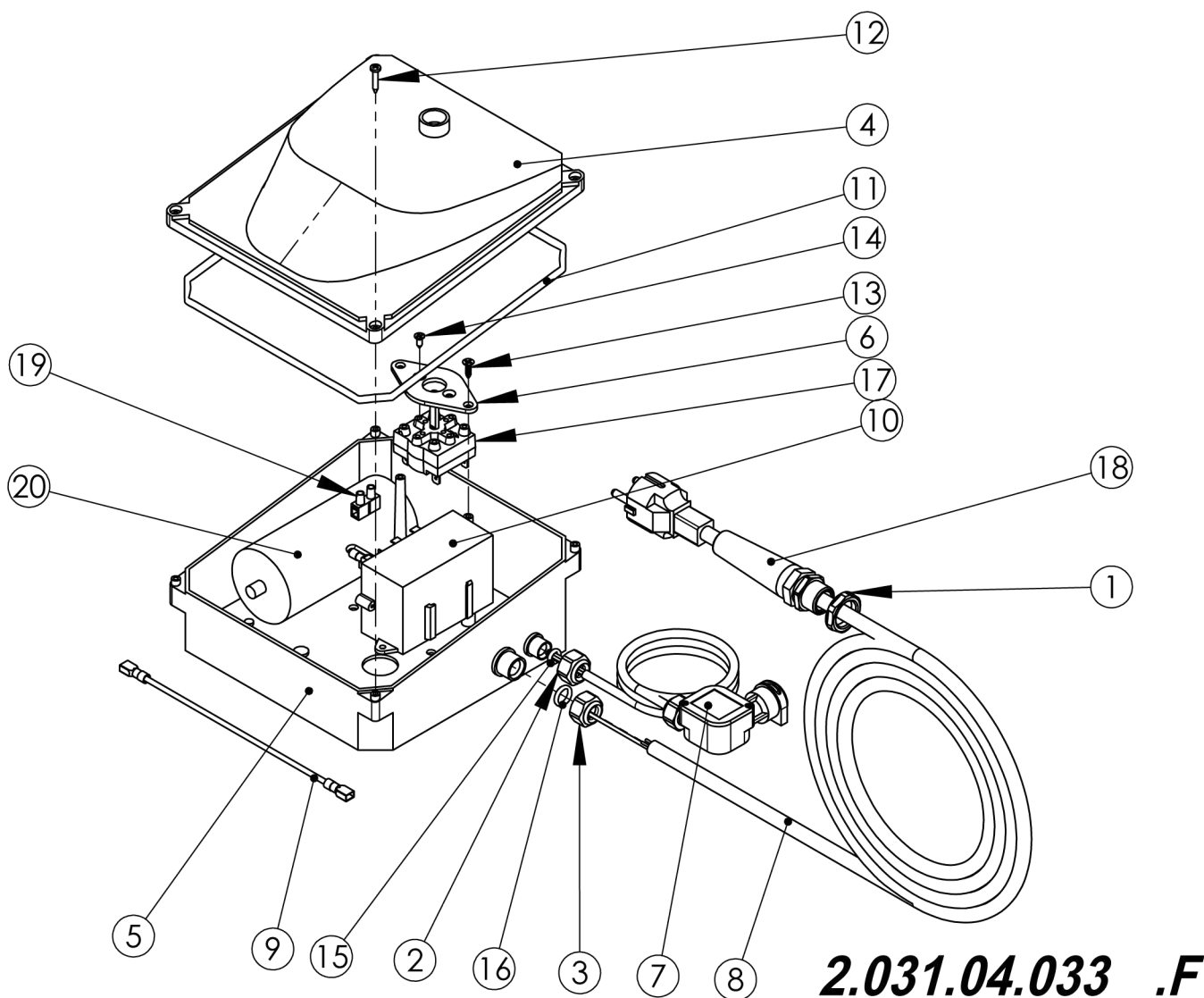
Electric pannel 230V MF 50/60Hz

Cadre électrique 230V MF 50/60Hz

Schalttafel 230V MF 50/60Hz

Cuadro eléctrico 230V MF 50/60Hz

KRÜGER
KH1510F



2.031.04.033 .F

Pos.	Q.tà	Cod.	ITALIANO	ENGLISH	DEUTSCH	ESPAÑOL	FRANCAIS
1	1	1.015.04.003	Ghiera Pg13.5	Ferrule Pg13.5	Zwinge Pg13.5	Abrazadera Pg13.5	Embout Pg13.5
2	1	1.015.32.008	Ghiera G1/4"	Ferrule G1/4"	Zwinge G1/4"	Abrazadera G1/4"	Embout G1/4"
3	1	1.015.32.011	Ghiera	Ferrule	Zwinge	Abrazadera	Embout
4	1	1.054.04.005	Coperchio UNI100	Cover UNI100	Deckel UNI100	Tapa UNI100	Couvercle UNI100
5	1	1.078.04.002	Scatola elettrica	Electric case	Elektrokasten	Caja eléctrica	boîte électrique
6	1	1.089.04.002	Staffa	Stirrup	Klaue	Estribo	Étrier
7	1	2.008.02.006	Pressostato A3 V250	pressure gauge A3 V250	Druckschalter A3 V250	Presostato A3 V250	Pressostat A3 V250
8	1	2.020.04.039	Cavo elettrico 10/16A 250V 5.91m	Power cable 10/16A 250V 5.91m	Energie kabel 10/16A 250V 5.91m	Cable electrico 10/16A 250V 5.91m	Cable électrique 10/16A 250V 5.91m
9	2	2.020.14.080	Cavo 1.5 L200	Cable 1.5 L200	Kabel 1.5 L200	Cable 1.5 L200	Cable 1.5 L200
10	1	3.024.02.010	Scheda	Board	Karte	Tarjeta	Carte
11	1	4.001.04.001	Guarnizione ø5 L=720	Gasket ø5 L=720	Verzierung ø5 L=720	Guarnición ø5 L=720	Garniture ø5 L=720
12	4	4.002.92.001	Vite autofilettante 3.5x19	Self-tapping Screw 3.5x19	Selbschneidendeschraube 3.5x19	Tornillo autoblocante 3.5x19	Vis autofiletant 3.5x19
13	2	4.002.94.009	Vite 3,9x13 AB UNI6955	Screw 3,9x13 AB UNI6955	Schrauben 3,9x13 AB UNI6955	Tornillo 3,9x13 AB UNI6955	Vis 3,9x13 AB UNI6955
14	2	4.002.94.023	Vite autofilettante 3.5x9.5 UNI6955	Self-tapping Screw 3.5x9.5 UNI6955	Selbschneidendeschraube 3.5x9.5 UNI6955	Tornillo autoblocante 3.5x9.5 UNI6955	Vis autofiletant 3.5x9.5 UNI6955
15	1	4.005.22.009	OR 3024	O-ring 3024	O-ring 3024	OR 3024	Joint torique 3024
16	1	4.005.24.001	OR 112	O-ring 112	O-Ring 112	OR 112	Joint torique 112
17	1	4.018.04.007	Interruttore	Switch	Schalter	Interruptor	Interrupteur
18	1	4.026.02.001	Pressacavo PG 13.5	Cable clamping PG 13.5	Kabelklemme PG 13.5	Prensacables PG 13.5	Serre-câble PG 13.5
19	1	4.033.04.006	Morsetto 1P	Clamp 1P	Klemme 1P	Prensita de sujeción 1P	Colier de serrage 1P
20	1	4.035.02.014	Condensatore 60 mf 450V	Condenser 60 mf 450V	Kondensator 60 mf 450V	Condensador 60 mf 450V	Condenseur 60 mf 450V



KRÜGER TECHNOLOGY S.L.
B-82526583
Polígono Agustinos C/G Parcela B2
31013 Pamplona (Navarra) - ESPAÑA
+34 948 343 393 - info@kruger.es - www.kruger.es