

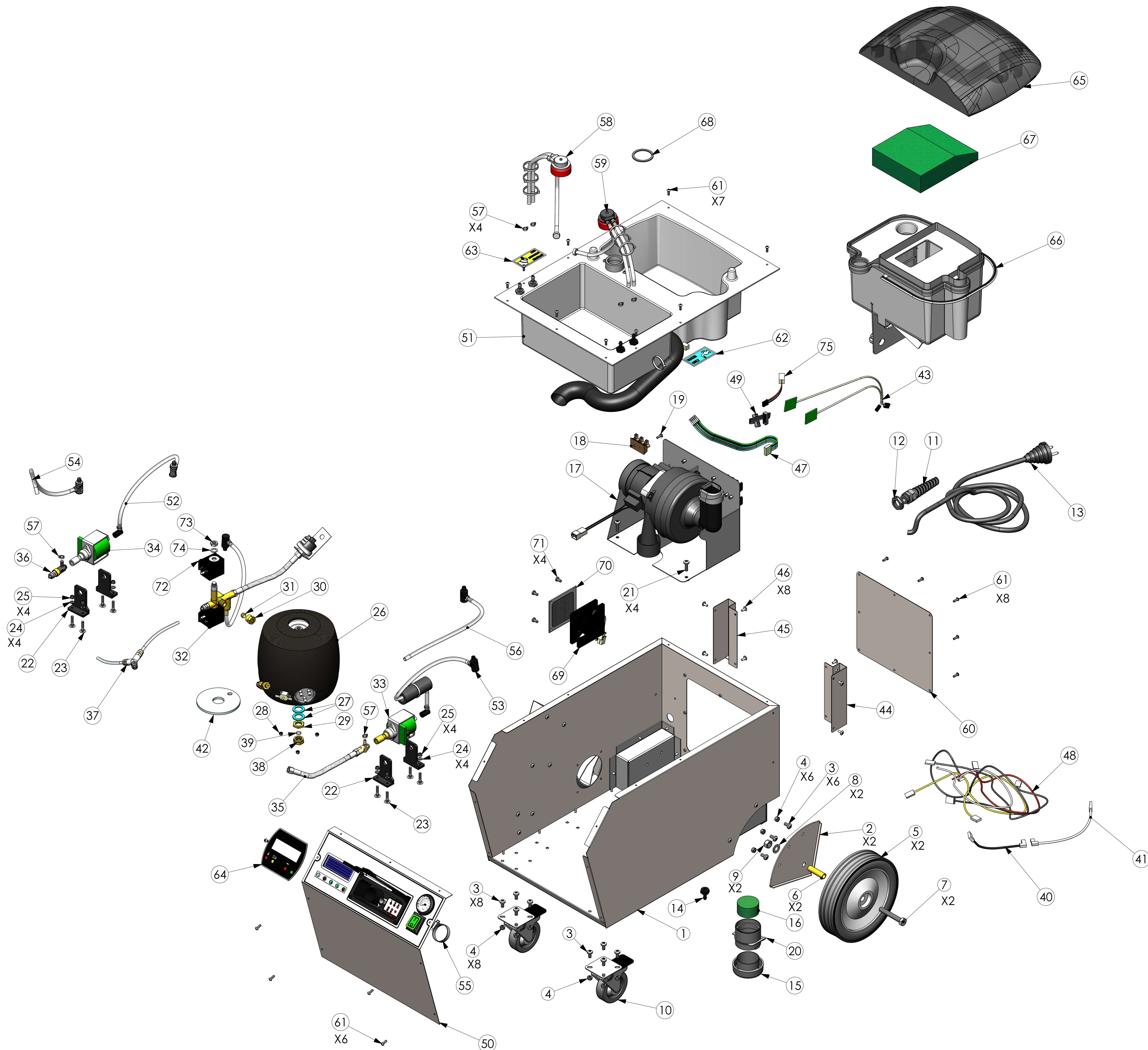


DESPIECE TÉCNICO  
GENERADOR DE VAPOR

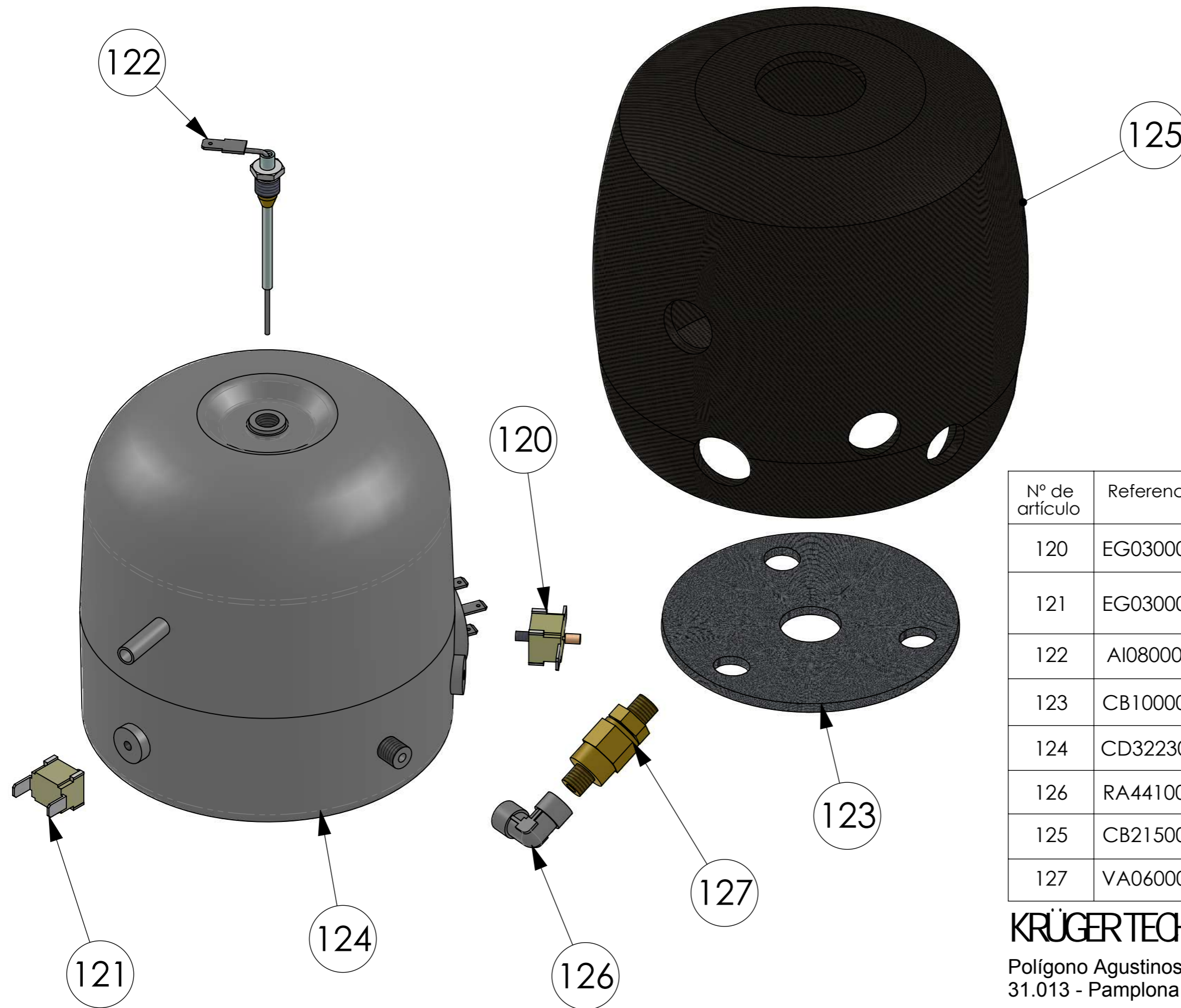
**KGV7000**







Nº de artículo	Referencia	Descripción	Cantidad
1	LA1000004	Lower sheet steel mod. 7000	1
2	LA1000015	Grey metal sheet wheel fixing 6000	2
3	VB1106005	Screw UNI 7985 TCC M6x12 BZ ZB	14
4	DM1106002	Self-locking nut M6 low ZBV	14
5	RU0200002	Wheel D.200mm grey PP	2
6	TO1100036	Brass compass d.10x12,4x44,1mm	2
7	VB1110001	Screw DIN 933 TE M10x65 ZB	2
8	RN2100001	Flat washer M10	2
9	DM1110001	Self-locking nut M10 high ZB	2
10	RU1075004	Pirouetting wheels d.75mm with plat	2
11	PP1030015	grey cable fixing M20x1,5	1
12	DM3220001	Lock nut M20x1,5 PA grey	1
13	AL7000101	Power cable 7m schuko	1
14	PP1090009	Black wall connection	1
15	PP4040001	Grey blow cap	1
16	PP5210001	Light blue filter plug Ø50x26	1
17	AI0000155	Vac motor support mod.7000	1
18	EG0800001	Terminal block	1
19	VB1104003	Screw DIN 7985 TCC M4x12 ZB	1
20	PP1010041	Blow cap support	1
21	VB1106001	Screw DIN 7985 TCC M6x20 ZB	4
22	PP1220001	Ulka pump support 801039	4
23	VB1105002	Screw UNI 5731 TB M5x20 BZ ZB	8
24	RN2050001	Plain washer M5 ZB	8
25	DM1105001	Self-locking nut low M5 ZB	8
26	AI0300029	Boiler d.150mm 3200W 230V mod.7000	1
27	RN8165001	Washer 16.5x26x2mm blue	2
28	DM1104001	Self-locking nut low M4 ZB	3
29	DM2216002	Brass boiler fixing nut M16x1	1
30	DG2014001	Monobloc nut brass G1/4	1
31	TO1100012	Monoblock ogive d. 8,1mm brass	1
32	AI0500032	Complete Monoblock 9bar L.130mm 230	1
33	PM2301501	Green pump 230V 15bar	1
34	PM2302001	Green pump 230V 20 bar nylon	1
35	AI0000129	Complete water hose l.140mm V-23000	1
36	AI0000128	Complete S3 valve/fitting connection	1
37	AI0000211	Compl.socket connection 6000 Gisowatt	1
38	DM2216001	Brass boiler drainage nut M16x1	1
39	GU1300001	Red silicone o-ring 2.62x9,13	1
40	CA1030017	Black thermostat crop end l.140mm	1
41	CA1030018	White thermostat crop end l.135mm	1
42	CB1100001	Melamine lower insulation d.100mm	1
43	AE000065	Complete capacitiva sensor MT114	1
44	LA1000013	Right handle sheet steel mod.7000	1
45	LA1000014	Left handle sheet steel mod.7000	1
46	TO4300001	Alluminium Rivet 4x8mm	8
47	CA3050001	Socket wiring	1
48	CA3010051	Main wiring mod. 7000	1
49	CA2070001	Display flat cable 75cm	1
50	AI0000212	Complete frontal sheet 7000 RW	1
51	AI0900053	Complete upper housing 7000 RW	1
52	AI0000157	Complete suction detergent pump	1
53	AI0000158	Complete suction water pump	1
54	AI0000214	Complete detergente pump return 7000	1
55	FA3000002	Metal clamp SV 25/40	1
56	AI0000213	Complete water pump return 7000	1
57	FA4100001	White nylon clamp 2.5x98mm	6
58	AI0000135	Grey Detergent Tank Cap	1
59	AI0000136	Water cap	1
60	LA1000020	Sheet steel PCB panel Provap Evo	1
61	VB1104008	Screw ISO 7380 TBEI F/R M4x12 ZB	23
62	ET0050028	"Water only" white PVC label	1
63	ET0050027	"Approved Detergent" PVC label	1
64	ET0070027	Display panel label	1
65	PP1170011	Grey cover mod.3000	1
66	AI0700008	Complete dirt water basket 3000	1
67	PP5210004	Light blue filter 175x147x45mm	1
68	GU2100009	Flat gasket EPDM 60 D.38x46x2mm	1
69	AE0000019	Complete fan plus connector	1
70	TO2600001	Metallic grate MFF-80	1
71	VB1204801	Screw DIN 7981 ATF TCC 4.8x9,5 BZ ZB	4
72	BB2305002	Solenoid 230V 50Hz black	1
73	DG1018002	Solenoid nut G1/8 low flange ZB	1
74	RN2100003	Solenoid washer	1
75	CA3000009	Reed extension wiring	1



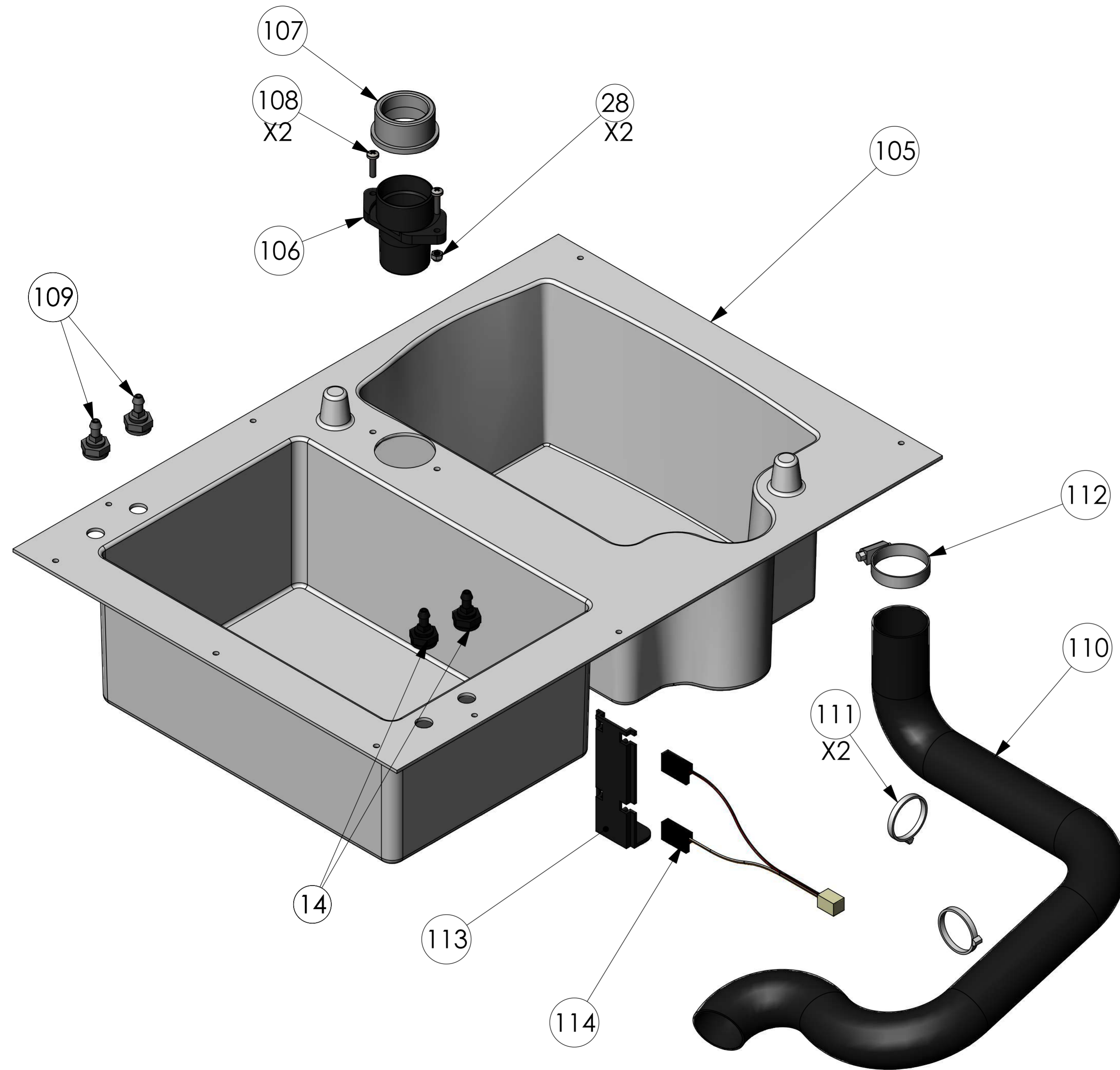
Nº de artículo	Referencia	Descripción	Cantidad
120	EG0300001	Manual thermostat T300	1
121	EG0300002	Automatic thermostat T300	1
122	AI0800002	Complete probe h.91mm	1
123	CB1000001	Melamine lower boiler insulation	1
124	CD3223001	Boiler 3200W 230V d.150mm	1
126	RA4410002	90° female connection	1
125	CB2150002	Melamine upper insulation d.150mm	1
127	VA0600001	Self priming valve 501-1/8	1

### KRÜGER TECHNOLOGY SL

Polígono Agustinos, c/ G, Parcela B2  
31.013 - Pamplona / Navarra

Tfno.: 948 318 405 / Fax: 948 318 453

info@kruger.es



Nº artículo	Referencia	Descripción	Cantidad
14	PP1090009	Black wall connection	2
28	DM1104001	Self-locking nut low M4 ZB	2
105	CL9020001	White upper housing mod. 7000	1
106	PP1030024	Black vacuum insert	1
107	PP1020009	Vacuum hose holder gasket	1
108	VB1104006	Screw DIN 7985 TCC M4x20 ZB	2
109	PP1090011	Grey wall connection	2
110	TP0079001	Spiral PVC hose 32x37x790mm	1
111	FA4000001	Nylon clamp 4.5x180mm	2
112	FA3000002	Metal clamp SV 25/40	1
113	PP1150019	Reed sensor support mod.3000	1
114	EG0200004		1

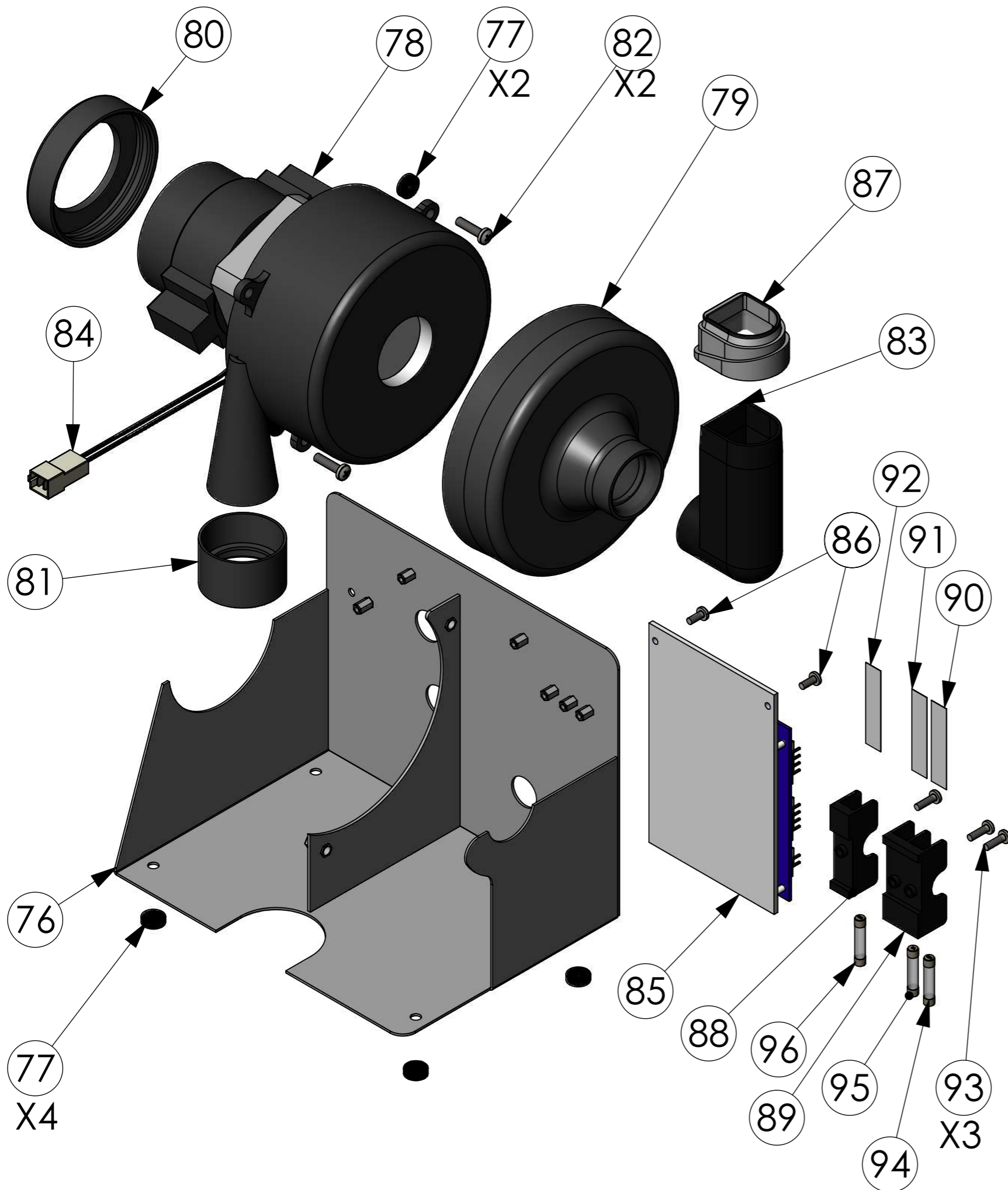
**KRÜGER TECHNOLOGY SL**

Polígono Agustinos, c/ G, Parcela B2  
31.013 - Pamplona / Navarra

Tfno.: 948 318 405 / Fax: 948 318 453

info@kruger.es

## Conjunto motor - Mod. KGV7000



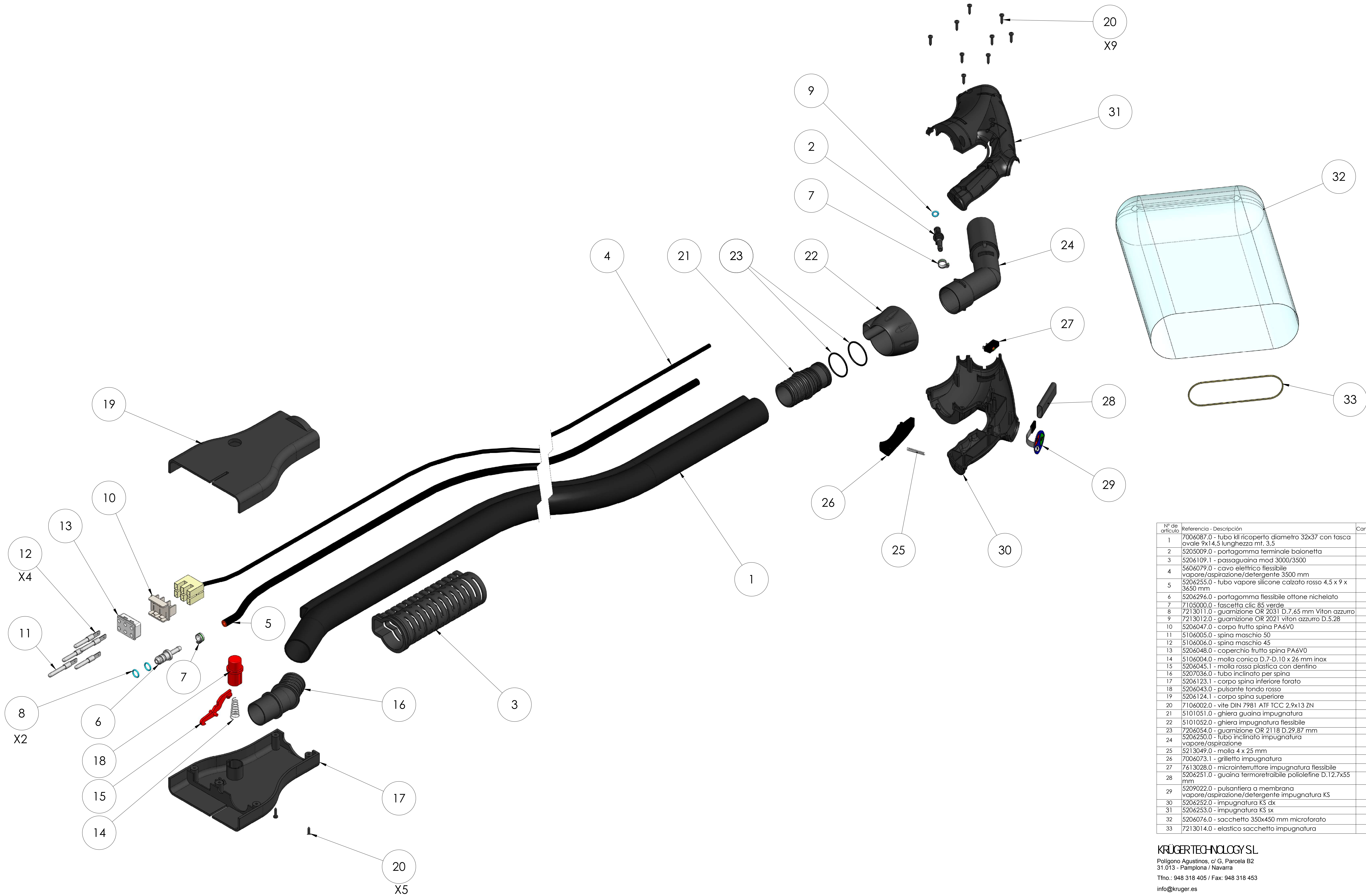
Nº de artículo	Referencia	Descripción	Cantidad
76	LA2000008	Motor support sheet steel mod.7000	1
77	RN4060001	Washer 6x14x4mm black EPDM	6
78	EG1000002	Motore 1200W 230V Ametek	1
79	PP1020007	Front anti-vibration support	1
80	PP1020008	PP1020008	1
81	GU0100005	Motor outlet gasket EPDM 60	1
82	VB1105001	Screw DIN 7985 TCC M5x20 ZB	2
83	PP1150022	90° motor-basket connection	1
84	CA3080002	Motor wiring mod.3000/3000D	1
85	EL1230017	Pcb mod. INOX 7000 230V	1
86	VB1104007	Screw DIN 7985 TCC M4x10 ZB	2
87	GU0100006	90° connection gasket	1
88	EG1900002	Fuse carrier one housing	1
89	EG1900003	Fuse carrier one housing	1
90	ET0040002	Fusibile sticker Provap Evo 15A	1
91	ET0040006	Fusibile label Provap Evo PCB 1A	1
92	ET0040001	Fusibile stciker provap Evolution	1
93	VB1104004	Screw DIN 7985 TCC M4x14 ZB	3
94	FU1150001	Fusibile Vetro 6,3x32mm 15A	1
95	FU1010001	Fusibile Vetro 6.3x32mm 1A	1
96	FU1100001	Fusibile Vetro 6.3x32mm 10A	1

**KRÜGER TECHNOLOGY S.L**

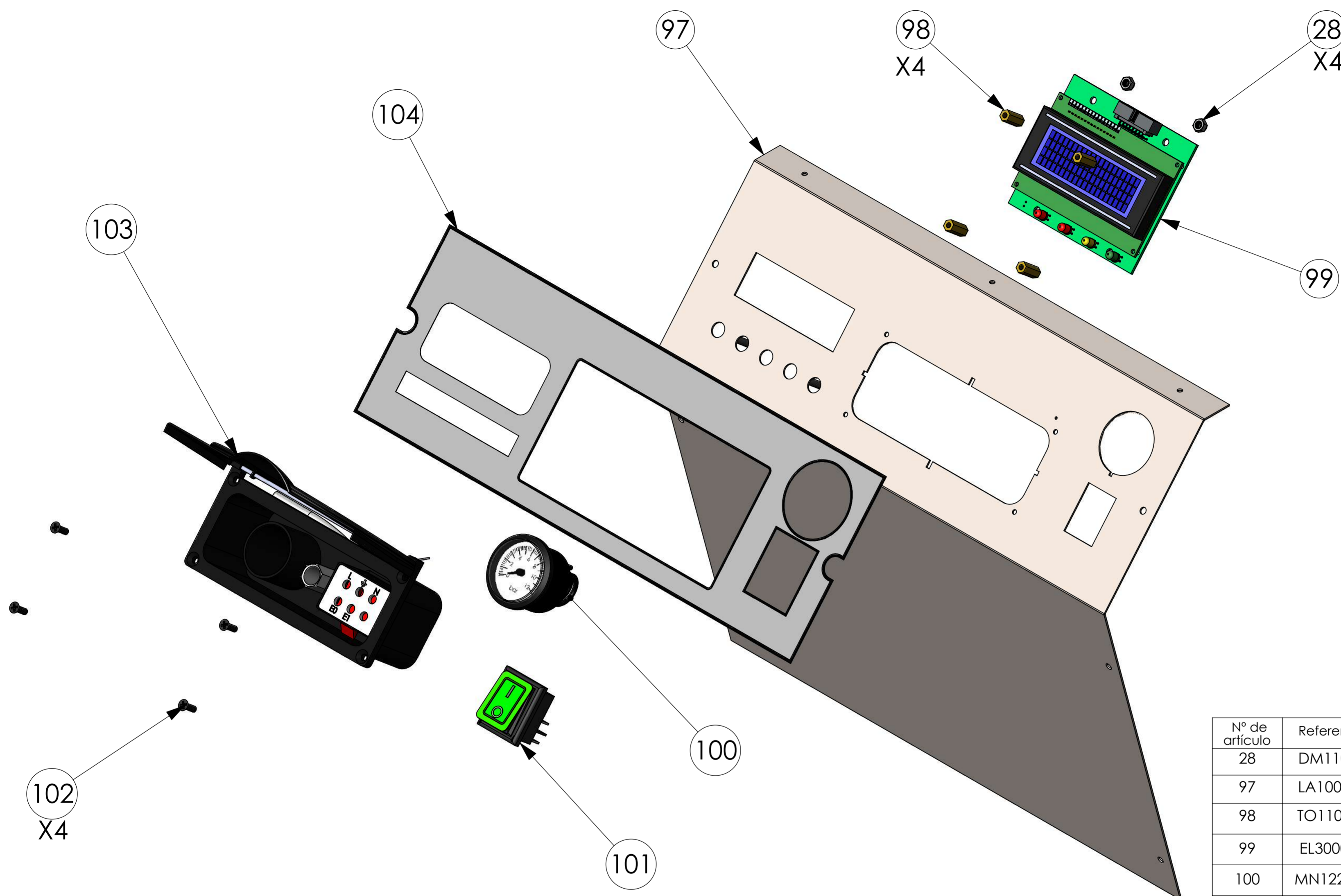
Polígono Agustinos, c/ G, Parcela B2  
31.013 - Pamplona / Navarra

Tfno.: 948 318 405 / Fax: 948 318 453

info@kruger.es



Nº de artículo	Referencia - Descripción	Cantidad
1	7006087.0 - tubo kil ricoperto diametro 32x37 con tasca ovale 9x14.5 lunghezza mt. 3,5	1
2	5205009.0 - portagomma terminale baionetta	1
3	5206109.1 - passaguaina mod 3000/3500	1
4	5606079.0 - cavo elettrico flessibile vapore/aspirazione/detergente 3500 mm	1
5	5206255.0 - tubo vapore silicone calzato rosso 4,5 x 9 x 3650 mm	1
6	5206296.0 - portagomma flessibile ottone nichelato	1
7	7105000.0 - fascetta clic 85 verde	2
8	7213011.0 - guarnizione OR 2031 D.7,65 mm Viton azzurro	2
9	7213012.0 - guarnizione OR 2021 viton azzurro D.5,28	1
10	5206047.0 - corpo frutto spina PA6V0	1
11	5106005.0 - spina maschio 50	1
12	5106006.0 - spina maschio 45	4
13	5206048.0 - coperchio frutto spina PA6V0	1
14	5106004.0 - molla conica D.7-D.10 x 26 mm inox	1
15	5206045.1 - molla rossa plastica con dentino	1
16	5207036.0 - tubo inclinato per spina	1
17	5206123.1 - corpo spina inferiore forato	1
18	5206043.0 - pulsante tondo rosso	1
19	5206124.1 - corpo spina superiore	1
20	7106002.0 - vite DIN 7981 ATF TCC 2,9x13 ZN	14
21	5101051.0 - ghiera guaina impugnatura	1
22	5101052.0 - ghiera impugnatura flessibile	1
23	7206054.0 - guarnizione OR 2118 D.29,87 mm	2
24	5206250.0 - tubo inclinato impugnatura vapore/aspirazione	1
25	5213049.0 - molla 4 x 25 mm	1
26	7006073.1 - grilletto impugnatura	1
27	7613028.0 - microinterruttore impugnatura flessibile	1
28	5206251.0 - guaina termoretraibile poliolefine D.12,7x55 mm	1
29	5209022.0 - pulsantiera a membrana vapore/aspirazione/detergente impugnatura KS	1
30	5206252.0 - impugnatura KS dx	1
31	5206253.0 - impugnatura KS sx	1
32	5206076.0 - sacchetto 350x450 mm microforato	1
33	7213014.0 - elastico sacchetto impugnatura	1



Nº de artículo	Referencia	Descripción	Cantidad
28	DM1104001	Self-locking nut low M4 ZB	4
97	LA1000005	Front sheet steel mod. 7000	1
98	TO1100011	Distance brass piece boiler CH6	4
99	EL3000001	Printed board display Inox 6000	1
100	MN1220001	Black segments manometer 12 bar	1
101	EG0100008	Green main power switch	1
102	VB1303502	Vite Ejoj TSC 3.5x11 BZ ZN	4
103	AI0200018	Complete socket Steam/Vaccum/Def.	1
104	ET0070017	Front label mod.7000	1

**KRÜGER TECHNOLOGY SL**

Polígono Agustinos, c/ G, Parcela B2  
31.013 - Pamplona / Navarra

Tfno.: 948 318 405 / Fax: 948 318 453

info@kruger.es





KRÜGER TECHNOLOGY S.L.  
B-82526583  
Polígono Agustinos C/G Parcela B2  
31013 Pamplona (Navarra) - ESPAÑA  
+34 948 343 393 - info@kruger.es - www.kruger.es