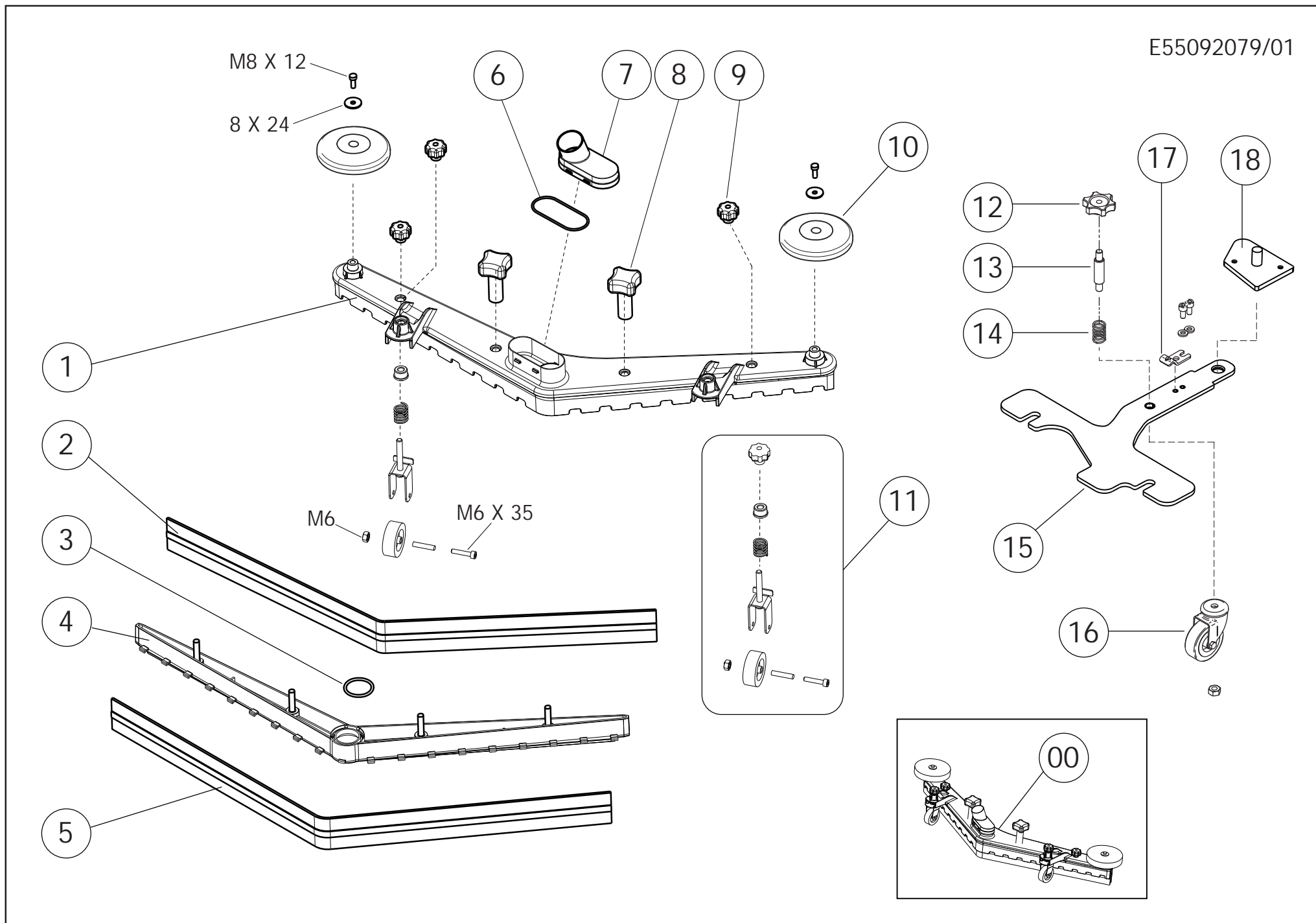




DESPIECE TÉCNICO
FREGADORA HOMBRE A PIE
KFL50BBC



E55092079/01



LISTA RICAMBI

CODICE: 8.527.0010 REV.: 1 DESCRIZIONE: **KFL50BBC**

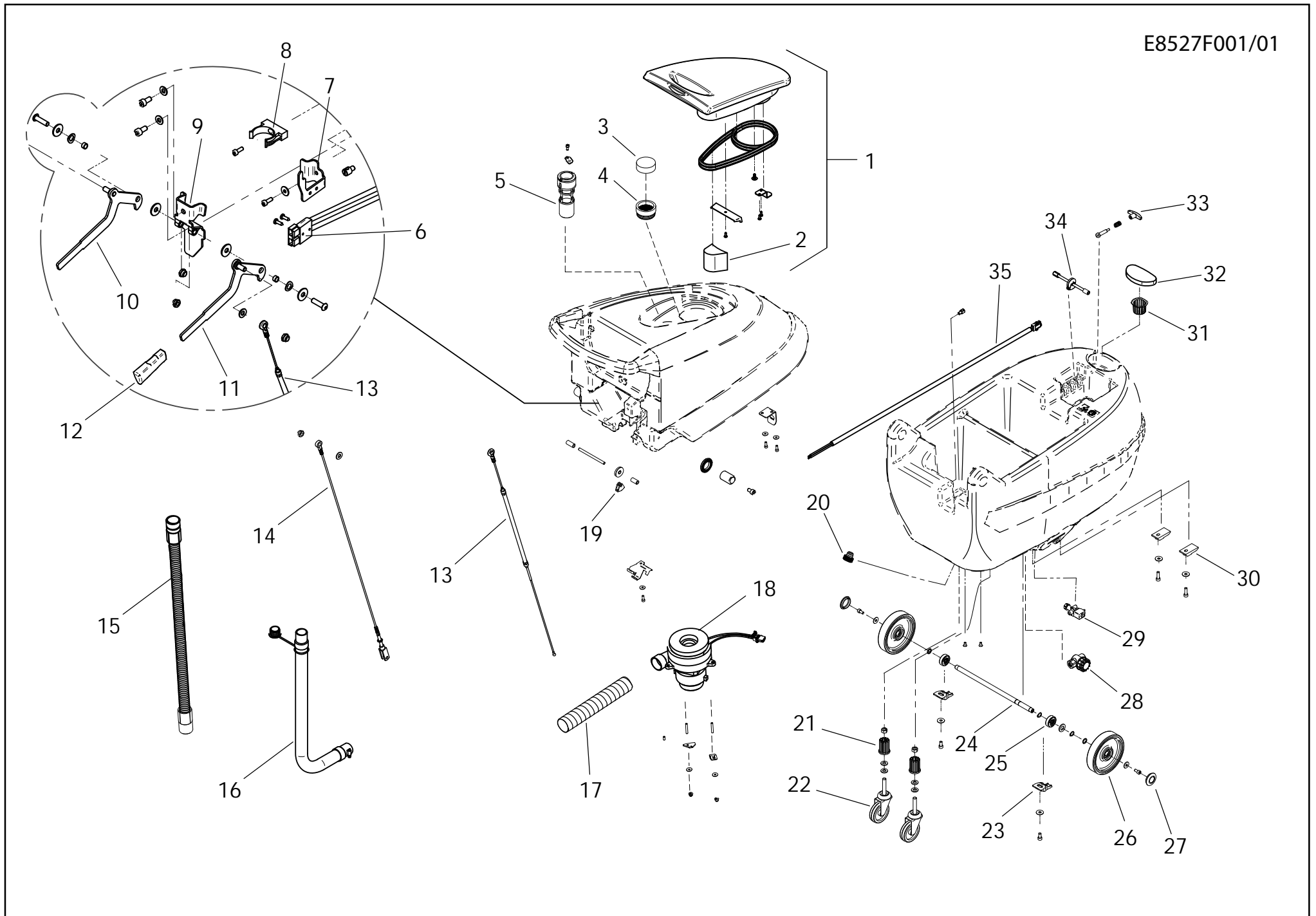
DATA INIZIO VAL.: 01/11/2013 DATA FINE VAL.: 01/01/3000

CODICE GRUPPO: R55092079 REV.: 1 DESCRIZIONE: SQUEEGEE

DATA INIZIO VAL.: 02/15/2012 DATA FINE VAL.: 01/01/3000 N. TAVOLA: E55092079/01

CODICE:	DESCRIZIONE:	QTA':	POS:	ORD	EXTR.
5.511.1795	SQUEEGEE ASSY	1	00		
4.505.0866	SQUEEGEE L=780 MM SANDBLAST AND CATAPHORESIS TREATMENT	1	01		
4.508.X468	FRONT SQUEEGEE BLADE L.830 TH.2,5	1	02	X	
3.200.0168	O-RING 4143	1	03		
4.508.0505	SQUEEGEE BLADES HOLDER	1	04		
4.508.X467	REAR SQUEEGEE BLADE L.870 TH.3	1	05	X	
3.200.0172	O-RING 3275	1	06		
4.508.1552C	SQUEEGEE SUCTION COMPARTMENT COVER	1	07		
3.099.1265	KNOB D.52 M8	2	08		
3.099.0467	KNOB M8	4	09		
4.508.0224	BUMPER WHEEL D.110 GREY	2	10		X
5.511.1823	SQUEEGEE WHEEL ASSEMBLY	2	11		X
3.099.1189	KNOB M8 H26	1	12		
4.507.1385	ADJUSTING PIN	1	13		
4.507.1076	SPRING	1	14		
4.507.1478	SQUEEGEE SUPPORT	1	15		
3.006.0076	SQUEEGEE WHEEL (D.50)	1	16		X

E8527F001/01



LISTA RICAMBI

CODICE: 8.527.0010 REV.: 1 DESCRIZIONE: KFL50BBC

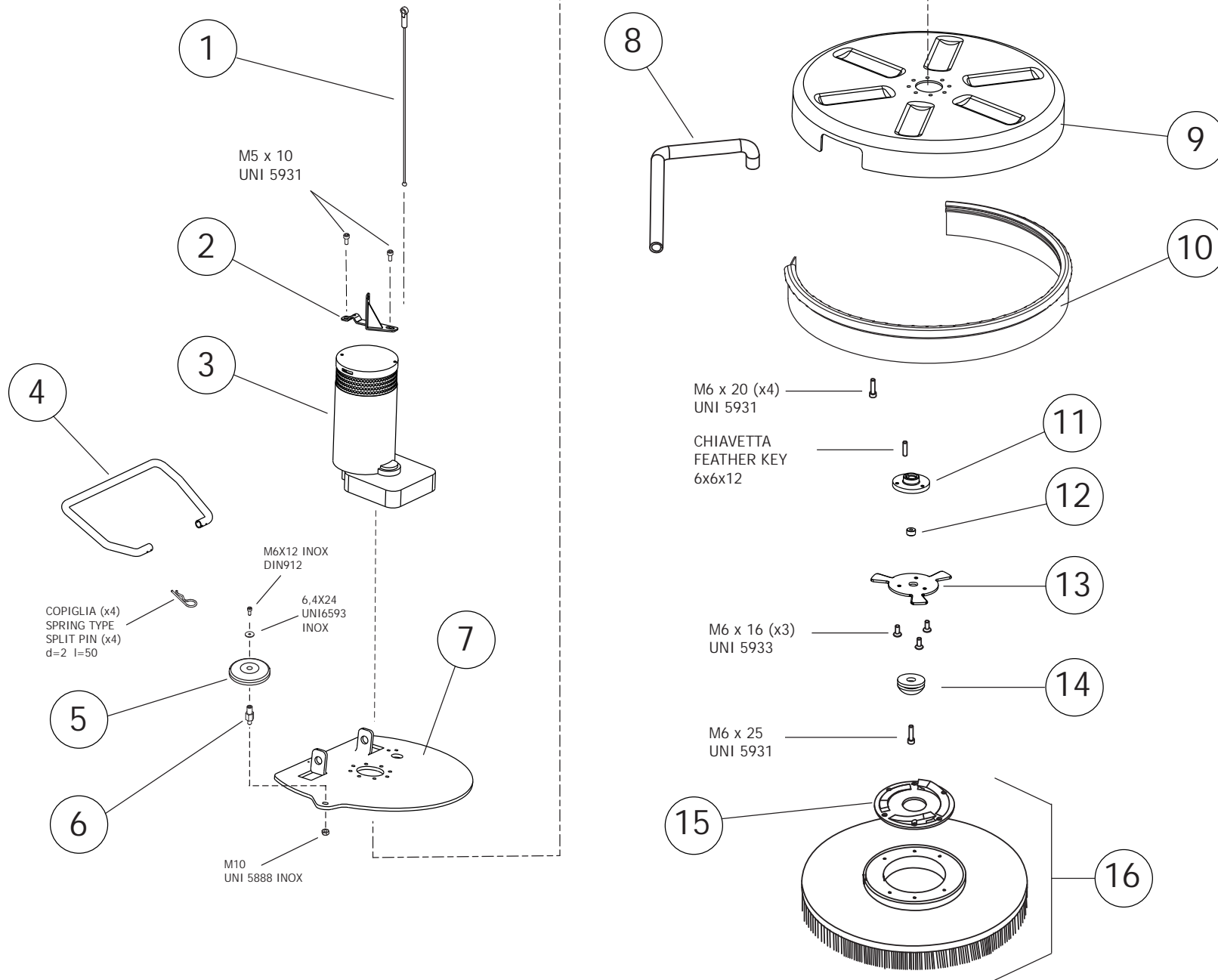
DATA INIZIO VAL.: 01/11/2013 DATA FINE VAL.: 01/01/3000

CODICE GRUPPO: R55092085 REV.: 1 DESCRIZIONE: TANKS

DATA INIZIO VAL.: 05/02/2012 DATA FINE VAL.: 01/01/3000 N. TAVOLA: E8527F001/01

CODICE:	DESCRIZIONE:	QTA':	POS:	ORD	EXTR.
5.511.1657	TANK COVER ASSEMBLY	1	01		
4.508.0766	MT. 8 1/4 CONNECTION H.P. HOSE AIRFOAM GASKET	1	02	X	
4.508.0768	CIRCULAR AIRFOAM GASKET	1	03	X	
4.508.0770	RUBBER FILTER SWIFT B/E	1	04		
5.511.1656	FLOAT ASSEMBLY	1	05		
5.511.0703	BATTERY CONNECTION CABLE ASSEM BLY	1	06		
4.507.0635	BRACKET FOR ANDERSON PLUG	1	07		
3.099.0343	HOSE HOLDER D. 40	1	08		
5.513.0134	LEVER SUPPORT	1	09		
5.513.0133	BRUSH PLATE LIFTING ASSEMBLY	1	10		
5.513.0132	SQG LIFTING LEVER ASSEMBLY	1	11		
4.508.0971	HANDLE SPECIAL LEVEL (15X4)	2	12		
3.099.1329	SQUEEGEE LIFT CABLE	1	13		X
3.099.0881	CABLE D.2,5x133 L=685	1	14		X
5.509.0629	SUCTION HOSE ASSEMBLY	1	15		X
5.511.1655	EXHAUST PIPE ASSEMBLY	1	16		X
3.752.0167	AIR PIPE D.51 LENGHT 300mm	1	17		
5.511.1251	SUCTION MOTOR ASSEMBLY	1	18		X
4.506.0142	PULLEY FORK	1	19		
5.511.0937	TANK DRAIN CAP ASSY	1	20		X
4.508.0866	WHEEL SUPPORT - SWIF B	2	21		
3.006.0128	REVOLVING WHEEL D.80 OIL-PROOF +SCREW M12X80	2	22		X
4.508.0689	FIXING WHEEL AXLE - SWIFT B	2	23		
4.507.0922	WHEEL SHAFT - SWIFT B	1	24		
4.508.0687	AXLE SUPPORT - SWIFT B	2	25		
3.006.0109	WHEEL D.160	2	26		X
3.099.1066	CAP FOR WHEEL - GREY	2	27		
3.102.0023	WATER FILTER WITH FLOW REGULATOR	1	28		X
3.412.0026	SOLENOID VALVE 2 WAYS 1/2 24V	1	29		X
4.507.0793	LEVER SUPPORT PLATE - SWIFT B	2	30		
4.508.1064	DETERGENT TANK FILTER FOR SWIFT/FLICK	1	31		
4.508.0739	SPONGE FILTER	1	32	X	
3.099.0307	HANDLE FOR TIE ROD BLACK MODEL MT/58/FFC-M6	1	33		
5.511.0991	BRUSH PLATE LIFTING AXLE ASSEM BLY	1	34		
3.499.0434	BRUSH MOTOR CABLING FREE BM/BT	1	35		

E8527P001/01



LISTA RICAMBI

CODICE: 8.527.0010 REV.: 1 DESCRIZIONE: **KFL50BBC**

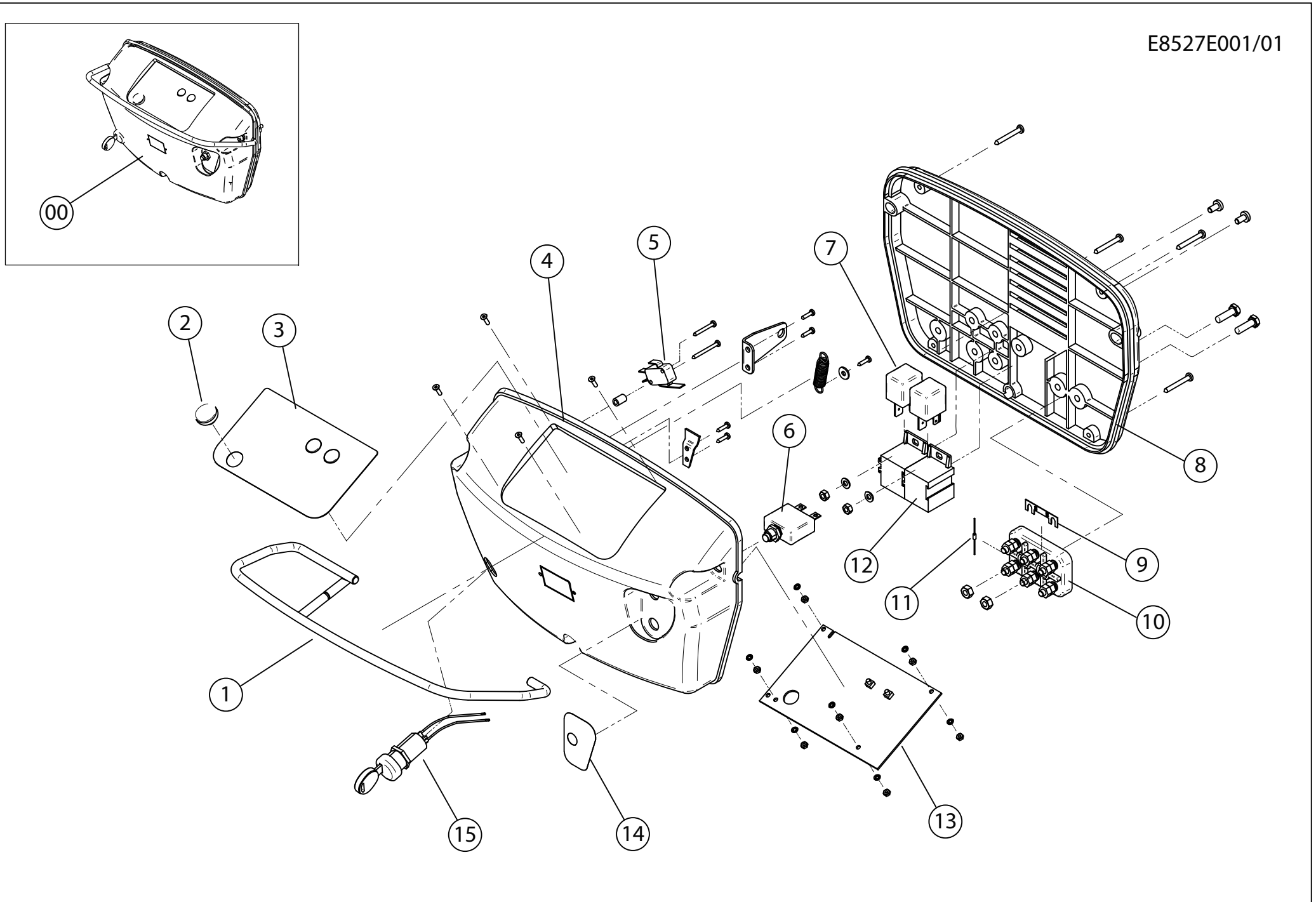
DATA INIZIO VAL.: 01/11/2013 DATA FINE VAL.: 01/01/3000

CODICE GRUPPO: R55092104 REV.: 1 DESCRIZIONE: BRUSH PLATE

DATA INIZIO VAL.: 02/22/2013 DATA FINE VAL.: 01/01/3000 N. TAVOLA: E8527P001/01

CODICE:	DESCRIZIONE:	QTA':	POS:	ORD	EXTR.
3.099.1730	S/S CABLE L=240mm	1	01		X
4.507.1482	BRACKET FOR MOTOR LIFTING CABLE-KFL50BBC	1	02		
5.501.0083	MOTOR+GEARBOX 24V DC 550W 150RPM (HY-231)	1	03		X
4.507.1465	BRUSH PLATE LIFTING BAR - KFL50BBC	1	04		
4.508.0224	BUMPER WHEEL D.110 GREY	1	05		X
4.507.0308	SUPPORT FOR BUMPER WHEEL	1	06		
4.507.1463	BRUSH PLATE	1	07		
3.099.0865	HOSE ARMONVILLE D.int.=14 L=58 0	1	08		
4.508.1543	BRUSH COVER 50CM	1	09		
4.508.1554	BUMPER FREE EKO	1	10		X
4.507.1470	BUSHING	1	11		
4.507.1469	BUSHING	1	12		
4.507.0300	BRUSH COUPLING	1	13		
5.511.0867	BRUSH COUPLING ASSEMBLY	1	14		
4.508.1192	UNIFIED FLANGE FOR BRUSH COUPLING	1	15		X
5.511.1097	PPL BRUSH 480 MM. W/UNIFIED COUPLING FLANGE	1	16	X	

E8527E001/01



LISTA RICAMBI

CODICE: 8.527.0010 REV.: 1 DESCRIZIONE: **KFL50BBC**

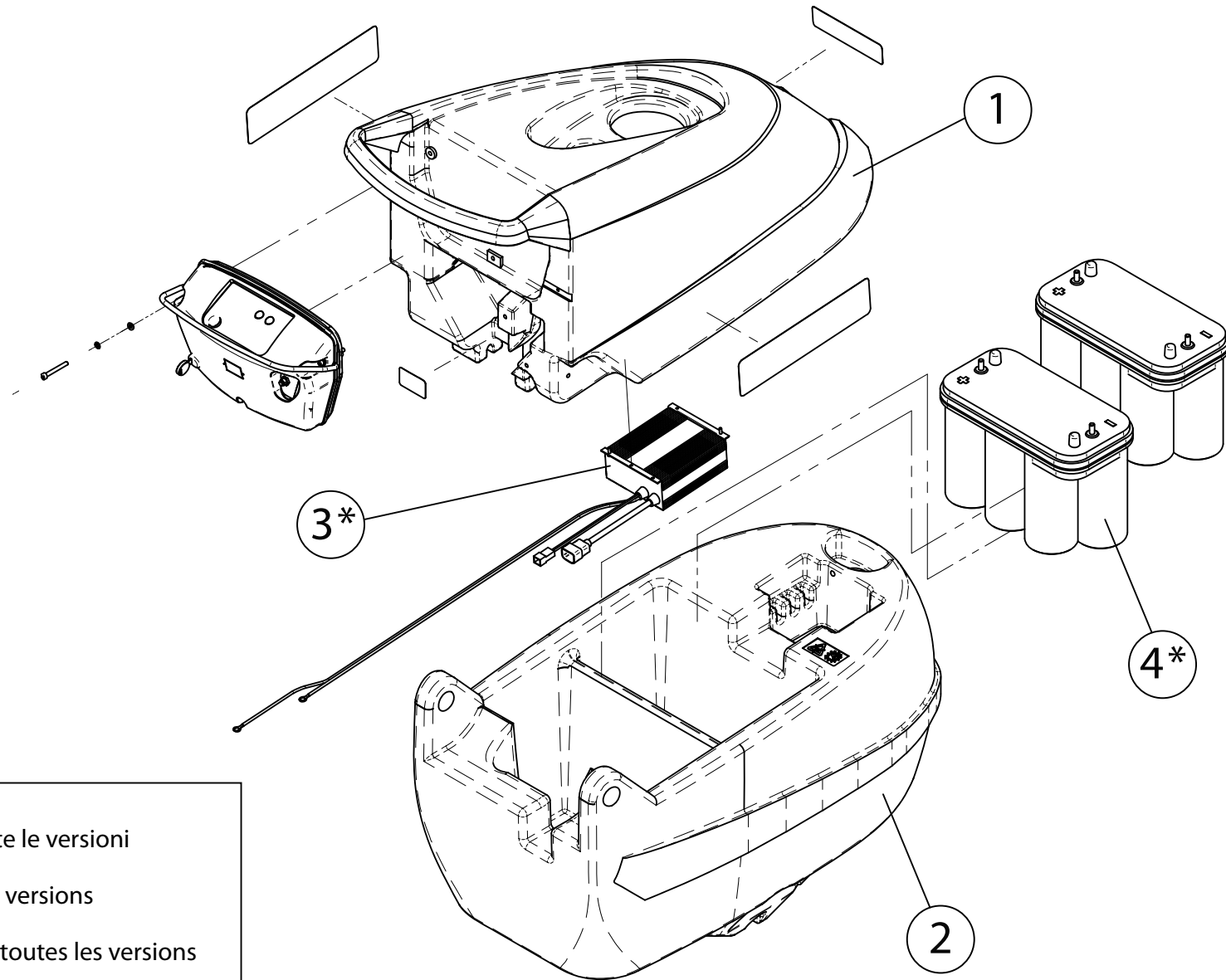
DATA INIZIO VAL.: 01/11/2013 DATA FINE VAL.: 01/01/3000

CODICE GRUPPO: R55110672 REV.: 1 DESCRIZIONE: CONTROLS

DATA INIZIO VAL.: 02/28/2005 DATA FINE VAL.: 01/01/3000 N. TAVOLA: E8527E001/01

CODICE:	DESCRIZIONE:	QTA':	POS:	ORD	EXTR.
5.511.0672	ELECTRIC BOX WITH HARNESS	1	00		
4.507.0706	LEVER	1	01		
3.099.1529	COVER PLUG D. 20	1	02		
7.503.0132	CONTROL STICKER SCK EASY-R (B) COMPACT FREE(B) LWS 145X87 MM	1	03		
4.508.0396	ELECTRIC BOX COVER	1	04		
3.401.0113	MICROSWITCH SAIA XGO2-88-J24	1	05		X
3.401.0119	THERMAL CIRCUIT BREAKER 25A	1	06		X
3.402.0017	RELAY AUTOMOTIVE CB1AH-24V 70A	2	07		X
4.508.0397	ELECTRIC BOX SUPPORT	1	08		
3.499.0135	STRIP FUSE 60A	1	09		X
3.405.0045	TERMINAL BOARD MEC584 70-45	1	10		
3.499.0276	DIODE TYPE 1N4007	1	11		
3.410.0022	RELAY SUPPORT FOR CB1AH	2	12		
4.515.0002	CONTROL BOARD 24V	1	13		X
7.503.0131	LABEL	1	14		
3.499.0406	IGNITION KEY FOR ELECTRONIC DASHBOARD CARD	1	15		X

E8527A001/01



- * = Non incluso in tutte le versioni
- * = Not included in all versions
- * = Pas présents dans toutes les versions
- * = No incluido en todas las versiones

LISTA RICAMBI

CODICE: 8.527.0010 REV.: 1 DESCRIZIONE: **KFL50BBC**

DATA INIZIO VAL.: 01/11/2013 DATA FINE VAL.: 01/01/3000

CODICE GRUPPO: R8527AC01 REV.: 1 DESCRIZIONE: ACCESSORIES/COMPONENTS - B-BT/GR

DATA INIZIO VAL.: 04/24/2012 DATA FINE VAL.: 01/01/3000 N. TAVOLA: E8527A001/01

CODICE:	DESCRIZIONE:	QTA':	POS:	ORD	EXTR.
4.508.0780	RECOVERY TANK - LIGHT GREY	1	01		
4.508.0477	SOLUTION TANK SWIFT B - GREY	1	02		
0.108.0042	BATTERY CHARGER CBHD1 24V 10A IU1a-Gel	1	03		X
0.107.0054	BATTERY 12V 75AH YTS 5.5	2	04		X



KRÜGER TECHNOLOGY S.L.
B-82526583
Polígono Agustinos C/G Parcela B2
31013 Pamplona (Navarra) - ESPAÑA
+34 948 343 393 - info@kruger.es - www.kruger.es