

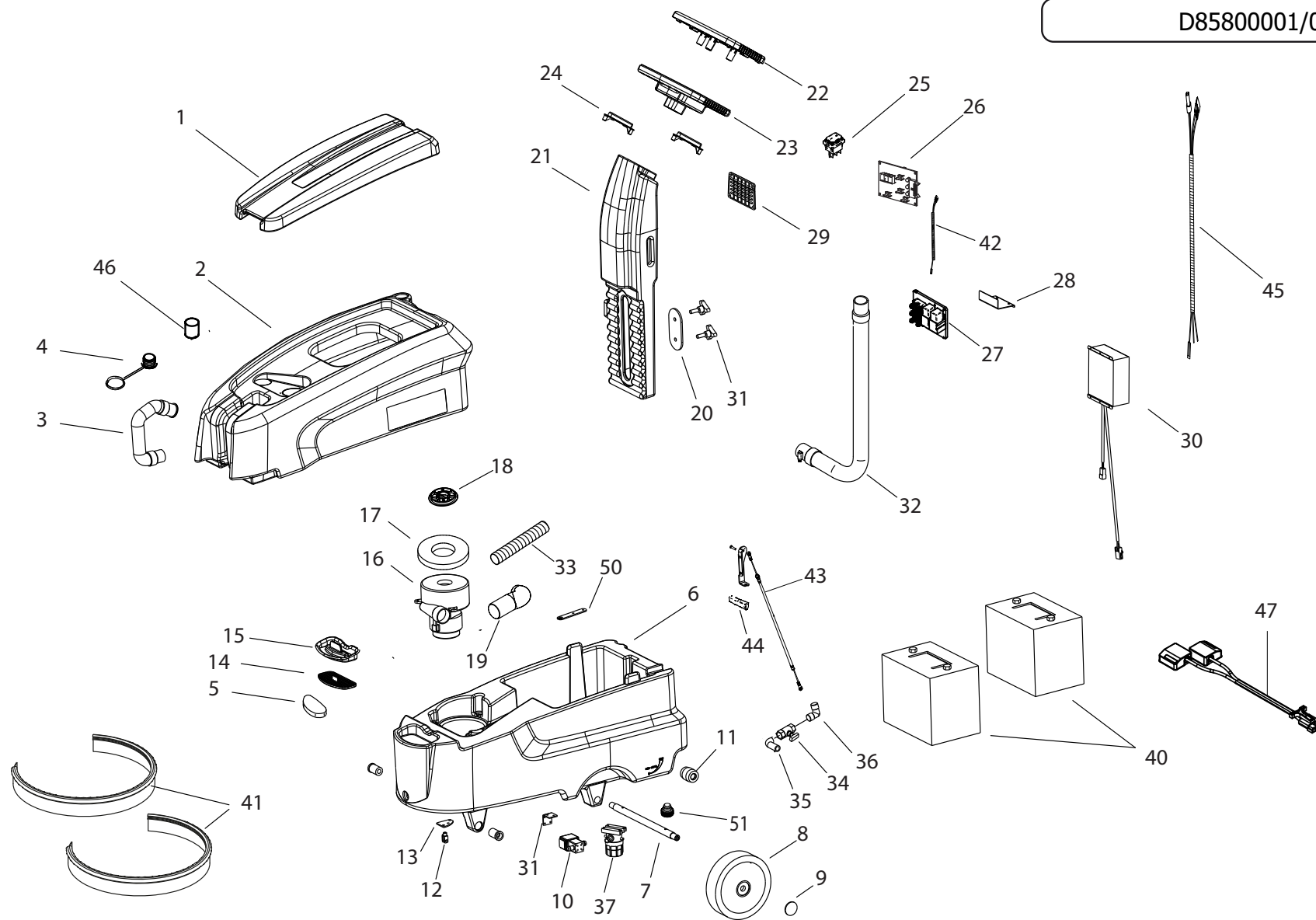


## DESPIECE TÉCNICO KFL45E



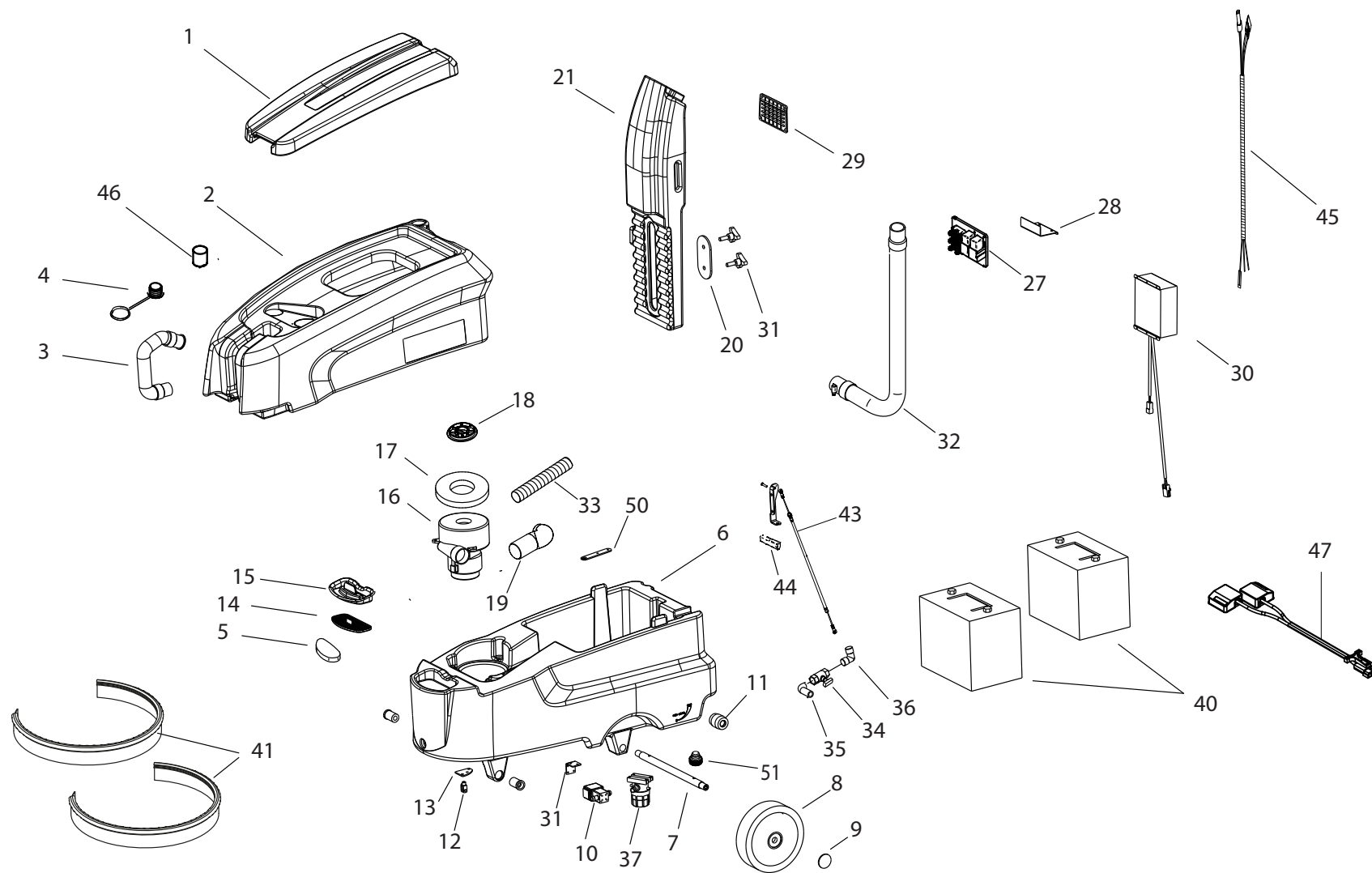
R85800001 - Despiece Técnico KFL45E.....	3
R55092187 - GRUPPO PIATTO SPAZZOLA DYNAMIC ELETTRICA.....	8
R55110083 - ASSIEME SUPPORTO SQG DYNAMIC.....	10
R55110084 - ASSIEME SQG DYNAMIC.....	12
R55111940 - ASSIEME GALLEGGIANTE DYNAMIC BATTERIA.....	14
R55111941 - ASSIEME SPAZZOLA PPL MOD 430 SX - SETOLE DIRITTE DYNAMIC.....	16
R55111947 - ASSIEME IMPUGNATURA DYNAMIC C/LEVE PRESENZA OPERATORE -G- PANT.108C.....	18
R55111952 - ASSIEME GALLEGGIANTE DYNAMIC ELETTRICA.....	20
Components index.....	22

D8580001/01



Despiece Técnico KFL45E

D85800001/02



Despiece Técnico KFL45E

Pos.	Code	Substituted by	Q.ty	Purchasable	Min. Q.ty	For mainten.	Description
0	R55092187		1	No			GRUPPO PIATTO SPAZZOLA DYNAMIC ELETTRICA
0	R55110083		1	No			ASSIEME SUPPORTO SQG DYNAMIC
0	R55110084		1	No			ASSIEME SQG DYNAMIC
0	R55111940		1	No			ASSIEME GALLEGGIANTE DYNAMIC BATTERIA
0	R55111941		1	No			ASSIEME SPAZZOLA PPL MOD 430 SX - SETOLE DIRITTE DYNAMIC
0	R55111947		1	No			ASSIEME IMPUGNATURA DYNAMIC C/LEVE PRESENZA OPERATORE -G-PANT.108C
0	R55111952		1	No			ASSIEME GALLEGGIANTE DYNAMIC ELETTRICA
001	4.508.1307	5.511.1951	1	Yes	1		COPERCHIO SERBATOIO SUPERIORE DYNAMIC -GR- RAL.7016
002	4.508.1308		1	Yes	1		SERBATOIO SUPERIORE RECUPERO DYNAMIC GR.CH. RAL.7040
003	3.752.0290		1	Yes	1	EXT	TUBO DI SCARICO L=30cm DYNAMIC
004	4.208.0274		1	Yes	6	EXT	DIAM.32mm CAP
005	4.508.1086		1	Yes	6	ORD	FILTER SUCTION
006	4.508.1309		1	No			SERBATOIO INFERIORE SOLUZIONE DYNAMIC -GR- RAL.7016
007	4.507.1574		1	Yes	1		ASSALE RUOTE DYNAMIC
008	3.006.0167		2	Yes	1		RUOTA D.200 DYNAMIC
009	3.099.1066		2	Yes	2		CAP FOR WHEEL - GREY
010	3.412.0047		1	Yes	1	EXT	SOLENOID VALVE 220-230V
012	3.099.0337		1	Yes	3		WATER GEAR CONTROL M6+CLIP
012	4.507.1577		1	Yes	3		STAFFA FISSAGGIO SOSTEGNO LEVA DYNAMIC
013	4.507.1577		1	Yes	3		STAFFA FISSAGGIO SOSTEGNO LEVA DYNAMIC
013	3.099.0337		1	Yes	3		WATER GEAR CONTROL M6+CLIP
014	4.508.1313		1	Yes	6		GRIGLIA FILTRO SERBATOIO DYNAMIC -N-
015	4.508.1312		1	Yes	6		TAPPO SERBATOIO DYNAMIC -G- PANT.108C
016	3.755.0013		1	Yes	1	EXT	TWO STAGE SUCTION MOTOR 230V 1000W
017	4.508.0123		1	Yes	2		SUCTION MOTOR GASKET
018	4.508.0518		1	Yes	6		PROTECTION
019	4.508.1648		1	Yes	2		CURVA 90° IN GOMMA COMFORT XXS
020	4.507.1584		1	Yes	1		PIASTRA FISSAGGIO PIANTONE DYNAMIC
021	4.508.1310		1	Yes	1		PIANTONE DYNAMIC -GR- RAL.7016
027	3.403.0273		1	Yes	1		SCHEDA DI CONTROLLO DYNAMIC ELETTRICA
029	4.508.1317		1	Yes	6		COPERCHIO BOX ELETTRICO DYNAMIC -N-

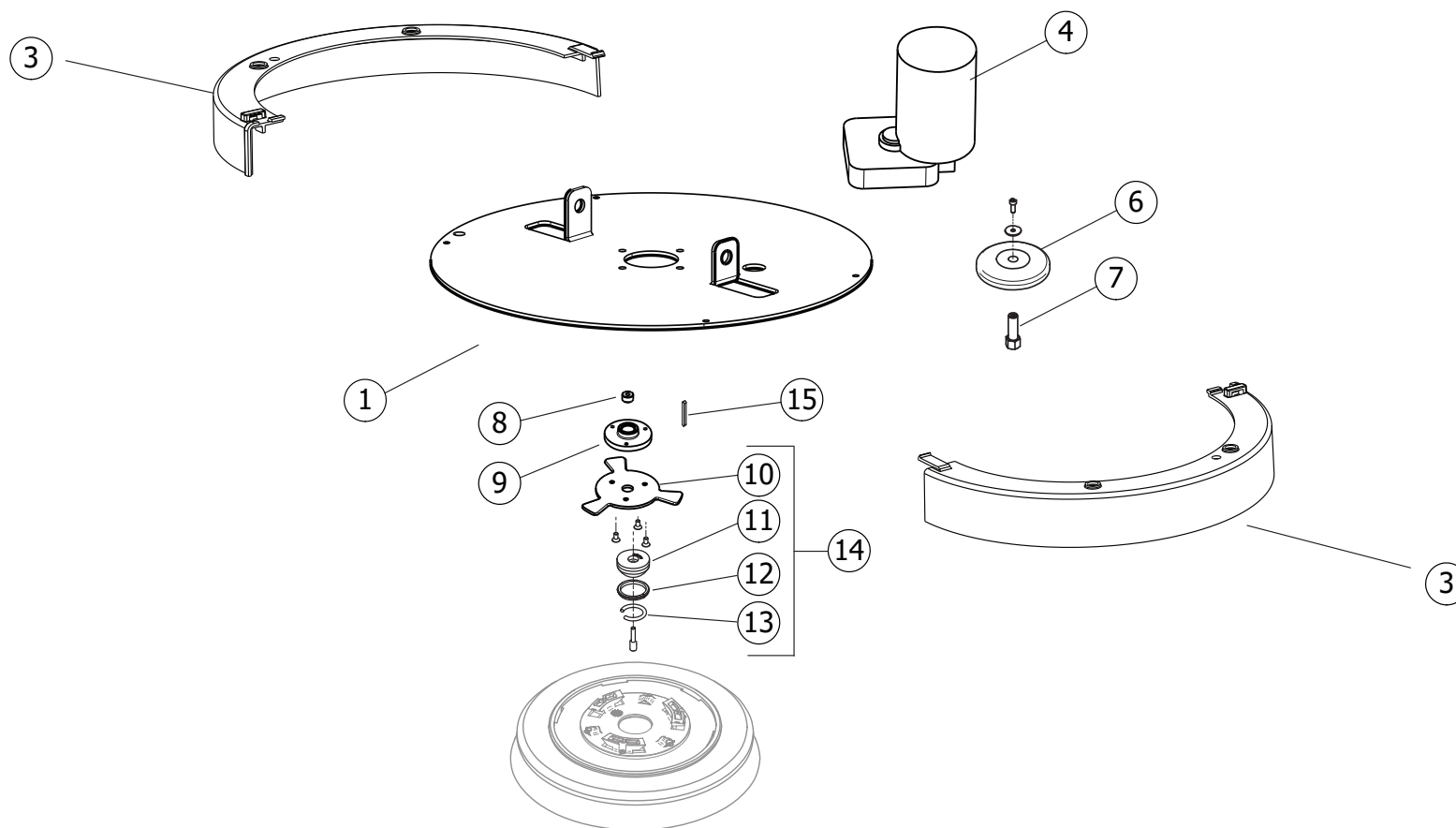
Despiece Técnico KFL45E

Pos.	Code	Substituted by	Q.ty	Purchasable	Min. Q.ty	For mainten.	Description
031	4.507.1575		1	Yes	2		STAFFA PER ELETTROVALVOLA DYNAMIC
031	3.099.1900		2	Yes	3		VOLANTINO LOBI PROLUNGATO D.52 M8x23
033	3.752.0293		1	Yes	1		TUBO SIFONE DYNAMIC
034	3.105.0018		1	Yes	1		RUBINETTO ACQUA C/LEVA GIALLA DYNAMIC
035	3.100.0218		1	Yes	6		HOSE FITTING UNION ELBOW
036	3.100.0357		1	Yes	2		ELBOW 1/2"M 1/2"M
037	3.102.0026		1	Yes	1	ORD	WATER FILTER WITHOUT FLOW REGULATOR
041	4.508.1969		2	Yes	1	EXT	BOOMPER PER PIATTO DYNAMIC L=685 H=30
043	3.099.1893		1	Yes	1	EXT	GRUPPO SOLLEVAMENTO SQG DYNAMIC (CAVO L=95 C/GUAINA)
044	4.508.0944		1	Yes	3		HANDLE
046	4.508.1649		1	Yes	1	ORD	FILTRO SPUGNA INSONORIZZANTE COMFORT XXS
050	4.507.1582		1	Yes	3		PIASTRA PASSAGGIO CAVO SOLLEVAMENTO SQG DYNAMIC
051	5.511.0937		1	Yes	1	EXT	TANK DRAIN CAP ASSY

Pos.	Code	Substituted by	Q.ty	Purchasable	Min. Q.ty	For mainten.	Description
0	R55092187		1	No			GRUPPO PIATTO SPAZZOLA DYNAMIC ELETTRICA
0	R55110083		1	No			ASSIEME SUPPORTO SQG DYNAMIC
0	R55110084		1	No			ASSIEME SQG DYNAMIC
0	R55111940		1	No			ASSIEME GALLEGGIANTE DYNAMIC BATTERIA
0	R55111941		1	No			ASSIEME SPAZZOLA PPL MOD 430 SX - SETOLE DIRITTE DYNAMIC
0	R55111947		1	No			ASSIEME IMPUGNATURA DYNAMIC C/LEVE PRESENZA OPERATORE -G-PANT.108C
0	R55111952		1	No			ASSIEME GALLEGGIANTE DYNAMIC ELETTRICA
001	4.508.1307	5.511.1951	1	Yes	1		COPERCHIO SERBATOIO SUPERIORE DYNAMIC -GR- RAL.7016
002	4.508.1308		1	Yes	1		SERBATOIO SUPERIORE RECUPERO DYNAMIC GR.CH. RAL.7040
003	3.752.0290		1	Yes	1	EXT	TUBO DI SCARICO L=30cm DYNAMIC
004	4.208.0274		1	Yes	6	EXT	DIAM.32mm CAP
005	4.508.1086		1	Yes	6	ORD	FILTER SUCTION
006	4.508.1309		1	No			SERBATOIO INFERIORE SOLUZIONE DYNAMIC -GR- RAL.7016
007	4.507.1574		1	Yes	1		ASSALE RUOTE DYNAMIC
008	3.006.0167		2	Yes	1		RUOTA D.200 DYNAMIC
009	3.099.1066		2	Yes	2		CAP FOR WHEEL - GREY

Despiece Técnico KFL45E

Pos.	Code	Substituted by	Q.ty	Purchasable	Min. Q.ty	For mainten.	Description
010	3.412.0047		1	Yes	1	EXT	SOLENOID VALVE 220-230V
012	3.099.0337		1	Yes	3		WATER GEAR CONTROL M6+CLIP
012	4.507.1577		1	Yes	3		STAFFA FISSAGGIO SOSTEGNO LEVA DYNAMIC
013	4.507.1577		1	Yes	3		STAFFA FISSAGGIO SOSTEGNO LEVA DYNAMIC
013	3.099.0337		1	Yes	3		WATER GEAR CONTROL M6+CLIP
014	4.508.1313		1	Yes	6		GRIGLIA FILTRO SERBATOIO DYNAMIC -N-
015	4.508.1312		1	Yes	6		TAPPO SERBATOIO DYNAMIC -G- PANT.108C
016	3.755.0013		1	Yes	1	EXT	TWO STAGE SUCTION MOTOR 230V 1000W
017	4.508.0123		1	Yes	2		SUCTION MOTOR GASKET
018	4.508.0518		1	Yes	6		PROTECTION
019	4.508.1648		1	Yes	2		CURVA 90° IN GOMMA COMFORT XXS
020	4.507.1584		1	Yes	1		PIASTRA FISSAGGIO PIANTONE DYNAMIC
021	4.508.1310		1	Yes	1		PIANTONE DYNAMIC -GR- RAL.7016
027	3.403.0273		1	Yes	1		SCHEDA DI CONTROLLO DYNAMIC ELETTRICA
029	4.508.1317		1	Yes	6		COPERCHIO BOX ELETTRICO DYNAMIC -N-
031	4.507.1575		1	Yes	2		STAFFA PER ELETTROVALVOLA DYNAMIC
031	3.099.1900		2	Yes	3		VOLANTINO LOBI PROLUNGATO D.52 M8x23
033	3.752.0293		1	Yes	1		TUBO SIFONE DYNAMIC
034	3.105.0018		1	Yes	1		RUBINETTO ACQUA C/LEVA GIALLA DYNAMIC
035	3.100.0218		1	Yes	6		HOSE FITTING UNION ELBOW
036	3.100.0357		1	Yes	2		ELBOW 1/2"M 1/2"M
037	3.102.0026		1	Yes	1	ORD	WATER FILTER WITHOUT FLOW REGULATOR
041	4.508.1969		2	Yes	1	EXT	BOOMPER PER PIATTO DYNAMIC L=685 H=30
043	3.099.1893		1	Yes	1	EXT	GRUPPO SOLLEVAMENTO SQG DYNAMIC (CAVO L=95 C/GUAINA)
044	4.508.0944		1	Yes	3		HANDLE
046	4.508.1649		1	Yes	1	ORD	FILTRO SPUGNA INSONORIZZANTE COMFORT XXS
050	4.507.1582		1	Yes	3		PIASTRA PASSAGGIO CAVO SOLLEVAMENTO SQG DYNAMIC
051	5.511.0937		1	Yes	1	EXT	TANK DRAIN CAP ASSY

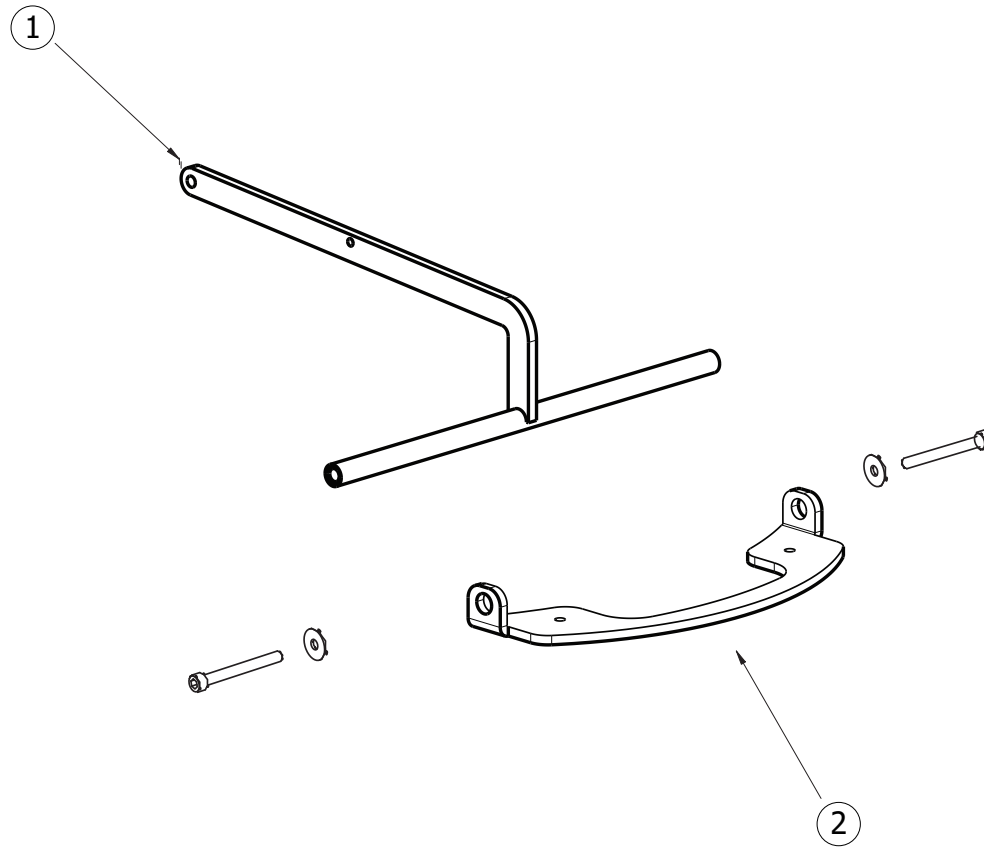




Pos.	Code	Substituted by	Q.ty	Purchasable	Min. Q.ty	For mainten.	Description
001	4.507.1576		1	Yes	1		PIATTO SPAZZOLA - DYNAMIC
003	4.508.1311		2	Yes	2		CARTER PARASPRUZZI DYNAMIC -N-
004	5.501.0090		1	Yes	1		MOTORIDUTTORE PER SPAZZOLA 230V 50Hz AC 300W 145RPM (HC114AC)
006	4.508.0224		1	Yes	2	EXT	BUMPER WHEEL D.110 GREY
007	4.507.0308		1	Yes	3		SUPPORT FOR BUMPER WHEEL
008	4.507.1469		1	Yes	6		BUSHING
009	4.507.1470		1	Yes	1		BUSHING
010	4.507.0300		1	Yes	1		BRUSH COUPLING
011	4.508.0290		1	Yes	2		BRUSH COUPLING CENTERING BUSHING
012	4.508.0314		1	Yes	2		OPENED RING
013	3.200.0127		1	Yes	2		O-RING D=5.34 L=106
014	6.505.0006		1	Yes	1		BRUSH COUPLING KIT
015	3.099.0870		1	Yes	12		FEATHER KEY 6X6X12 UNI 6604 A

Despiece Técnico KFL45E

D55110062/01

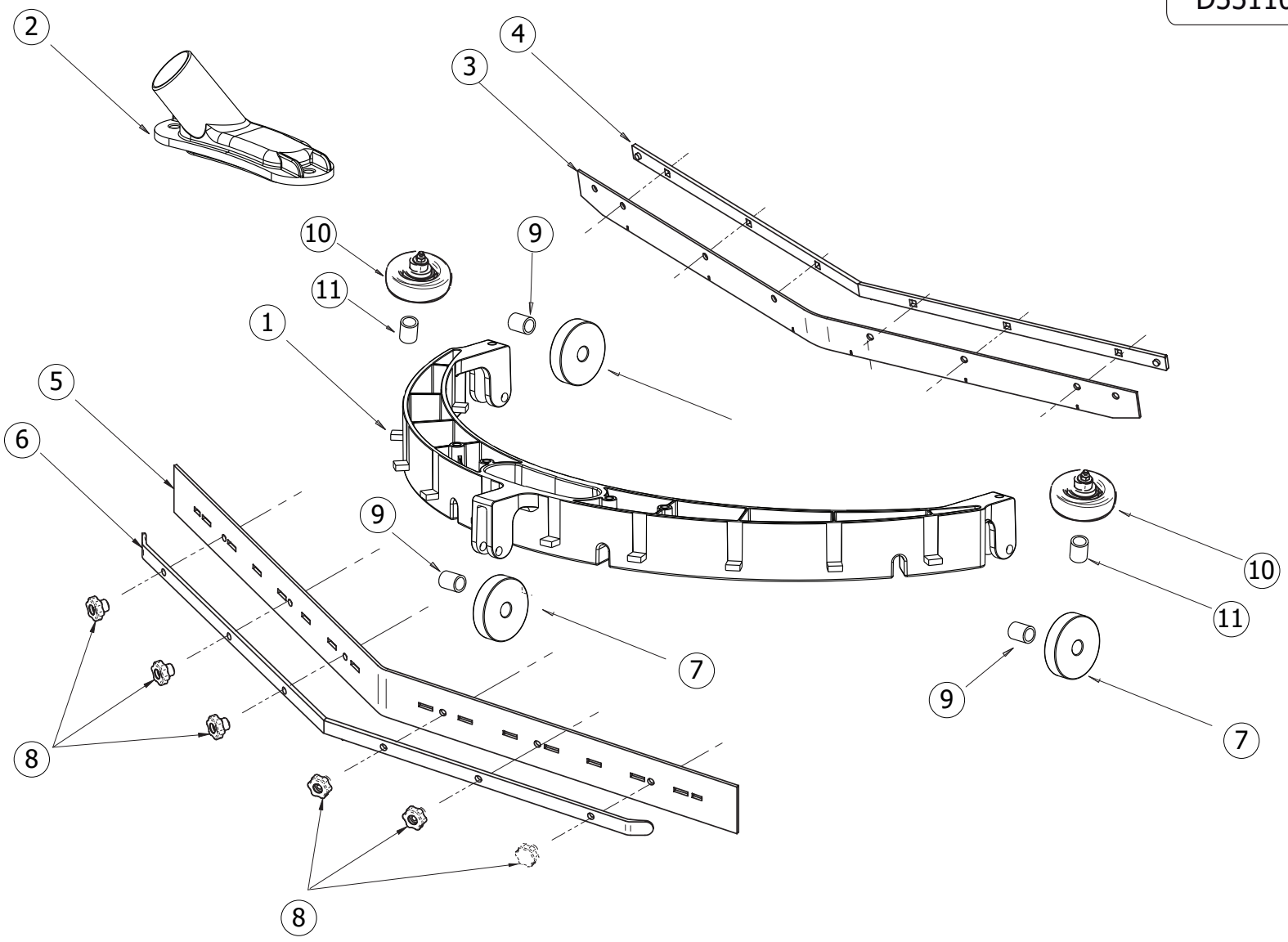


Despiece Técnico KFL45E

Pos.	Code	Substituted by	Q.ty	Purchasable	Min. Q.ty	For mainten.	Description
001	4.507.1579		1	Yes	1		LEVA DI SOLLEVAMENTO SQG DYNAMIC
002	4.507.1578		1	Yes	1		SUPPORTO SQUEGEE DYNAMIC

*Despiece Técnico KFL45E*

D55110061/01

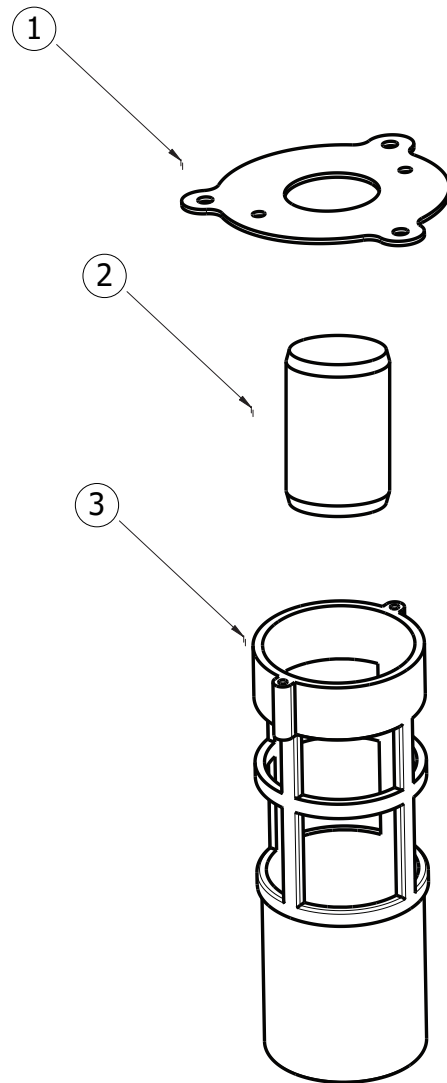


Despiece Técnico KFL45E

Pos.	Code	Substituted by	Q.ty	Purchasable	Min. Q.ty	For mainten.	Description
001	4.505.0881		1	Yes	1		CORPO SQUEEGEE DYNAMIC (SABBIATURA-CATAFORESI + VERNIC.POLVERE NERA)
002	4.508.1318		1	Yes	6		COPERCHIO SIFONE SQUEEGEE DYNAMIC -N-
003	4.508.1319		1	Yes	2	ORD	LAMA RASATRICE ANTERIORE L=665 IN GOMMA -DYNAMIC-
004	4.507.1580		1	Yes	1		FERMALAMA ANTERIORE DYNAMIC
005	4.508.1320		1	Yes	2	ORD	LAMA RASATRICE POSTERIORE L=775 IN GOMMA -DYNAMIC-
006	4.507.1581		1	Yes	1		FERMALAMA POSTERIORE DYNAMIC
007	4.508.1322		3	Yes	2	EXT	RUOTA SCORRIMENTO SQG -N-
008	3.099.0477		6	Yes	2		KNOB M6 (THREADED PASS-THROUGH HOLE)
009	4.506.0278		3	Yes	12		BOCCOLA PER RUOTA SCORRIMENTO SQG DYNAMIC
010	3.006.0075		2	Yes	6	EXT	SQUEEGEE WHEEL D.50X21 D.8
011	4.506.0132		2	Yes	6		BUSHING

Despiece Técnico KFL45E

D55110063/01

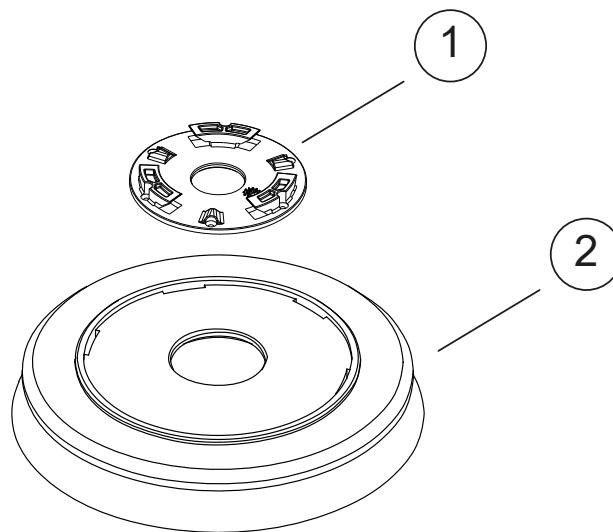


Despiece Técnico KFL45E

Pos.	Code	Substituted by	Q.ty	Purchasable	Min. Q.ty	For mainten.	Description
001	4.507.1129		1	Yes	4		INTERFACE FLOAT
002	4.508.1693		1	Yes	2		GALLEGGIANTE DYNAMIC
003	4.408.0224		1	Yes	5		SUPPORT PIPE FOR FLOATING

Despiece Técnico KFL45E

D55110033/01



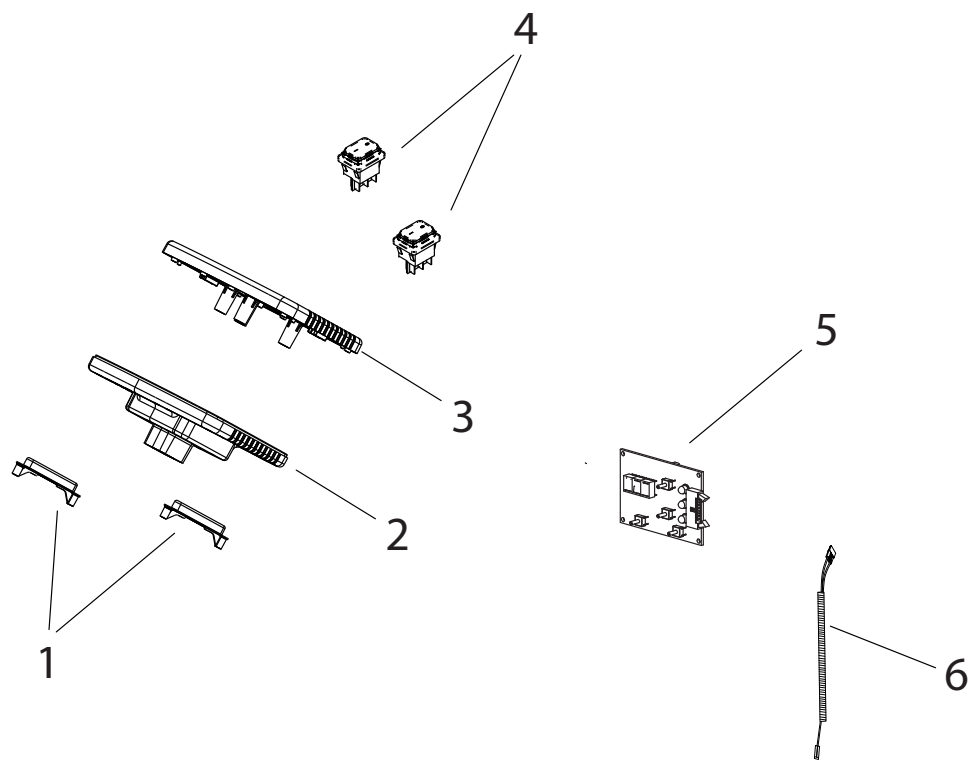
Despiece Técnico KFL45E



Pos.	Code	Substituted by	Q.ty	Purchasable	Min. Q.ty	For mainten.	Description
001	4.508.0291		1	Yes	2	EXT	FLANGE
002	3.602.0068		1	Yes	1		SPAZZOLA PPL CORPO 430mm IMPR.TERRA 430mm (MOD.43)

Despiece Técnico KFL45E

D55110064/01

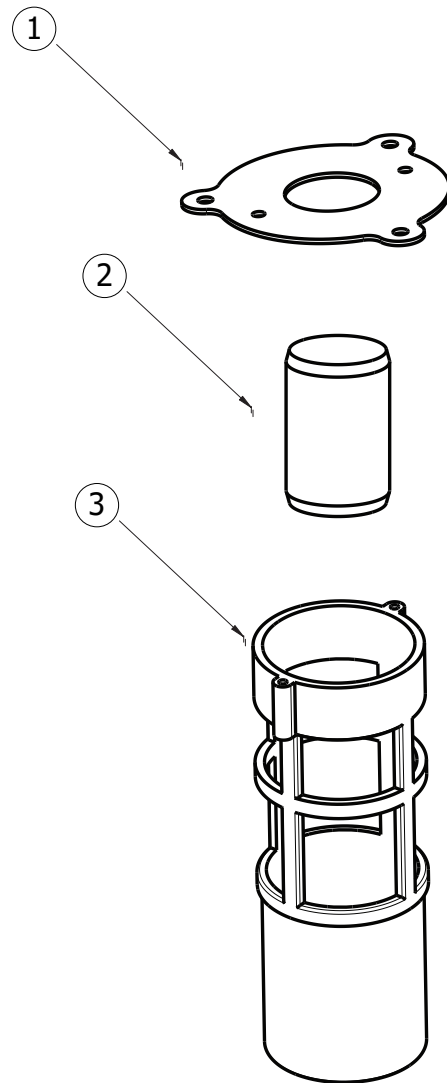


Despiece Técnico KFL45E

Pos.	Code	Substituted by	Q.ty	Purchasable	Min. Q.ty	For mainten.	Description
001	4.508.1316		2	Yes	12		LEVA PRESENZA OPERATORE DYNAMIC -G- PANT.108C
002	4.508.1315		1	Yes	2		GUSCIO INFERIORE IMPUGNATURA DYNAMIC -N-
003	4.508.1314		1	Yes	2		GUSCIO SUPERIORE IMPUGNATURA DYNAMIC -N-
004	3.401.0181		2	Yes	4	EXT	SWITCH FOR CHEMICAL/WATER
005	3.403.0270		1	Yes	1		SCHEDA COMANDI PANNELLO DYNAMIC BATTERIA/ELETTRICA
006	4.512.0124		1	Yes	1		CABLAGGIO COMUNICAZIONE SCHEDA CONTROLLO-TASTIERA DYNAMIC

Despiece Técnico KFL45E

D55110063/01



Despiece Técnico KFL45E

Pos.	Code	Substituted by	Q.ty	Purchasable	Min. Q.ty	For mainten.	Description
001	4.507.1129		1	Yes	4		INTERFACE FLOAT
002	4.508.1693		1	Yes	2		GALLEGGIANTE DYNAMIC
003	4.408.0224		1	Yes	5		SUPPORT PIPE FOR FLOATING

Despiece Técnico KFL45E

Code	Parts Table	Pos.	Q.ty
3.006.0075	R55110084	010	2
3.006.0167	R85800001	008	2
3.099.0337	R85800001	012	1
	R85800001	013	1
3.099.0477	R55110084	008	6
3.099.0870	R55092187	015	1
3.099.1066	R85800001	009	2
3.099.1893	R85800001	043	1
3.099.1900	R85800001	031	2
3.100.0218	R85800001	035	1
3.100.0357	R85800001	036	1
3.102.0026	R85800001	037	1
3.105.0018	R85800001	034	1
3.200.0127	R55092187	013	1
3.401.0181	R55111947	004	2
3.403.0270	R55111947	005	1
3.403.0273	R85800001	027	1
3.412.0047	R85800001	010	1
3.602.0068	R55111941	002	1
3.752.0290	R85800001	003	1
3.752.0293	R85800001	033	1
3.755.0013	R85800001	016	1
4.208.0274	R85800001	004	1
4.408.0224	R55111940	003	1
	R55111952	003	1
4.505.0881	R55110084	001	1
4.506.0132	R55110084	011	2
4.506.0278	R55110084	009	3
4.507.0300	R55092187	010	1
4.507.0308	R55092187	007	1
4.507.1129	R55111940	001	1

Code	Parts Table	Pos.	Q.ty
	R55111952	001	1
4.507.1469	R55092187	008	1
4.507.1470	R55092187	009	1
4.507.1574	R85800001	007	1
4.507.1575	R85800001	031	1
4.507.1576	R55092187	001	1
4.507.1577	R85800001	012	1
	R85800001	013	1
4.507.1578	R55110083	002	1
4.507.1579	R55110083	001	1
4.507.1580	R55110084	004	1
4.507.1581	R55110084	006	1
4.507.1582	R85800001	050	1
4.507.1584	R85800001	020	1
4.508.0123	R85800001	017	1
4.508.0224	R55092187	006	1
4.508.0290	R55092187	011	1
4.508.0291	R55111941	001	1
4.508.0314	R55092187	012	1
4.508.0518	R85800001	018	1
4.508.0944	R85800001	044	1
4.508.1086	R85800001	005	1
4.508.1307	R85800001	001	1
4.508.1308	R85800001	002	1
4.508.1309	R85800001	006	1
4.508.1310	R85800001	021	1
4.508.1311	R55092187	003	2
4.508.1312	R85800001	015	1
4.508.1313	R85800001	014	1
4.508.1314	R55111947	003	1
4.508.1315	R55111947	002	1

Code	Parts Table	Pos.	Q.ty
4.508.1316	R55111947	001	2
4.508.1317	R85800001	029	1
4.508.1318	R55110084	002	1
4.508.1319	R55110084	003	1
4.508.1320	R55110084	005	1
4.508.1322	R55110084	007	3
4.508.1648	R85800001	019	1
4.508.1649	R85800001	046	1
4.508.1693	R55111940	002	1
	R55111952	002	1
4.508.1969	R85800001	041	2
4.512.0124	R55111947	006	1
5.501.0090	R55092187	004	1
5.511.0937	R85800001	051	1
6.505.0006	R55092187	014	1