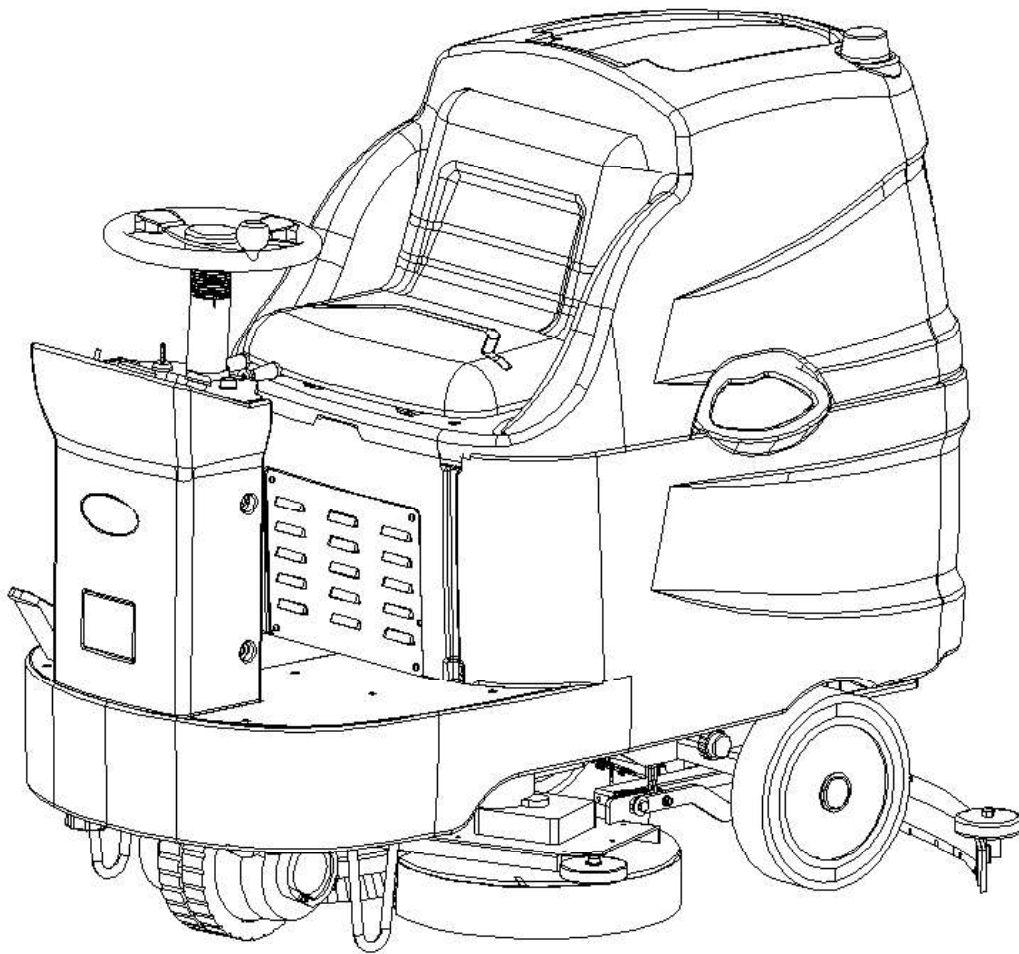


— SCHEMATIC DRAWINGS —

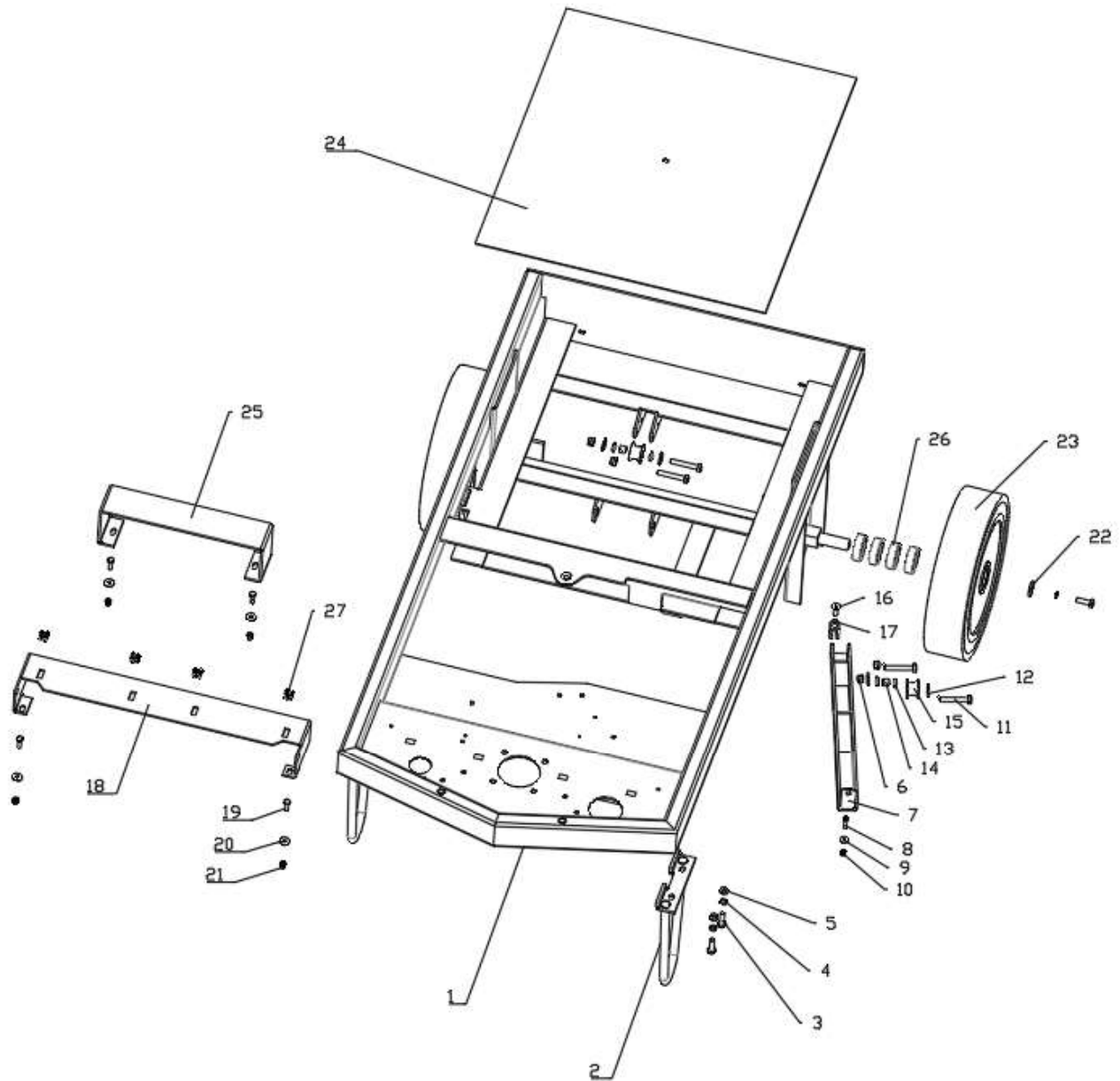
Ride-on Scrubber Dryer

KF85180B



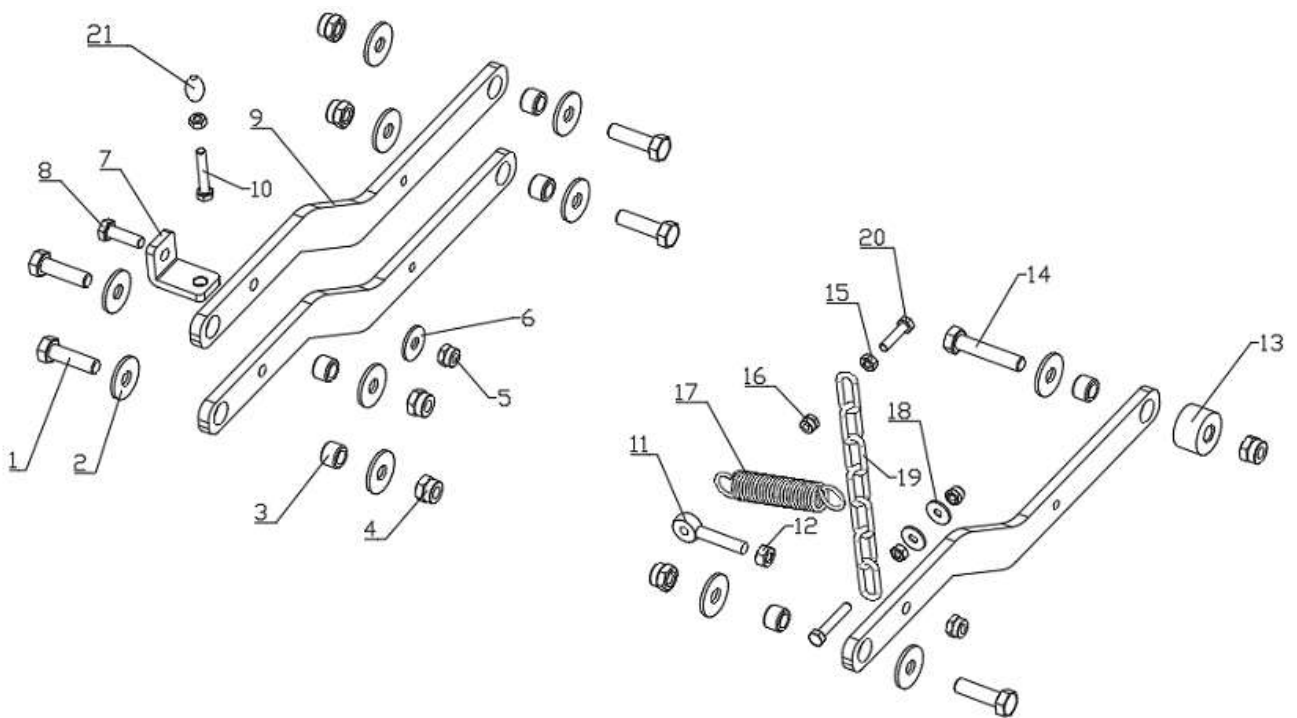
Content

1. FRAME ASSEMBLY	3
2. NOSE JOINT LEVER ASSEMBLY	4
3. SUPPORT FRAME ASSEMBLY	6
4. LIFTING BRACKET ASSEMBLY	7
5. DRIVER ASSEMBLY	8
6. STEERING ASSEMBLY	9
7. CONTROL PANEL	11
8. SOLUTION TANK ASSEMBLY	12
9. RECOVERY TANK ASSEMBLY	13
10. NOSE ASSEMBLY	15
11. SQUEEGEE ASSEMBLY .	16
12. WATER ASSEMBLY	17
13. ELEETRICE PARTS ASSEMBLY	18

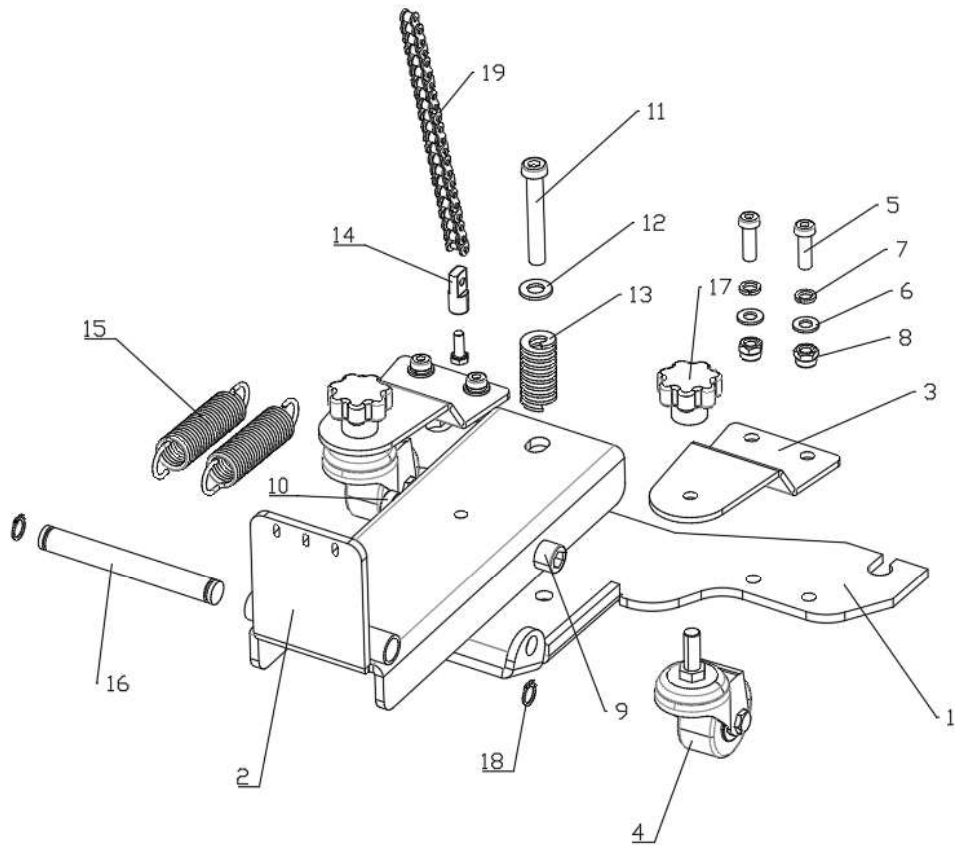


			DESCRIPTION	
1	H010121		FRAME 620*1216	1
2	H010122		SUPPORT 250*136	2
3	N010133		SCREW M8*25 A2	6
4	N010121		LOCK WASHER M8 A2	6
5	N010126		WASHER $\Phi 8 * \Phi 16 * 1$	4
6	N010130		LOCK NUT M8 A2	
7	H010124		RAIL 375*34	1
8	N010124		SCREW M5*20 A2	1

9	N010123		WASHER $\Phi 5*\Phi 15*1$	1
10	N010128		LOCK NUT M5 A2	1
11	N010116		SCREW M8*50 A2	4
12	N010127		WASHER $\Phi 8*\Phi 24*2$	4
13	N010155		688 ZZ BEARING	4
14	M010109		BUSHING $\Phi 8*\Phi 12*11$	2
15	M010114		PULLEY $\Phi 35*20$	2
16	N010173		SCREW M8*18 A2	1
17	N010174		SUPPORT M8*18	1
18	H010123		PEDAL SUPPORT 518*60	1
19	N010118		SCREW M6*20 A2	4
20	N010182		WASHER $\Phi 6*\Phi 18*1$	4
21	N010129		LOCK NUT M6 A2	4
22	N010235		WASHER $\Phi 8*\Phi 32*3$	2
23	P010133		WHEEL $\Phi 300*70$	2
24	H010156		BATTERY BASE 590*532	1
25	H010140		SUPPORT PLATE 300*65	1
26	N010289		6204 BEARING	8
27	N010228		NUT M5 A2	4

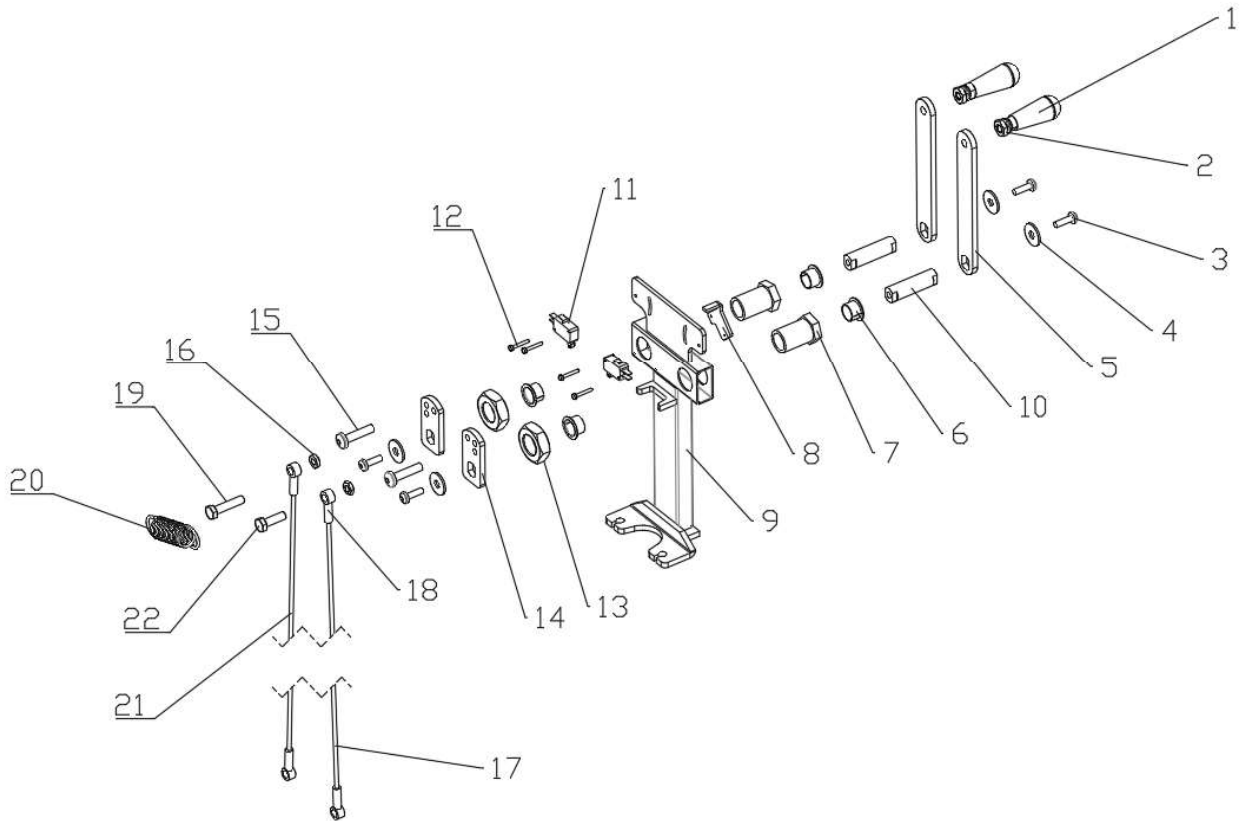


			DESCRIPTION	
1	N010175		SCREW M10*35 A2	5
2	N010176		WASHER $\Phi 10*\Phi 30*2.5$	11
3	M010115		BUSHING 10*16*11.5	6
4	N010177		LOCK NUT M10 A2	6
5	N010130		LOCK NUT M10 A2	2
6	N010127		WASHER $\Phi 8*\Phi 24*2$	1
7	H010126		SUPPORT 36*31	1
8	N010133		SCREW M8*25 A2	1
9	H010125		ARM 366	3
10	N010179		SCREW M6*35 A2	2
11	N010180		LIFTING EYE BOLT M8*35	1
12	N010157		NUT M8 A2	1
13	M010126		WASHER 10.5*30*18.5	1
14	N010181		SCREW M10*50 A2	1
15	N010131		NUT M6 A2	3
16	N010129		LOCK NUT M6 A2	2
17	M010116		EXTENSION SPRING 2.8*20*93	1
18	N010182		WASHER $\Phi 6*\Phi 18*1$	2
19	N010170		CHAIN 197 (7S)	1
20	N010183		SCREW M6*25 A2	1
21	P020120		RUBBER CAP 5.5*18	1



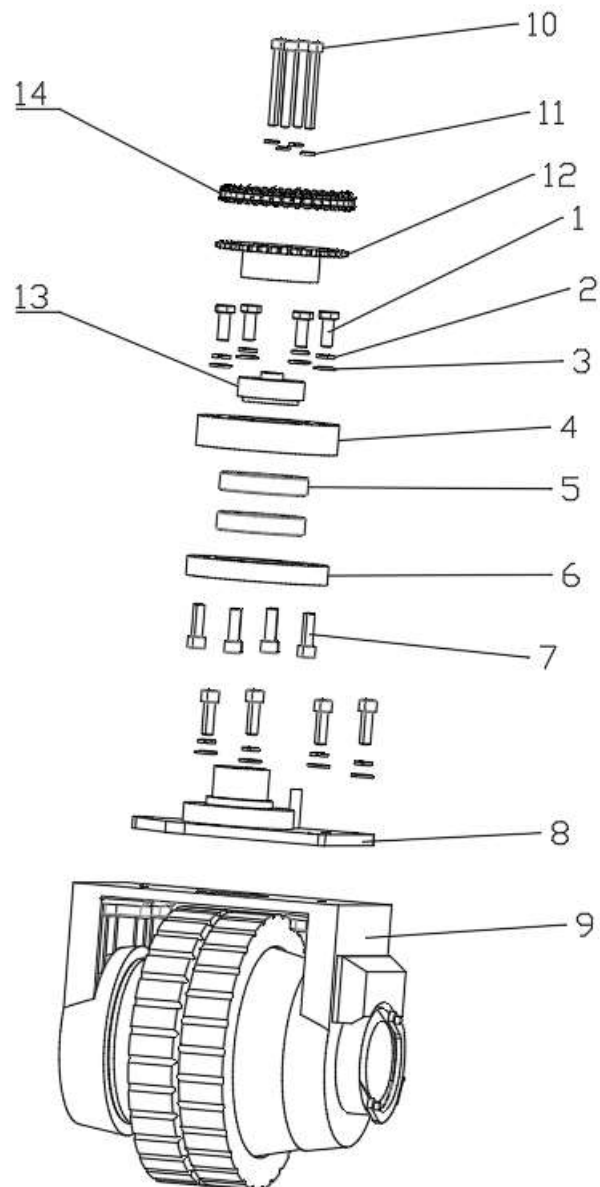
			DESCRIPTION	
1	H010127		COUPLING 318	1
2	H010135		SUPPORT 286*96	1
3	H010136		SUPPORT 80*137	2
4	N010159		UNIVERSAL WHEEL M8	2
5	N010115		SCREW M8*25 A2	4
6	N010126		WASHER $\Phi 8*\Phi 16*1$	4
7	N010121		LOCK WASHER M8 A2	4
8	N010130		LOCK NUT M8 A2	4
9	N010160		SCREW M12*110 A2	1
10	N010161		LOCK NUT M12 A2	1
11	N010162		SCREW M10*65 A2	1
12	N010163		WASHER $\Phi 10*\Phi 20*2$	1
13	N010164		RECTANGULAR SPRING 22*11*45 YELLOW	1
14	N010172		CONNECTOR TYPE I M6	1
15	M010111		EXTENSION SPRING 2.8*20*109	2
16	M010112		SHAFT $\Phi 15*124$	1

17	P010125		FLOWER NUT M10	2
18	N010167		SNAP RING Φ 12	2
19	N010170		CHAIN 08A 9 SEGMENTS (WITH JOINT)	1

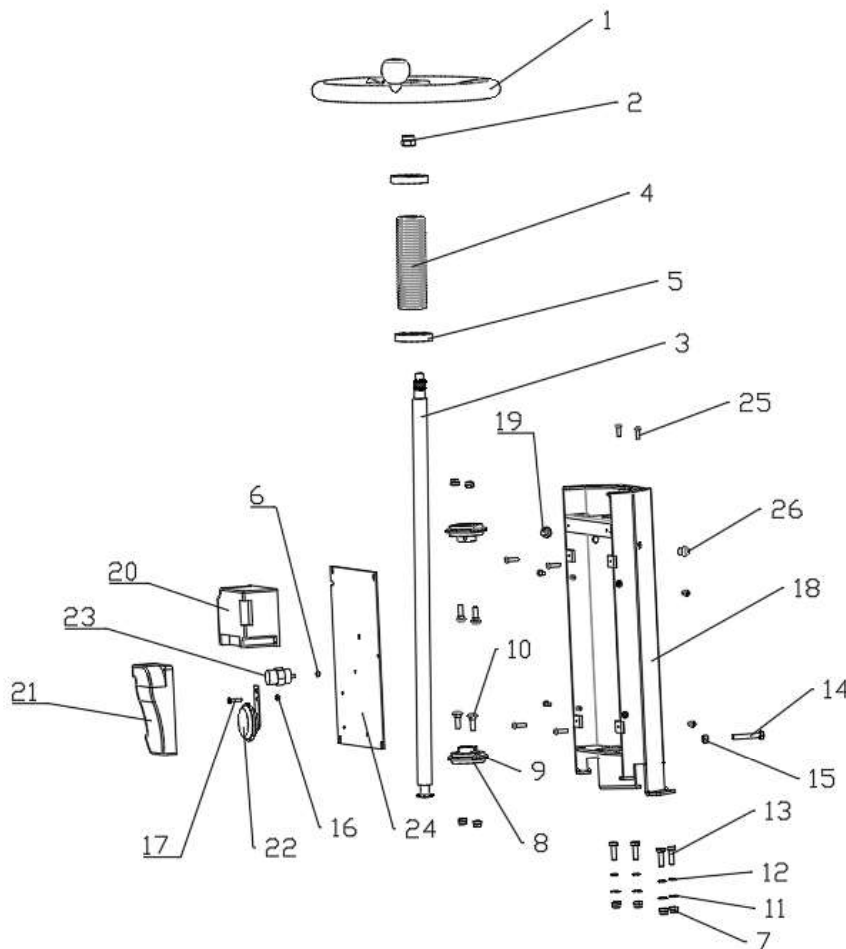


			DESCRIPTION	
1	N010184		KNOB M10	2
2	N010186		THIN NUT M10 A2	4
3	N010187		SCREW M8*20 A2	4
4	N010127		WASHER Φ 8* Φ 24*2	4
5	M010135		LEVER 170*25	2
6	M010127		BUSHING Φ 24*18	4
7	M010128		HEXAGON BUSHING Φ 18*39	2
8	H010147		LEFT SUPPORT	1
9	H010139		SUPPORT 276.5*136	1
10	M010129		FIXED SHAFT M8*52	2
11	E010125		MICROSWITCH 250A 16A	2
12	N010189		SCREW M3*20 A2	4

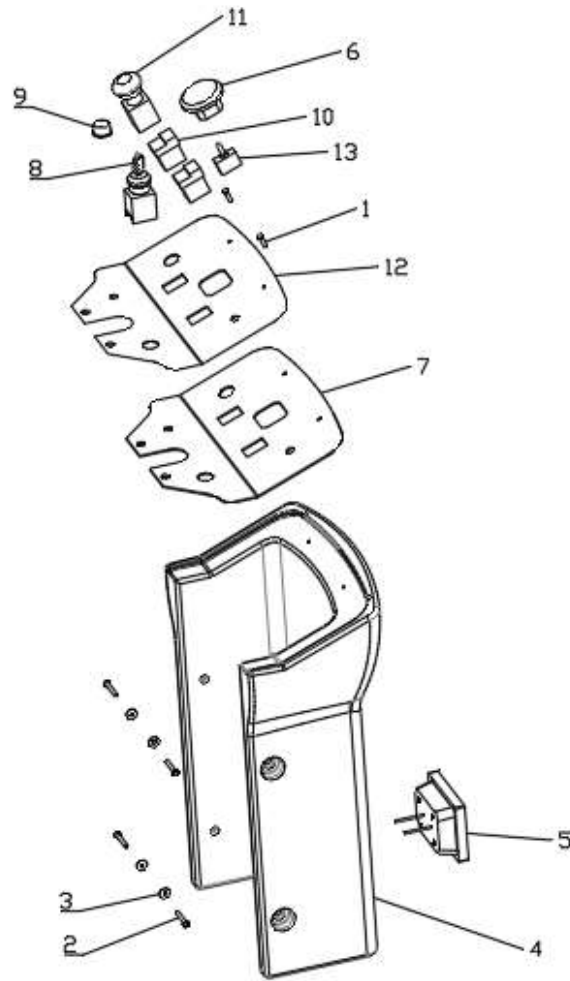
13	N010190		THIN NUT M24 A2	2
14	M010136		LEVER 61*30	2
15	N010191		SCREW M8*35 A2	2
16	N010192		THIN NUT M8 A2	3
17	M010117		ROPE L=995	1
18	N010193		ARTICULATED BEARING M8	2
19	N010194		SCREW M8*35 A2	1
20	M010118		EXTENSION SPRING 2*15*122	1
21	M010119		ROPE L=1460	1
22	N010133		SCREW M8*25 A2	1



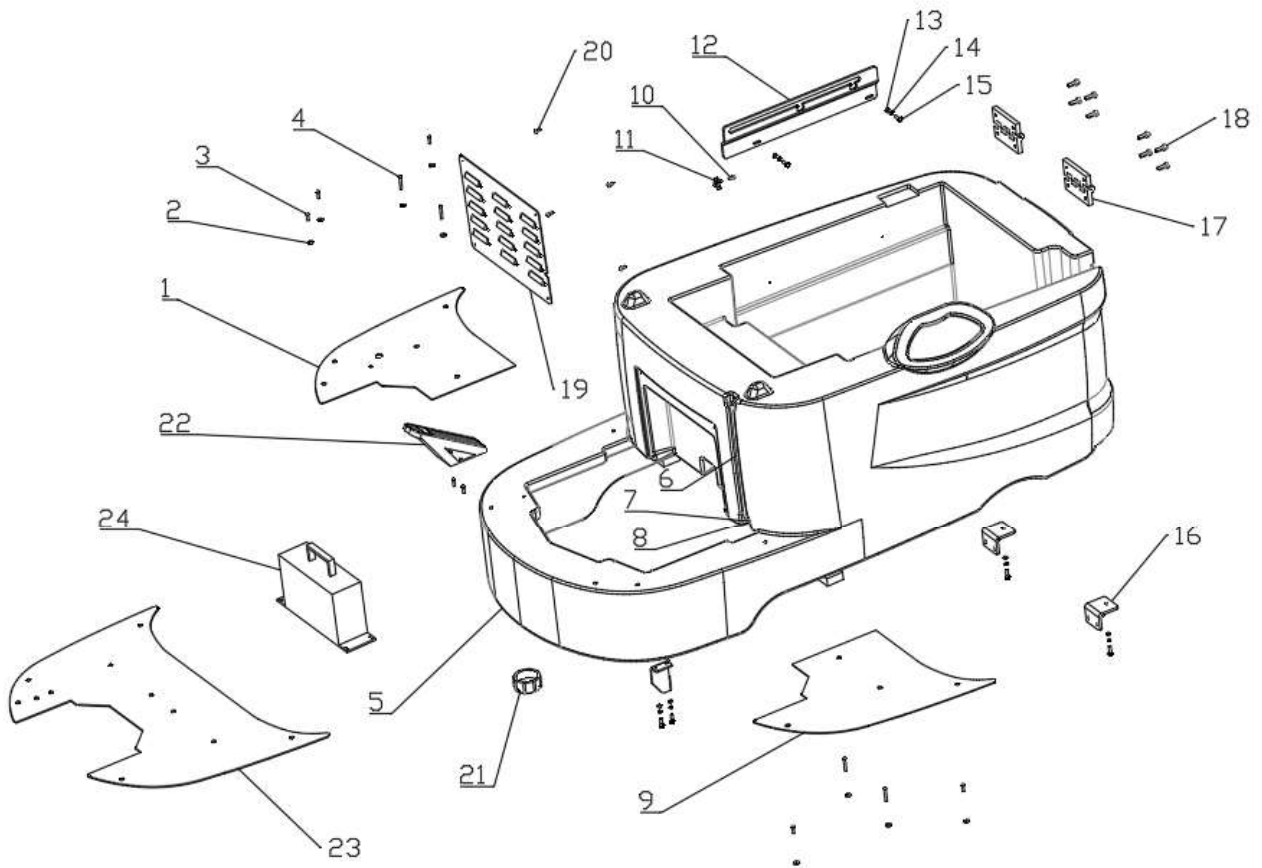
			DESCRIPTION	
1	N010195		SCREW M10*25 A2	4
2	N010185		LOCK WASHER M10 A2	8
3	N010195		WASHER $\Phi 10*\Phi 20*2$	8
4	M010122		BEARING BLOCK $\Phi 128*27$	1
5	N010196		6010 BEARING	2
6	M010123		BEARING BLOCK $\Phi 128*17$	1
7	N010197		SCREW M10*30 A2	8
8	M010113		SUPPORT	1
9	E010126		36V DRIVING MOTOR	1
10	N010199		SCREW M8*70 A2	4
11	N010121		LOCK WASHER M8 A2	4
12	M010120		GEAR $\Phi 120$	1
13	M010121		WASHER 20*60*27	1
14	N010200		CHAIN 06B-23/45	1



			DESCRIPTION	
1	N010202		STEERING WHEEL Φ 300	1
2	N010286		LOCK NUT M8 A2	1
3	M010124		STEERING SHAFT 732	1
4	N010206		BELLOWS Φ 50*160	1
5	P010131		CAP Φ (65-27)*12	2
6	N010128		LOCK NUT M5 A2	1
7	N010130		LOCK NUT M8 A2	8
8	N010209		SBPFL 205 BEARING BLOCK	4
9	N010210		SBPFL 205 BEARING	2
10	N010211		SQUARE NECK BOLT M8*20 A2	4
11	N010126		WASHER Φ 8* Φ 16*1	4
12	N010121		LOCK WASHER M8 A2	4
13	N010133		SCREW M8*25 A2	4
14	N010116		SCREW M8*50 A2	1
15	N010157		NUT M8 A2	1
16	N010213		NUT M5 A2	1
17	N010214		SCREW M5*20 A2	1
18	H010132		SUPPORT 595*250	1
19	E010169		HEAD LIGHT SWITCH	1
20	E010131		CONTROLLER FOR BRUSH/SUNCTION MOTOR 36V	1
21	E010130		DRIVING CONTROLLER 36V	1
22	E010133		HORN 36V	1
23	E010116		CATHODE INSULATING COLUMN	1
24	H010137		COVER 311*238	1
25	N010287		SCREW M6*20 A2	6
26	E010137		HORN BUTTON	1

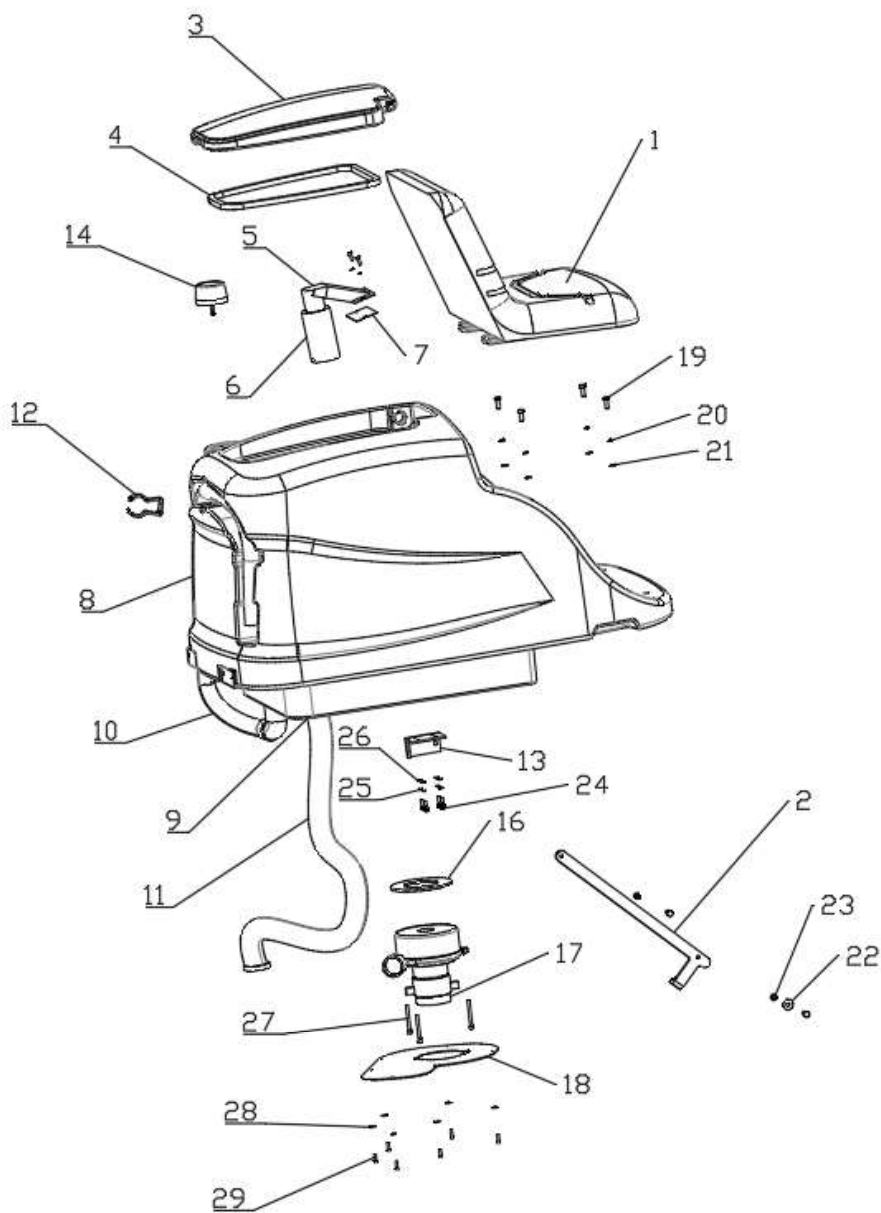


			DESCRIPTION	
1	N010207		SCREW M5*16 A2	2
2	N010218		SCREW M5*35 A2	4
3	N010123		WASHER $\Phi 5*\Phi 15*1$	4
4	P010138		COVER A11	1
5	E010141		LIGHT 18W	1
6	E010127		BATTERY INDICATION 36V	1
7	H010154		CONTROL PANEL 312	1
8	E010101		KEY SWITCH	1
9	E010129		SPEED KNOB 36V	1
10	E010102		ROCKER SWITCH 16A	2
11	E010134		EMERGENCY STOP 36V	1
12	K010108		CONTROL PANEL PAD A11	1
13	E010135		SWITCH	1

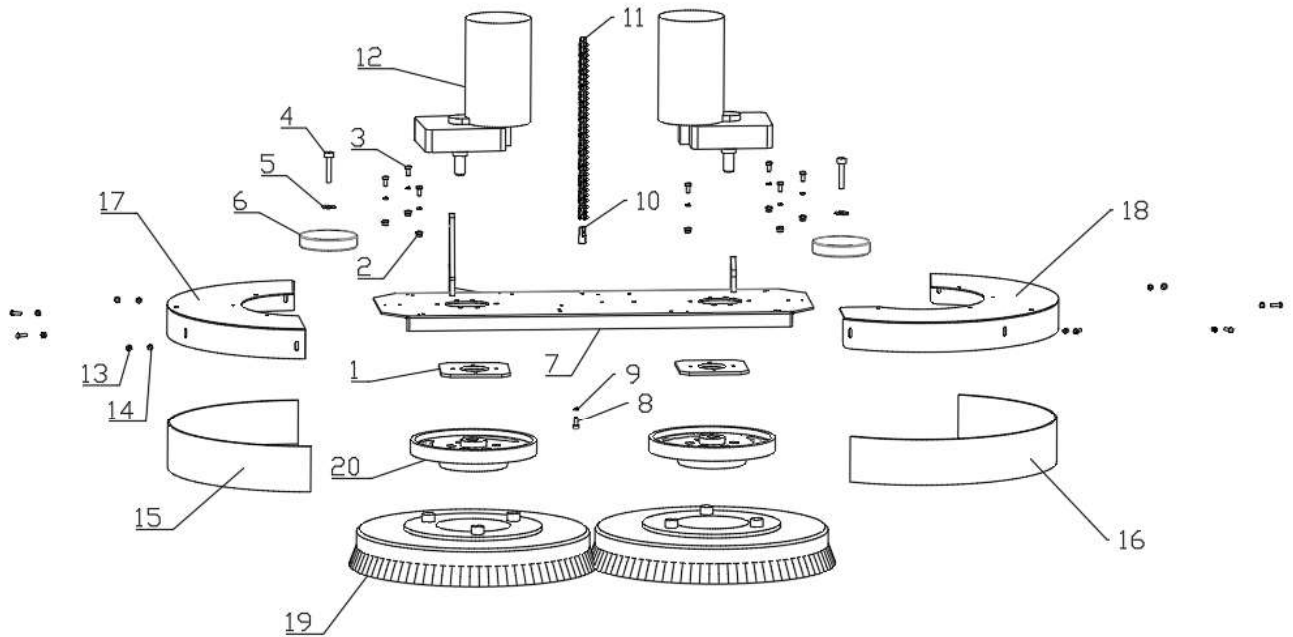


			DESCRIPTION	
1	H010142		RIGHT BOTTOM PLATE A11	1
2	N010123		WASHER $\Phi 5*\Phi 15*1$	9
3	N010207		SCREW M5*16 A2	7
4	N010218		SCREW M5*35 A2	4
5	P010140		SOLUTION TANK A11	1
6	P010141		PIPE D=12 d=8 L=315	1
7	P010142		CONNECTOR $\Phi (8-6) *30$	2
8	P020127		GASKET $\Phi 10$	2
9	H010143		LEFT BOTTOM PLATE A11	1
10	N010136		SCREW M5*12 A2	2
11	N010103		SUPPORT	2
12	H010129		SIDE BRACKET 450*92	1
13	N010125		WASHER $\Phi 6*\Phi 12*1$	6
14	N010120		LOCK WASHER M6 A2	6
15	N010201		SCREW M6*20 A2	6

16	H010128		CONNECTING PLATE 60*5	2
17	P010130		HINGE 80*100	2
18	N010114		SCREW M8*20 A2	8
19	H010111		COVER 343*261	1
20	N010136		SCREW M5*12 A2	4
21	P010136		CAP M50	1
22	E010136		PEDAL	1
23	P020164		BOTTOM PLATE 754*538*3	1
24	E010143		CHARGER 200~240VAC 50HZ	1

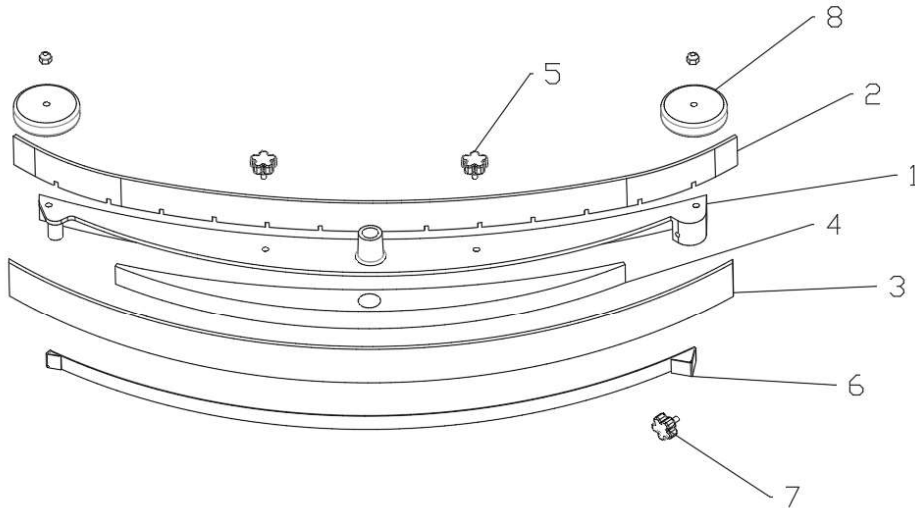


			DESCRIPTION	
1	P010134		CHAIR A11	1
2	H010130		SUPPORT 500*95	1
3	P010103		COVER	1
4	P020103		GASKET	1
5	P010106		SUCTION BODY	1
6	P010107		FILTER ASSEMBLY	1
7	P020104		SUCTION GASKET	1
8	P010143		RECOVERY TANK A11	1
9	N010140		CLAMP 33-57	1
10	P010144		EXHAUST HOSE D. 38x1200	1
11	P010145		SUCTION HOSE D. 38x800	1
12	P010108		CLAMP Φ 38	4
13	H010131		SUPPORT PLATE 68*80	1
14	E010142		36V WINKING LIGHT	1
15	N010154		SCREW M6*110 A2	3
16	P020142		CUSHION Φ 140*5	1
17	E010145		SUCTION MOTOR 36V 730W 3 STAGE	1
18	H010141		MOTOR COVER Φ 165	1
19	N010132		SCREW M8*20 A2	6
20	N010121		LOCK WASHER M8 A2	4
21	N010126		WASHER Φ 8* Φ 16*1	4
22	N010127		WASHER Φ 8* Φ 24*2	1
23	N010130		LOCK NUT M8 A2	2
24	N010118		SCREW M6*20 A2	4
25	N010120		LOCK WASHER M6 A2	4
26	N010125		WASHER Φ 6* Φ 12*1	4
27	N010154		SCREW M6*110 A2	3
28	N010123		WASHER Φ 5* Φ 15*1	6
29	N010136		SCREW M5*12 A2	6

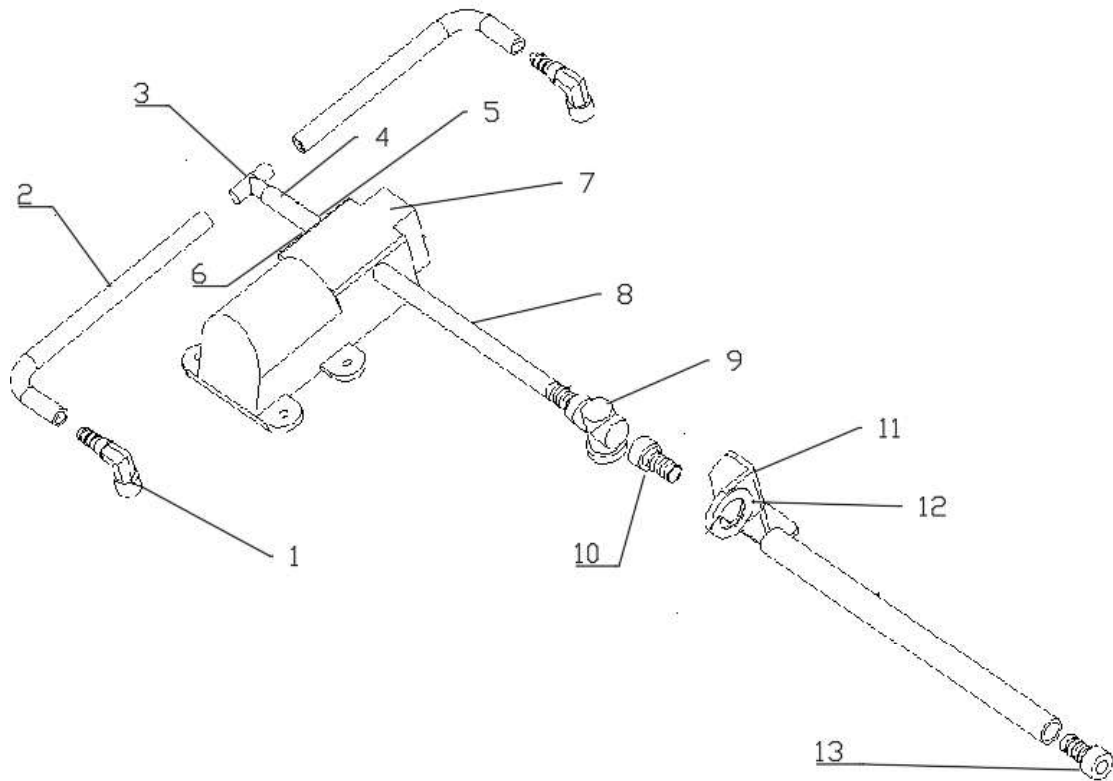


			DESCRIPTION	
1	H010157		MOTOR PLATE 120*120	2
2	N010129		LOCK NUT M6 A2	7
3	N010141		SCREW M6*12 A2	7
4	N010116		SCREW M8*50 A2	2
5	N010126		WASHER $\Phi 8*\Phi 16*1$	2
6	P010112		WHEEL $\Phi 100$	2
7	H010155		MOTOR BASE 756*235	1
8	N010112		SCREW M6*16 A2	1
9	N010120		LOCK WASHER M6 A2	8
10	N010165		CONNECTOR TYPE Y Y-16	1
11	N010168		CHAIN 08A 11 SEGMENTS (WITH JOINT)	1
12	E010138		BRUSH MOTOR 36V 450W	2
13	N010156		SCREW M5*16 A2	8
14	N010128		LOCK NUT M5 A2	8
15	P020118		RUBBER 85*800 (17`)	1
16	P020119		RUBBER 85*870 (17`)	1
17	H010151		LEFT BRUSH COVER $\phi 435$ (17`)	1
18	H010152		RIGHT BRUSH COVER $\phi 435$ (17`)	1

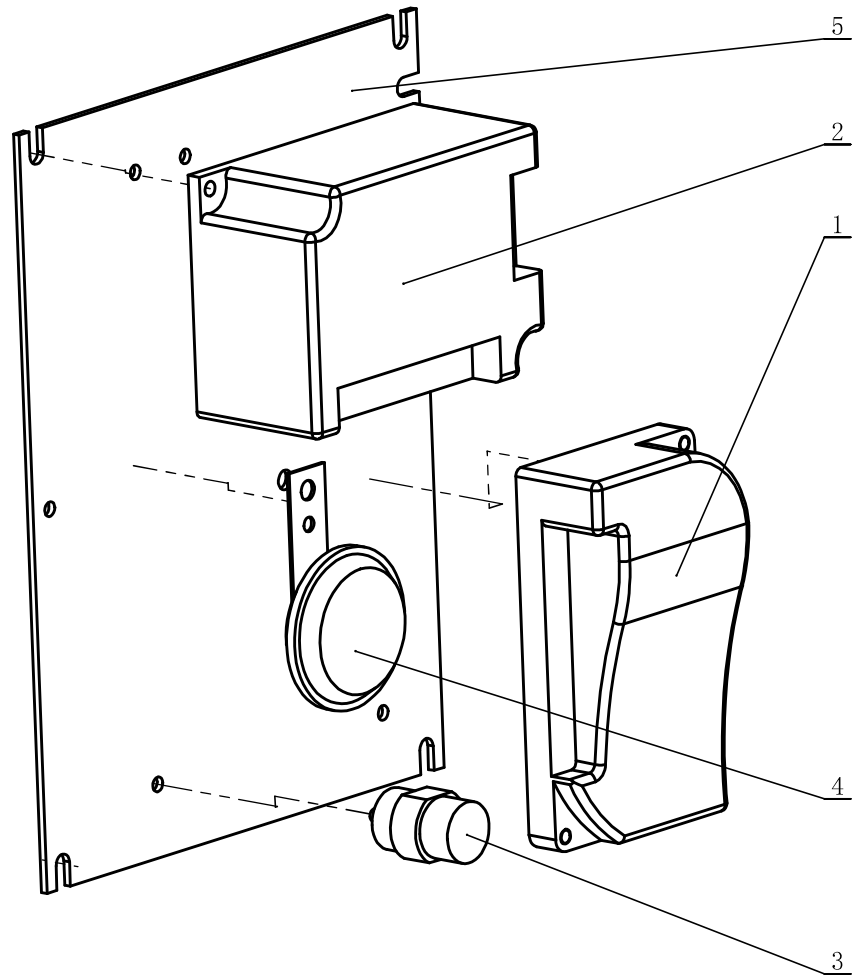
19	P010139		BRUSH 17' '	2
20	M020101		BRUSH PLATE $\Phi 150*\Phi 18$	2



			DESCRIPTION	
1	M020103		SQUEEGEE BODY A11	1
2	P020129		FRONT BLADE 1105*50*4	1
3	P020128		REAR BLADE 1128*65*6.35	1
4	P020144		MENISCUS A11	1
5	P010114		KNOB M8	2
6	H010178		STEEL PLATE A11	1
7	N010150		SCREW M8	1
8	P010113		WHEEL $\Phi 100 \times 25$	2



			DESCRIPTION	
1	N010105		ELBOW 3/8-12	2
2	P020123		TUBE D=12 d=8 L=240	2
3	N010171		T-FITTING D=10 d=8	1
4	P020124		TUBE D=12 d=8 L=310	1
5	E010175		SOLENOID VALVE 36V 10W	1
6	P020125		TUBE D=12 d=8 L=50	1
7	E010140		MICRO PUMP 36V	1
8	P020126		TUBE D=12 d=8 L=600	1
9	P010119		FILTER 3/8	1
10	N010226		CONNECTOR 1/2-3/8	1
11	H010134		SUPPORT 65*35	1
12	N010101		1/2 BALL VALVE	1
13	N010223		CONNECTOR 1/2 D=12 d=10	1



1	E010130		DRIVING CONTROLLER 36V 110A	1
2	E010131		CONTROLLER FOR BRUSH/SUNCTION MOTOR 36V	1
3	E010116		CATHODE INSULATING COLUMN	1
4	E010133		HORN 36V	1
5	H010137		COVER 311*238	1