



**DESPIECE TÉCNICO**  
**FREGADORA HOMBRE A BORDO**  
**KF76B**





---

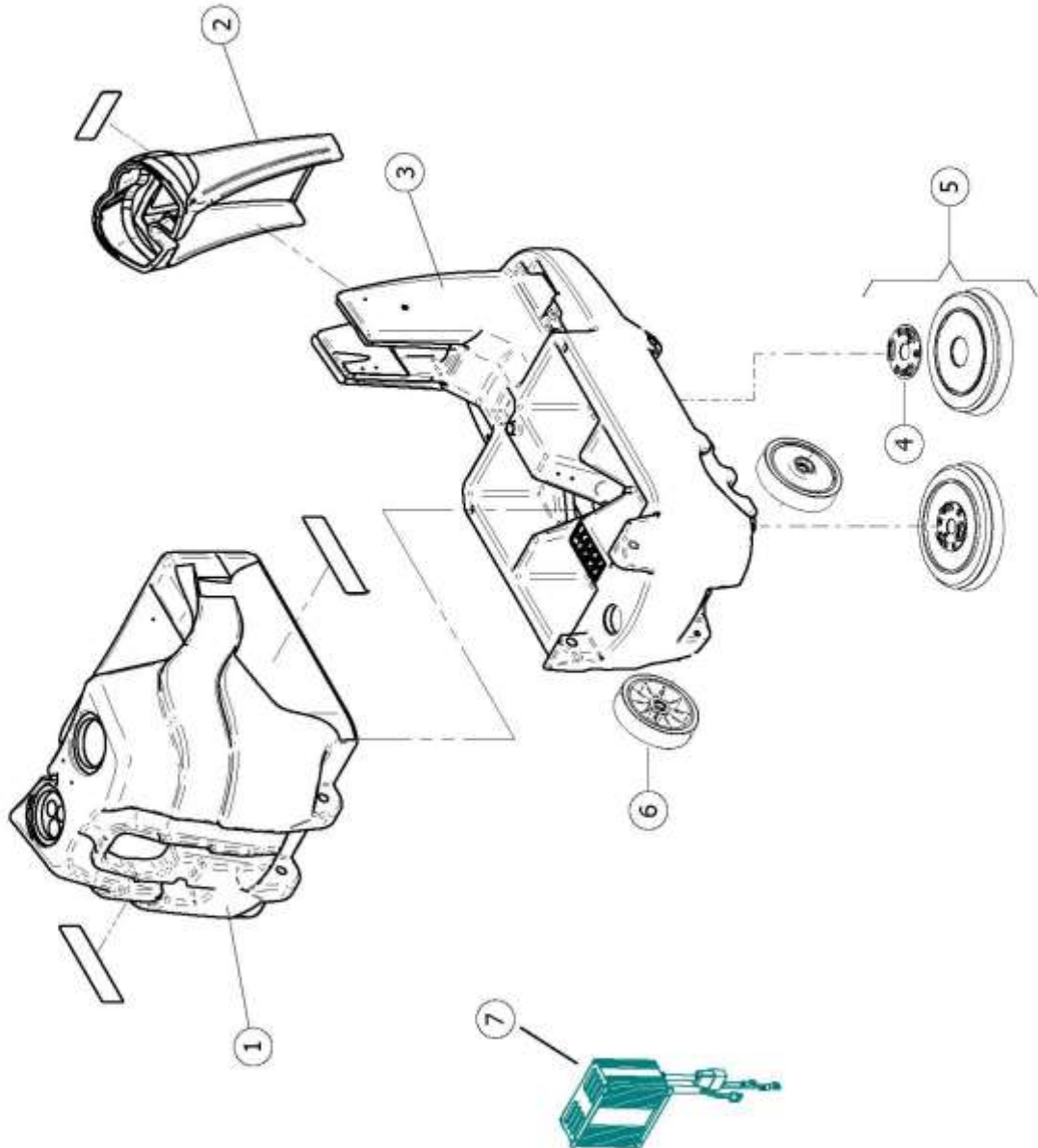
Articolo: **8.576.3003**      **F76B KRUGER**

Tavola: **D85760001/01**      Inizio Validità      **09/06/2015**      Fine Validità:

<b>Componente</b>	<b>Descrizione</b>	<b>Pos.</b>	<b>Tipo Man.</b>
4.508.0625	SOLUTION TANK KF76B	1	
4.508.1562	STEERING COLUMN COVER -	2	
4.508.1663	SOLUTION TANK	3	
4.508.1192	UNIFIED FLANGE FOR BRUSH COUPLING	4	S
5.511.1168	PPL BRUSH 360 MM. W/UNIFIED COUPLING FLANGE	5	O
3.006.0138	REAR WHEEL	6	S

---

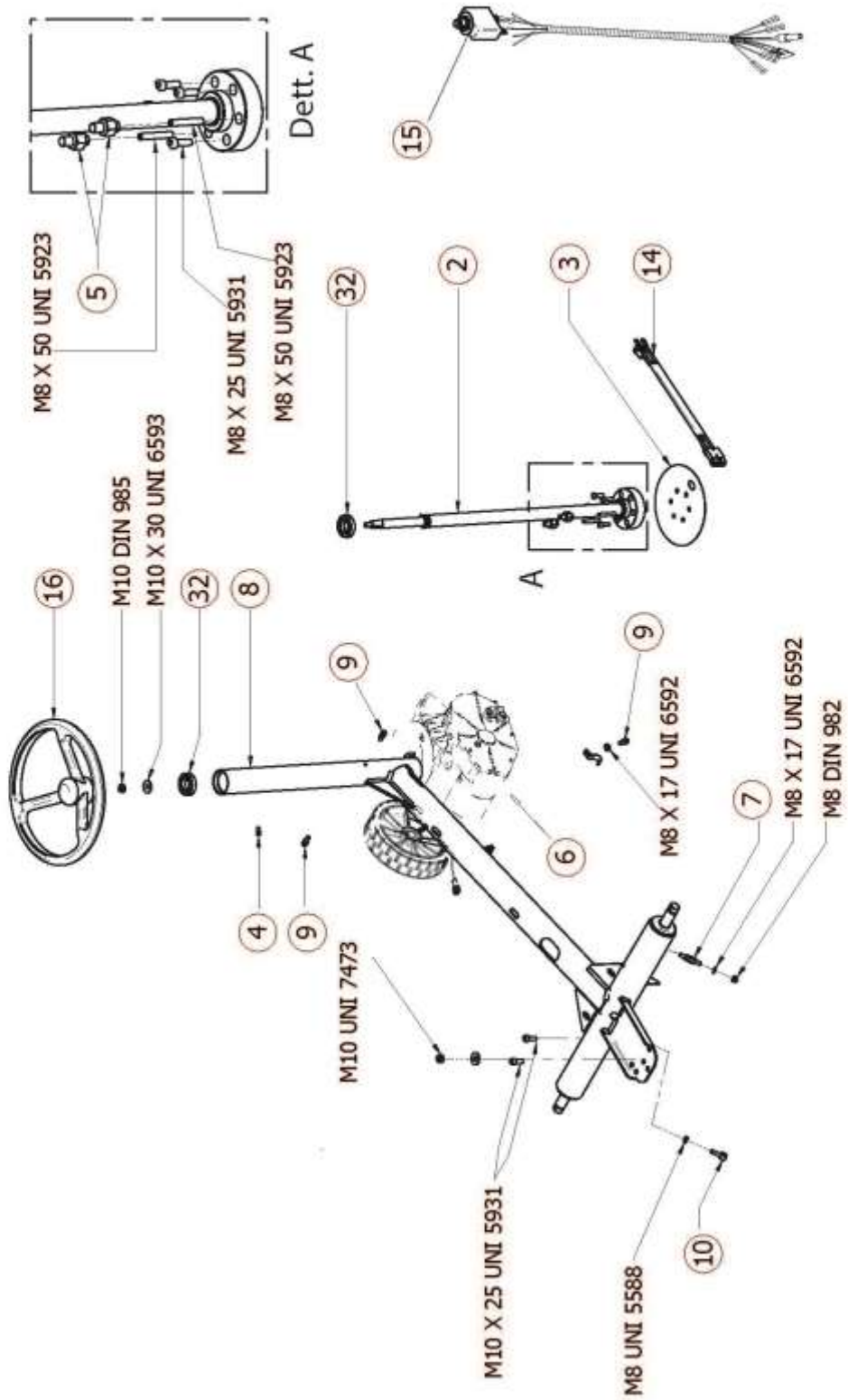
D85760001/01



Articolo: **5.509.2151** **GRUPPO TELAIO KF76B**Tavola: **D55090012/01** Inizio Validità **28/05/2015** Fine Validità:

<b>Componente</b>	<b>Descrizione</b>	<b>Pos.</b>	<b>Tipo Man.</b>
5.511.0808	STEERING COLUMN	2	
4.508.0658	CABLE HOLDER - KF76B	3	
4.507.0835	PIN FOR SPRING COUPLING	4	
4.507.0745	STEERING STOP BOLT	5	
5.511.1842	COMPLETE MOTORWHEEL XS-R	6	
4.507.0743	SPRING SUPPORT	7	
4.507.0741	FRAME - KF76B	8	
4.507.0596	BRAKE ADJUSTER SUPPORT	9	
4.507.0359	ADJUSTING SCREW	10	
3.499.0241	WIRING	14	
3.401.0076	THERMAL CIRCUIT BREAKER 40A SM 7400	15	S
3.099.1223	STEERING WHEEL D.360 H.100	16	
3.001.0053	BALL BEARING 6006 2RS 30X47X9	32	

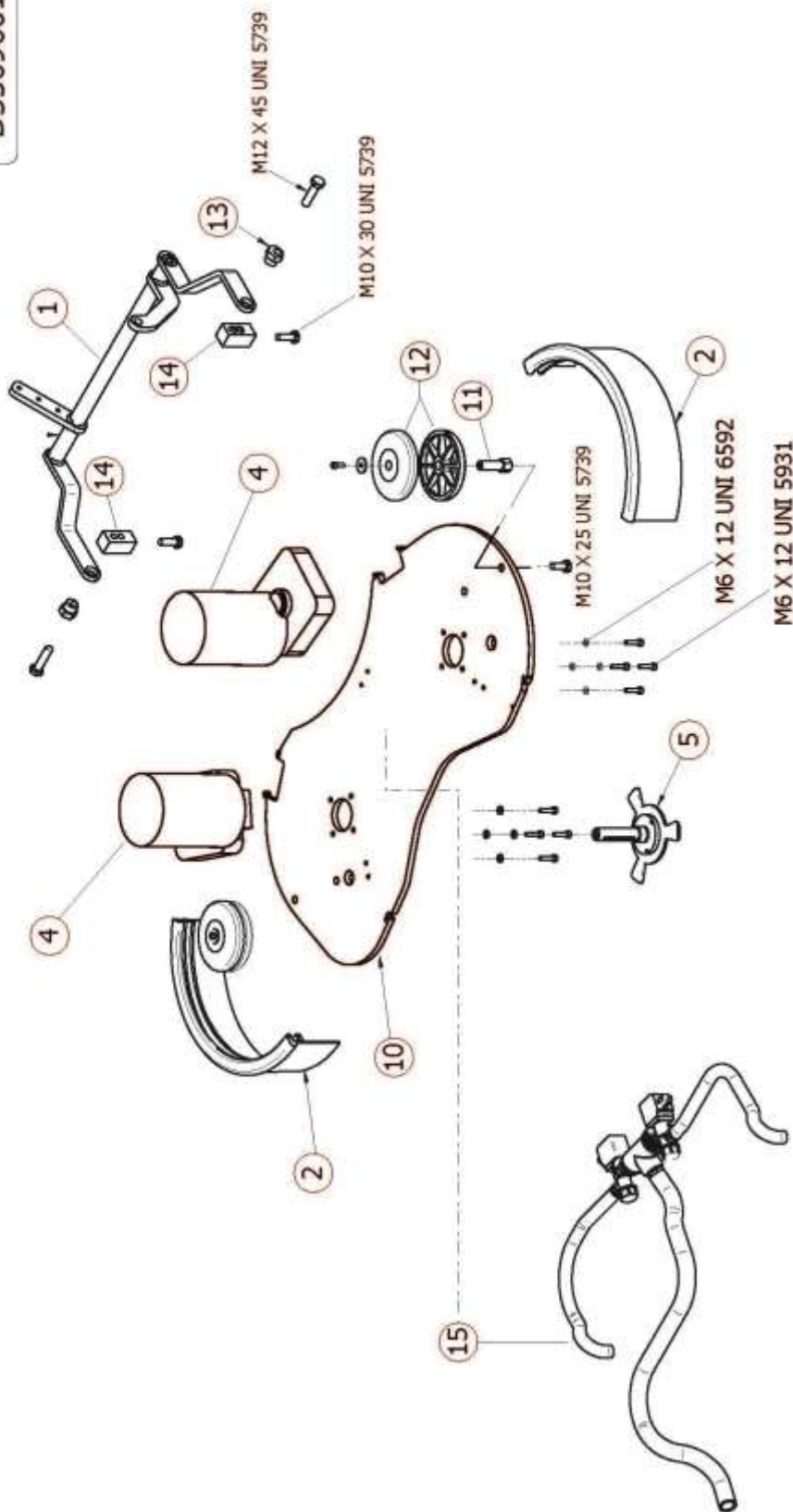
D55090012/01



Articolo: **5.509.2156** **GRUPPO PIATTO SPAZZOLA KF76B**  
Tavola: **D55090013/01** Inizio Validità **08/06/2015** Fine Validità:

<b>Componente</b>	<b>Descrizione</b>	<b>Pos.</b>	<b>Tipo Man.</b>
5.513.0247	BRUSH PLATE LIFTING LEVER	1	
5.511.1852	COMPLETE LEFT BOOMPER	2	S
5.501.0086	MOTOR+GEARBOX 24V DC 400W 20A 150RPM (HY-230)	4	
5.511.1857	BRUSH COUPLING ASSEMBLY XS-R	5	
4.507.1535	BRUSH PLATE XS-R	10	
4.507.0361	BUMPER WHEEL SUPPORT	11	
4.508.0224	BUMPER WHEEL D.110 GREY	12	S
4.507.0365	CAM	13	
4.507.1074	BAR	14	
5.511.1170	WATER SYSTEM	15	

D55090013/01





---

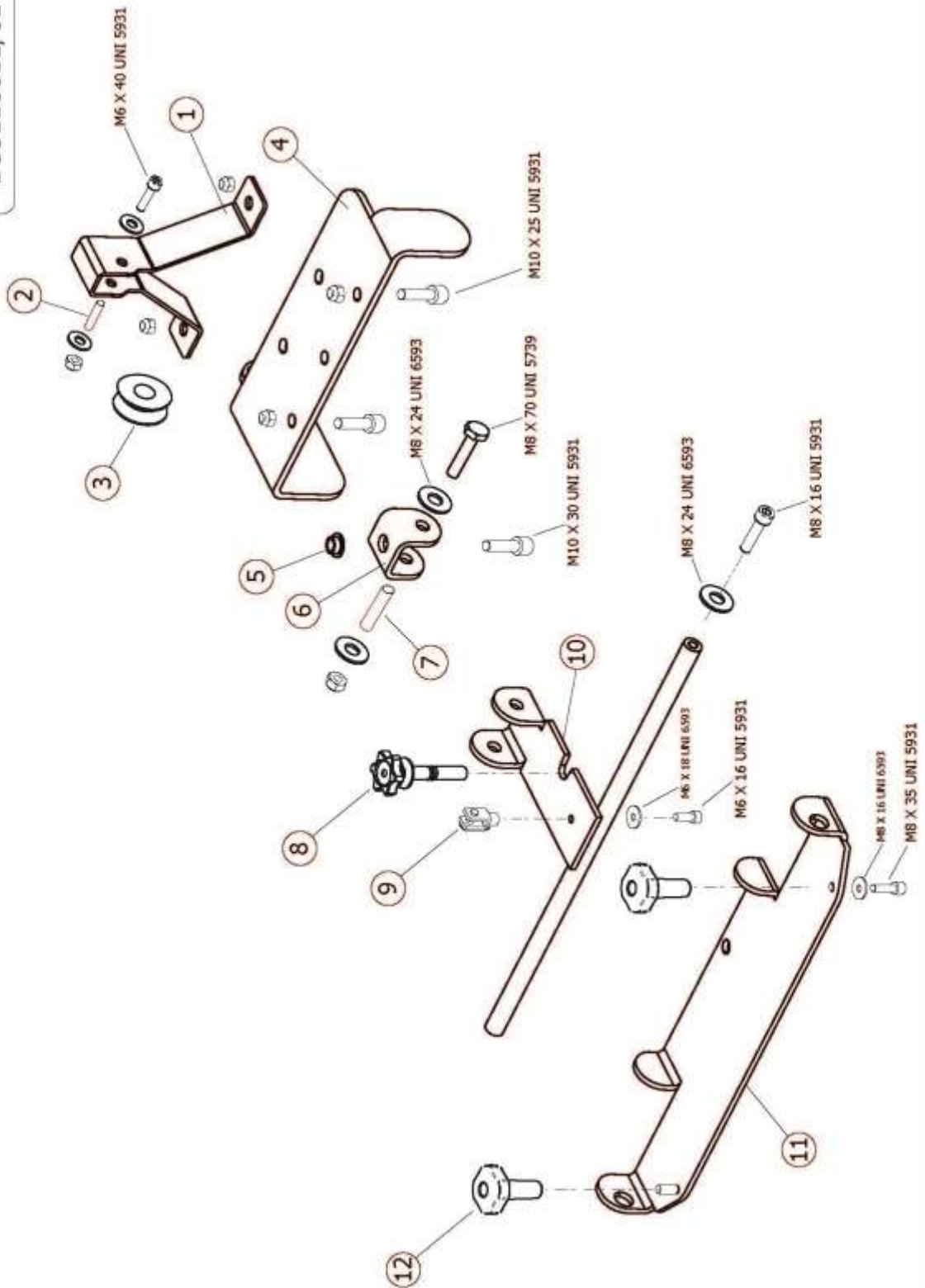
Articolo: **5.511.1846** **ASSIEME SUPPORTO**

Tavola: **D55110011/01** Inizio Validità **08/06/2015** Fine Validità:

<b>Componente</b>	<b>Descrizione</b>	<b>Pos.</b>	<b>Tipo Man.</b>
4.507.1540	BRACKET FOR LIFTING SQUEEGEE CABLE	1	
4.506.0218	PIN FOR SQUEEGEE WHEEL	2	
4.508.1616	PULLEY FOR SQUEEGEE	3	
4.507.1529	SQUEEGEE BRACKET LIFT	4	
4.506.0274	BUSH D.20 - d.14 - H.7mm	5	
4.507.1539	SQUEEGEE ROTATION SUPPORT	6	
4.507.1537	CILINDRIC BUSHING EXT.D.11 - INT.D.9 - H=55,5mm	7	
5.511.1858	SQUEEGEE AJUSTING SET 09/06	8	
3.099.0337	WATER GEAR CONTROL M6+CLIP	9	
5.513.0309	AXIS W/SQG BRACKET	10	
4.507.1528	SQUEEGEE SUPPORT	11	
3.099.1900	KNOB D.52 D.8x23	12	

---

D55110011/01



---

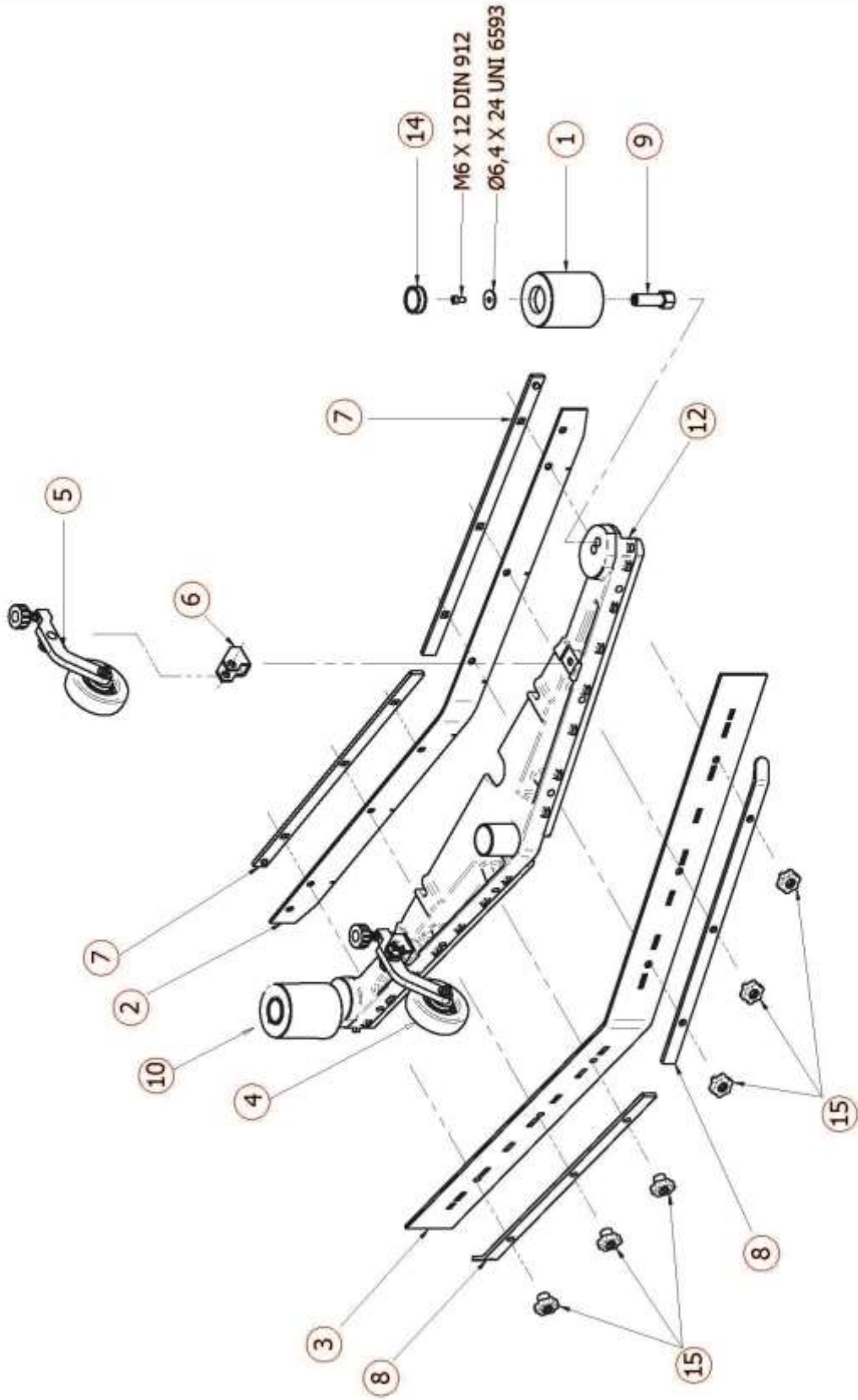
Articolo: **5.511.1595** **ASSIEME SQG KF76B**

Tavola: **D55110012/01** Inizio Validità **08/06/2015** Fine Validità:

<b>Componente</b>	<b>Descrizione</b>	<b>Pos.</b>	<b>Tipo Man.</b>
4.508.1210	BUMPER WHEEL	1	S
4.508.0646	FRONT SQUEEGEE BLADE	2	
4.508.0605	REAR SQUEEGEE BLADE	3	
5.511.1067	SQUEEGEE WHEEL ASSEMBLY	5	S
4.507.0986	WHEEL LEVER SUPPORT	6	
4.507.0749	BLADE HOLDER - FRONT	7	
4.507.0748	BLADE HOLDER - REAR	8	
4.507.0361	BUMPER WHEEL SUPPORT	9	
4.505.0168	SQUEEGEE - KF76B	12	
3.099.1399	CAP FOR BUMPER WHEEL	14	
3.099.0467	KNOB M8	15	

---

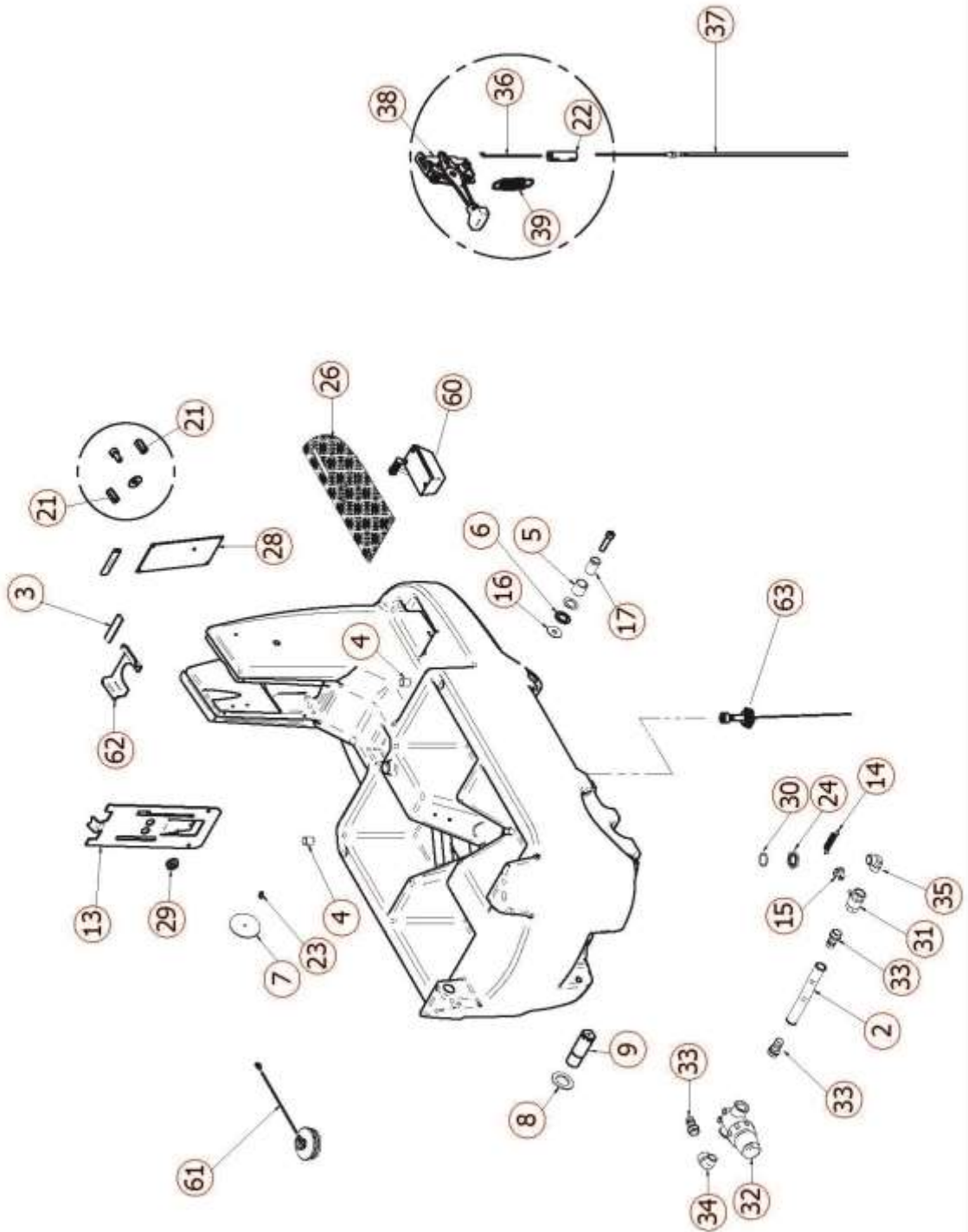
D55110012/01



Articolo: **5.509.2173** **GRUPPO SERBATOIO SOLUZIONE KF76B**Tavola: **D55090010/01** Inizio Validità **27/05/2015** Fine Validità:

<b>Componente</b>	<b>Descrizione</b>	<b>Pos.</b>	<b>Tipo Man.</b>
4.508.1427	HOSE D.20 X D.26.8 L=195mm	2	
4.508.1388	RUBBER PROTECTION	3	
4.508.0997	RUBBER BUMPER	4	
4.508.0661	BUSHING KF76B	5	
4.508.0660	SPACER FOR TANK - KF76B	6	
4.508.0657	WASHER	7	
4.508.0650	HINGE SPACER - KF76B	8	
4.508.0649	HINGE PIN - KF76B	9	
4.507.1144	COVER - KF76B	13	
4.507.0767	SPRING FOR WATER TAP - KF76B	14	
4.507.0766	LEVER FOR WATER TAP - KF76B	15	
4.507.0764	SPACER FOR LEVER - KF76B	16	
4.507.0763	BUSHING - KF76B	17	
4.506.0210	SPACER	21	
4.506.0153	UNION	22	
4.506.0136	SPACER FOR CABLE SUPPORT	23	
4.506.0063	WASHER 3/4 FOR O-RING 4112	24	
4.505.0875	FOOTBOARD XS-R	26	
4.505.0196	CHOPPER SUPPORT PLATE - KF76B	28	
3.406.0032	CABLE-HOLDER 16X20X1.5 BLACK RUBBER	29	
3.200.0124	O-RING 4112 28.17X3.53	30	
3.105.0009	BALL VALVE 3/4" F/F	31	
3.102.0009	WATER FILTER F/F 3/4 MESH 80 INOX	32	O
4.506.0275	RACCORDO PORTAGOMMA DIRITTO 3/4M D.int.16	33	
3.100.0120	UNION ELBOW 90 DEGREES M/F 3/4	34	
3.100.0119	ELBOW CONNECTOR 90 GRADES M/M3 /4	35	
3.099.1250	STEEL CABLE L=100	36	
3.099.1028	WATER OUTLET CABLE W/SHEATH KF76B	37	S
3.099.0862	WATER OUTLET LEVER KF76B	38	
3.099.0832	SPRING	39	
5.511.1860	RUDDER PEDALS WITH LEVER	60	
5.511.0619	SOLUTION TANK CAP KF76B AS SEMBLY CENTERING	61	
4.507.1226	SUPPORT	62	

D55090010/01



Articolo: **5.509.2164** **GRUPPO SERB. RECUPERO KF76B**Tavola: **D55090015/01** Inizio Validità **03/07/2015** Fine Validità:

<b>Componente</b>	<b>Descrizione</b>	<b>Pos.</b>	<b>Tipo Man.</b>
5.511.1438	COMPLETE FLOATING SWITCH	3	
4.508.1246	CLAMP BUTTON	8	
4.507.0761	DRAIN HOSE HOLDER	10	
4.507.1048	HOSE CLAMP	11	
4.506.0241	SPACER ENGINE MOUNTING	12	
4.506.0034	PIN FOR SPRING COUPLING	14	
4.505.0251	TAPPETINO SINISTRO KF76B	15	
3.499.0400	COMPLETE MICROSWICH FOR SEAT	17	
3.499.0283	HANDLE FOR REMA PLUG	18	
3.499.0285	PLUG FT80 F.	19	
3.499.0187	PIN	20	
3.099.1260	BALL VALVE 1" F/M	21	
3.099.1067	BUSHING	22	
3.499.0284	PLUG FT80 M.	23	
4.507.1067	SUPPORT FOR TANK HOLDBACK LEVER - KF76B	24	
3.099.0739	HOSE SUPERFLEX KLL M D.38+2 CO UPLINGS D.38 L=1701	25	
3.002.0707	SCREW TC-TC M6X20 BLACK PLASTIC	32	
5.511.1251	SUCTION MOTOR ASSEMBLY	37	S
5.511.1763	DRAINPIPE	39	S
5.511.0203	RECOVERY TANK CAP ASSEMBLY	40	
4.507.1068	TANK HOLDBACK LEVER - KF76B	41	
4.508.0932	SEAT	42	
4.508.0742	SUCTION FILTER - KF76B	44	O
5.511.1843	COMPLETE DASHBOARD	48	S
4.507.1066	SLIDE FOR TANK HOLDBACK LEVER - KF76B	52	
3.003.0402	NUT MB24x2 UNI 5589 INOX -DANY 024001-	55	
3.099.1515	CAP D.43mm	70	
5.511.1597	LEVER ASSEMBLY	71	
4.507.0818	LEVER HOOK STOP - KF76B	72	
4.507.0817	LEVER STOP BRACKET - KF76B	73	
4.507.1209	SQG LEVER EXTENSION	74	
4.507.0883	PIN FOR SQUEEGEE LIFT LEVER	75	
4.508.0971	HANDLE SPECIAL LEVEL (15X4)	76	

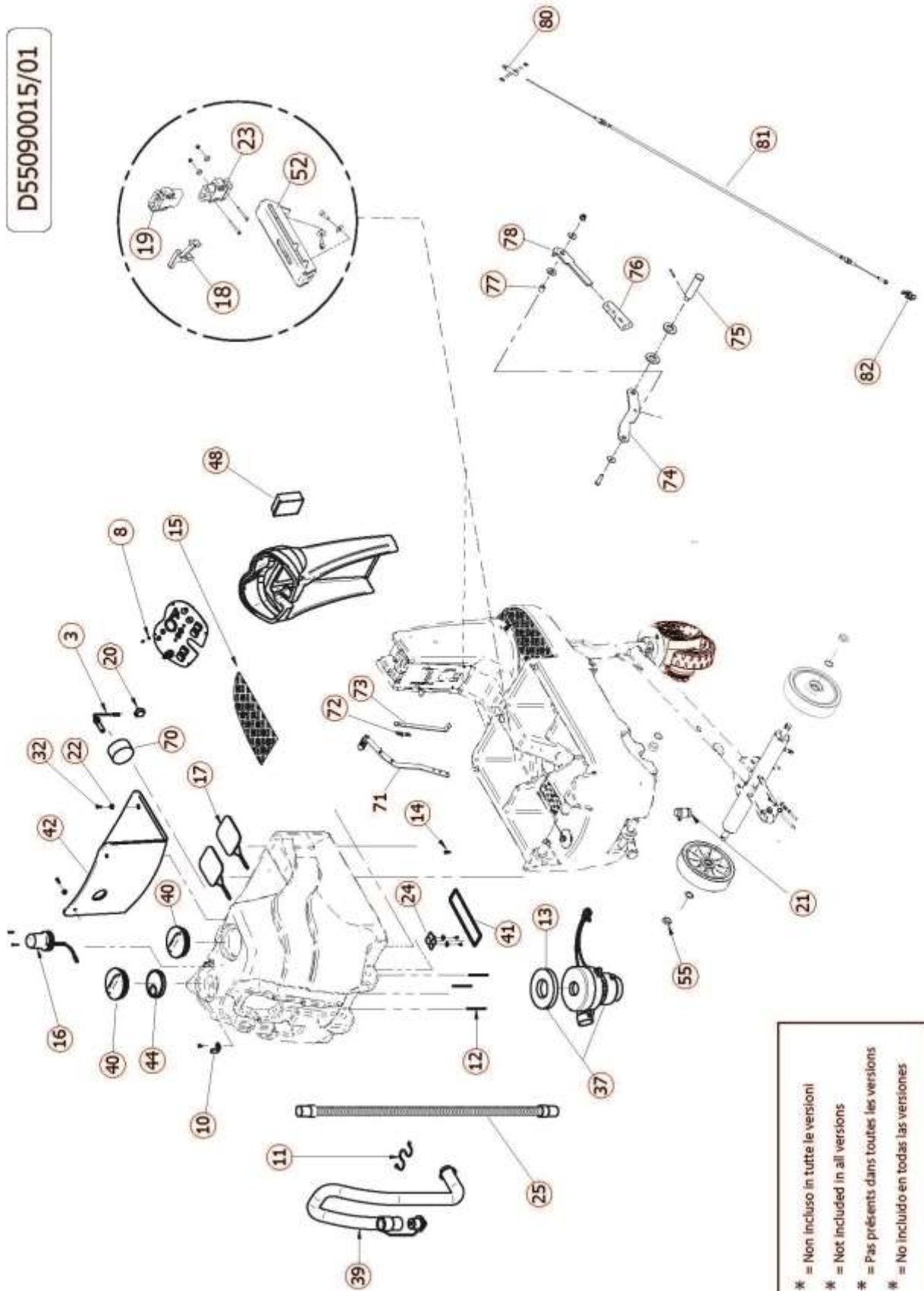
---

4.506.0234	SPACER LEVER	77	
4.507.1078	LIFTING LEVER EXTENSION SQG	78	
4.507.0765	PIN FOR CABLE HOLDER - KF76B	80	
3.099.0893	SQUEEGEE LIFT CABLE KF76B	81	S
4.507.0301	SQUEEGEE SPRING	82	

---



D55090015/01



\* = Non incluso in tutte le versioni  
 \* = Not included in all versions  
 \* = Pas présents dans toutes les versions  
 \* = No incluido en todas las versiones

---

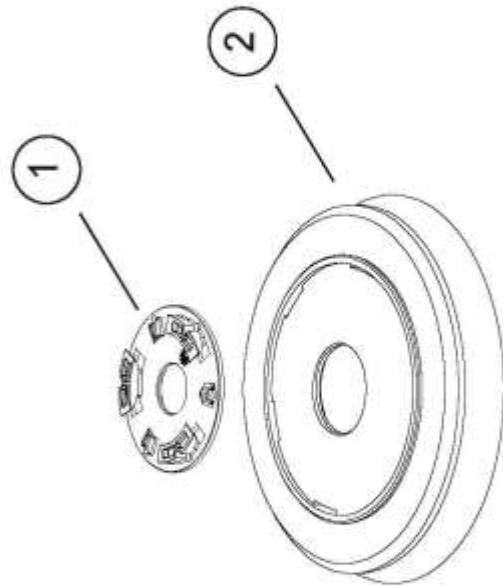
Articolo: **5.511.1168** **ASSIEME SPAZZOLA PPL D. 360**

Tavola: **D55110033/01** Inizio Validità **16/11/2015** Fine Validità:

<b>Componente</b>	<b>Descrizione</b>	<b>Pos.</b>	<b>Tipo Man.</b>
4.508.1192	UNIFIED FLANGE FOR BRUSH COUPLING	1	S
3.602.0035	PPL BRUSH MOD.KF76B D.360 WITHOUT PLAQUE	2	

---

D55110033/01



---

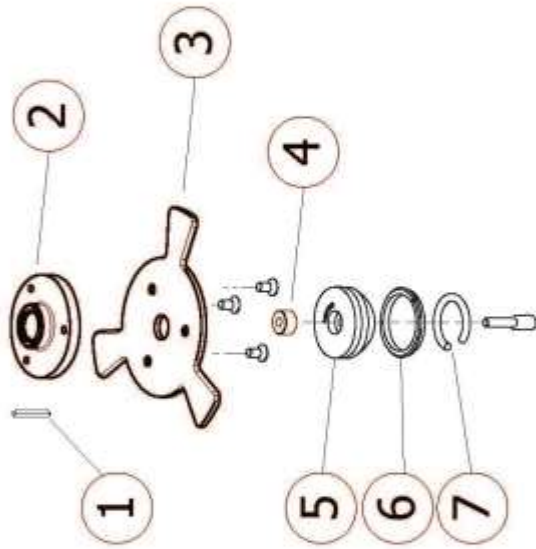
Articolo: **5.511.1857** **ASSIEME INNESTO SPAZZOLA**

Tavola: **D55110013/01** Inizio Validità **08/06/2015** Fine Validità:

<b>Componente</b>	<b>Descrizione</b>	<b>Pos.</b>	<b>Tipo Man.</b>
3.099.0870	FEATHER KEY 6X6X12 UNI 6604 A	1	
4.507.1470	BUSHING	2	
4.507.0300	BRUSH COUPLING	3	
4.507.1469	BUSHING	4	
4.508.0290	BRUSH COUPLING CENTERING BUSHING	5	
4.508.0314	OPENED RING	6	
3.200.0127	O-RING D=5.34 L=106	7	

---

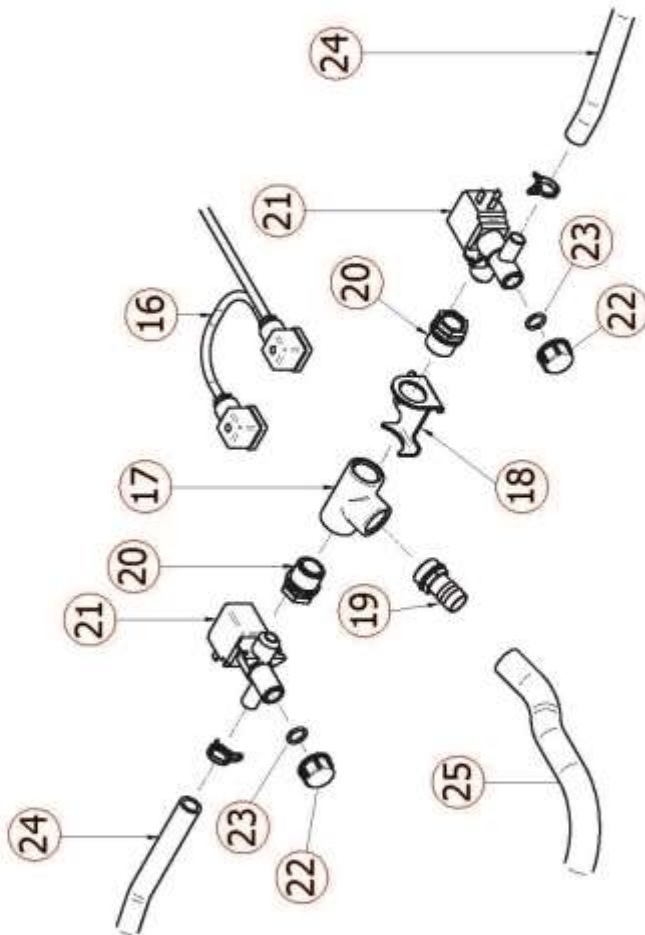
D55110013/01



Articolo: **5.511.1170** **ASS. IMPIANTO ACQUA UNIFICATO KF76B**  
Tavola: **D55110014/01** Inizio Validità **08/06/2015** Fine Validità:

<b>Componente</b>	<b>Descrizione</b>	<b>Pos.</b>	<b>Tipo Man.</b>
4.512.0088	SOLENOID VALVE CABLE	16	
3.100.0355	"T" JOINT G3/4	17	
4.507.1282	SOLENOID VALVE SUPPORT	18	
4.506.0275	RACCORDO PORTAGOMMA DIRITTO 3/4M D.int.16	19	
3.100.0330	RIDUCTOR BUSH G3/4 M-G1/2F	20	
3.412.0027	SOLENOID VALVE 1/2	21	S
3.099.1032	CAP 1/2	22	
3.200.0187	O-RING 3056	23	
4.508.1244	HOSE D.INT.=14 L=380mm	24	
3.099.1402	HOSE D.INT.=20 SP=3 L=680mm	25	

D55110014/01



---

Articolo: **5.511.1859** **ASSIEME PANNELLO CRUSCOTTO C/SCHEDA E INTERR.MARCIA**

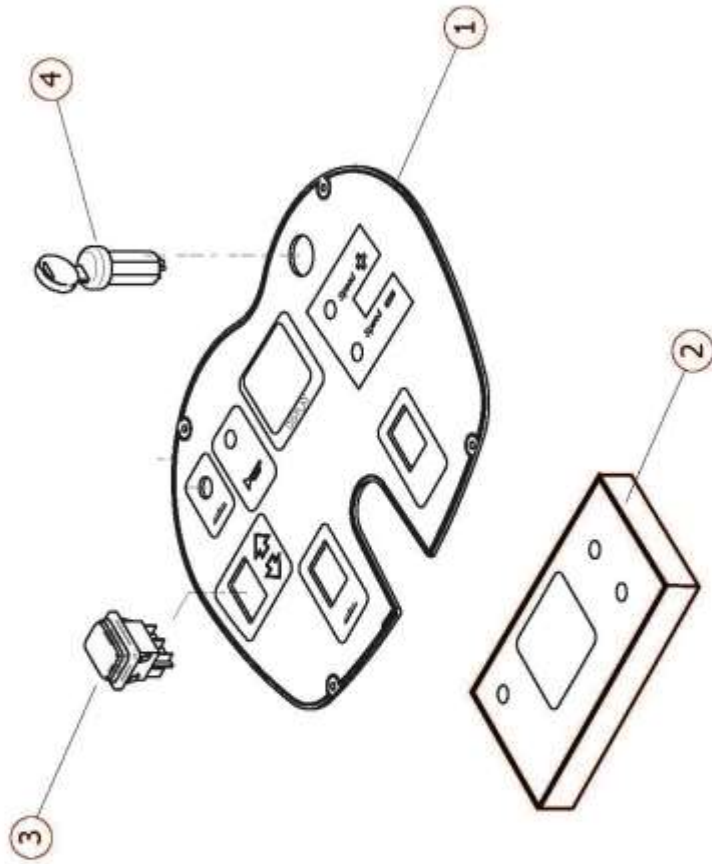
Tavola: **D55110015/01** Inizio Validità **08/06/2015** Fine Validità:

<b>Componente</b>	<b>Descrizione</b>	<b>Pos.</b>	<b>Tipo Man.</b>
5.511.1863	ASSIEME PIASTRA-ADESIVO CRUSCOTTO COMFORT XS-R	1	
4.515.0007	FUNCTION KEYBOARD	2	
3.401.0224	DOUBLE-POLE SWITCH 250V 16A PO S.I/0/II	3	
3.499.0547	IGNITION KEY FOR ELECTRONIC DASHBOARD CARD	4	

---



D55110015/01





KRÜGER TECHNOLOGY S.L.  
B-82526583  
Polígono Agustinos C/G Parcela B2  
31013 Pamplona (Navarra) - ESPAÑA  
+34 948 343 393 - info@kruger.es - www.kruger.es