

— SCHEMATIC DRAWINGS —

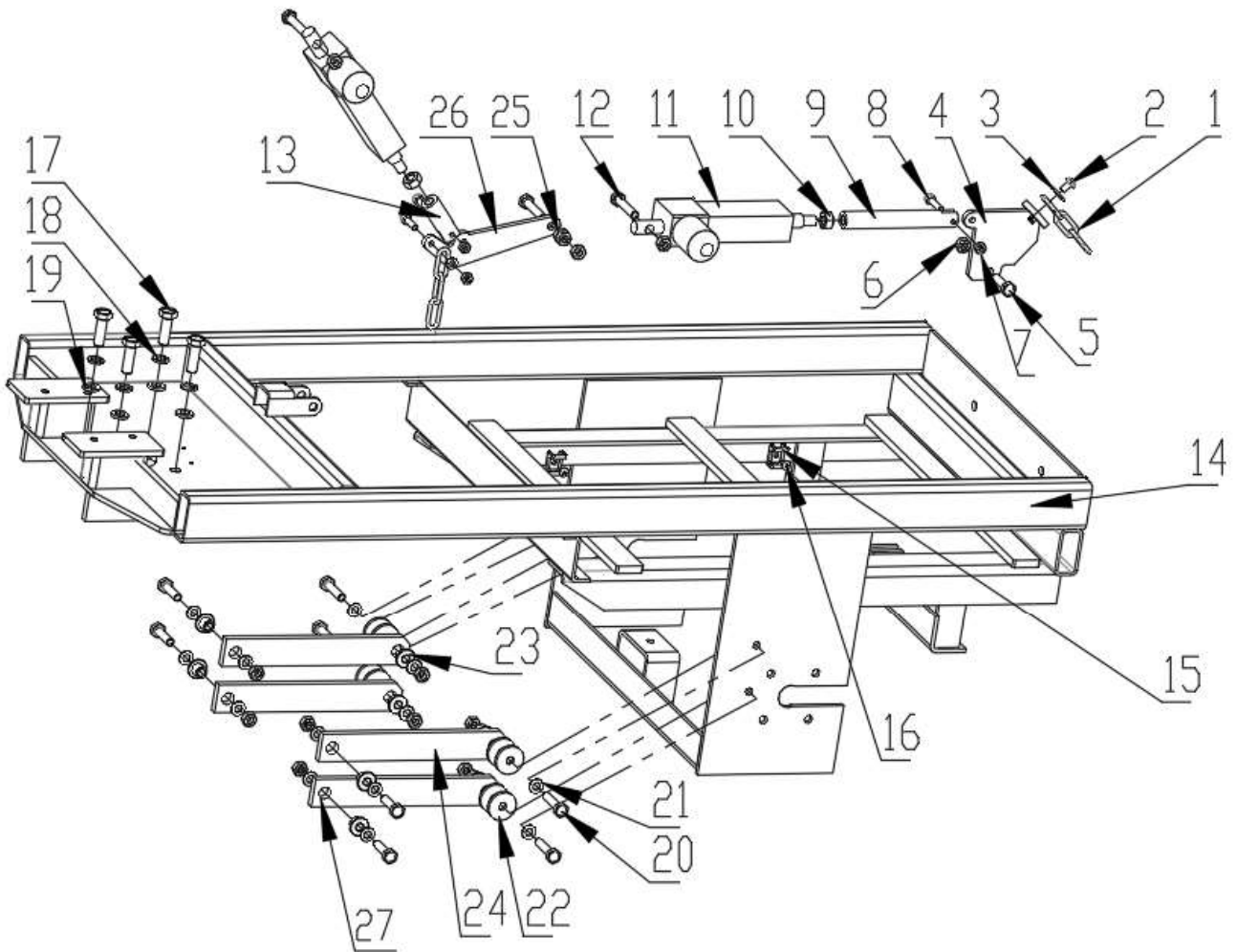
Ride-on Scrubber Dryer

KF75100B



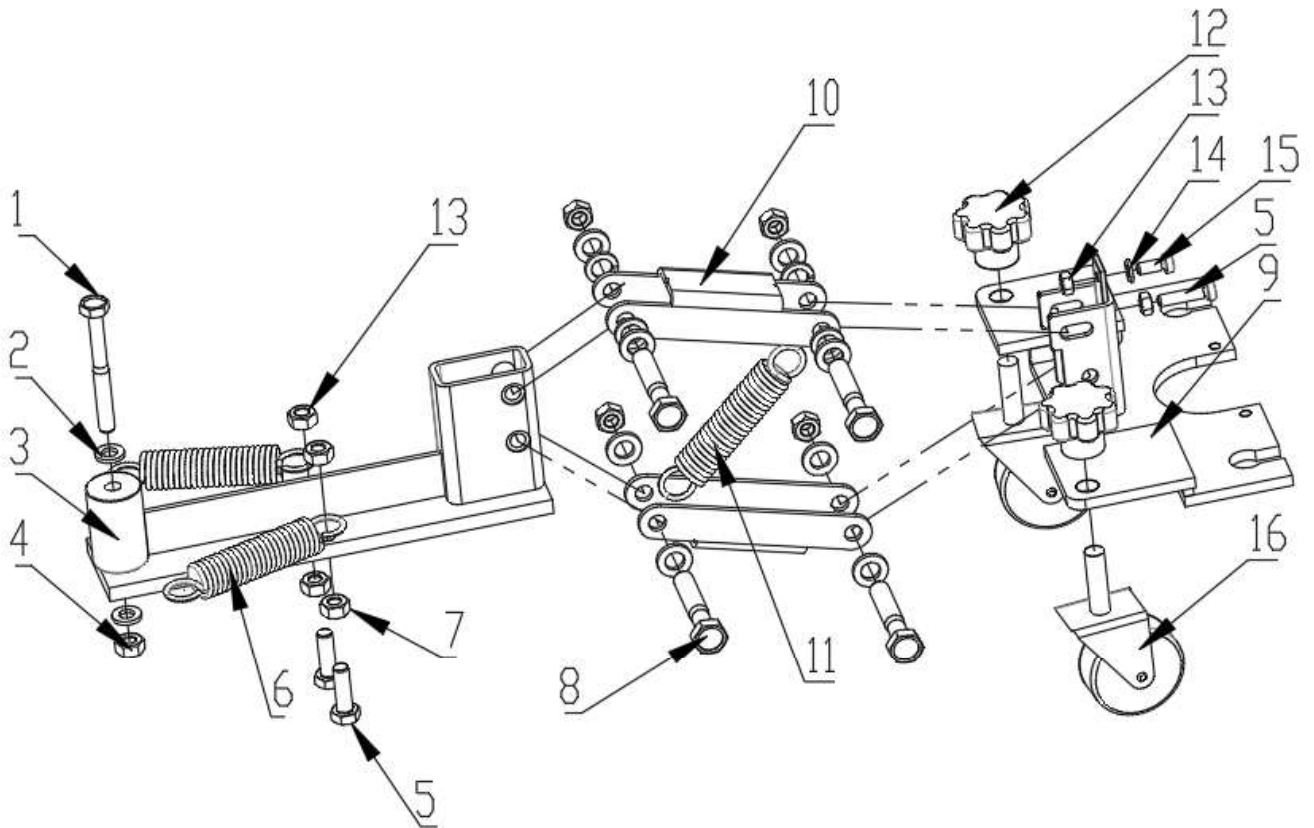
Content

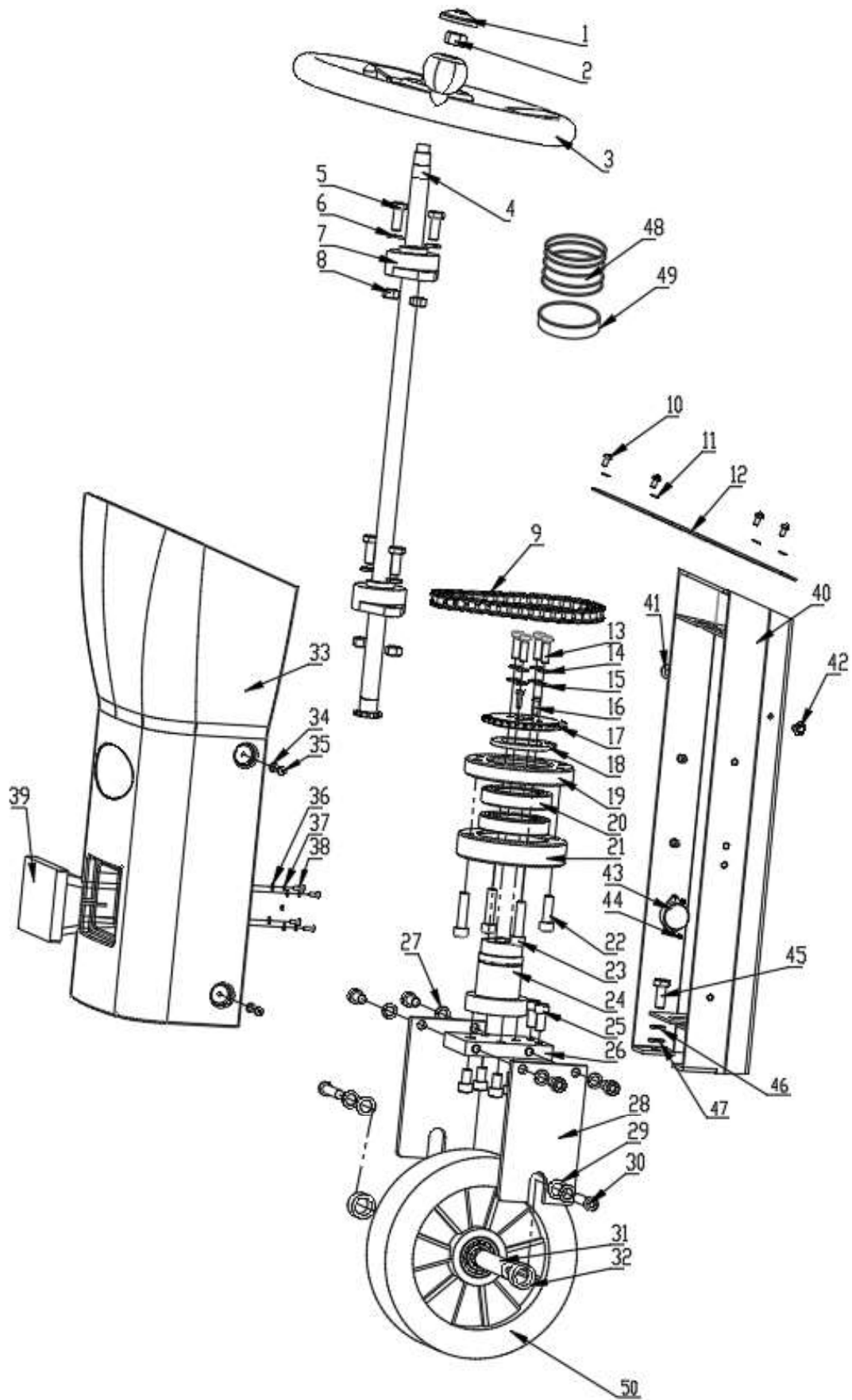
1. FRAME ASSEMBLY	3
2. SUPPORT FRAME ASSEMBLY	4
3. DRIVER ASSEMBLY	5
4. STEERING ASSEMBLY.....	6
5. CONTROL PANEL.....	8
6. SOLUTION TANK ASSEMBLY	9
7. RECOVERY TANK ASSEMBLY	11
8. NOSE ASSEMBLY	12
9. SQUEEGEE ASSEMBLY.....	15
10. WATER ASSEMBLY	16
11. ELEETRICE PARTS ASSEMBLY.....	17



			DESCRIPTION	
1	N010278		CHAIN 3S	2
2	N010141		SCREW M6*12 A2	1
3	N010125		WASHER $\Phi 6*\Phi 12*1$	2
4	H010164		PLAQUE 82*74*30	1
5	N010133		SCREW M8*25 A2	1
6	N010130		LOCK NUT M8 A2	12
7	N010129		LOCK NUT M6 A2	3
8	N010183		SCREW M6*25 A2	3
9	M010149		CONNECTING ROD $\Phi 16*127$	1
10	N010157		NUT M8 A2	2
11	E010171		LINEAR ACTUATOR 24V 35W	2
12	N010116		SCREW M8*50 A2	3
13	M010150		LINK $\Phi 16*35$	1
14	H010159		BASE FRAME 1063*400*320	.

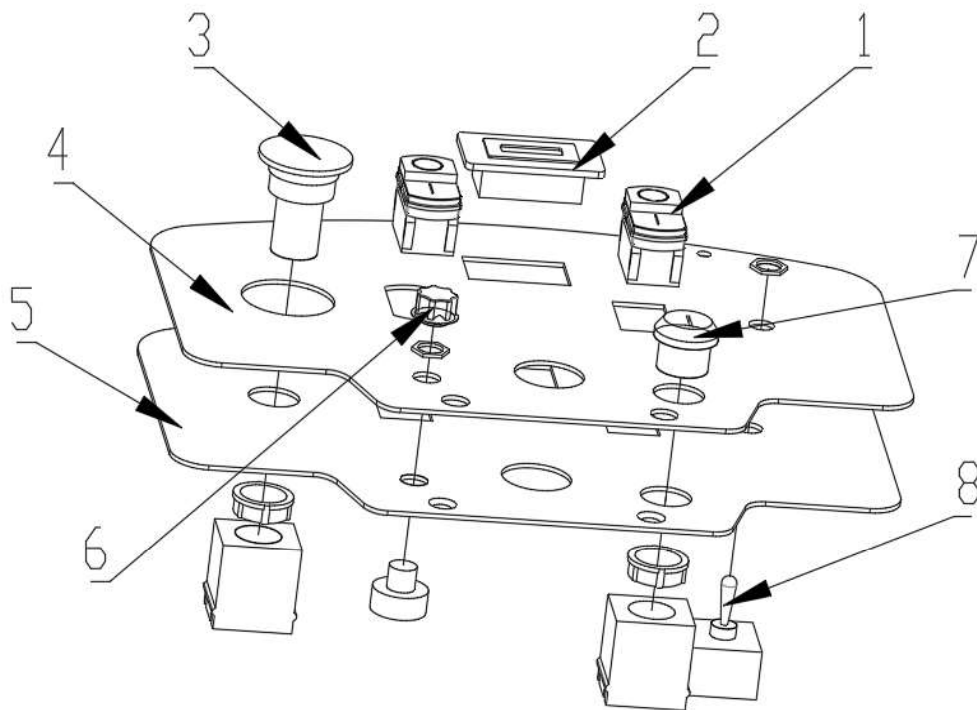
15	N010103		SUPPORT	2
16	N010136		SCREW M5*12 A2	2
17	N010195		SCREW M10*25 A2	4
18	N010185		LOCK WASHER M10 A2	4
19	N010163		WASHER $\Phi 10*\Phi 20*2$	4
20	N010194		SCREW M8*35 A2	8
21	N010126		WASHER $\Phi 8*\Phi 16*1$	16
22	M010151		GASKET $\Phi 30*\Phi 8.2*3.5$	8
23	M010152		BUSHING $\Phi 12.5*\Phi 18*9.5$	8
24	H010165		ARM 205*30*8	2
25	N010161		LOCK NUT M12 A2	2
26	H010175		LEVER	1
27	H010166		ARM 366*237*30	1



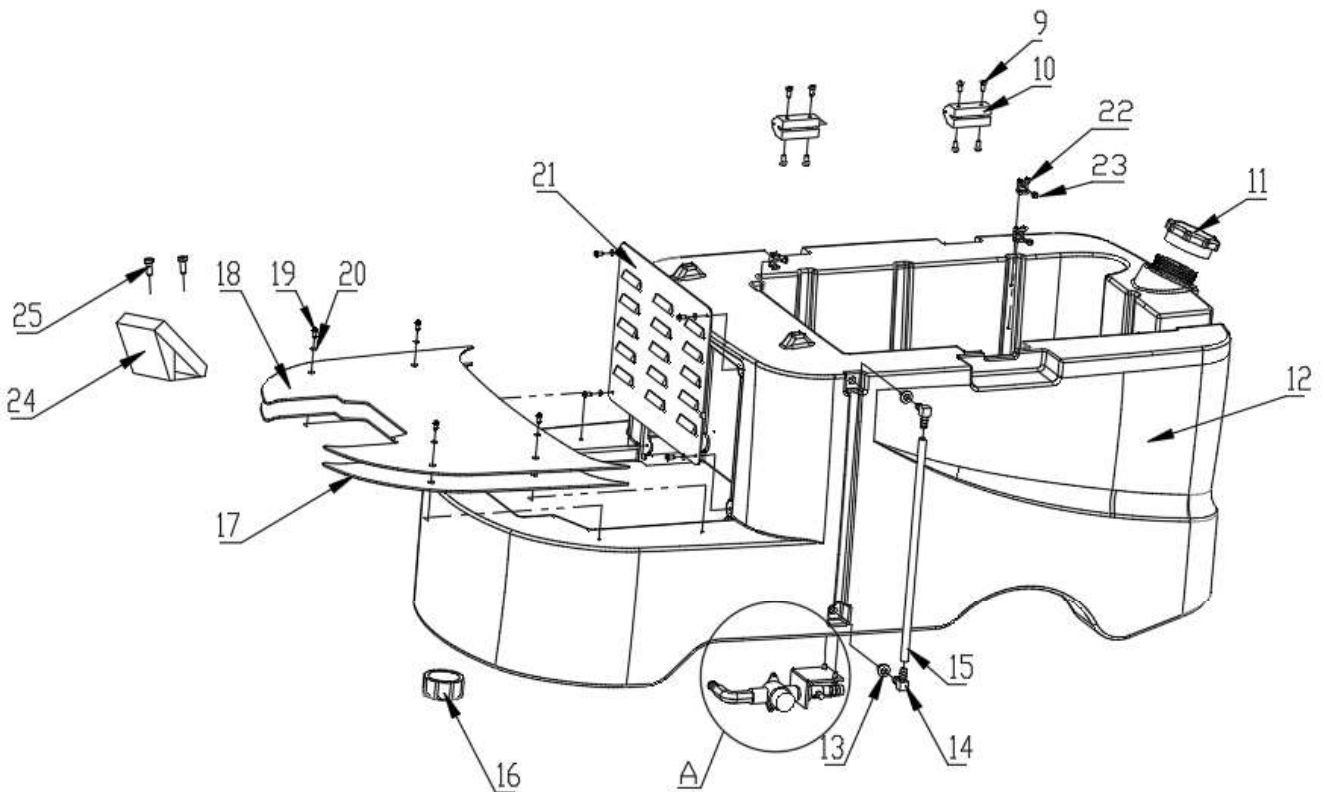
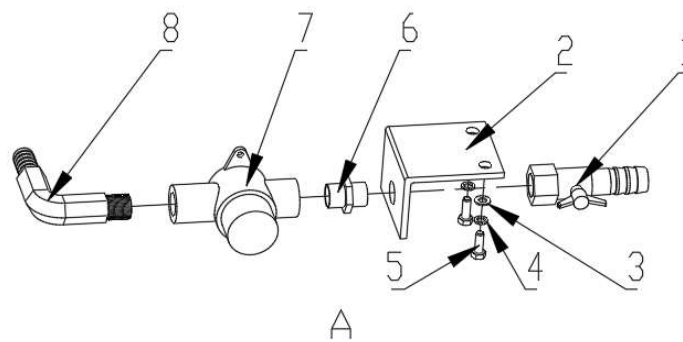


			DESCRIPTION	
1	P010154		STEERING WHEEL CAP	1
2	N010203		NUT M14	1
3	N010202		STEERING WHEEL Φ 300	1
4	M010142		STEERING AXIES A9	1
5	N010195		SCREW M10*25 A2	4
6	N010163		WASHER Φ 10* Φ 20*2	4
7	N010270		MOUNTED BEARINGS SBPFL 204	2
8	N010177		LOCK NUT M10 A2	4
9	N010274		CHAIN 06B	1
10	N010136		SCREW M5*12 A2	4
11	N010123		WASHER Φ 5* Φ 15*1	4
12	H010172		CONTROL PANEL A9	1
13	N010132		SCREW M8*20 A2	4
14	N010121		LOCK WASHER M8 A2	4
15	N010126		WASHER Φ 8* Φ 16*1	4
16	N010118		SCREW M6*20 A2	2
17	M010141		06B GEAR 30	1
18	H010162		PLATE Φ 70	1
19	M010139		BEARINGS FLANGE Φ 124*18	1
20	N010196		BEARING 6010	2
21	M010140		BEARINGS FLANGE Φ 124*26	1
22	N010197		SCREW M10*30 A2	1
23	N010275		SCREW M10*40 A2	3
24	M010138		STEERING SHAFT	1
25	N010198		SCREW M10*20 A2	10
26	H010161		PLATE 105*74	1
27	N010185		LOCK WASHER M8 A2	6
28	H010160		PLATE 160*90	2
29	N010176		WASHER Φ 10* Φ 30*2.5	2
30	N010197		SCREW M10*30 A2	2
31	M010147		DRIVEN WHEEL AXIES Φ 20*90	1
32	M010148		BUSHING Φ 30* Φ 20.2*20	2
33	P010155		COVER A9	1
34	N010182		WASHER Φ 6* Φ 18*1.6	4
35	N010218		SCREW M5*35 A2	4

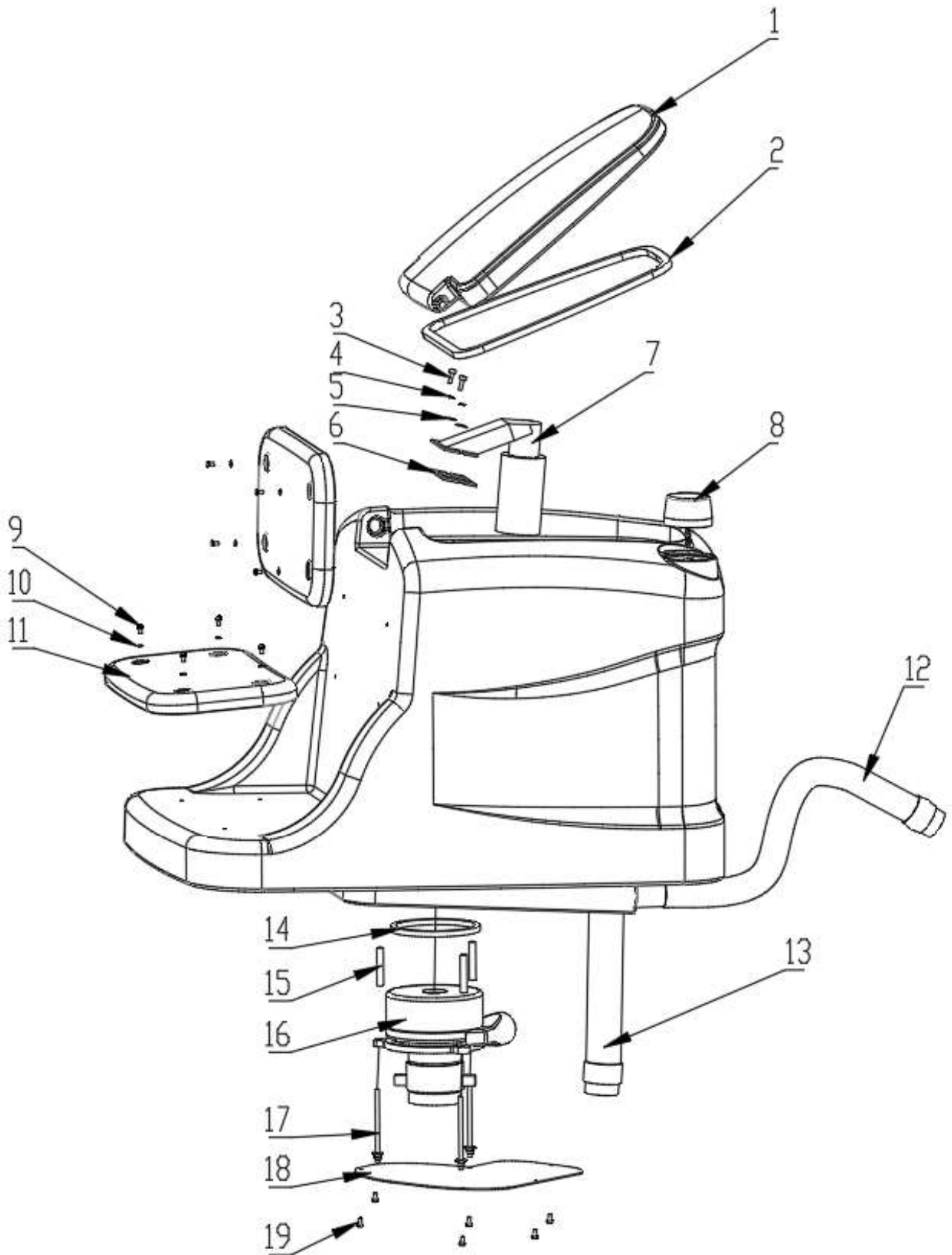
36	N010123		WASHER Φ 5* Φ 15*1	4
37	N010119		LOCK WASHER M5 A2	4
38	N010135		SCREW M4*12 A2	4
39	E010141		LIGHT 18W	1
40	H010173		STEERING SUPPORT A9	1
41	E010156		HORN SWITCH	1
42	E010169		HEAD LIGHT SWITCH	1
43	E010170		BUZZER 24V	1
44	N010137		SCREW M3*12 A2	2
45	N010132		SCREW M8*20 A2	4
46	N010121		LOCK WASHER M8 A2	4
47	N010126		WASHER Φ 8* Φ 16*1	4
48	N010206		BELLOWS	1
49	P010131		END CAP	1
50	P020156		STEERING WHEEL Φ 225	1



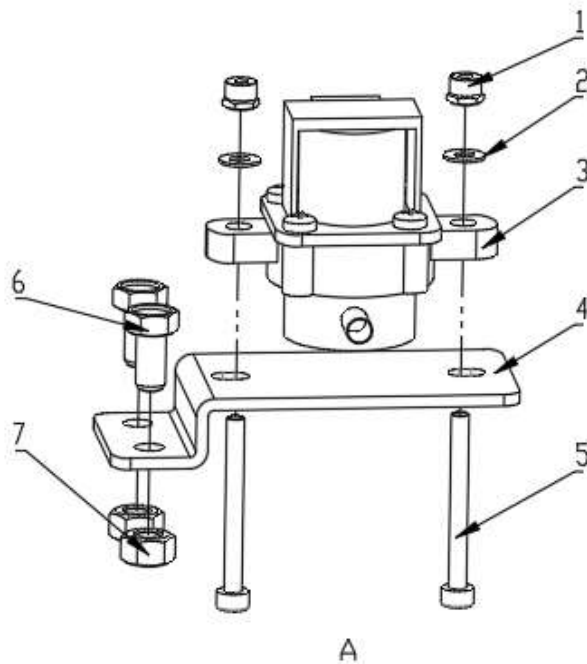
			DESCRIPTION	
1	E010102		ROCKER SWITCH 16A	2
2	E010103		BATTERY INDICATION	1
3	E010134		EMERGENCY STOP 36V	1
4	E010173		CONTROL PANEL PAD A9	1
5	H010172		CONTROL PANEL A9	1
6	E010129		SPEED KNOB 36V	1
7	E010101		KEY SWITCH	1
8	E010135		SWITCH	1

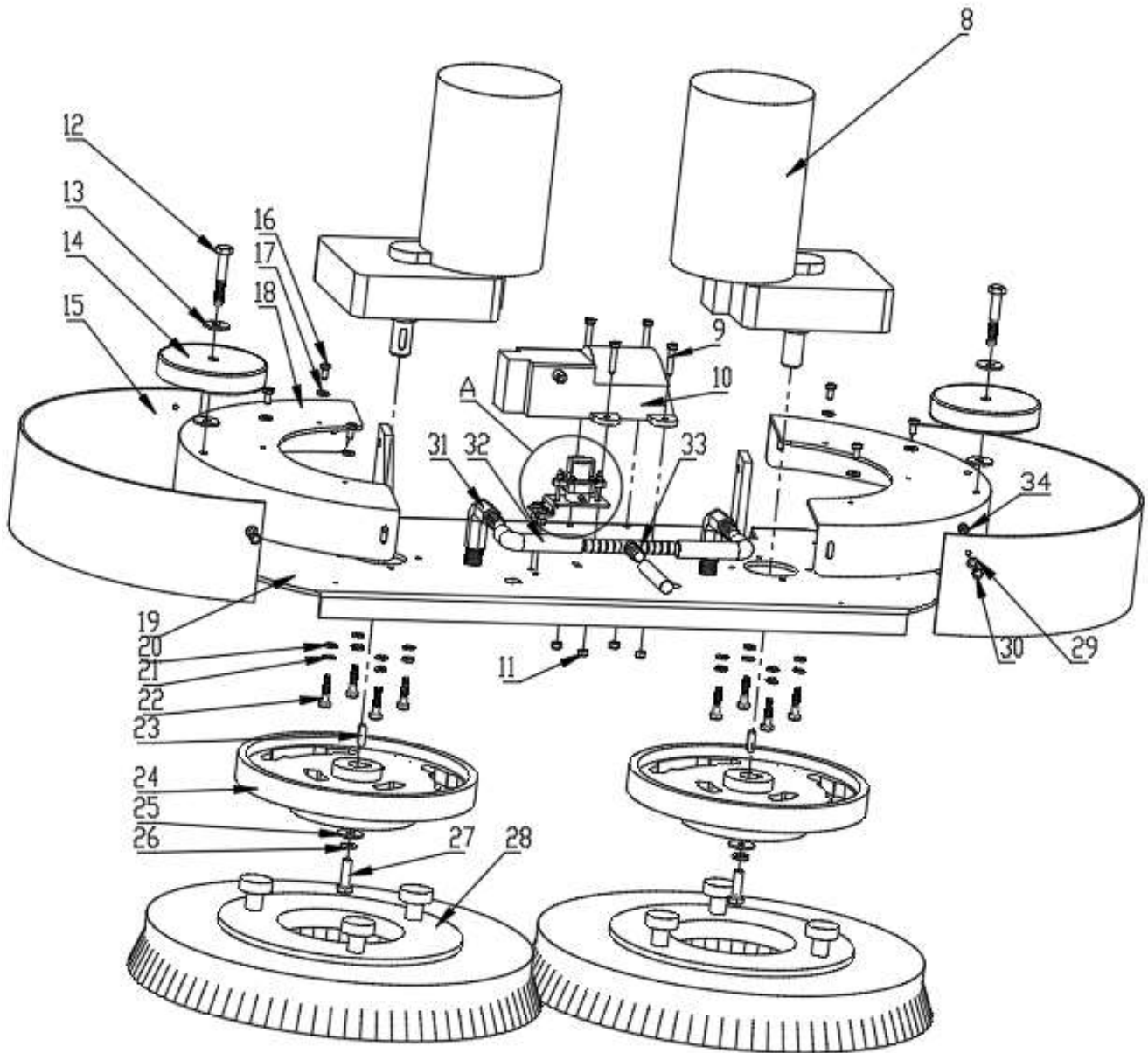


			DESCRIPTION	
1	N010101		BALL VALVE	1
2	H010119		VALVE SUPPORT	1
3	N010122		WASHER $\Phi 5*\Phi 10*1$	2
4	N010119		LOCK WASHER M5 A2	2
5	N010148		SCREW M5*16 A2	2
6	N010279		NIPPLE	1
7	P010119		FILTER	1
8	N010105		3/8 ELBOW	1
9	N010138		SCREW M6*25 A2	8
10	P010122		HINGE	2
11	P010158		THREADED COVER	1
12	P010148		SOLUTION TANK A9	1
13	P020148		SILICONE PLUG	2
14	P010159		ELBOW	2
15	P010160		PIPE $\Phi 12$	1
16	P010136		CAP M50	1
17	H010187		BOTTOM PLATE 597*447*3	1
18	P020149		FOOT PAD 597*447*3	1
19	N010136		SCREW M5*12 A2	8
20	N010122		WASHER $\Phi 5*\Phi 10*1$	8
21	H010111		COVER	1
22	N010103		SUPPORT	1
23	N010136		SCREW M5*12 A2	3
24	E010136		PEDAL	1
25	N010132		SCREW M8*20 A2	2



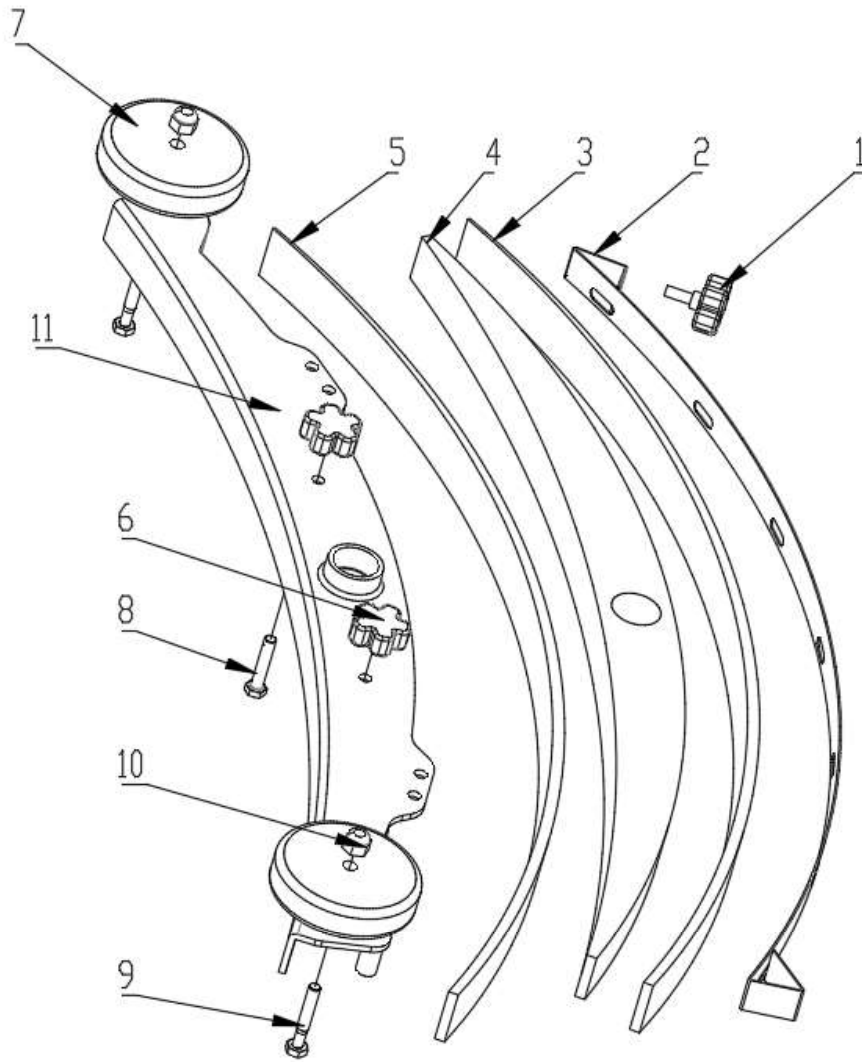
			DESCRIPTION	
1	P010151		RECOVERY TANK A9	1
2	P020103		TANK GASKET	1
3	N010110		SCREW M5*16 A2	2
4	N010119		LOCK WASHER M5 A2	2
5	N010123		WASHER $\Phi 5*\Phi 15*1$	2
6	P020104		SUCTION GASKET	1
7	P010106		SUCTION BODY	1
8	E010167		CAUTION LIGHT 24V	1
9	N010276		SCREW M5*35 A2	8
10	N010123		WASHER $\Phi 5*\Phi 15*1$	8
11	P010150		SEAT 390*230	2
12	P010153		EXHAUST PIPE	1
13	P010152		SUCTION HOSE	1
14	P020142		CUSHION $\Phi 140*5$	1
15	P010161		0x bar	1
16	E010168		SUCTION MOTOR 24V 550W 3 STAGE	1
17	N010117		SCREW M6*100 A2	3
18	P010122		MOTOR COVER	1
19	N010218		SCREW M5*35 A2	6



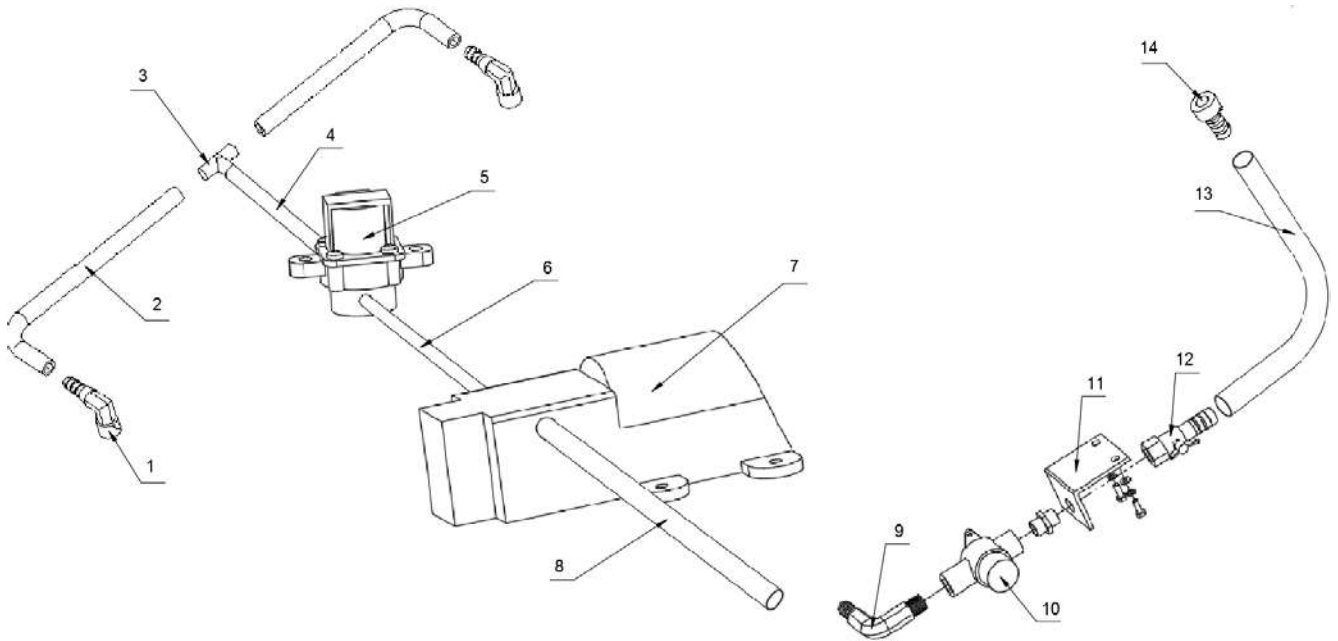


			DESCRIPTION	
1	N010152		LOCK NUT M4 A2	2
2	N010277		WASHER $\Phi 4 * \Phi 8 * 1$	2
3	E010110		DISTRIBUTOR 24V	1
4	H010109		DISTRIBUTOR SUPPORT	1
5	N010151		SCREW M4*30 A2	2
6	N010110		SCREW M5*16 A2	2
7	N010128		LOCK NUT M5 A2	2

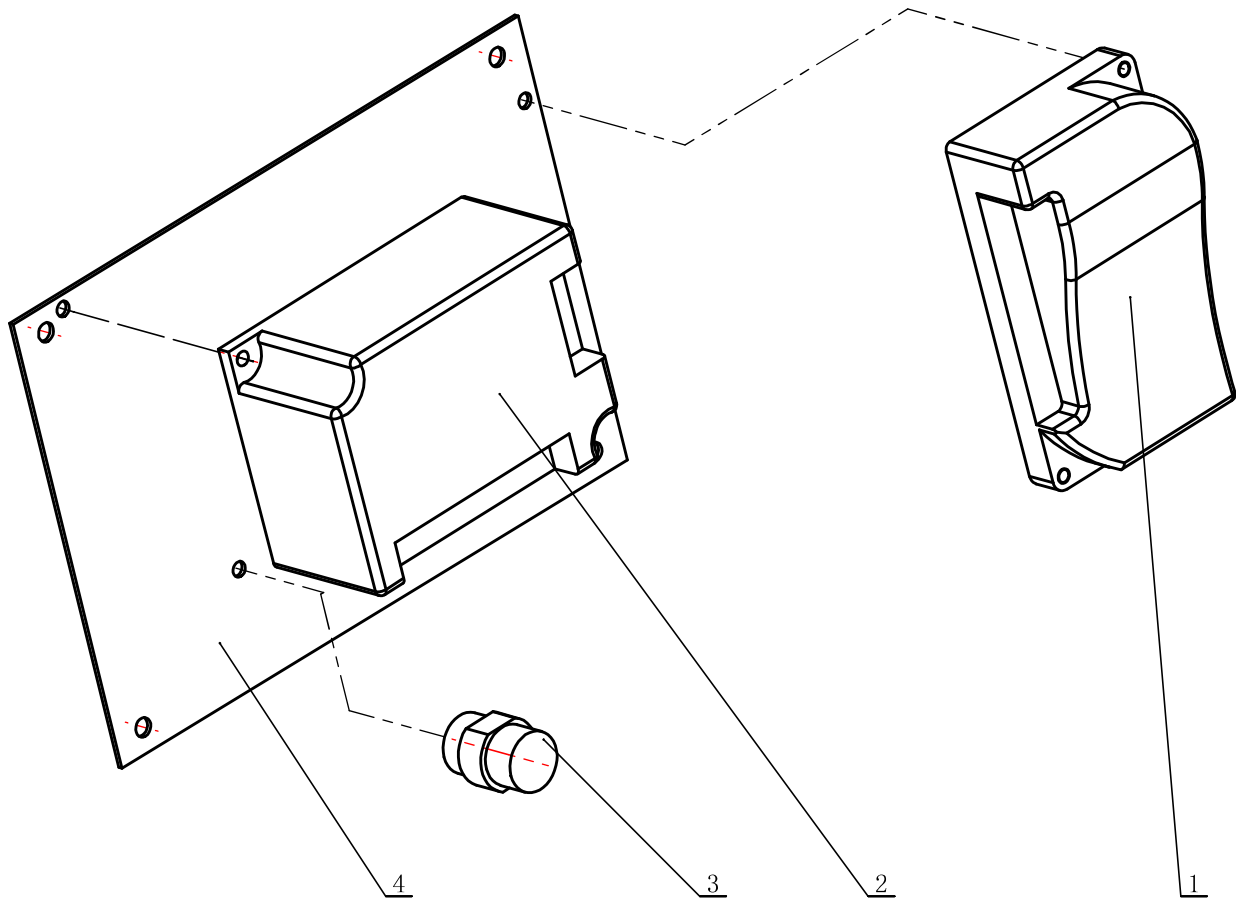
8	E010111		BRUSH MOTOR 24V 380W	2
9	N010214		SCREW M5*20 A2	4
10	E010140		MICRO-PUMP 36V	1
11	N010128		LOCK NUT M5 A2	4
12	N010116		SCREW M8*50 A2	2
13	N010126		WASHER $\Phi 8*\Phi 16*1$	2
14	P010112		WHEEL $\Phi 100$	2
15	P020146		RUBBER SKIRT1430*81	2
16	N010141		SCREW M6*12 A2	6
17	N010125		WASHER $\Phi 6*\Phi 12*1$	6
18	H010174		BRUSH COVER 581.7*50	2
19	H010183		BRUSH BASE 694.5*275	1
20	N010125		WASHER $\Phi 6*\Phi 12*1$	8
21	N010120		LOCK WASHER M6 A2	8
22	N010118		SCREW M6*20 A2	8
23	N010144		KEY 6*6*30	2
24	M020101		FLANGE $\Phi 150*\Phi 18$	2
25	N010126		WASHER $\Phi 8*\Phi 16*1$	2
26	N010121		LOCK WASHER M8 A2	2
27	N010132		SCREW M8*20 A2	2
28	P010156		BRUSH 14''	2
29	N010122		WASHER $\Phi 5*\Phi 10*1$	8
30	N010136		SCREW M5*12 A2	8
31	N010142		ELBOW 1/2-12	2
32	P020147		SILICONE TUBE	2
33	N010171		T-FITTING D=10 d=8	1
34	N010128		LOCK NUT M5 A2	8



			DESCRIPTION	
1	N010281		SCREW M8*40	1
2	H010188		STAINLESS STEEL STRIP	1
3	P020150		REAR BLADE 960*56*4	1
4	P020116		MENISCUS	1
5	P020151		FRONT BLADE 990*64*4.76	1
6	P010114		KNOB M8	2
7	P010112		WHEEL Φ 100	2
8	N010282		SCREW M8*60	2
9	N010116		SCREW M8*50 A2	2
10	N010157		NUT M8 A2	2
11	M020104		SQUEEGEE BODY A9	1



			DESCRIPTION	
1	N010105		ELBOW 3/8-12	2
2	P020123		PIPE D=12 d=8 L=240	2
3	N010171		T-FITTING D=10 d=8	1
4	P020125		PIPE D=12 d=8 L=50	1
5	E010110		DISTRIBUTOR 24V	1
6	P020124		PIPE D=12 d=8 L=310	1
7	E010140		MICRO-PUMP 36V	1
8	P020126		PIPE D=12 d=8 L=600	2
9	N010105		3/8 ELBOW	1
10	P010119		FILTER 3/8	1
11	H010119		VALVE SUPPORT	1
12	N010101		1/2 BALL VALVE	1
13	P020126		PIPE D=12 d=8 L=600	1
14	N010227		CONNECTOR 3/4 D=12 d=10	1



1	E010166		DRIVE MOTOR CONTROLLER 24V 110A	1
2	E010177		BRUSH/SUCTION MOTOR CONTROLLER 24V	1
3	E010116		CATHODE INSULATING COLUMN	1
4	H010191		Electrical installation panel	1