



DESPIECE TÉCNICO
FREGADORA HOMBRE A PIE

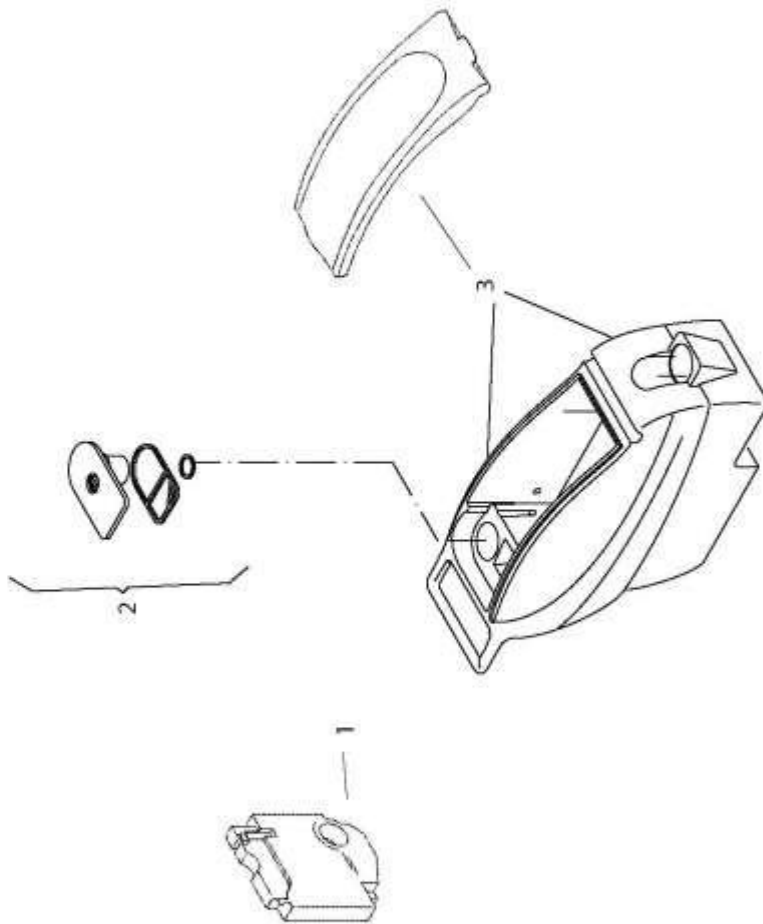
KF71B



Articolo: **8.517.0112** **KF71B KRUGER**
Tavola: **D85170001/01** Inizio Validità **20/11/2015** Fine Validità:

Componente	Descrizione	Pos.	Tipo Man.
4.508.0802	REAR COVER - GREY	1	
5.511.1470	KIT COVER + SEALS FOR VACUUM MOTOR	2	
5.511.1877	TANKS+FRONT COVER KF71B	3	

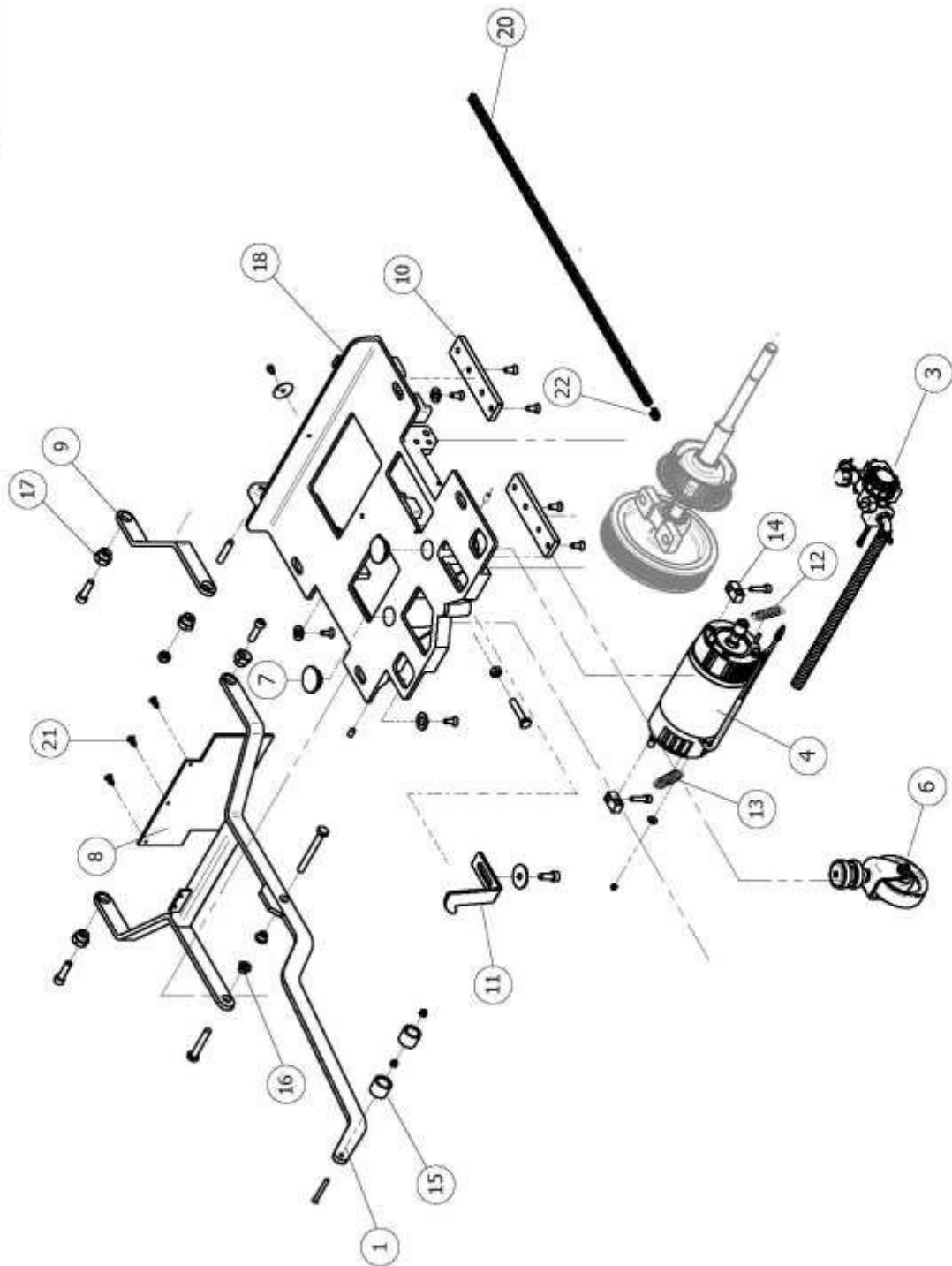
D85170001/01



Articolo: **5.509.1497** **GRUPPO TELAIO F2 CON FILTRO + ELETTROVALVOLA**
 Tavola: **D55090046/01** Inizio Validità **16/11/2015** Fine Validità:

Componente	Descrizione	Pos.	Tipo Man.
5.513.0203	FOOT LEVER FOR BRUSH PLATE	1	
5.511.1463	FILTER+SOLENOID VALVE ASSEMBLY F2	3	
5.511.1462	TRACTION MOTOR ASSEMBLY F2	4	S
5.511.0214	PIVOTING WHEEL F2 ASSEMBLY	6	
4.508.1222	HOLE-COVER CAP	7	
4.508.1201	SPLASH GUARD	8	
4.507.1083	BAR	9	
4.507.1082	PLATE	10	
4.507.0284	HOOK FOR FRAME	11	
4.507.0092	SPRING	12	
4.507.0076	SPRING	13	
4.507.0072	TRACTION MOTOR SUPPORT	14	
4.507.0039	PEDAL FOR BRUSH LIFT LEVER	15	S
4.506.0039	THREADED BUSHING	16	
4.506.0012	ECCENTRIC BUSHING	17	
4.505.0200	FRAME	18	
3.099.1404	CHAIN 06-B1 3/8 L=720mm	20	
3.099.1030	PLASTIC RIVET	21	
3.099.0495	CHAIN LINK FOR CHAIN 3/8 06 B -2	22	

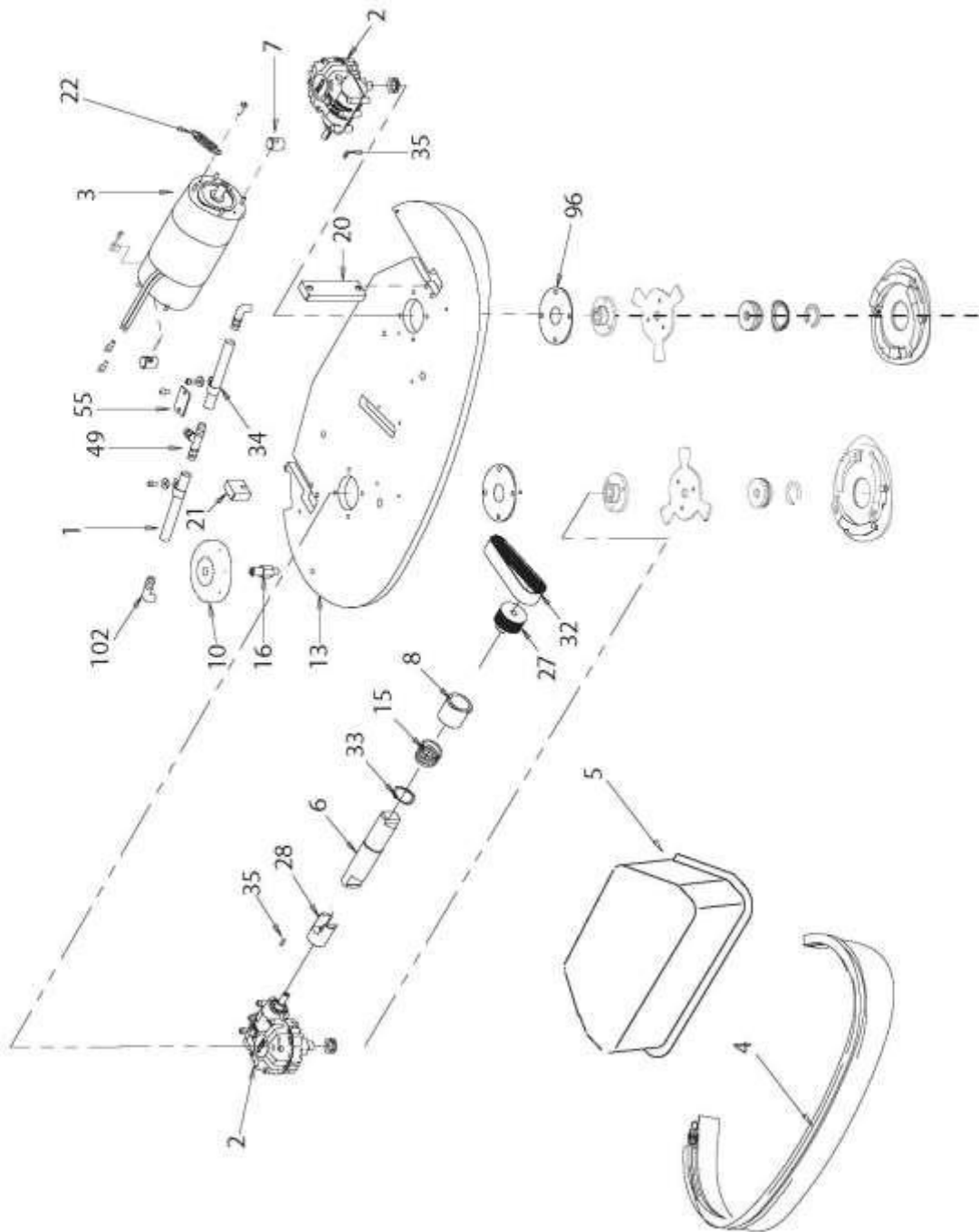
D55090046/01



Articolo: **5.509.1499** **GRUPPO PIATTOSPAZZOLA KF71B KRUGER**
 Tavola: **D55090047/01** Inizio Validità **17/11/2015** Fine Validità:

Componente	Descrizione	Pos.	Tipo Man.
3.099.1341	TUBO ARMONVILLE de.14 L=185mm	1	
5.509.0016	REDUCTION GEAR	2	
5.511.1465	BRUSH MOTOR ASSEMBLY F2	3	S
5.511.1064	BUMPER ASSEMBLY - MIDI 75	4	S
4.513.0336	COVER FOR BRUSH PLATE	5	
4.508.1200	GEAR REDUCTOR CONNECTION AXLE	6	
4.507.0151	MOTOR SUPPORT	7	
4.508.0299	NYLON CENTRING BUSHING	8	
4.508.0224	BUMPER WHEEL D.110 GREY	10	S
4.507.1133	BRUSH PLATE	13	
4.507.0335	COMPRESSION SPRING	15	
4.507.0308	SUPPORT FOR BUMPER WHEEL	16	
4.507.0094	BAR G/F 21 - LONG	20	
4.507.0093	BAR G/F 21 - SHORT	21	
4.507.0090	SPRING	22	
4.505.0054	DRIVEN PULLEY - KRON S1	27	
4.505.0032	RING NUT	28	
3.099.0856	BELT POLY-V 130J 330 H=12	32	S
3.099.0544	SEEGER RING D=35 UNI 7435-35	33	
3.099.0329	HOSE CLAMP D.20 ZNT	34	
3.099.0306	FEATER KEY 4X4X15 UNI 6604A	35	
3.100.0113	UNION TEE D.16 BLACK	49	
4.507.0104	SUPPORT FOR SQUEEGEE LIFT LEVE R	55	
4.507.1091	PROTECTING COVER FOR REDUCTION GEAR	96	
4.508.1245	WATER HOSE UNION	102	

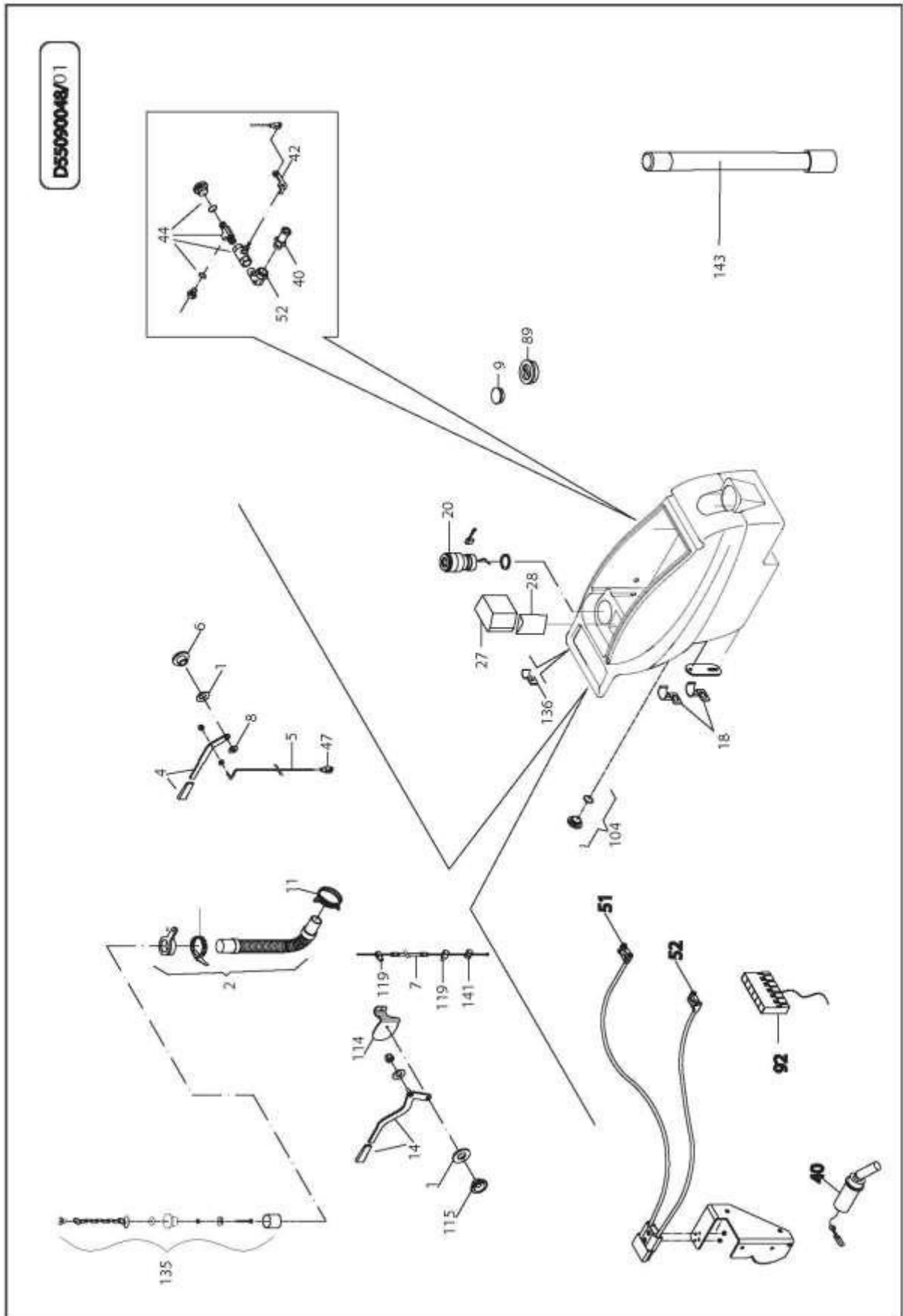
D55090047/03



Articolo: **5.509.1501** **GRUPPO COMPONENTI SERBATOI**
 Tavola: **D55090048/01** Inizio Validità **20/11/2015** Fine Validità:

Componente	Descrizione	Pos.	Tipo Man.
3.004.0124	SPRING WASHER 10.5X18X0.8 DIN 137A	1	
5.511.1467	DRAIN HOSE ASSEMBLY	2	S
5.511.1461	CONTROL WATER LEVEL ASSEMBLY	4	S
4.507.0905	TIE ROD FOR WATER TAP	5	
4.506.0094	BUSHING	6	
3.099.1331	SQUEGEE LIFT CABLE	7	S
4.508.0395	BATTERY COMPARTMENT CAP	9	
4.507.0886	STOP CLAMP	10	
3.099.0588	CLAMP 50-65 H=12	11	
5.511.1458	SQG LIFTING LEVER ASSEMBLY	14	
3.099.0329	HOSE CLAMP D.20 ZNT	18	
5.511.1468	SUCTION MOTOR ASSEMBLY	20	S
4.508.0473	AIRFOAM FILTER	27	O
4.507.0530	SUCTION BUFFLE PLATE	28	
5.511.0701	FLOATING SWITCH ASSEMBLY	40	S
3.100.0110	HOSE FITTING UNION 1/2	40	
4.507.0235	WATER VALVE LEVER	42	
5.511.1460	UNIFIED TAP ASSEMBLY	44	
3.099.0337	WATER GEAR CONTROL M6+CLIP	47	
3.405.0046	NEGATIVE BATTERY TERMINAL	51	
3.405.0047	POSITIVE BATTERY TERMINAL	52	
3.100.0074	UNION ELBOW 1/2 M 1/2 F	52	
4.508.0534	SOLUTION TANK CAP	89	
3.499.0144	CONNECTOR M.	92	
5.511.0203	RECOVERY TANK CAP ASSEMBLY	104	
4.507.1168	SUPPORT FOR LEVER	114	
4.506.0225	SLEEVE	115	
4.507.1206	PIN FOR CABLE WITH SLEEVE	119	
5.511.0421	DRAIN HOSE CAP ASSEMBLY	135	S
3.099.0827	HOSE CLAMP D.14/16	136	
5.511.1135	SUCTION HOSE ASSEMBLY	143	S

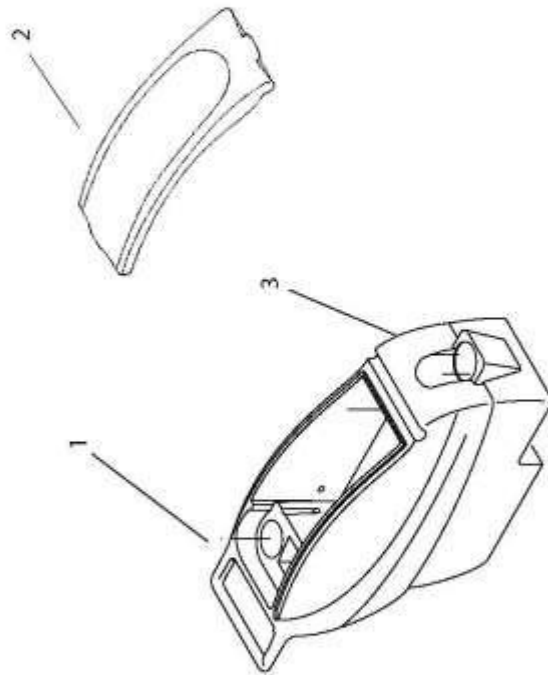
D55090048/01



Articolo: **5.511.1877** **ASSIEME SERBATOI + COFANO ANT.**
Tavola: **D55110048/01** Inizio Validità **20/11/2015** Fine Validità:

Componente	Descrizione	Pos.	Tipo Man.
4.508.0878	RECOVERY TANK - LIGHT GREY	1	
4.508.0470	BATTERY COMPARTMENT COVER	2	
4.508.0105	SOLUTION TANK F2 - DARK GREY	3	

D551100-48/01

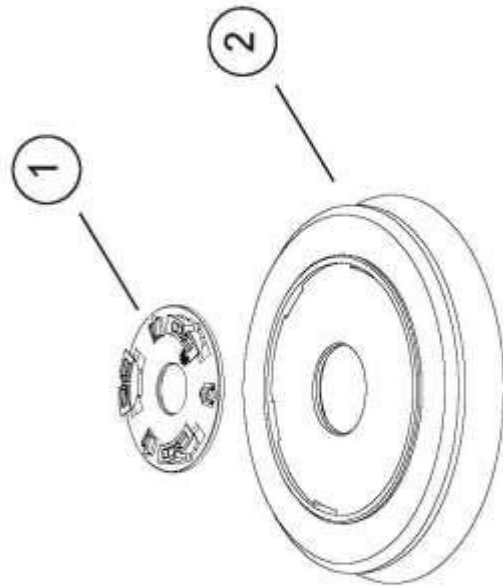


Articolo: **5.511.1168** **ASSIEME SPAZZOLA PPL D.**

Tavola: **D55110033/01** Inizio Validità **16/11/2015** Fine Validità:

Componente	Descrizione	Pos.	Tipo Man.
4.508.1192	UNIFIED FLANGE FOR BRUSH COUPLING	1	S
3.602.0035	PPL BRUSH MOD.KF71B D.360 WITHOUT PLAQUE	2	

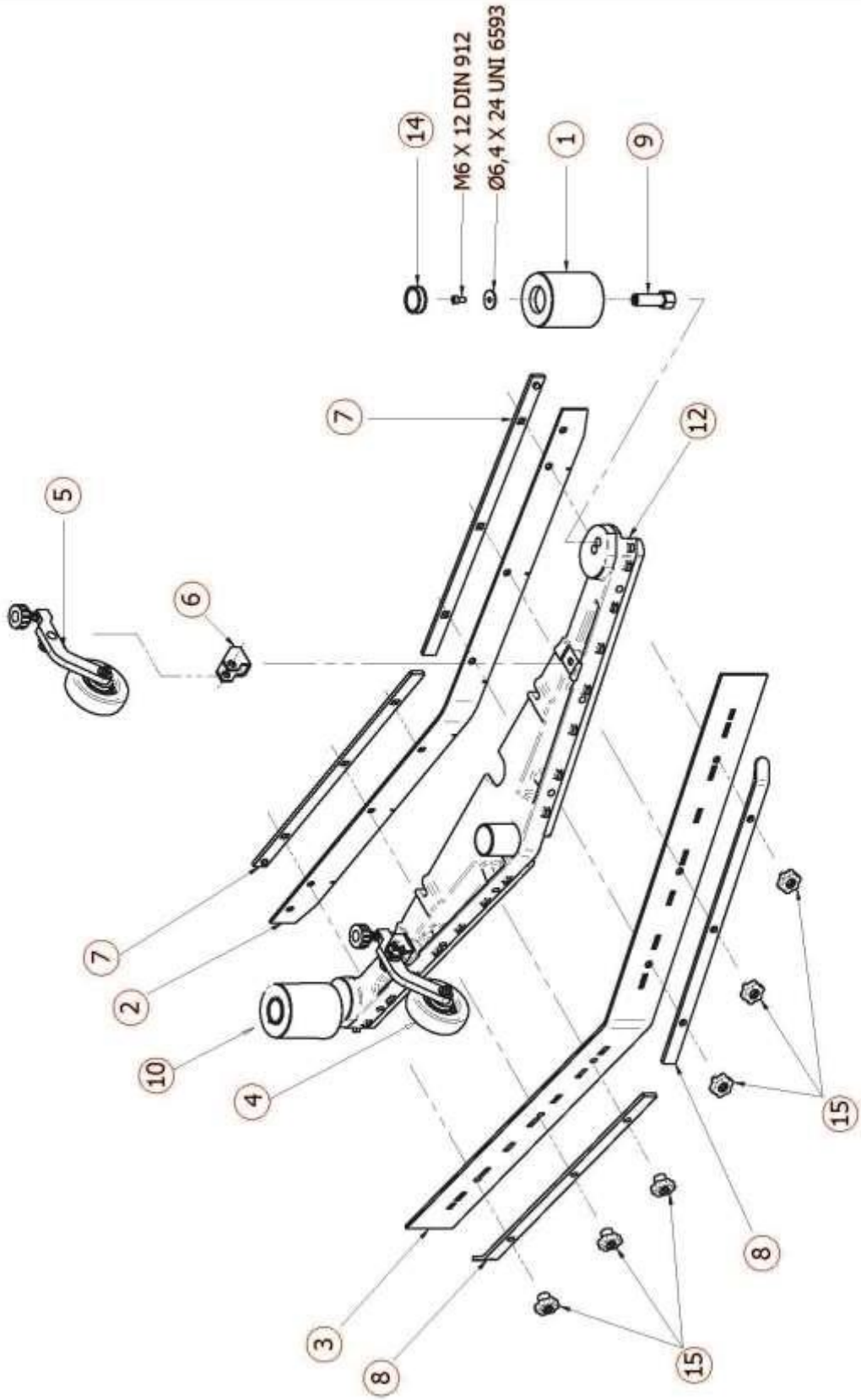
D55110033/01



Articolo: **5.511.1466** **ASSIEME SQUEEGEE**
Tavola: **D55110012/01** Inizio Validità **17/11/2015** Fine Validità:

Componente	Descrizione	Pos.	Tipo Man.
4.508.0605	REAR SQUEEGEE BLADE	2	
4.508.0646	FRONT SQUEEGEE BLADE	3	
5.511.1253	RIGHT SQUEEGEE WHEEL ASSEMBLY	4	S
5.511.1078	LEFT SQUEEGEE WHEEL ASSEMBLY	5	S
4.507.0986	WHEEL LEVER SUPPORT	6	
4.507.0748	BLADE HOLDER - REAR	7	
4.507.0749	BLADE HOLDER - FRONT	8	
5.511.1436	ASSIEME RUOTA PARACOLPI SQG	10	
4.505.0168	SQUEEGEE - KF71B	12	
3.099.0467	KNOB M8	15	

D55110012/01

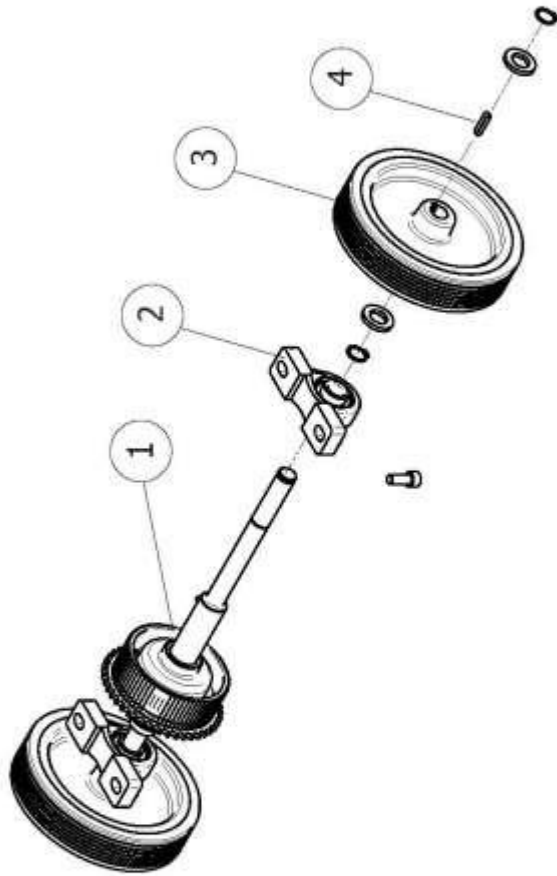


Articolo: **5.509.0377** **GRUPPO DIFFERENZIALE F2 COMPLE TO de RUOTE E SUPPORTI**

Tavola: **D55090045/01** Inizio Validità: **16/11/2015** Fine Validità:

Componente	Descrizione	Pos.	Tipo Man.
5.511.0022	DIFFERENTIAL GEAR ASSEMBLY - F 2	1	
3.001.0047	STRAIGHT SUPPORT D.20	2	
3.006.0140	WHEEL D.200 TPU 80shA	3	S
3.099.0323	FEATHER KEY 6X6X30 UNI 6604A	4	

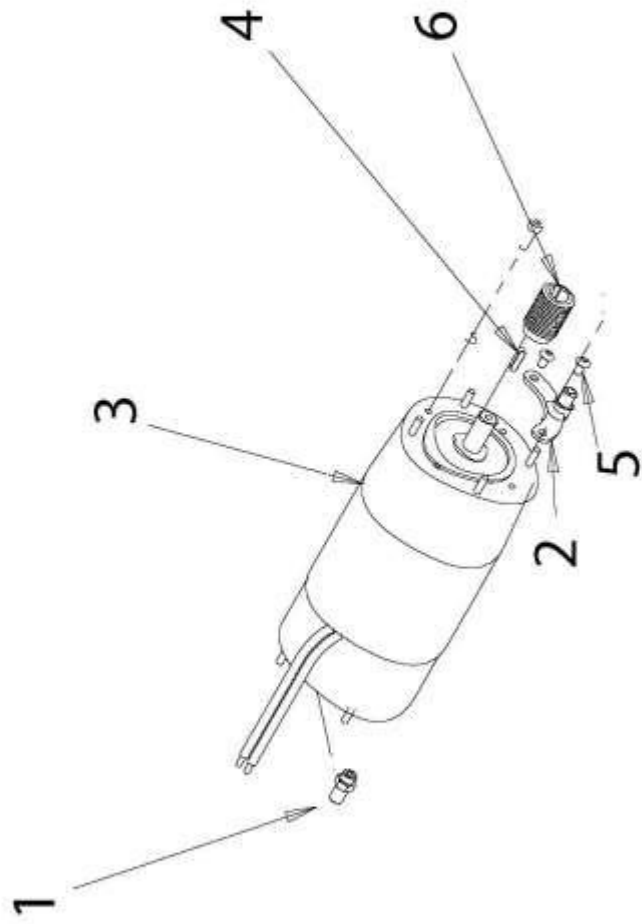
D55090045/01



Articolo: **5.511.1465** **ASSIEME MOTORE SPAZZOLE F2**
Tavola: **D55110046/01** Inizio Validità **16/11/2015** Fine Validità:

Componente	Descrizione	Pos.	Tipo Man.
4.506.0055	BUSHING FOR MOTOR SUPPORT	1	
5.513.0222	MOTOR SUPPORT (BELT SIDE)	2	
5.501.0003	BRUSH MOTOR 24V-1000W	3	S
3.099.0054	FEATHER KEY 5X5X20 UNI 6604	4	
3.002.0752	SCREW M6X10 ISO7380 INOX	5	
4.505.0184	DRIVEN PULLEY	6	

D55110046/01

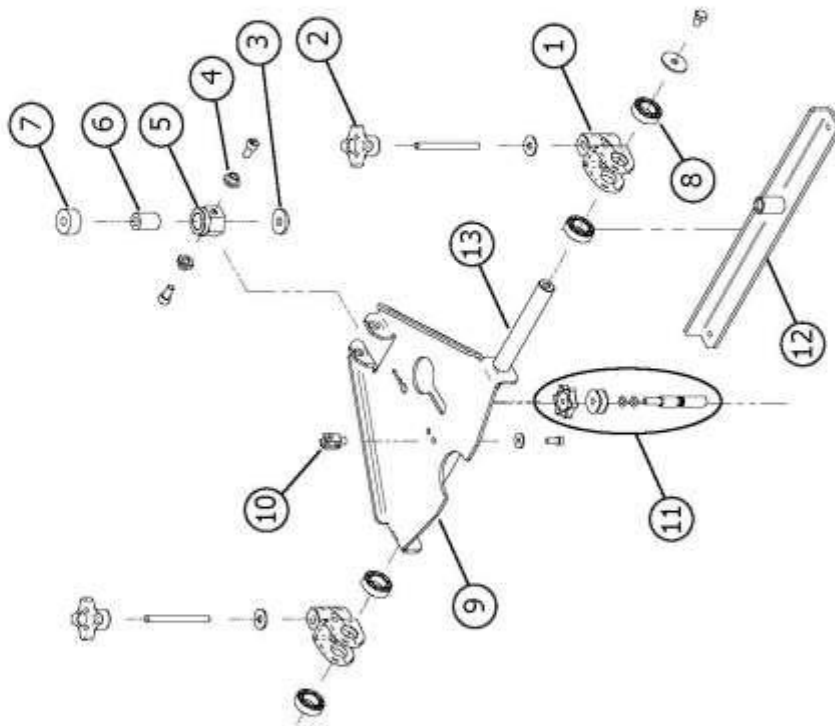


Articolo: **5.511.1426** **ASSIEME SUPPORTO SQG UNIFICATO KF71B KRUGER**

Tavola: **D55110040/01** Inizio Validità **13/11/2015** Fine Validità:

Componente	Descrizione	Pos.	Tipo Man.
5.513.0170	DIE-CAST SQUEEGEE SUPPORT	1	
4.507.0344	WASHER	2	
5.511.1437	SQUEEGEE REGULATOR KNOB	2	
4.506.0229	BUSHING	4	
4.508.0647	SPACER	5	
4.506.0246	VERTICAL ARTICULATED JOINT	6	
4.507.1217	SQUEEGEE SPACER	7	
4.507.1214	HORIZONTAL ARTICULATED JOINT	8	
4.507.1028	SQUEEGEE SUPPORT	9	
3.099.0337	WATER GEAR CONTROL M6+CLIP	10	
5.511.1149	SQUEEGEE AJUSTING SET 09/06	11	
4.507.0987	ANTIROTATION BAR	12	
4.507.0985	SQUEEGEE AXIS	13	

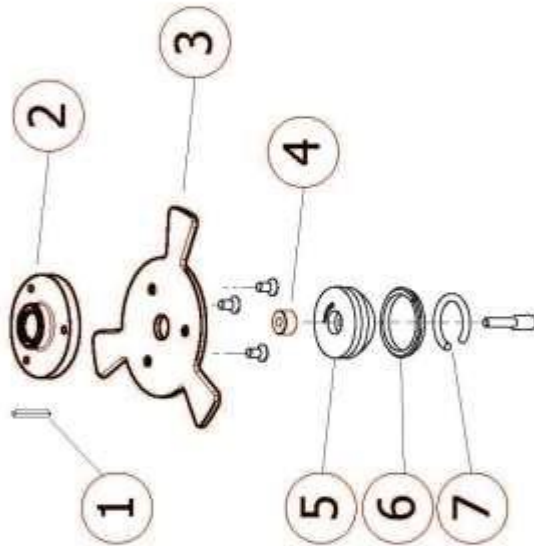
D55110040/01



Articolo: **5.511.0308** **ASSIEME INNESTO SPAZZOLA NUOVO KF71B KRUGER**
Tavola: **D55110013/01** Inizio Validità **11/11/2015** Fine Validità:

Componente	Descrizione	Pos.	Tipo Man.
3.099.0013	FEATHER KEY 5X5X15	1	
4.507.0302	BRUSH COUPLING FLANGE	2	
4.507.0300	BRUSH COUPLING	3	
4.508.0290	BRUSH COUPLING CENTERING BUSHI NG	5	
4.508.0314	OPENED RING	6	
3.200.0127	O-RING D=5.34 L=106	7	

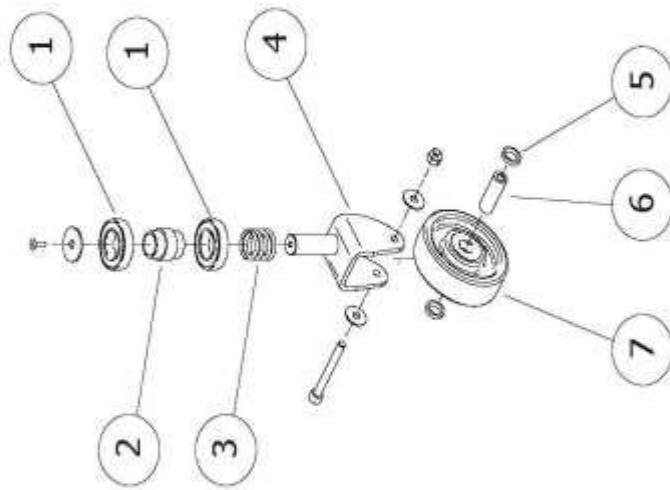
D55110013/01



Articolo: **5.511.0214** **ASSIEME RUOTA PIVOTTANTE F2**
Tavola: **D55110044/01** Inizio Validità **16/11/2015** Fine Validità:

Componente	Descrizione	Pos.	Tipo Man.
3.001.0052	BEARING 6005 2RS 25X47X12	1	
4.508.0159	PIVOTING WHEEL BUSHING	2	
4.507.0171	SPRING FOR PIVOTTING WHEEL	3	
5.513.0181	PIVOTING WHEEL SUPPORT - F2	4	
4.508.0234	WASHER FOR PIVOTING WHEEL	5	
4.507.1131	PIPE SPACER	6	
3.006.0043	WHEEL D.100 RED W/BEARING	7	S

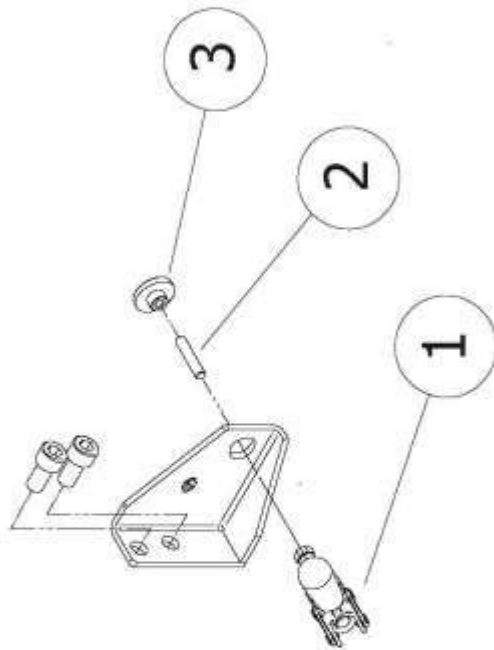
D55110044/01



Articolo: **5.511.1464** **ASSIEME FRENO F2**
Tavola: **D55110045/01** Inizio Validità **16/11/2015** Fine Validità:

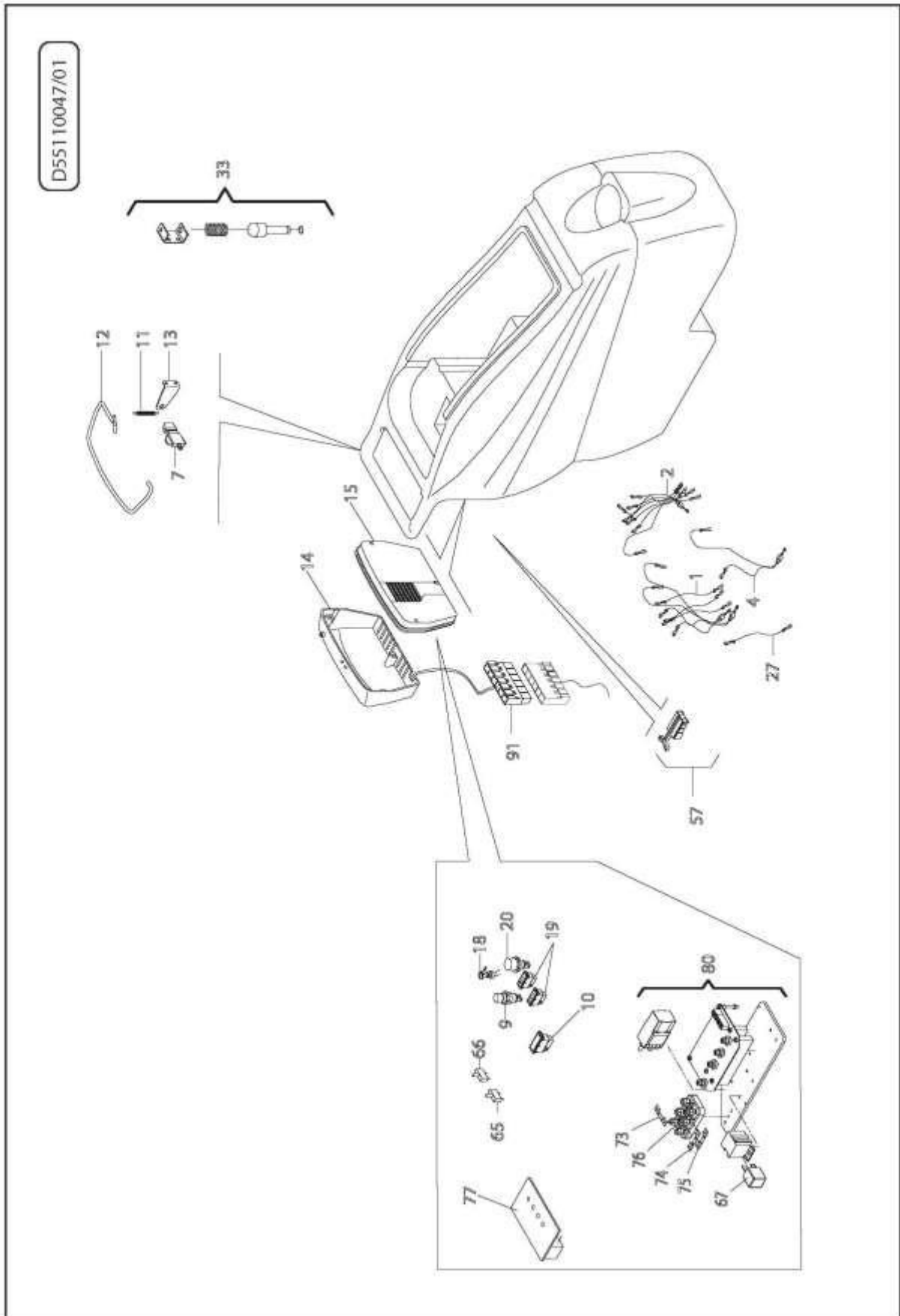
Componente	Descrizione	Pos.	Tipo Man.
3.099.1415	HANDLE BRAKE	1	
3.002.0407	SCREW M6X30 UNI 5923 INOX	2	
4.507.1267	STOPPER FOR BRAKE	3	

D55110045/01



Articolo: **5.511.0780** **SCATOLA ELETTRICA CABLATA**
 Tavola: **D55110047/01** Inizio Validità **17/11/2015** Fine Validità:

Componente	Descrizione	Pos.	Tipo Man.
4.512.0040	COMLETE ELECTRIC WIRING BOARD, LEV.-GAUGE,ELECT.VALVE	1	
4.512.0041	COMPLETE ELECTRIC WIRING FOR T RACTION BOARD KF71B	2	
4.512.0042	COMLETE ELECTRONIC WIRING FOR FLOAT KF71B	4	
3.401.0113	MICROSWITCH SAIA XGO2-88-J24	7	S
3.499.0252	POTENTIOMETER 5K ELECT.WIRING 4WAY, WITH HANDLE	9	S
3.403.0252	DIGITAL HOUR METER (FOR POSITIVE POLE)	10	
4.507.0522	SPRING	11	
4.507.0802	LEVER	12	
4.507.0659	CLAMP FOR TRACTION LEVER	13	
4.508.0701	ELECTRIC BOX COVER	14	
4.508.0397	ELECTRIC BOX SUPPORT	15	
3.499.0406	IGNITION KEY FOR ELECTRONIC DASHBOARD CARD	18	
3.401.0139	DOUBLE-POLE SWITCH COMAREL 280 218 BLACK	19	S
3.403.0046	BATTERY CHARGE INDICATOR 810/2 4V	20	S
4.512.0043	COplete ELEC.WIRING BRUSH MOTOR KF71B	27	S
5.509.0556	CONTROL LEVER ASSEMBLY	33	
7.503.0130	STICKER FOR THERMAL BREAKER LA BEL	39	
4.512.0045	COMPLETE ELEC.WIRING W/CONNECT 80A AND HANDLE KF71B	57	
3.401.0076	THERMAL CIRCUIT BREAKER 40A SM 7400	65	S
3.401.0073	THERMAL CIRCUIT BREAKER 12A SM 7120	66	S
3.402.0017	RELAY AUTOMOTIVE CB1AH-24V 70A	67	S
3.499.0137	FUSE-WIRE 30A	73	S
3.499.0135	STRIP FUSE 60A	74	S
3.499.0030	STRIP FUSE 80A	75	S
3.405.0045	TERMINAL BOARD MEC584 70-45	76	
4.515.0003	ELECTRONIC BOARD	77	S
5.511.1524	COMPLETE CHOPPER BOARD FOR KF71B	80	
3.499.0141	KRUGER CONNECTOR F.	91	





KRÜGER TECHNOLOGY S.L.
B-82526583
Polígono Agustinos C/G Parcela B2
31013 Pamplona (Navarra) - ESPAÑA
+34 948 343 393 - info@kruger.es - www.kruger.es