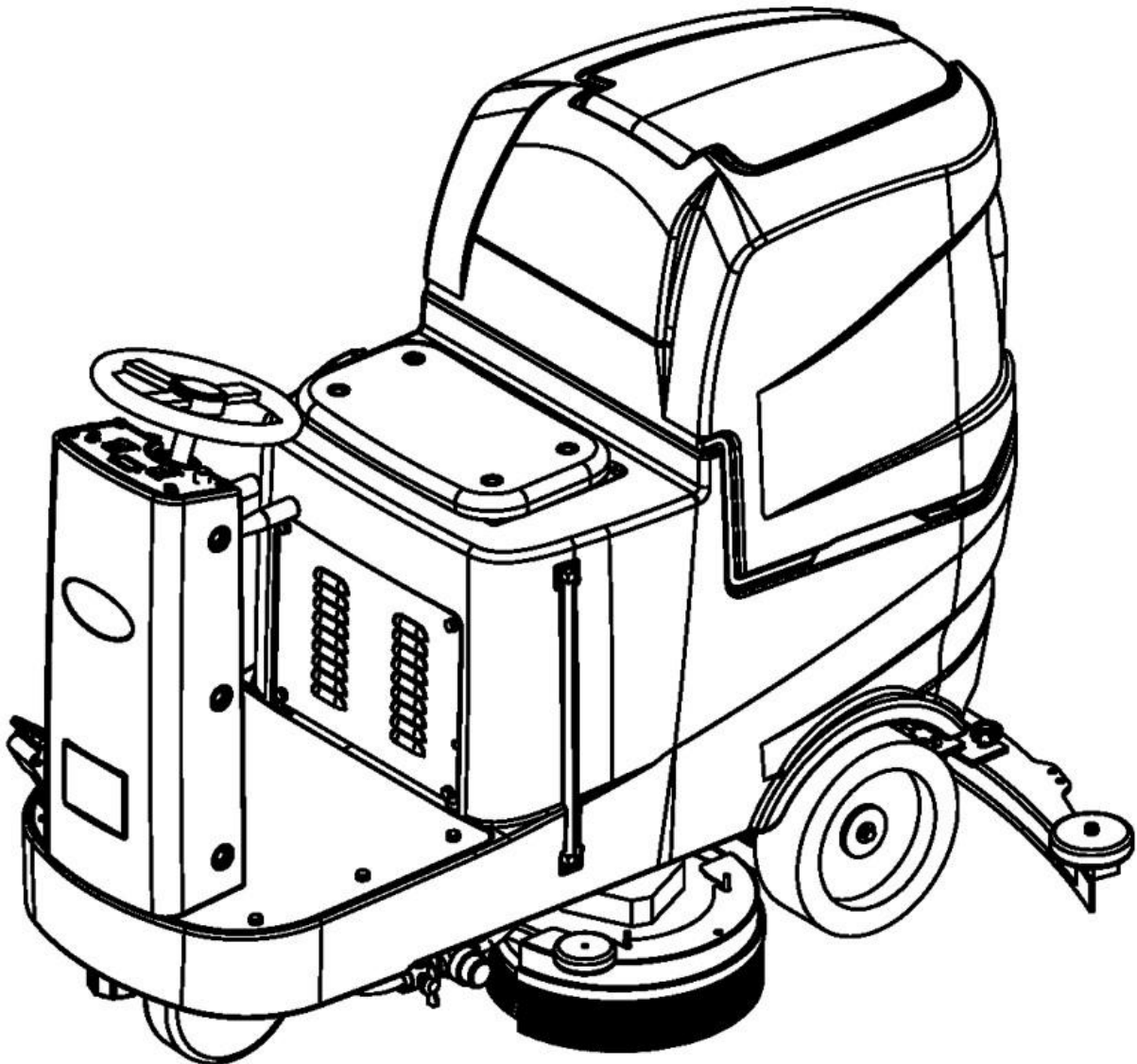


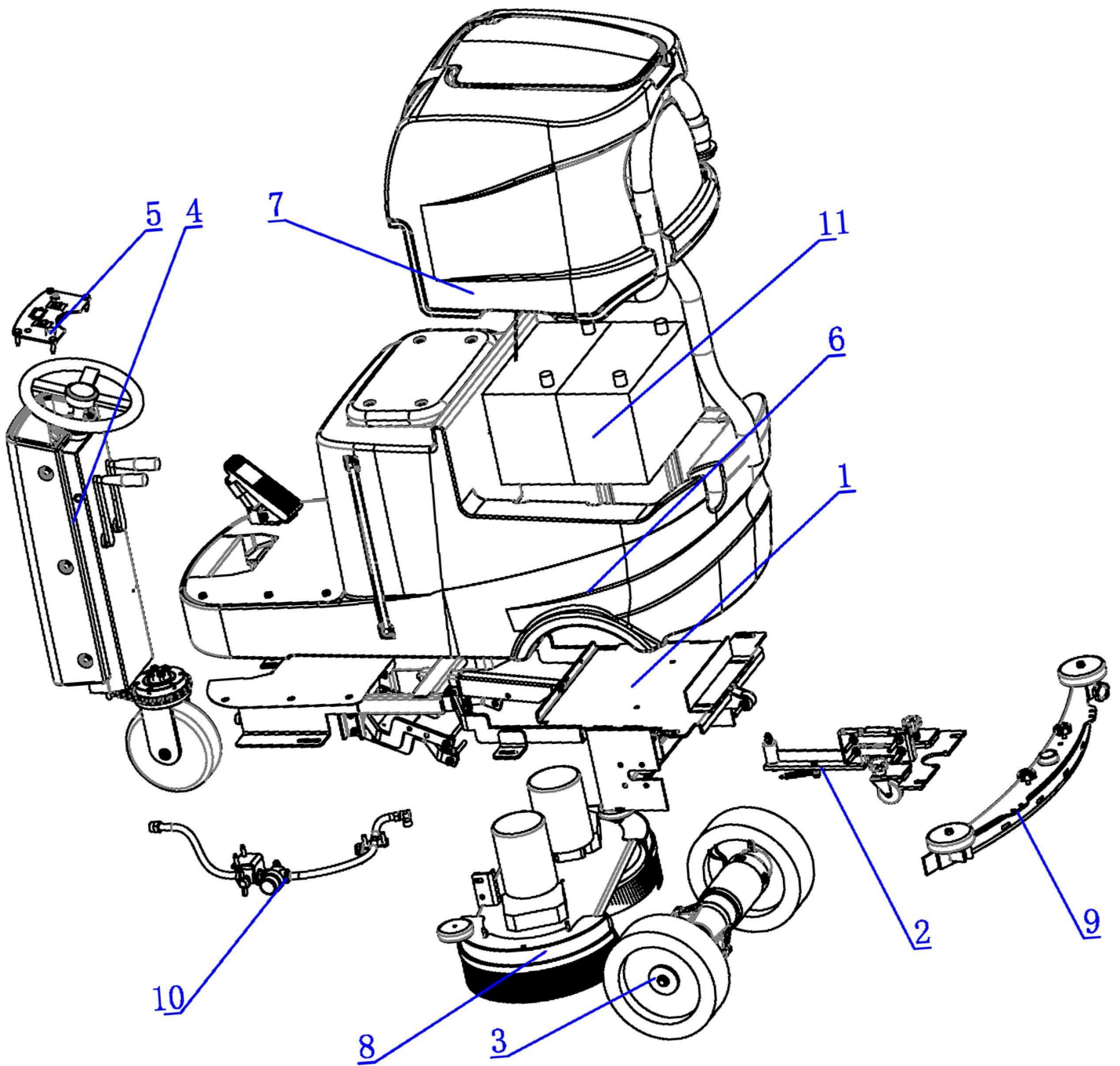
# **-SCHEMATIC DRAWINGS- KF6685BC**

Ride-on Scrubber Dryer



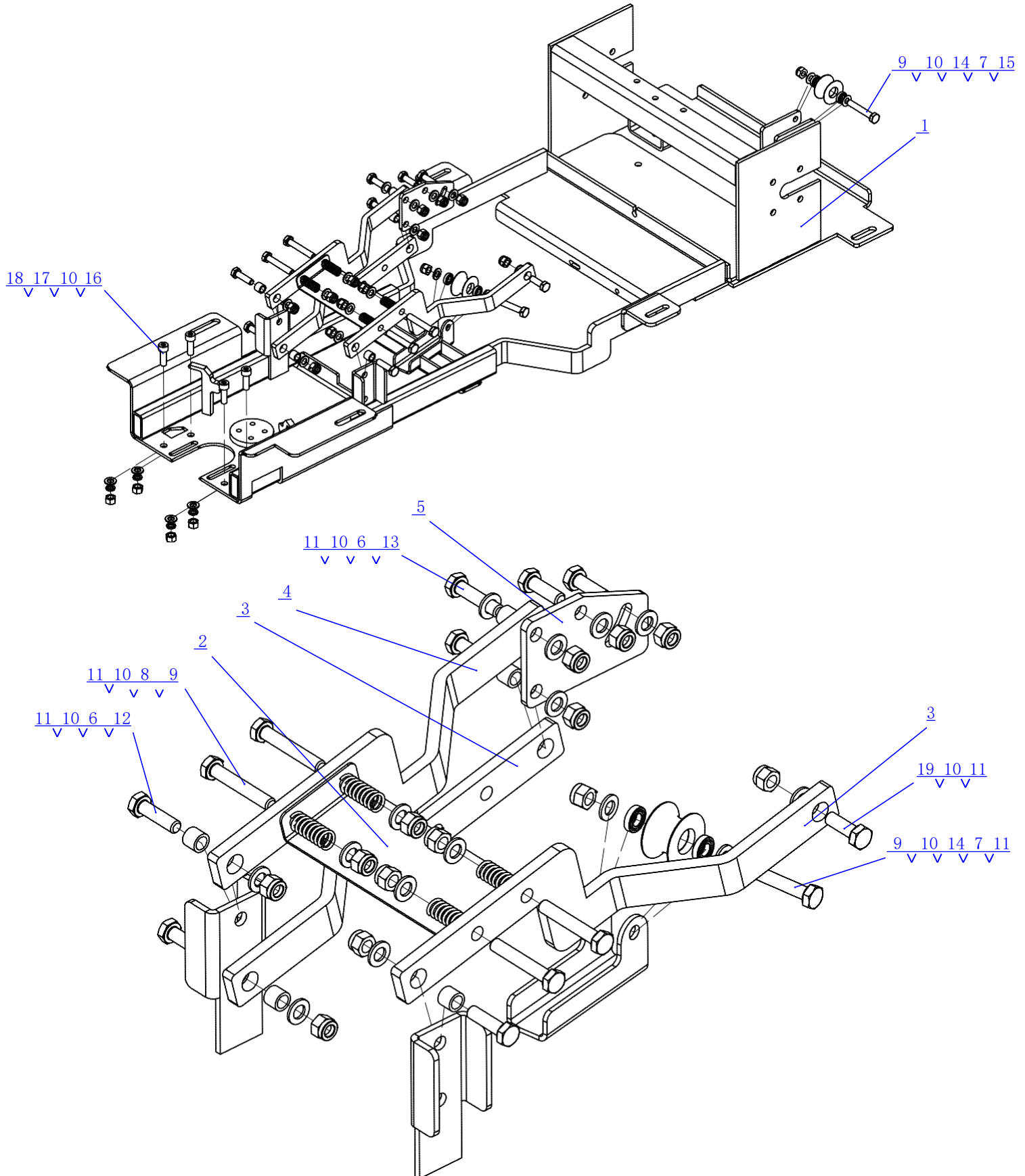
# Content

1. FRAME ASSEMBLY . . . . .	5
2. SUPPORT FRAME ASSEMBLY . . . . .	7
3. DRIVER . . . . .	8
4. STEERING ASSEMBLY . . . . .	9
5. CONTROL PANEL . . . . .	12
6. SOLUTION TANK ASSEMBLY . . . . .	13
7. RECOVERY TANK ASSEMBLY . . . . .	16
8. NOSE ASSEMBLY . . . . .	18
9. SQUEEGEE ASSEMBLY . . . . .	19
10. WATER ASSEMBLY . . . . .	21



1	A020158		FRAME ASSEMBLY A7	1
2	A020159		SQUEEGEE CONTROL ASSEMBLY A7	1
3	A020160		DRIVE WHEEL ASSEMBLY A7	1
4	A020161		STEERING ASSEMBLY A7	1
5	A020162		CONTROL PANEL ASSEMBLY A7	1
6	A020163		SOLUTION TANK ASSEMBLY A7	1
7	A020164		RECOVERY TANK ASSEMBLY A7	1
8	A020165		BRUSHES BASE ASSEMBLY A7	1
9	A020107		SQUEEGEE ASSEMBLY A5	1
10	A020166		WATER UNIT A7	1
11	E010114		TIANNENG BATTERY 12V 100AH	2

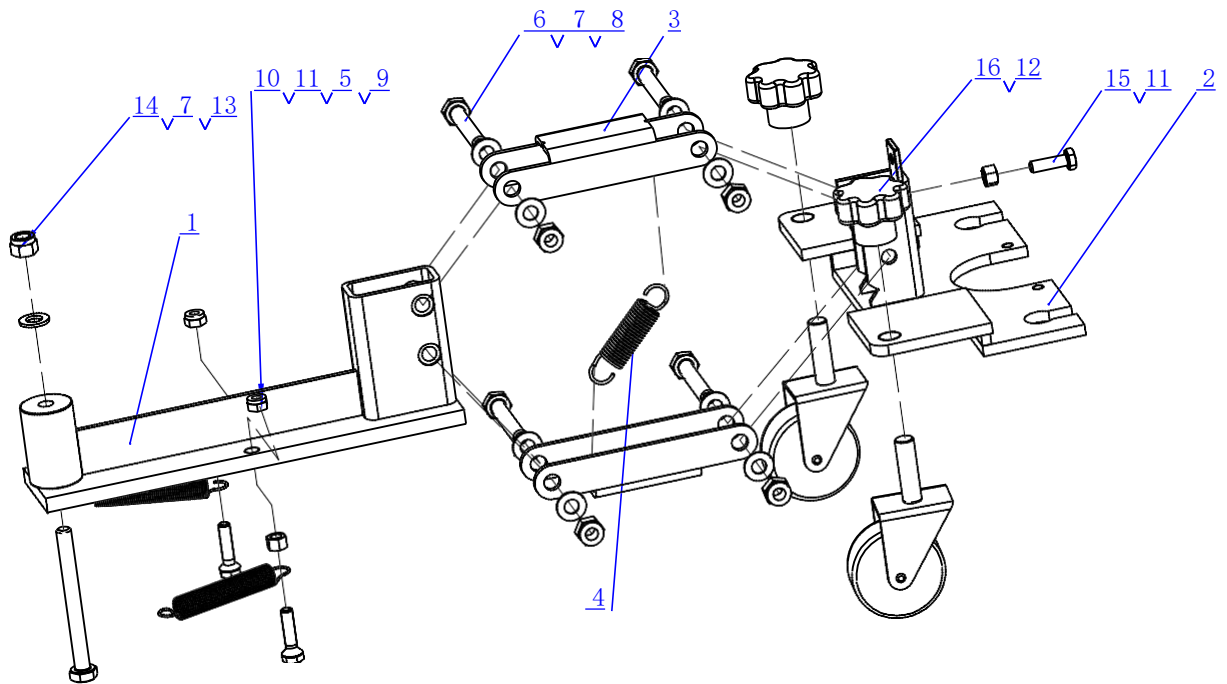
FRAME ASSEMBLY



## 1. FRAME ASSEMBLY

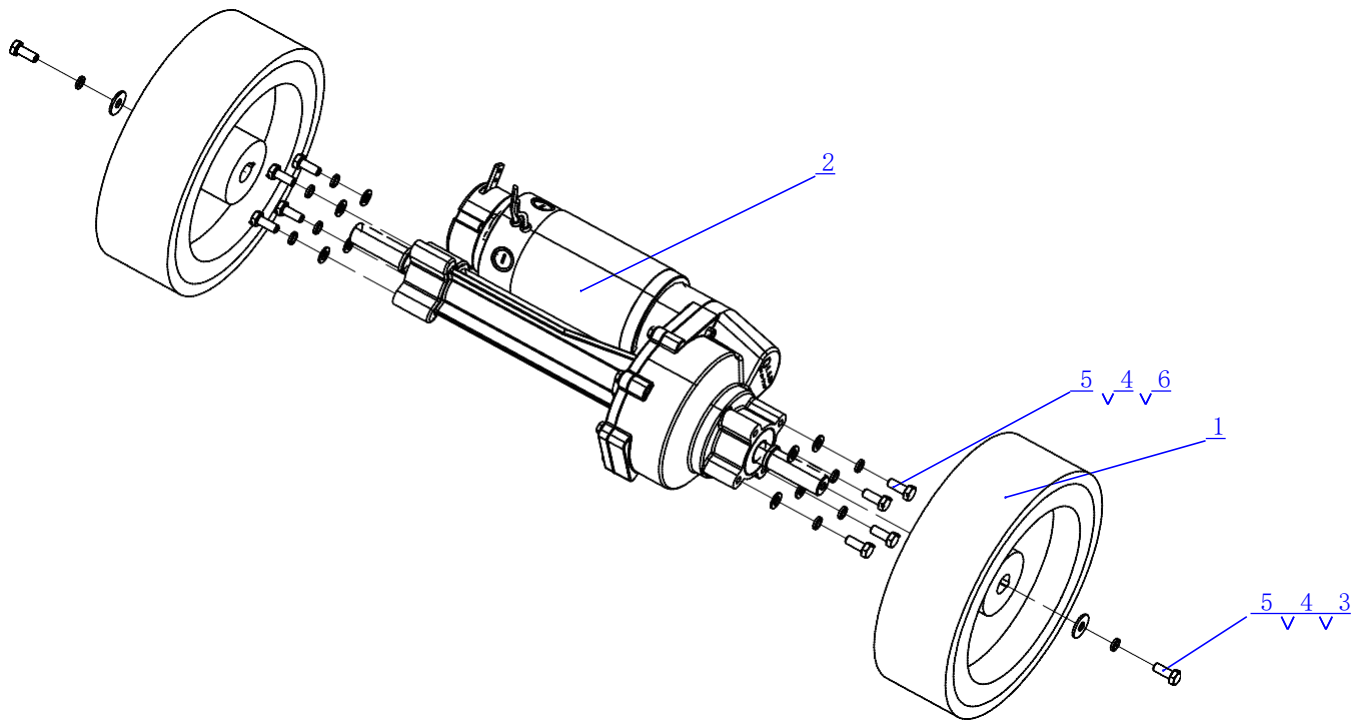
1	H010237		chassis	1
2	H010244		Head Buffer Plate	1
3	H010245		Head connecting rod 2	2
4	H010246		Head connecting rod 1	1
5	H010247		Head adjusting plate	1
6	M010165		BUSHING $\Phi 8.5 \times \Phi 12 \times 10$	5
7	M010114		PULLEY $\Phi 35 \times 20$	2
8	M010160		Ground Spring	4
9	N010116		SCREW M8*50 A2	6
10	N010126		Flat mat $\Phi 8 \times \Phi 16 \times 1$ stainless steel	22
11	N010130		Self-locking nut M8 stainless steel	13
12	N010134		SCREW M8*30 A2	3
13	N010194		SCREW M8*35 A2	2
14	N010155		688 ZZ BEARING	4
15	N010130		LOCK NUT M8 A2	1
16	N010115		SCREW M8*25 A2	4
17	N010121		$\Phi 8$ stainless steel spring washers	4
18	N010157		NUT M8 A2	4
19	N010133		SCREW M8*25 A2	3

## 2. SUPPORT FRAME ASSEMBLY



1	H010169		Pickpocket upper bracket A9	1
2	H010167		The lower bracket A9 of the pickpocket	1
3	H010168		LINK122*33*25	2
4	N010284		Earth pressure spring	1
5	N010283		Reset spring	2
6	N010116		SCREW M8*50 A2	4
7	N010126		WASHER $\Phi 8 \times \Phi 16 \times 1$	9
8	N010130		LOCK NUT M8 A2	4
9	N010183		SCREW M6*25 A2	2
10	N010129		LOCK NUT M6 A2	2
11	N010146		NUT M6 A2	3
12	P010118		UNIVERSAL WHEEL M10	2
13	N010298		SCREW M8*80 A2	1
14	N010130		Self-locking nut M8 stainless steel	1
15	N010118		SCREW M6*20 A2	1
16	P010125		FLOWER NUT M10	2

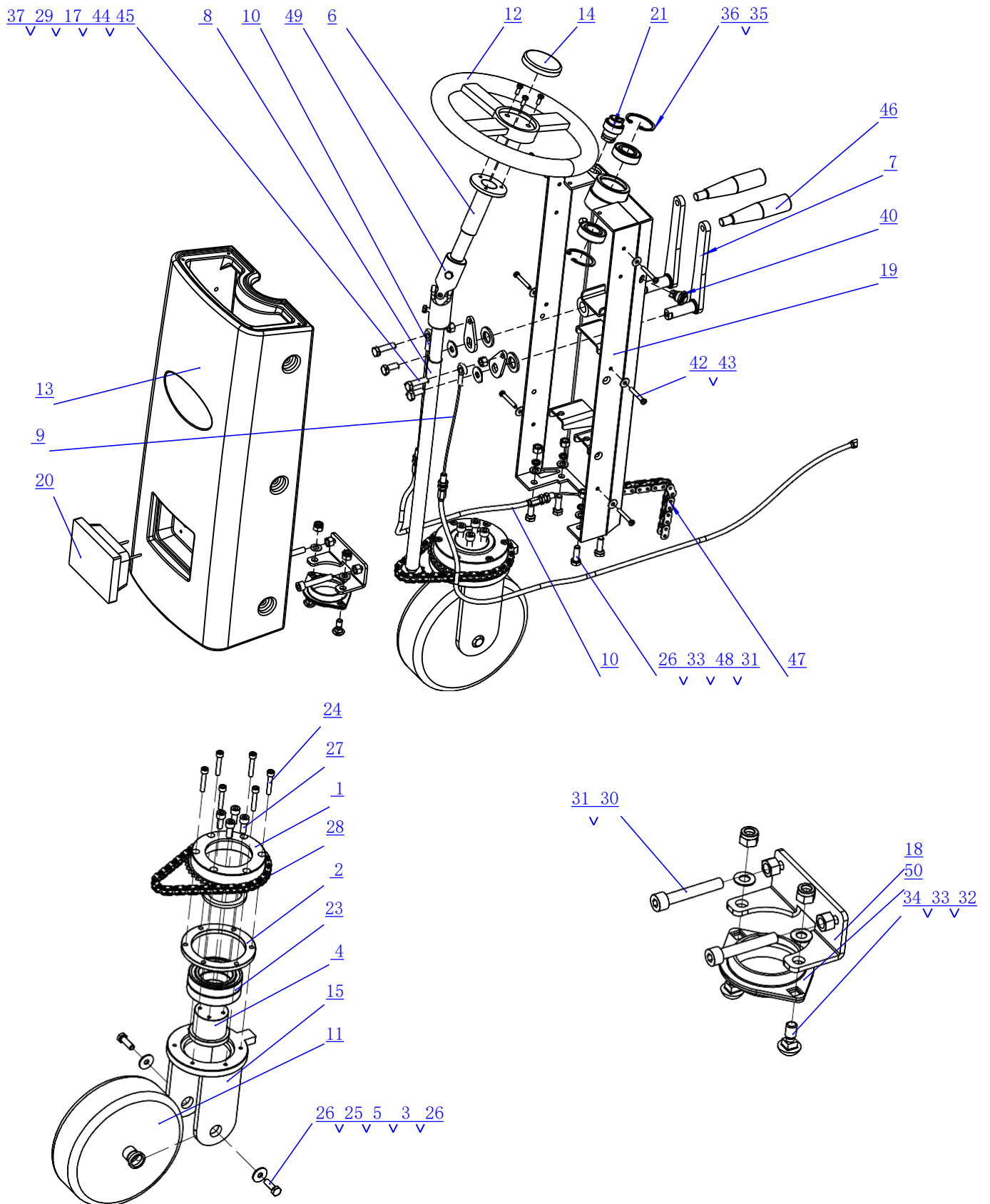
### 3. DRIVER



1	P010157		Driving wheel 256x80	2
2	E010172		DRIVING MOTOR 24V 500W	1
3	N010235		Flat mat $\Phi$ 8 x $\Phi$ 32 x3	2
4	N010121		$\Phi$ 8 stainless steel spring washers	10
5	N010132		SCREW M8*20 A2	10
6	N010126		Flat mat $\Phi$ 8 x $\Phi$ 16 x stainless steel	8



## 4. STEERING ASSEMBLY



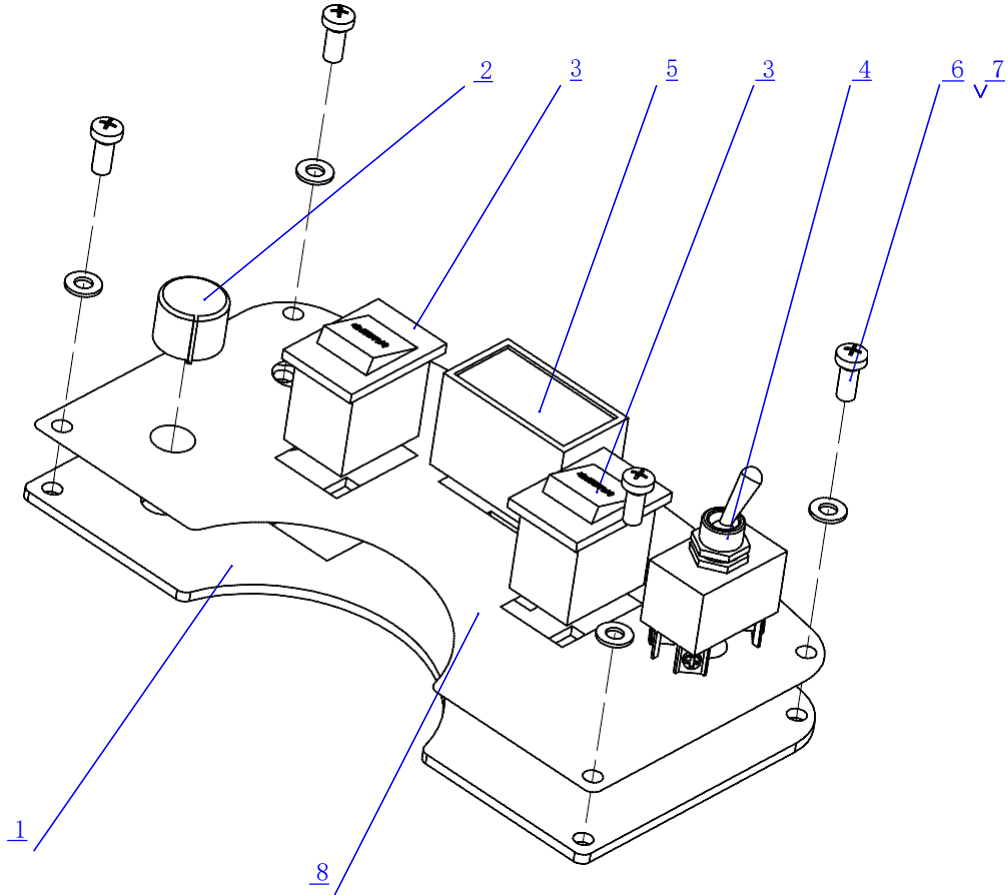
#### 4. STEERING ASSEMBLY

1	M010156		Large sprocket	1
2	M010157		BEARINGS FLANGE	1
3	M010159		Front axle	1
4	M010169		Front axle sleeve	1
5	M010158		Front wheel sleeve	2
6	M010162		Forward steering axle	1
7	M010163		Adjusting handle	2
8	M010155		BEARING BLOCK	1
9	M010170		ROPE	1
10	M010171		ROPE1	1
11	P010229		Driving wheel 200x50	1
12	P010227		Steering wheel $\Phi$ 265	1
13	P010219		Steering housing	1
14	P010228		The steering wheel cover	1
15	H010250		Front fork	1
16	H010251		WASHER	1
17	H010258		Rocker connecting plate	2
18	H010254		SUPPORT	1
19	H010253		STEERING SUPPORT A7	1
20	E010141		LIGHT 18W	1
21	E010101		Key switch	1
22	E010156		The horn switch	1
23	N010196		6010 bearing	2
24	N010288		SCREW M6*35 A2	6
25	N010127		WASHER $\Phi$ 8* $\Phi$ 24*2	2
26	N010133		SCREW M8*25 A2	6
27	N010114		SCREW M8*20 A2	4
28	N010304		Section 06B 50	1

#### 4. STEERING ASSEMBLY

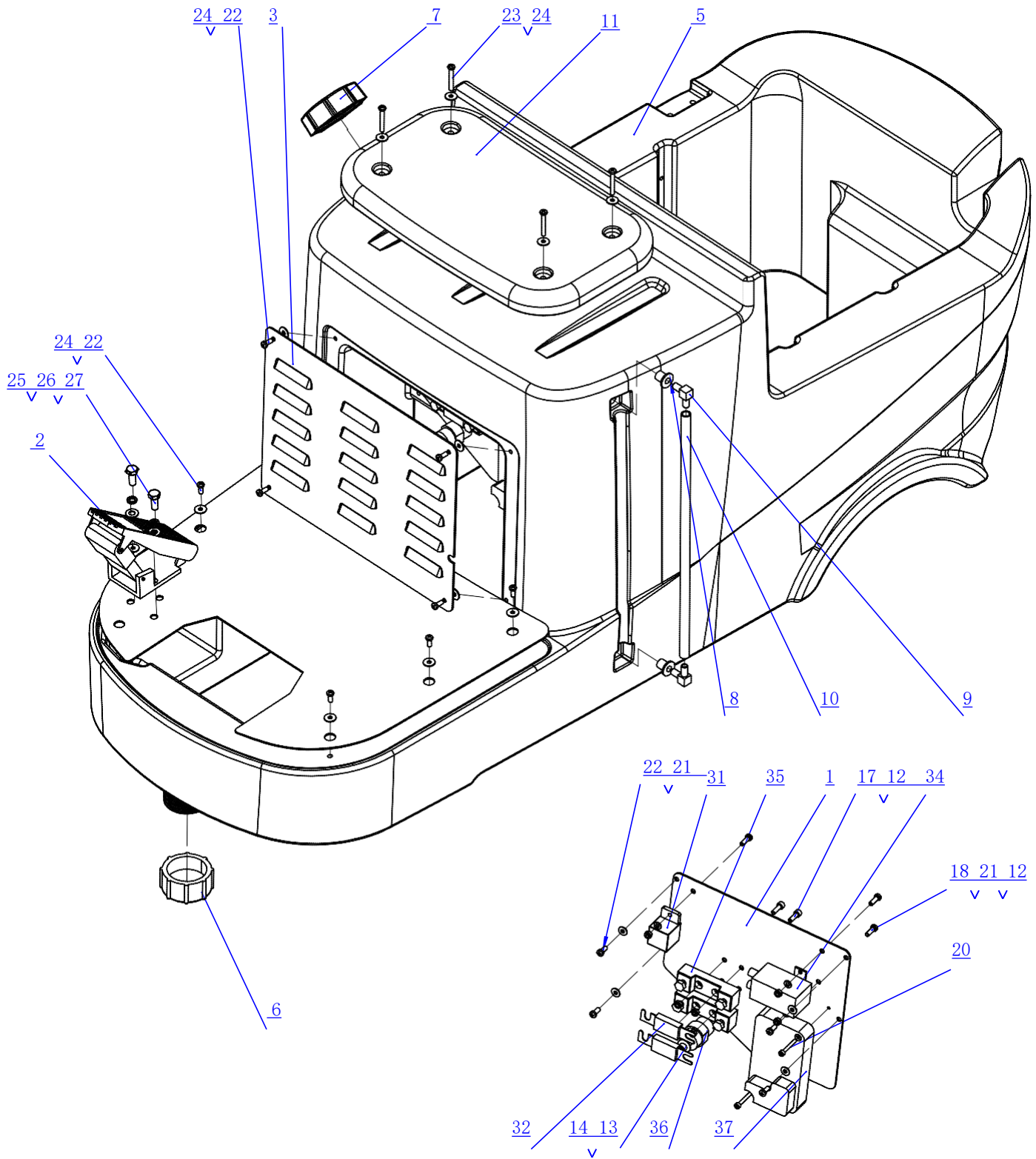
29	N010166		Flat cushion M16x30x3 stainless	2
30	N010143		SCREW M8*50 A2	2
31	N010157		NUT M8 A2	6
32	N010130		Self-locking nut M8 stainless steel	2
33	N010126		WASHER $\Phi 8*\Phi 16*1$	6
34	N010211		SQUARE NECK BOLT M8x20 A2	2
35	N010261		6004 bearing	2
36	N010262		42-hole clip spring	2
37	N010235		Flat mat $\Phi 8 \times \Phi 32 \times 3$	2
38	N010132		SCREW M8*20 A2	2
39	N010141		SCREW M6*12 A2	2
40	E010169		Headlight switch	1
41	N010136		SCREW M5*12 A2	3
42	N010218		SCREW M5*35 A2	6
43	N010123		WASHER $\Phi 5*\Phi 15*1$	6
44	N010157		NUT M8 A2	2
45	N010134		SCREW M8*30 A2	2
46	N010184		Turn the handle	2
47	N010310		CHAIN 08A	1
48	N010121		$\Phi 8$ stainless steel spring washers	4
49	N010230		Universal Joint 18x30x80	1
50	N010209		SBPFL 205 BEARING BLOCK	1

## 5. CONTROL PANEL



1	H010261		Display panel	1
2	E010129		SPEED KNOB	1
3	E010102		ROCKER SWITCH 16A	2
4	E010135		SWITCH	1
5	E010103		BATTERY INDICATION 24V	1
6	N010136		SCREW M5*12 A2	4
7	N010122		WASHER $\Phi 5 * \Phi 10 * 1$	4
8	K010109			1

## 6. SOLUTION TANK ASSEMBLY



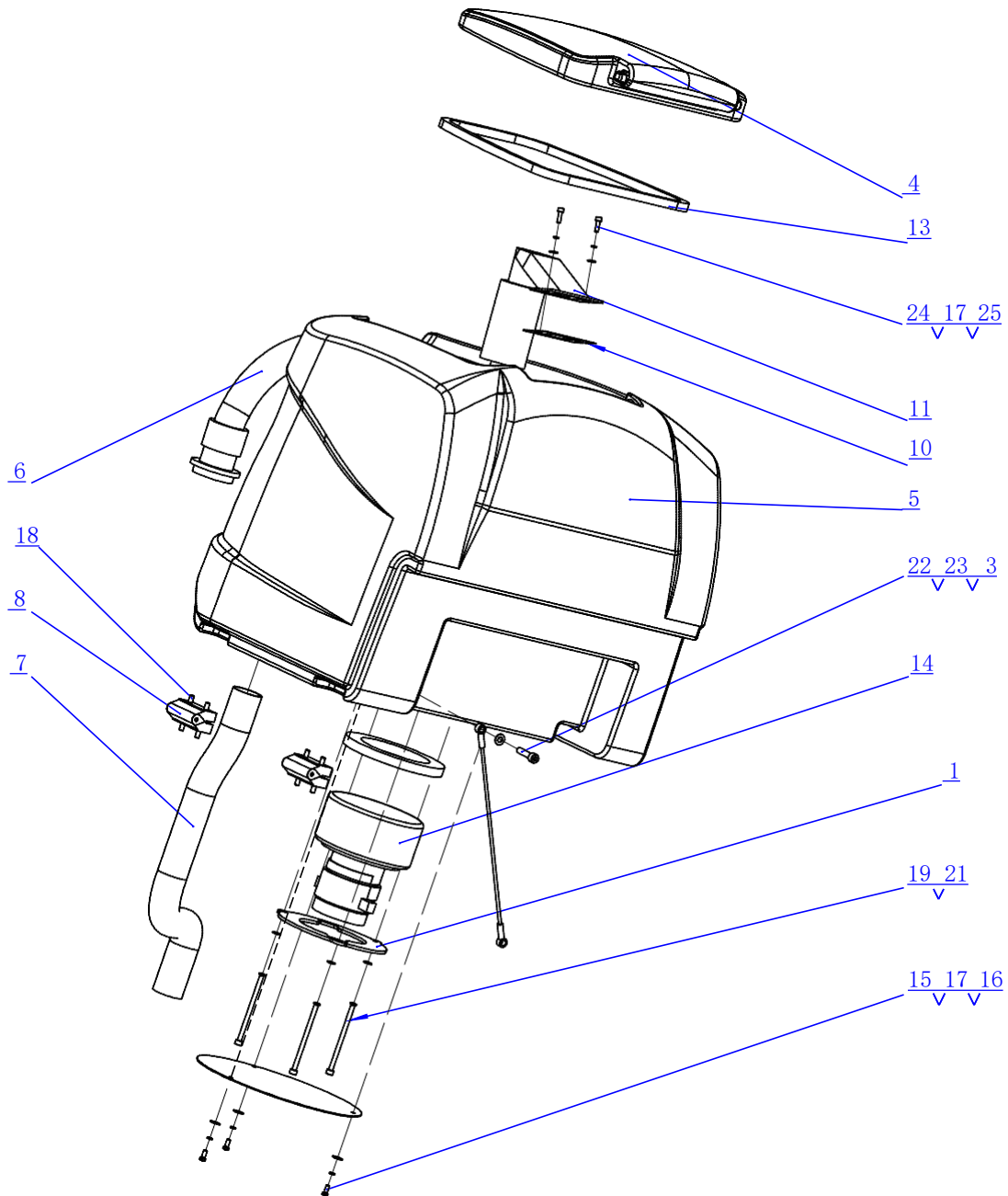
## 6. SOLUTION TANK ASSEMBLY

1	H010262		PLATE A7	1
2	E010147		Pedal accelerator	1
3	H010111		Electrical cabin cover	1
4	H010249		Pedal	1
5	P010230		SOLUTION TANK A7	1
6	P010136		Outlet cover M50	1
7	P010158		THREADED COVER	1
8	P020148		Silica gel plug	2
9	P010159		ELBOW	2
10	P010160		Liquid level indicator tube	1
11	P010150		SEAT 390*230	1
12	N010128		LOCK NUT M5 A2	7
13	N010112		SCREW M6*16 A2	2
14	N010182		WASHER $\Phi 6*\Phi 18*1$	1
15	N010120		LOCK WASHER M6 A2	1
16	N010146		NUT M6 A2	1
17	N010110		SCREW M5*16 A2	4
18	N010156		SCREW M5X16 A2	3
19	N010122		WASHER $\Phi 5*\Phi 10*1$	3
20	N010151		SCREW M4*30 A2	2
21	N010153		WASHER $\Phi 5*\Phi 12*1$	4
22	N010136		SCREW M5*12 A2	14
23	N010218		SCREW M5*35 A2	4

## 6. SOLUTION TANK ASSEMBLY

24	N010123		WASHER $\Phi 5*\Phi 15*1$	14
25	N010126		WASHER $\Phi 8*\Phi 16*1$	3
26	N010121		LOCK WASHER M8 A2	8
27	N010132		SCREW M8*20 A2	8
28	N010127		WASHER $\Phi 8*\Phi 24*2$	6
29	N010130		LOCK NUT M8 A2	2
30	N010191		SCREW M8*35 A2	1
31	E010106		RELAY 24V 80A	1
32	E010108		MOTOR FUSE 50A	1
33	E010107		MOTOR FUSE 30A	1
34	E010105		DC CONTACTOR 24V 100A	1
35	E010109		FUSE SUPPORT 800A	2
36	E010116		CATHODE INSULATING COLUMN	1
37	E010206		DRIVING CONTROLLER T5	1

## 7. RECOVERY TANK ASSEMBLY

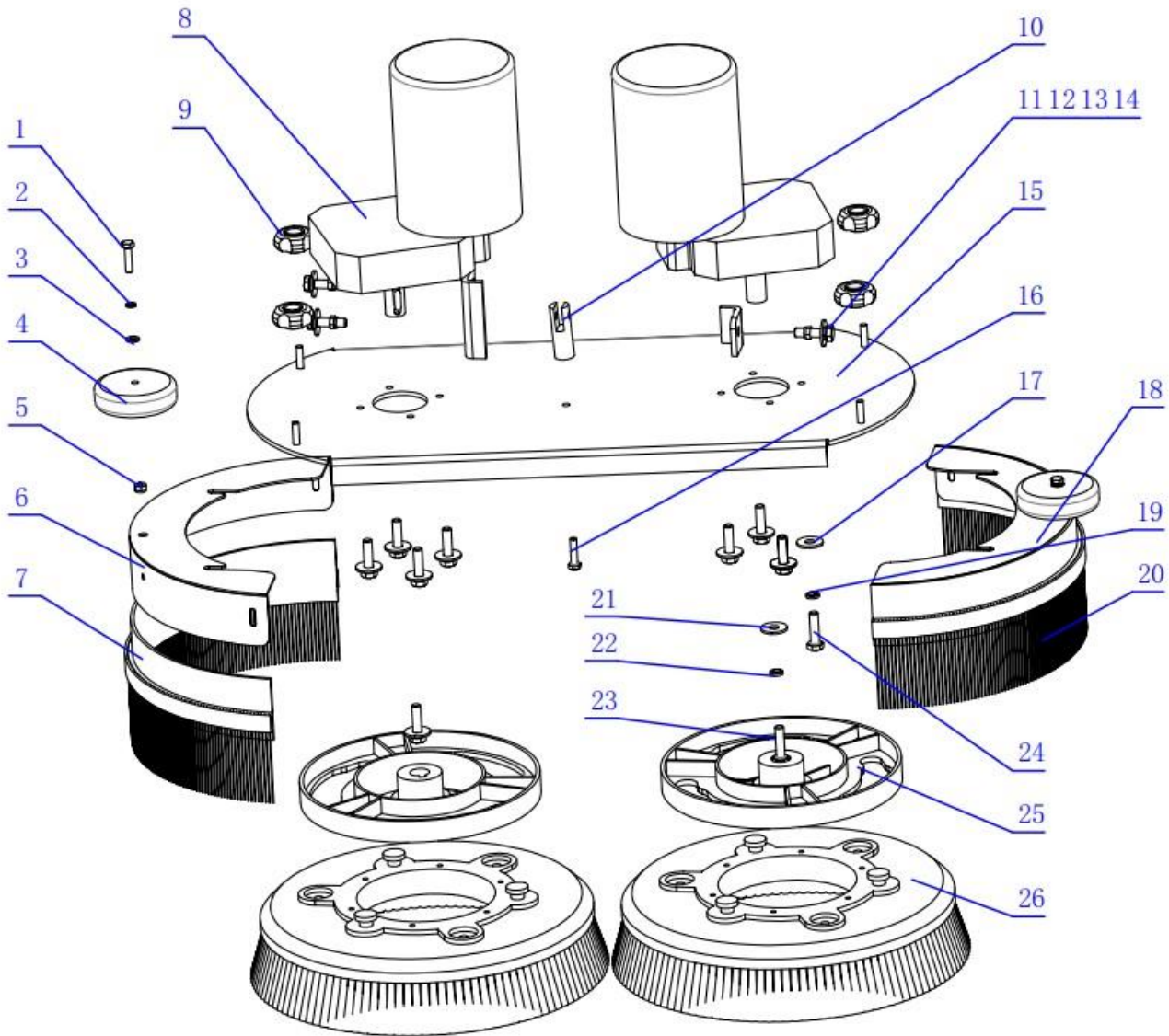




## 7. RECOVERY TANK ASSEMBLY

1	H010108		MOTOR FLANGE $\varnothing$ 164	1
2	H010252		Absorbent motor cover	1
3	M010108		ROPE L=350	1
4	P010103		COVER	1
5	P010221		RECOVERY TANK A7	1
6	P010225		Drainage pipe D38X930	1
7	P010152		Soak pipe	1
8	P010122		HINGE	2
9	P020105g		EVA FOAMED COTTON $\Phi$ 150* $\Phi$ 105*13	1
10	P020104		SUCTION GASKET	1
11	P010106		SUCTION BODY	1
12	P010107		SUCTION BODY	1
13	P020103		GASKET 1110	1
14	E010112		SUCTION MOTOR 24V 500W 2 STAGE	1
15	N010136		SCREW M5*12 A2	3
16	N010123		WASHER $\Phi$ 5* $\Phi$ 15*1	3
17	N010119		LOCK WASHER M5 A2	5
18	N010138		SCREW M6*25 A2	8
19	N010117		SCREW M6*100 A2	3
20	N010120		LOCK WASHER M6 A2	3
21	N010125		WASHER $\Phi$ 6* $\Phi$ 12*1	3
22	N010191		SCREW M8*35 A2	1
23	N010126		WASHER $\Phi$ 8* $\Phi$ 16*1	1
24	N010110		SCREW M5*16 A2	2
25	N010153		WASHER $\Phi$ 5* $\Phi$ 12*1	2

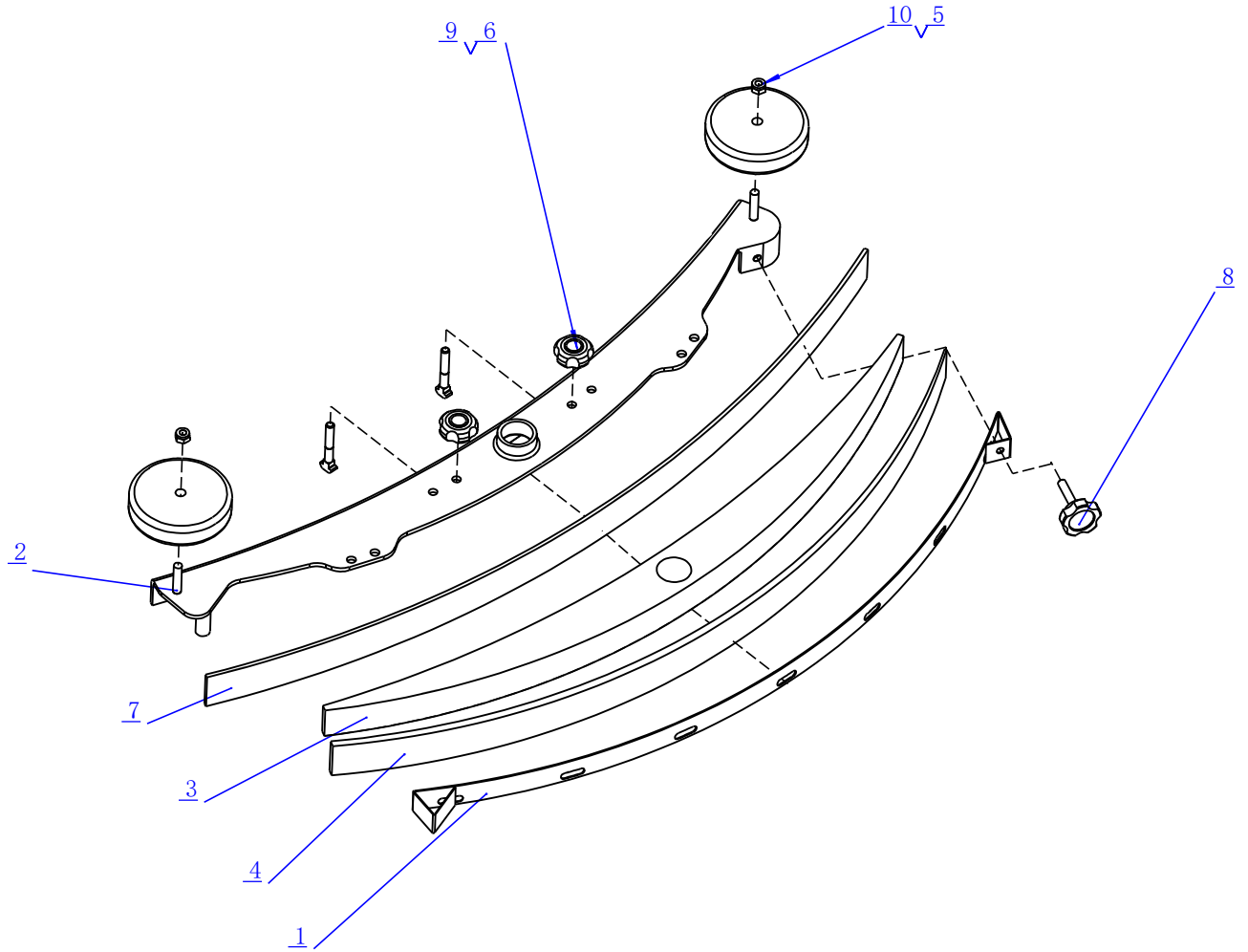
## 8. NOSE ASSEMBLY



## 8. NOSE ASSEMBLY

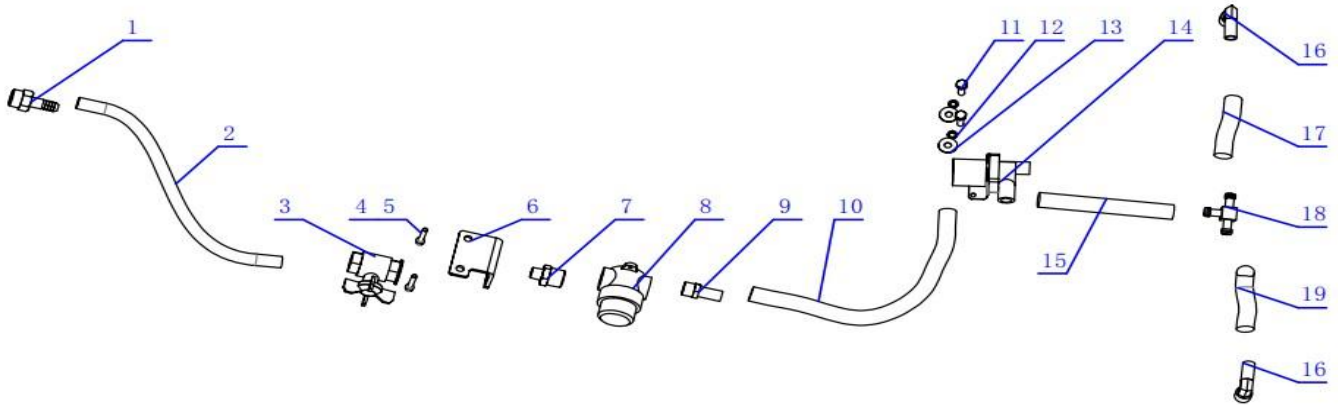
1	N010288		SCREW M6*35 A2	2
2	N010120		LOCK WASHER M6 A2	2
3	N010125		WASHER $\Phi 6 * \Phi 12 * 1$	2
4	P010112		WHEEL $\Phi 100 * 20$	2
5	N010129		LOCK NUT M6 A2	2
6	H010267-1		Left nose shield	1
7	P010240		Nose side brush	1
8	E010111		Brush disc motor 24V 380W	2
9	P010114		KNOB M8	4
10	N010172		CONNECTOR TYPE I M6	1
11	N010132		SCREW M8*20 A2	3
12	N010130		Self-locking nut M8 stainless steel	3
13	N010127		WASHER $\Phi 8 * \Phi 24 * 2$	3
14	N010130		LOCK NUT M8 A2	3
15	H010268		Brush disc fixing plate	1
16	N010141		SCREW M6*12 A2	8
17	N010125		WASHER $\Phi 6 * \Phi 12 * 1$	8
18	H010267-1		right nose shield	1
19	N010118		SCREW M6*20 A2s	8
20	P010240		Nose side brush	1
21	N010120		LOCK WASHER M6 A2	22
22	N010127		WASHER $\Phi 8 * \Phi 24 * 2$	2
23	N010121		LOCK WASHER M8 A2	2
24	N010118		SCREW M6*20 A2	2
25	M020101		BRUSH PLATE $\Phi 150 * \Phi 18$	2
26	P010255		BRUSH 13''	2

## 9. SQUEEGEE ASSEMBLY



1	H010188		STAINLESS STEEL STRIP	1
2	M020104		SQUEEGEE BODY A7	1
3	P020116		MENISCUS	1
4	P020150		REAR BLADE 960*56*4	1
5	P010112		WHEEL $\Phi$ 100*20	2
6	P010114		KNOB M8	2
7	P020151		FRONT BLADE 990*64*4.76	1
8	N010150		SCREW M8	1
9	N010282		One - word screw M8x60	2
10	N010130		LOCK NUT M8 A2	2

## 10. WATER ASSEMBLY



1	N010223		CONNECTOR 1/2 D=12 d=10	1
2	P020170		SUPPORT 69*12*2	1
3	N010101		Ball valve	1
4	N010156		SCREW M5X16 A2	1
5	N010123		WASHER $\Phi 5*\Phi 15*1$	1
6	H010119		VALVE SUPPORT 62*65*44	1
7	N010279		NIPPLE 3/8-1/2	1
8	P010119		FILTER 3/8	1
9	N010101		Ball valve	1
10	P020171		The silicone tube	1
11	N010135		SCREW M4*12 A2	2
12	N010277		WASHER $\Phi 4*\Phi 8*1$	2
13	N010119		LOCK WASHER M5 A2	2
14	E010110		Solenoid valve 24 v	2
15	N010135		The silicone tube	1
16	N010105		ELBOW 3/8-17	2
17	P020172		The silicone tube	1
18	N010171		T-FITTING D=17 d=13	1
19	P020174		The silicone tube	1



KRÜGER TECHNOLOGY S.L.  
Polígono Agustinos C/G Parcela B2  
31013 Pamplona (Navarra) - ESPAÑA  
+34 948 343 393 - [info@kruger.es](mailto:info@kruger.es) - [www.kruger.es](http://www.kruger.es)