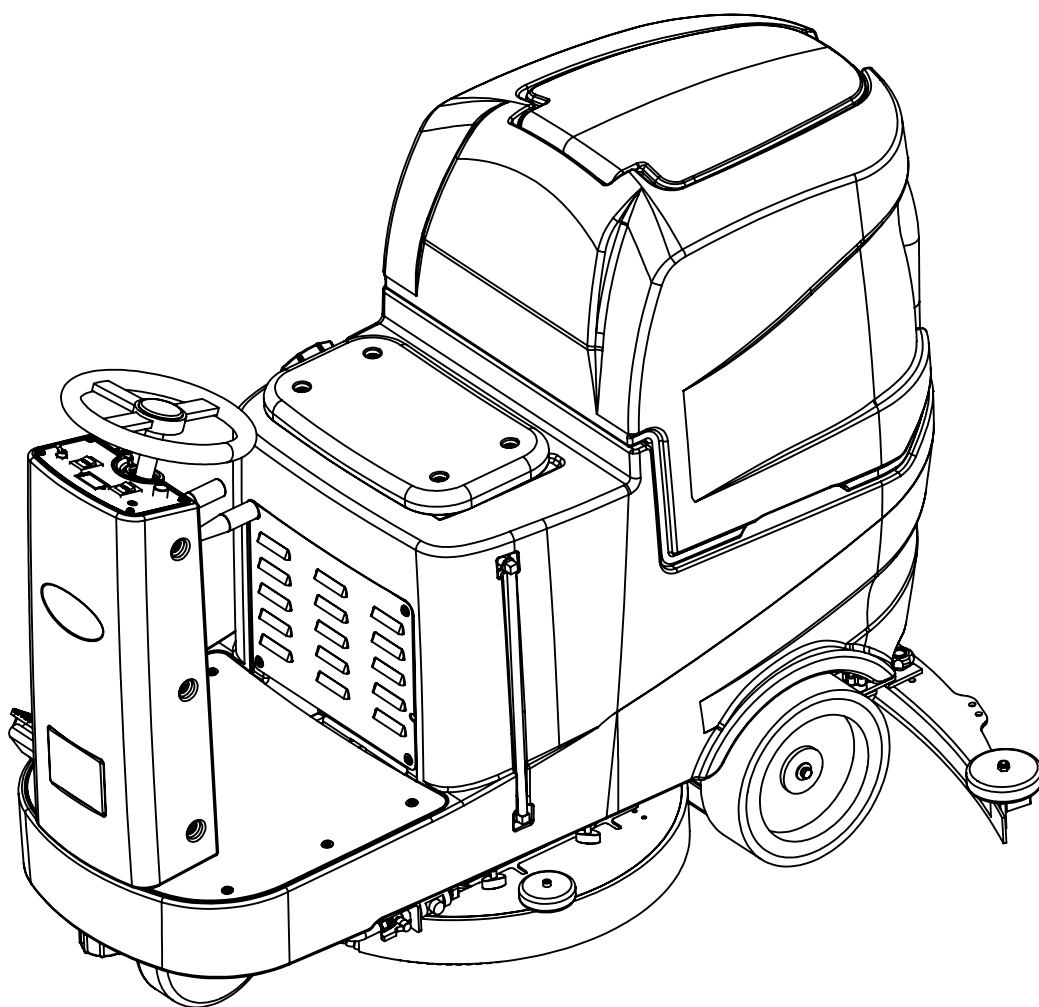
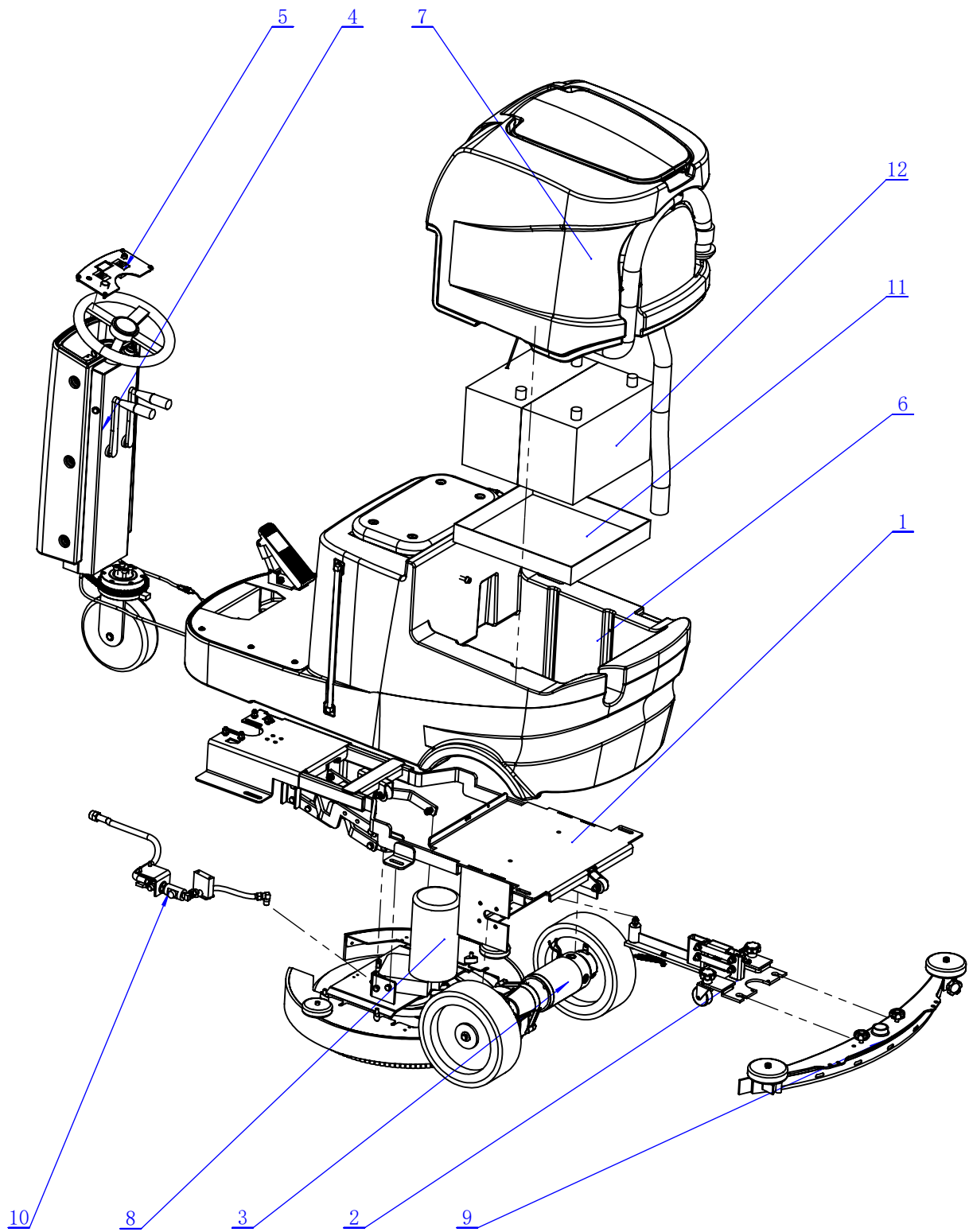


# -SCHEMATIC DRAWINGS- KF5685BC



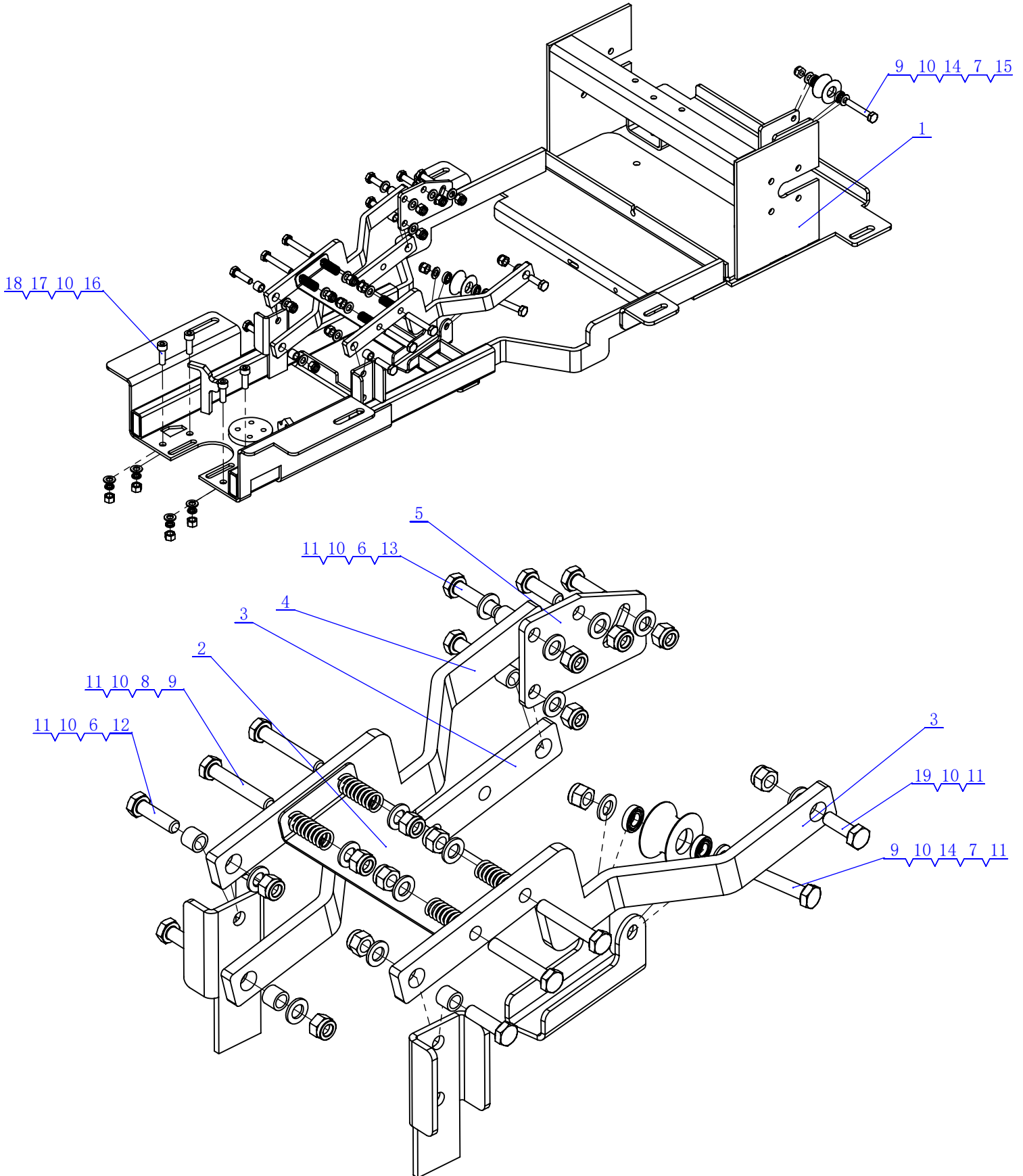
# Content

1. FRAME ASSEMBLY .....	5
2. SUPPORT FRAME ASSEMBLY .....	7
3. DRIVER .....	8
4. STEERING ASSEMBLY .....	9
5. CONTROL PANEL .....	12
6. SOLUTION TANK ASSEMBLY .....	13
7. RECOVERY TANK ASSEMBLY .....	16
8. NOSE ASSEMBLY .....	18
9. SQUEEGEE ASSEMBLY .....	19
10. WATER ASSEMBLY .....	21



1	A020158		FRAME ASSEMBLY A7	1
2	A020159		SQUEEGEE CONTROL ASSEMBLY A7	1
3	A020160		DRIVE WHEEL ASSEMBLY A7	1
4	A020161		STEERING ASSEMBLY A7	1
5	A020162		CONTROL PANEL ASSEMBLY A7	1
6	A020163		SOLUTION TANK ASSEMBLY A7	1
7	A020164		RECOVERY TANK ASSEMBLY A7	1
8	A020165		BRUSHES BASE ASSEMBLY A7	1
9	A020107		SQUEEGEE ASSEMBLY A5	1
10	A020166		WATER UNIT A7	1
11	P010223		Battery box bottom	1
12	E010194		Tianneng 6V 200AH Battery	2

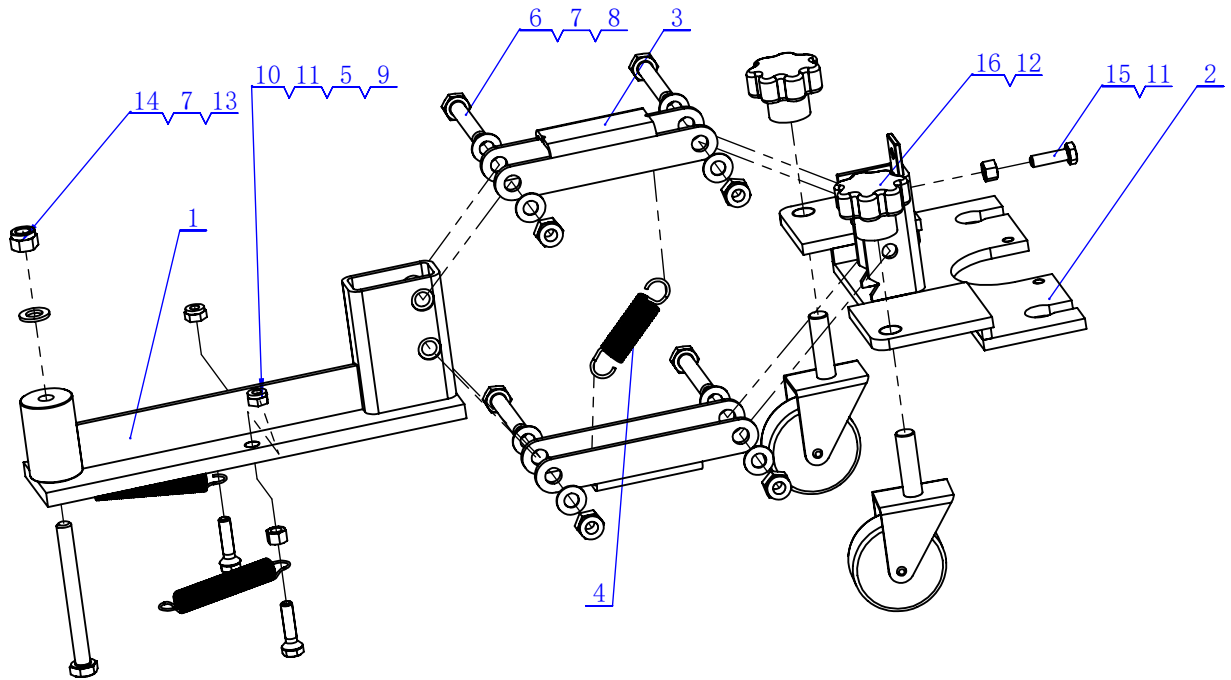
# 1.FRAME ASSEMBLY



## 1.FRAME ASSEMBLY

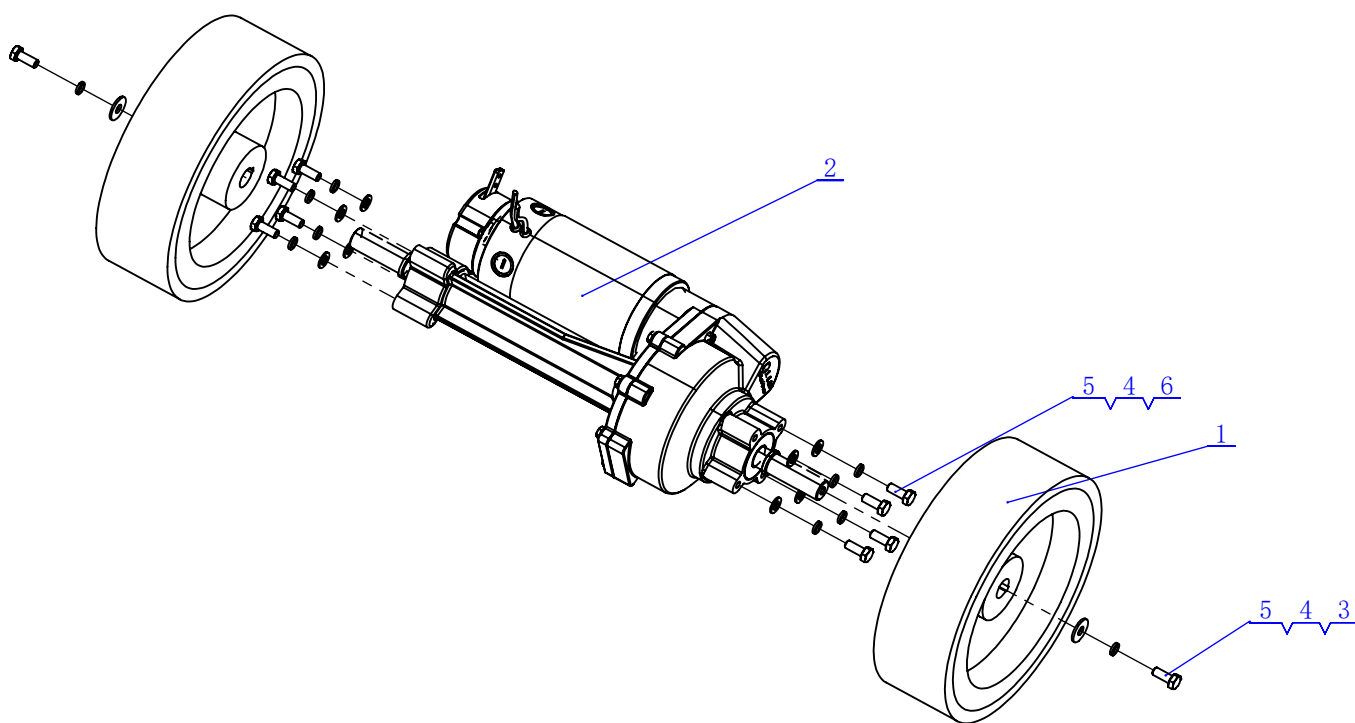
1	H010237		chassis	1
2	H010244		Head Buffer Plate	1
3	H010245		Head connecting rod 2	2
4	H010246		Head connecting rod 1	1
5	H010247		Head adjusting plate	1
6	M010165		BUSHING $\Phi 8.5 \times \Phi 12 \times 10$	5
7	M010114		PULLEY $\Phi 35 \times 20$	2
8	M010160		Ground Spring	4
9	N010116		SCREW M8*50 A2	6
10	N010126		Flat mat $\Phi 8 \times \Phi 16 \times 1$ stainless steel	22
11	N010130		Self-locking nut M8 stainless steel	13
12	N010134		SCREW M8*30 A2	3
13	N010194		SCREW M8*35 A2	2
14	N010155		688 ZZ BEARING	4
15	N010130		LOCK NUT M8 A2	1
16	N010115		SCREW M8*25 A2	4
17	N010121		$\Phi 8$ stainless steel spring washers	4
18	N010157		NUT M8 A2	4
19	N010133		SCREW M8*25 A2	3

## 2.SUPPORT FRAME ASSEMBLY



1	H010169		Pickpocket upper bracket A9	1
2	H010167		The lower bracket A9 of the pickpocket	1
3	H010168		LINK122*33*25	2
4	N010284		Earth pressure spring	1
5	N010283		Reset spring	2
6	N010116		SCREW M8*50 A2	4
7	N010126		WASHER $\Phi 8*\Phi 16*1$	9
8	N010130		LOCK NUT M8 A2	4
9	N010183		SCREW M6*25 A2	2
10	N010129		LOCK NUT M6 A2	2
11	N010146		NUT M6 A2	3
12	P010118		UNIVERSAL WHEEL M10	2
13	N010298		SCREW M8*80 A2	1
14	N010130		Self-locking nut M8 stainless steel	1
15	N010118		SCREW M6*20 A2	1
16	P010125		FLOWER NUT M10	2

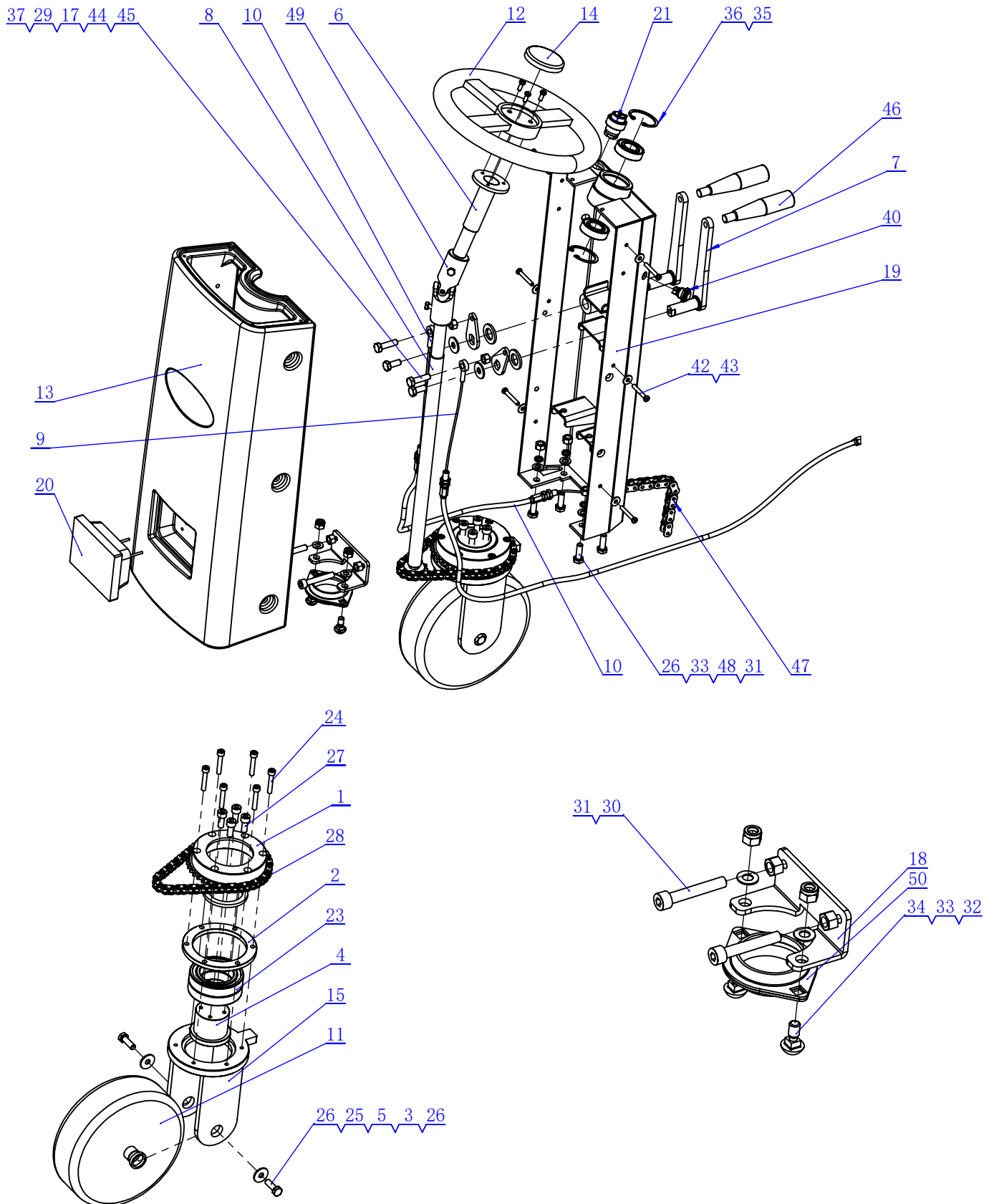
## DRIVER



1	P010157		Driving wheel 256x80	2
2	E010172		DRIVING MOTOR 24V 500W	1
3	N010235		Flat mat $\Phi$ 8 x $\Phi$ 32 x3	2
4	N010121		$\Phi$ 8 stainless steel spring washers	10
5	N010132		SCREW M8*20 A2	10
6	N010126		Flat mat $\Phi$ 8 x $\Phi$ 16 x1 stainless steel	8



## 4. STEERING ASSEMBLY



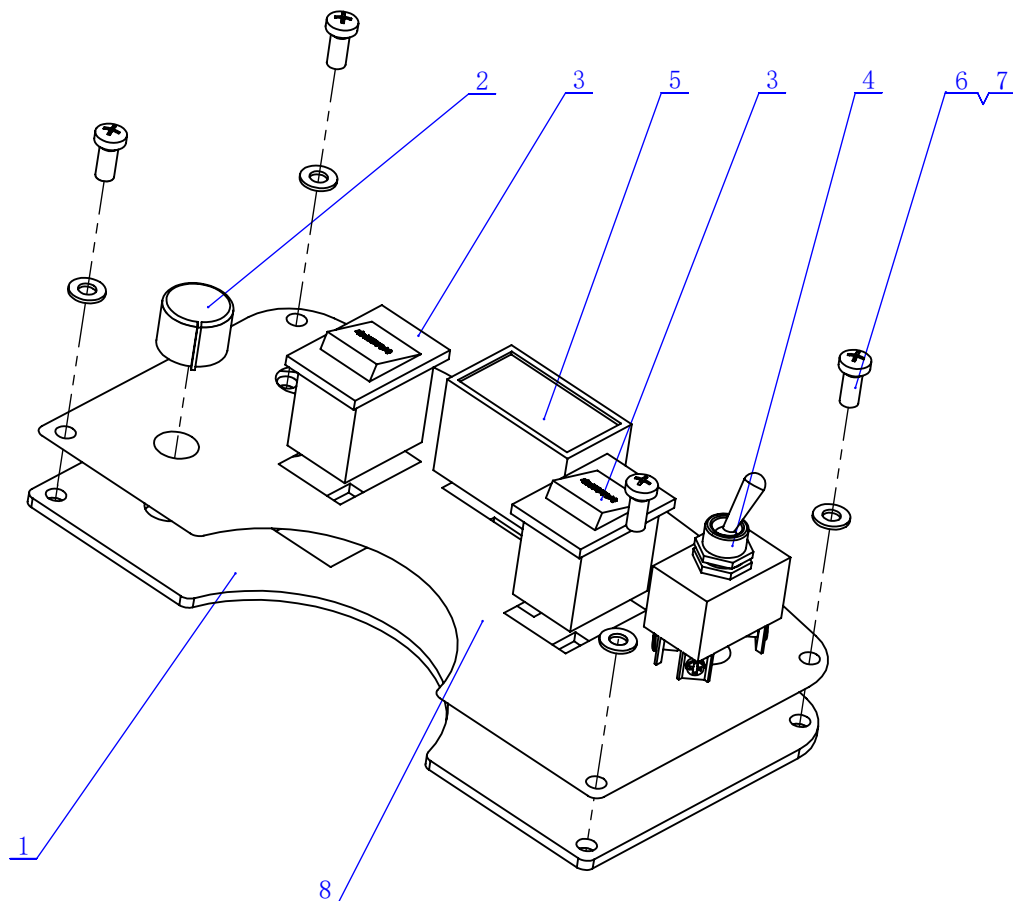
## 4. STEERING ASSEMBLY

1	M010156		Large sprocket	1
2	M010157		BEARINGS FLANGE	1
3	M010159		Front axle	1
4	M010169		Front axle sleeve	1
5	M010158		Front wheel sleeve	2
6	M010162		Forward steering axle	1
7	M010163		Adjusting handle	2
8	M010155		BEARING BLOCK	1
9	M010170		ROPE	1
10	M010171		ROPE1	1
11	P010229		Driving wheel 200x50	1
12	P010227		Steering wheel $\Phi$ 265	1
13	P010219		Steering housing	1
14	P010228		The steering wheel cover	1
15	H010250		Front fork	1
16	H010251		WASHER	1
17	H010258		Rocker connecting plate	2
18	H010254		SUPPORT	1
19	H010253		STEERING SUPPORT A7	1
20	E010141		LIGHT 18W	1
21	E010101		Key switch	1
22	E010156		The horn switch	1
23	N010196		6010 bearing	2
24	N010288		SCREW M6*35 A2	6
25	N010127		WASHER $\Phi$ 8* $\Phi$ 24*2	2
26	N010133		SCREW M8*25 A2	6
27	N010114		SCREW M8*20 A2	4
28	N010304		Section 06B 50	1

## 4. STEERING ASSEMBLY

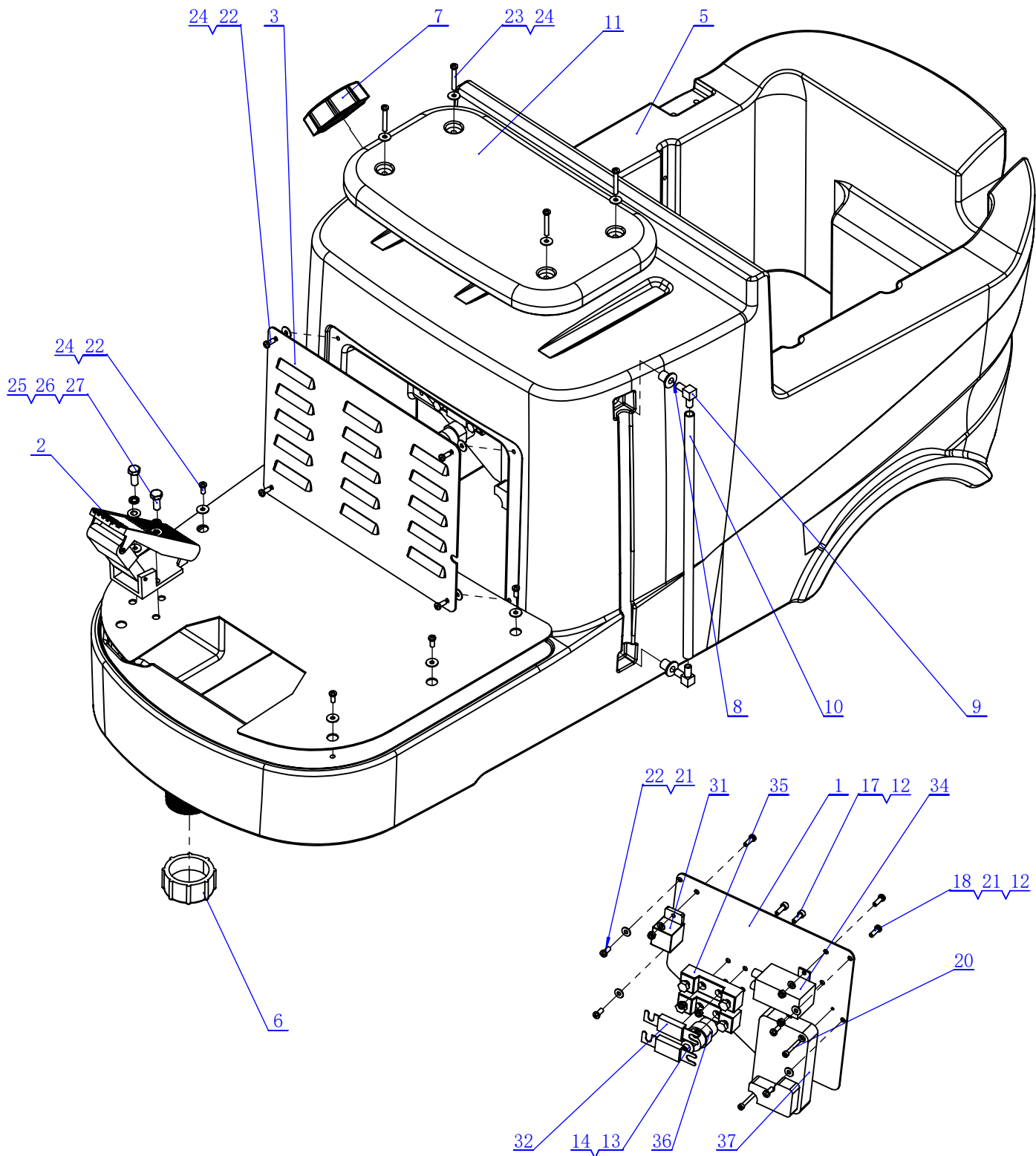
29	N010166		Flat cushion M16x30x3 stainless steel	2
30	N010143		SCREW M8*50 A2	2
31	N010157		NUT M8 A2	6
32	N010130		Self-locking nut M8 stainless steel	2
33	N010126		WASHER $\Phi 8 * \Phi 16 * 1$	6
34	N010211		SQUARE NECK BOLT M8x20 A2	2
35	N010261		6004 bearing	2
36	N010262		42-hole clip spring	2
37	N010235		Flat mat $\Phi 8 \times \Phi 32 \times 3$	2
38	N010132		SCREW M8*20 A2	2
39	N010141		SCREW M6*12 A2	2
40	E010169		Headlight switch	1
41	N010136		SCREW M5*12 A2	3
42	N010218		SCREW M5*35 A2	6
43	N010123		WASHER $\Phi 5 * \Phi 15 * 1$	6
44	N010157		NUT M8 A2	2
45	N010134		SCREW M8*30 A2	2
46	N010184		Turn the handle	2
47	N010310		CHAIN 08A	1
48	N010121		$\Phi 8$ stainless steel spring washers	4
49	N010230		Universal Joint 18x30x80	1
50	N010209		SBPFL 205 BEARING BLOCK	1

## 5.CONTROL PANEL



1	H010261		Display panel	1
2	E010129		SPEED KNOB	1
3	E010102		ROCKER SWITCH 16A	2
4	E010135		SWITCH	1
5	E010103		BATTERY INDICATION 24V	1
6	N010136		SCREW M5*12 A2	4
7	N010122		WASHER $\Phi 5*\Phi 10*1$	4
8	K010109			1

## 6.SOLUTION TANK ASSEMBLY



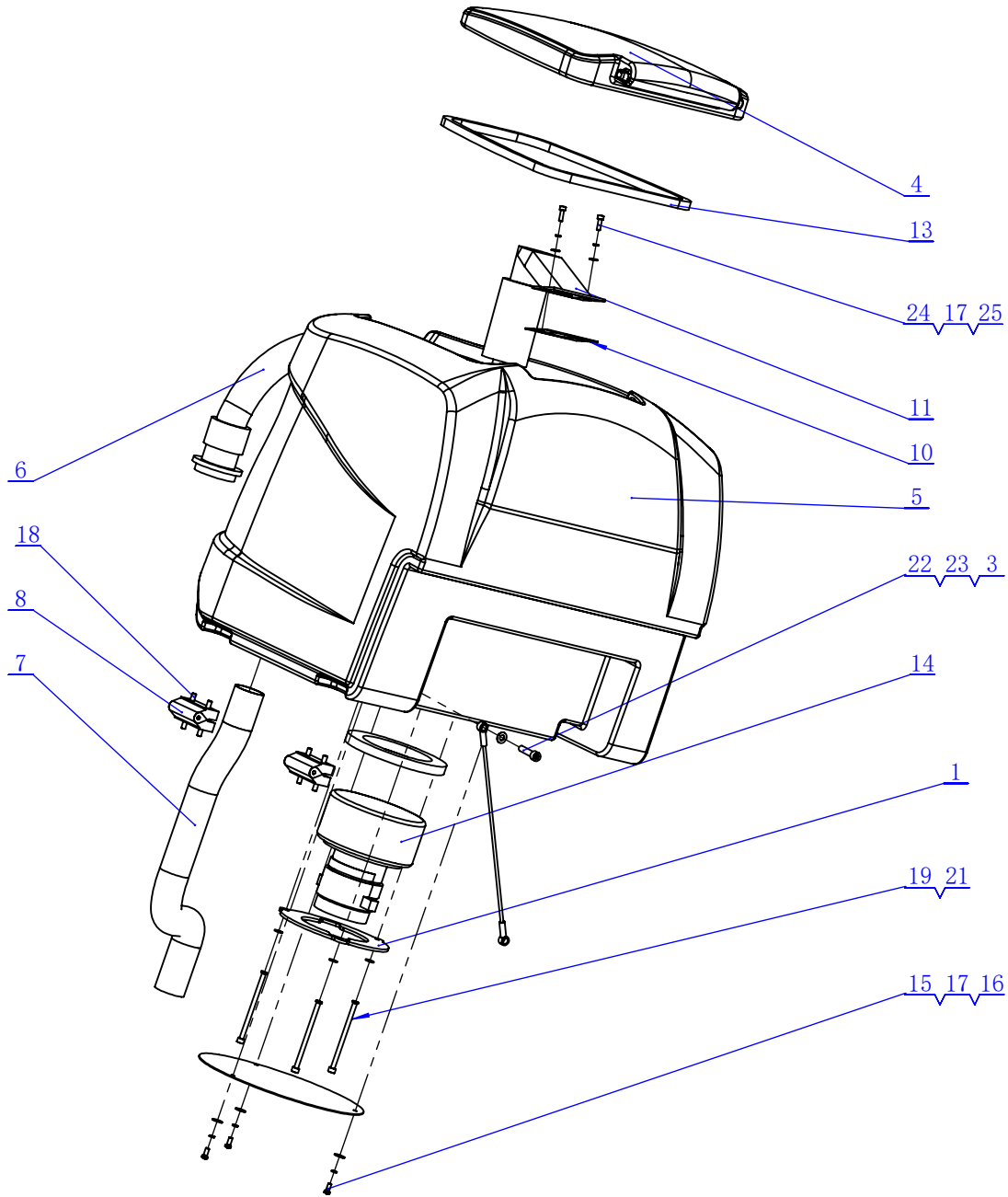
## 6.SOLUTION TANK ASSEMBLY

1	H010262		PLATE A7	1
2	E010147		Pedal accelerator	1
3	H010111		Electrical cabin cover	1
4	H010249		Pedal	1
5	P010230		SOLUTION TANK A7	1
6	P010136		Outlet cover M50	1
7	P010158		THREADED COVER	1
8	P020148		Silica gel plug	2
9	P010159		ELBOW	2
10	P010160		Liquid level indicator tube	1
11	P010150		SEAT 390*230	1
12	N010128		LOCK NUT M5 A2	7
13	N010112		SCREW M6*16 A2	2
14	N010182		WASHER $\Phi 6*\Phi 18*1$	1
15	N010120		LOCK WASHER M6 A2	1
16	N010146		NUT M6 A2	1
17	N010110		SCREW M5*16 A2	4
18	N010156		SCREW M5X16 A2	3
19	N010122		WASHER $\Phi 5*\Phi 10*1$	3
20	N010151		SCREW M4*30 A2	2
21	N010153		WASHER $\Phi 5*\Phi 12*1$	4
22	N010136		SCREW M5*12 A2	14
23	N010218		SCREW M5*35 A2	4

## 6.SOLUTION TANK ASSEMBLY

24	N010123		WASHER $\Phi 5*\Phi 15*1$	14
25	N010126		WASHER $\Phi 8*\Phi 16*1$	3
26	N010121		LOCK WASHER M8 A2	8
27	N010132		SCREW M8*20 A2	8
28	N010127		WASHER $\Phi 8*\Phi 24*2$	6
29	N010130		LOCK NUT M8 A2	2
30	N010191		SCREW M8*35 A2	1
31	E010106		RELAY 24V 80A	1
32	E010108		MOTOR FUSE 50A	1
33	E010107		MOTOR FUSE 30A	1
34	E010105		DC CONTACTOR 24V 100A	1
35	E010109		FUSE SUPPORT 800A	2
36	E010116		CATHODE INSULATING COLUMN	1
37	E010206		DRIVING CONTROLLER T5	1

## 7.RECOVERY TANK ASSEMBLY

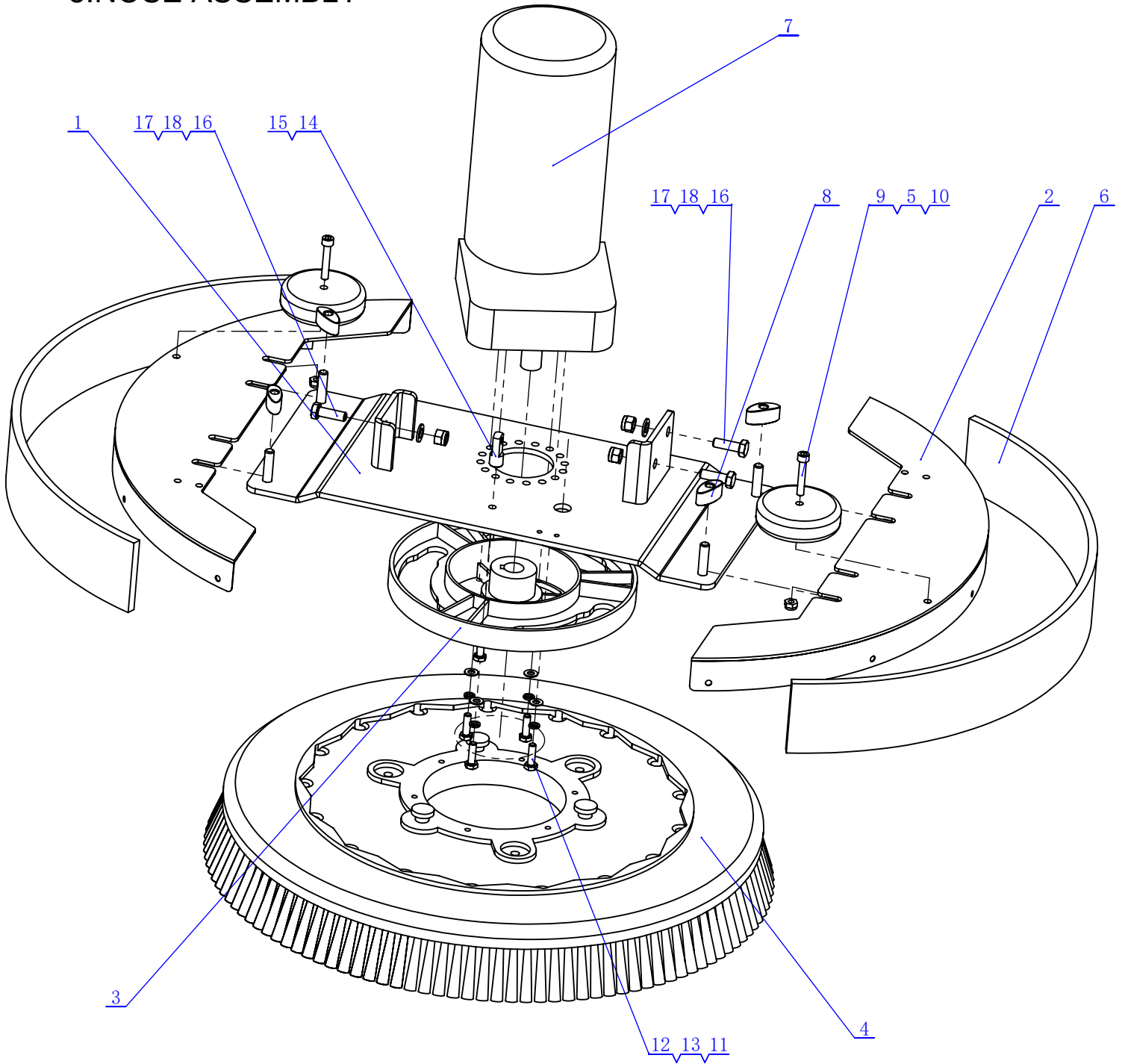




## 7.RECOVERY TANK ASSEMBLY

1	H010108		MOTOR FLANGE Ø164	1
2	H010252		Absorbent motor cover	1
3	M010108		ROPE L=350	1
4	P010103		COVER	1
5	P010221		RECOVERY TANK A7	1
6	P010225		Drainage pipe D38X930	1
7	P010152		Soak pipe	1
8	P010122		HINGE	2
9	P020105g		EVA FOAMED COTTON $\Phi$ 150* $\Phi$ 105*13	1
10	P020104		SUCTION GASKET	1
11	P010106		SUCTION BODY	1
12	P010107		SUCTION BODY	1
13	P020103		GASKET 1110	1
14	E010112		SUCTION MOTOR 24V 500W 2 STAGE	1
15	N010136		SCREW M5*12 A2	3
16	N010123		WASHER $\Phi$ 5* $\Phi$ 15*1	3
17	N010119		LOCK WASHER M5 A2	5
18	N010138		SCREW M6*25 A2	8
19	N010117		SCREW M6*100 A2	3
20	N010120		LOCK WASHER M6 A2	3
21	N010125		WASHER $\Phi$ 6* $\Phi$ 12*1	3
22	N010191		SCREW M8*35 A2	1
23	N010126		WASHER $\Phi$ 8* $\Phi$ 16*1	1
24	N010110		SCREW M5*16 A2	2
25	N010153		WASHER $\Phi$ 5* $\Phi$ 12*1	2

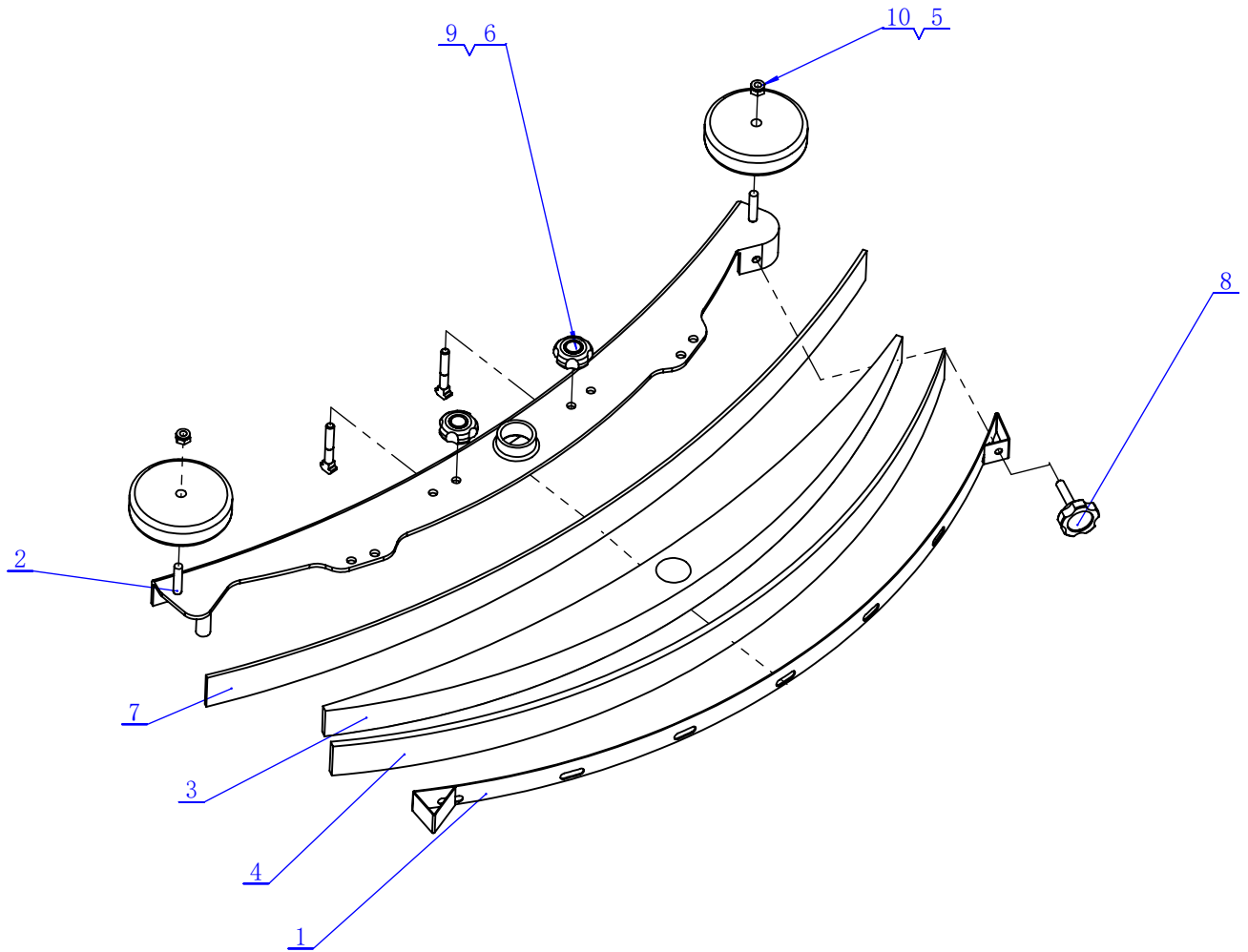
## 8.NOSE ASSEMBLY



## 8.NOSE ASSEMBLY

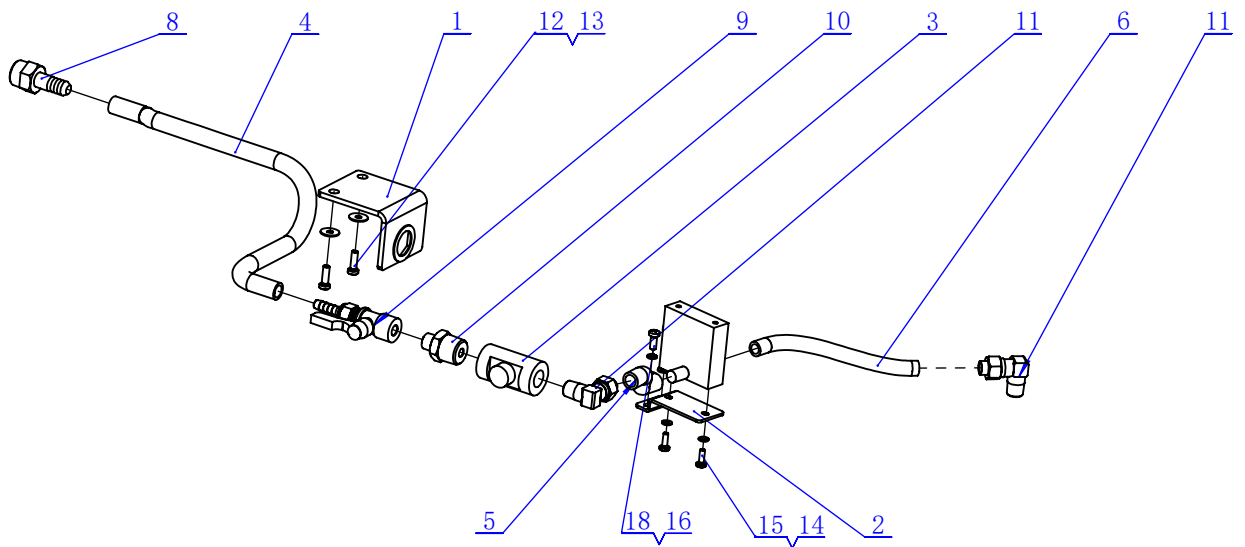
1	H010255		Brush disc fixing plate	1
2	H010248		Left and right nose shield	2
3	M020101		BRUSH PLATE $\Phi 150*\Phi 18$	1
4	P010201		BRUSH 21''	1
5	P010112		WHEEL $\Phi 100*20$	2
6	P010240		Nose side brush	2
7	E010111		Brush disc motor 36V 450W	1
8	P010114		KNOB M8	4
9	N010288		SCREW M6*35 A2	2
10	N010129		LOCK NUT M6 A2	2
11	N010125		WASHER $\Phi 6*\Phi 12*1$	4
12	N010118		SCREW M6*20 A2	4
13	N010120		LOCK WASHER M6 A2	4
14	N010172		CONNECTOR TYPE I M6	1
15	N010141		SCREW M6*12 A2	1
16	N010133		SCREW M8*25 A2	3
17	N010130		Self-locking nut M8 stainless steel	3
18	N010126		Flat mat $\Phi 8 \times \Phi 16 \times 1$ stainless steel	3

## 9.SQUEEGEE ASSEMBLY



1	H010188		STAINLESS STEEL STRIP	1
2	M020104		SQUEEGEE BODY A7	1
3	P020116		MENISCUS	1
4	P020150		REAR BLADE 960*56*4	1
5	P010112		WHEEL $\Phi$ 100*20	2
6	P010114		KNOB M8	2
7	P020151		FRONT BLADE 990*64*4.76	1
8	N010150		SCREW M8	1
9	N010282		One - word screw M8x60	2
10	N010130		LOCK NUT M8 A2	2

## 10.WATER ASSEMBLY



1	H010119		VALVE SUPPORT 62*65*44	1
2	H010109		SUPPORT 69*12*2	1
3	P010119		FILTER 3/8	1
4	P020170		The silicone tube	1
5	P020171		The silicone tubel	1
6	P020172		The silicone tube2	1
7	E010110		Solenoid valve 24 v	1
8	N010223		CONNECTOR 1/2 D=12 d=10	1
9	N010101		Ball valve	1
10	N010279		NIPPLE 3/8-1/2	1
11	N010105		ELBOW 3/8-12	2
12	N010156		SCREW M5X16 A2	2
13	N010123		WASHER $\Phi 5*\Phi 15*1$	2
14	N010277		WASHER $\Phi 4*\Phi 8*1$	2
15	N010135		SCREW M4*12 A2	2
16	N010119		LOCK WASHER M5 A2	2
17	N010122		WASHER $\Phi 5*\Phi 10*1$	2
18	N010136		SCREW M5*12 A2	2



KRÜGER TECHNOLOGY S.L.  
Polígono Agustinos C/G Parcela B2  
31013 Pamplona (Navarra) - ESPAÑA  
+34 948 343 393 - [info@kruger.es](mailto:info@kruger.es) - [www.kruger.es](http://www.kruger.es)