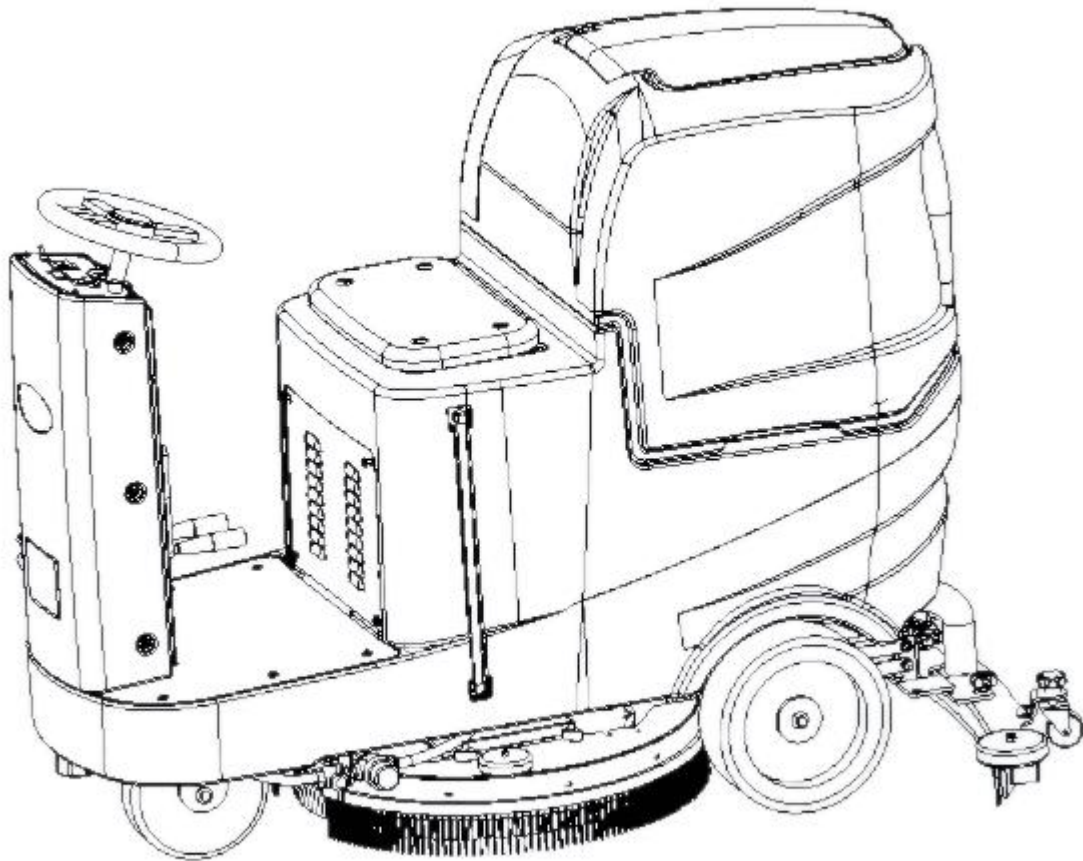


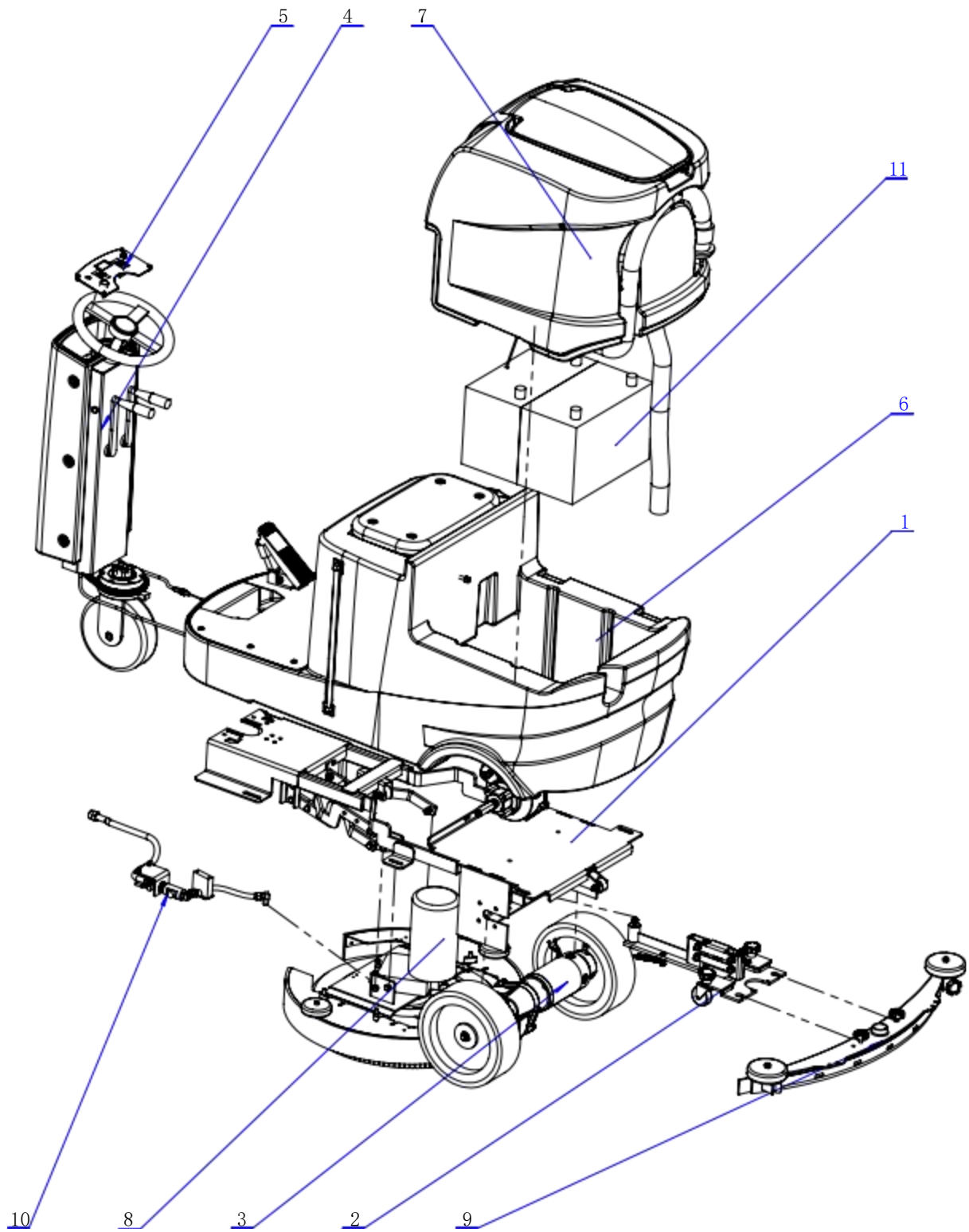
-SCHEMATIC DRAWINGS-

Ride-on Scrubber Dryer **KF5685BC**
KF6685BC



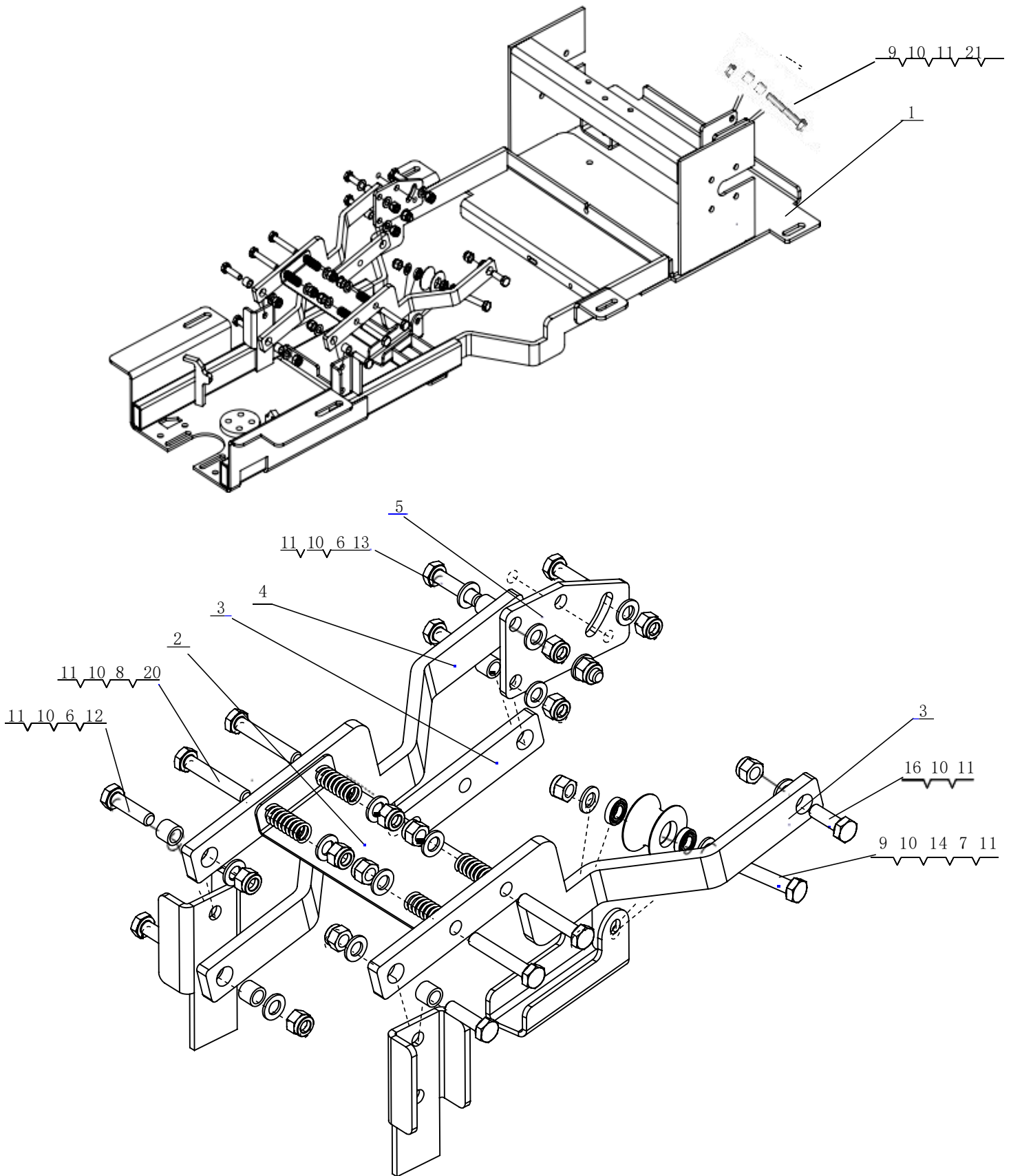
Content

| | |
|---------------------------------|----|
| 1. FRAME ASSEMBLY | 5 |
| 2. SUPPORT FRAME ASSEMBLY | 7 |
| 3. DRIVER | 8 |
| 4. STEERING ASSEMBLY | 9 |
| 5. CONTROL PANEL | 12 |
| 6. SOLUTION TANK ASSEMBLY | 13 |
| 7. RECOVERY TANK ASSEMBLY | 16 |
| 8. NOSE ASSEMBLY | 18 |
| 9. SQUEEGEE ASSEMBLY | 19 |
| 10. WATER ASSEMBLY | 21 |



| | | | |
|----|---------|---------------------------------|---|
| 1 | A020158 | FRAME ASSEMBLY A7 | 1 |
| 2 | A020159 | SQUEEGEE CONTROL ASSEMBLY A7 | 1 |
| 3 | A020160 | DRIVE WHEEL ASSEMBLY A7 | 1 |
| 4 | A020161 | STEERING ASSEMBLY A7 | 1 |
| 5 | A020162 | CONTROL PANEL ASSEMBLY A7 | 1 |
| 6 | A020163 | SOLUTION TANK ASSEMBLY A7 | 1 |
| 7 | A020164 | RECOVERY TANK ASSEMBLY A7 | 1 |
| 8 | A020165 | BRUSHES BASE ASSEMBLY A7 | 1 |
| 9 | A020107 | SQUEEGEE ASSEMBLY A5 | 1 |
| 10 | A020166 | WATER UNIT A7 | 1 |
| 11 | E010114 | TIANNENG BATTERY 12V 100AH | 2 |
| 12 | E010172 | DRIVING MOTOR 24V 500W | 1 |

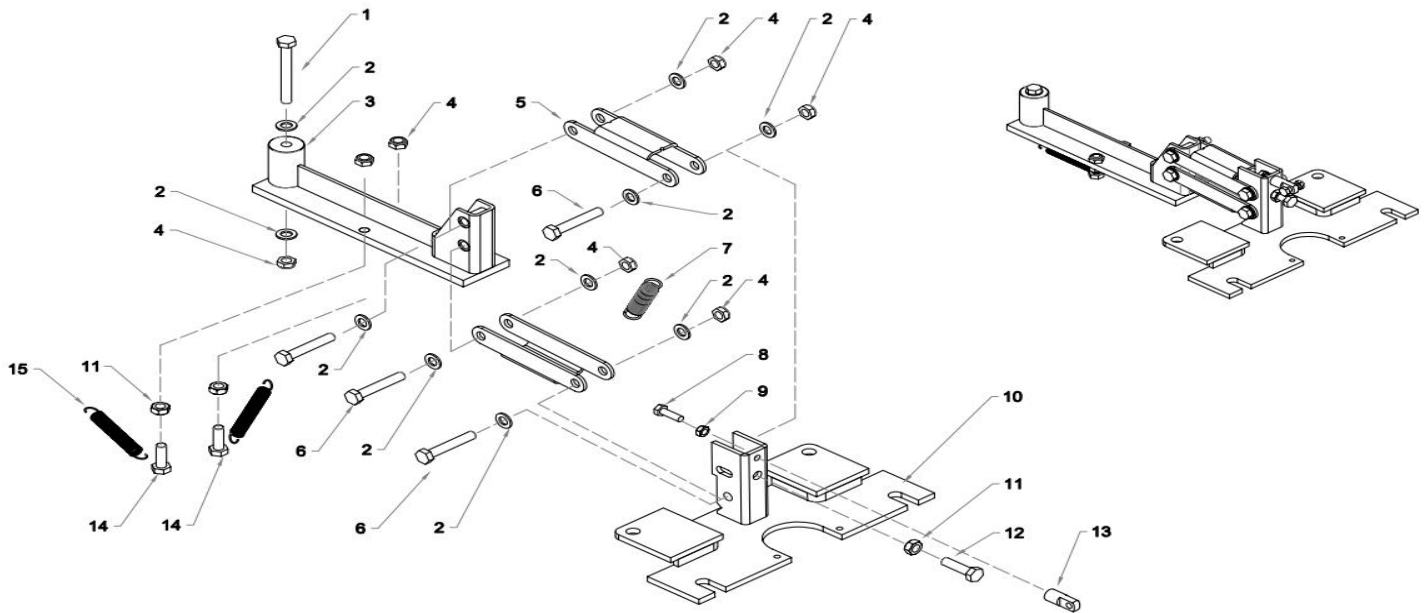
1.FRAME ASSEMBLY



1.FRAME ASSEMBLY

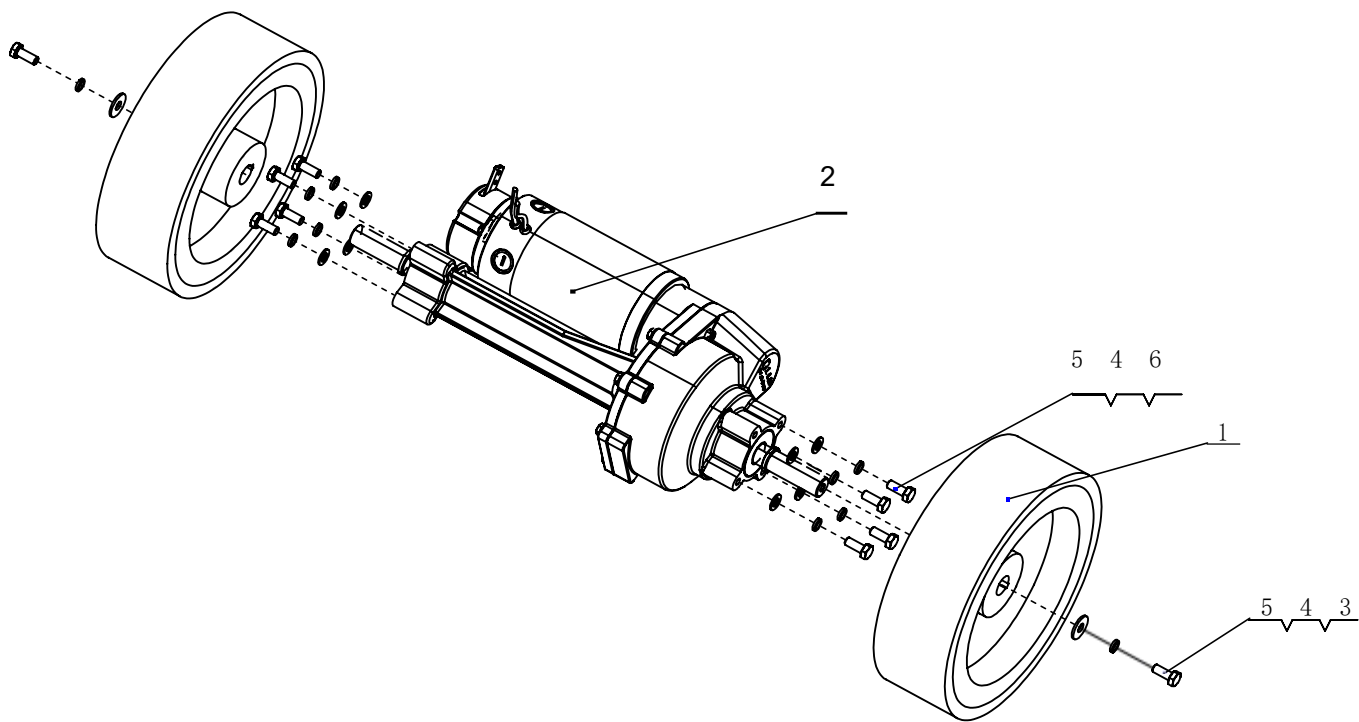
| | | | |
|----|---------|---|----|
| 1 | H010237 | chassis | 1 |
| 2 | H010244 | Head Buffer Plate | 1 |
| 3 | H010245 | Head connecting rod 2 | 2 |
| 4 | H010246 | Head connecting rod 1 | 1 |
| 5 | H010247 | Head adjusting plate | 1 |
| 6 | M010165 | BUSHING $\Phi 8.5 \times \Phi 12 \times 10$ | 5 |
| 7 | M010114 | PULLEY $\Phi 35 \times 20$ | 1 |
| 8 | M010160 | Ground Spring | 4 |
| 9 | N010116 | SCREW M8*50 A2 | 2 |
| 10 | N010126 | Flat mat $\Phi 8 \times \Phi 16 \times 1$ stainless steel | 17 |
| 11 | N010130 | Self-locking nut M8 stainless steel | 12 |
| 12 | N010134 | SCREW M8*30 A2 | 3 |
| 13 | N010194 | SCREW M8*35 A2 | 2 |
| 14 | N010155 | 688 ZZ BEARING | 2 |
| 15 | N010130 | LOCK NUT M8 A2 | 1 |
| 16 | N010133 | SCREW M8*25 A2 | 2 |
| 17 | N010121 | LOCK WASHER M8 A2 | 4 |
| 18 | N010157 | NUT M8 A2 | 4 |
| 19 | N010134 | SCREW M8*30 A2 | 3 |
| 20 | N010306 | SCREW M8*75 A2 | 4 |
| 21 | M010109 | BUSHING $\Phi 8 \times \Phi 12 \times 11$ | 2 |

2. SUPPORT FRAME ASSEMBLY



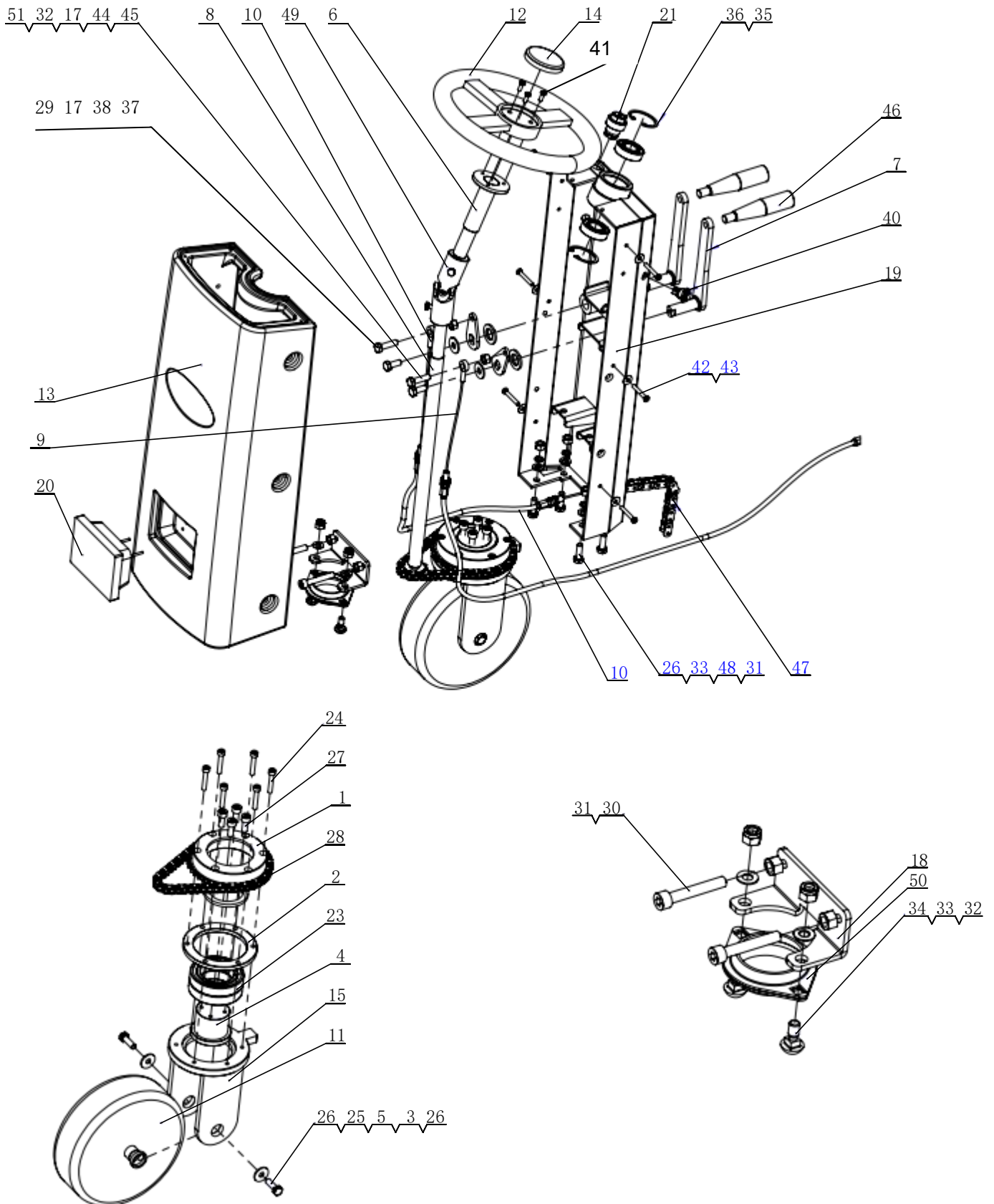
| | | | |
|----|---------|--|----|
| 1 | N010303 | Bolt M8x70 | 1 |
| 2 | N010126 | Washer \varnothing 8 | 10 |
| 3 | H010169 | Pickpocket upper bracket 230x 50x 78 | 1 |
| 4 | N010130 | Lock nut M8 | 7 |
| 5 | H010168 | Link 5x122x 33 | 2 |
| 6 | N010116 | Bolt M8x50 | 4 |
| 7 | N010284 | Earth pressure spring 2x \varnothing 13x60 | 1 |
| 8 | N010118 | Bolt M6x20 | 1 |
| 9 | N010131 | Nut M6 | 1 |
| 10 | H010263 | Lower bracket of raking head 257x116x 89 | 1 |
| 11 | N010157 | Nut M8 | 3 |
| 12 | N010134 | Bolt M8x30 | 1 |
| 13 | N010172 | Connector Type I M6 | 1 |
| 14 | N010133 | Bolt M8x25 | 2 |
| 15 | N010283 | Reset spring 1.5x \varnothing 12x85 | 2 |

3 DRIVER



| | | | |
|---|---------|--|----|
| 1 | P010157 | Driving wheel 256x80 | 2 |
| 2 | E010172 | DRIVING MOTOR 24V 500W | 1 |
| 3 | N010235 | Flat mat Φ 8 x Φ 32 x3 | 2 |
| 4 | N010121 | Φ 8 stainless steel spring washers | 10 |
| 5 | N010132 | SCREW M8*20 A2 | 10 |
| 6 | N010126 | Flat mat Φ 8 x Φ 16 x1 stainless steel | 8 |

4. TEERING ASSEMBLY



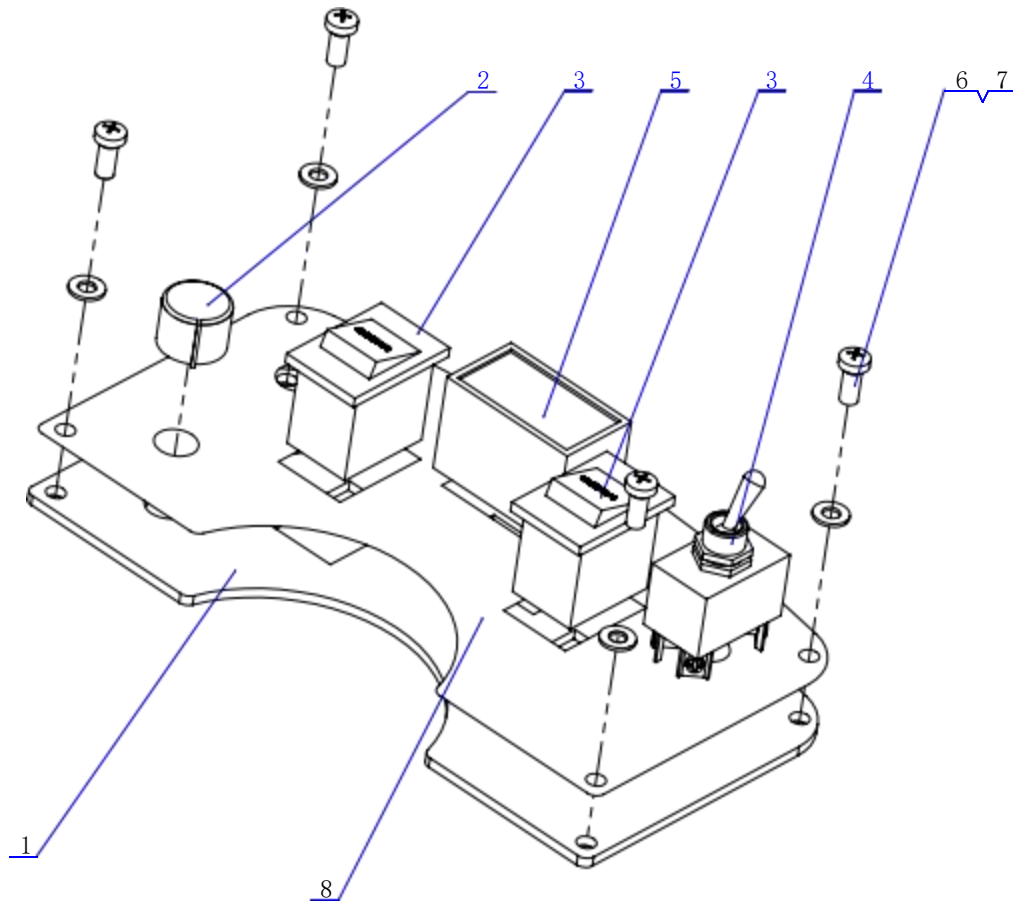
4. STEERING ASSEMBLY

| | | | |
|----|---------|------------------------------|---|
| 1 | M010156 | Large sprocket | 1 |
| 2 | M010157 | BEARINGS FLANGE | 1 |
| 3 | M010159 | Front axle | 1 |
| 4 | M010169 | Front axle sleeve | 1 |
| 5 | M010158 | Front wheel sleeve | 2 |
| 6 | M010162 | Forward steering axle | 1 |
| 7 | M010163 | Adjusting handle | 2 |
| 8 | M010155 | BEARING BLOCK | 1 |
| 9 | M010170 | ROPE | 1 |
| 10 | M010171 | ROPE1 | 1 |
| 11 | P010229 | Driving wheel 200x50 | 1 |
| 12 | P010227 | Steering wheel Φ 265 | 1 |
| 13 | P010219 | Steering housing | 1 |
| 14 | P010228 | The steering wheel cover | 1 |
| 15 | H010250 | Front fork | 1 |
| 16 | H010251 | WASHER | 1 |
| 17 | H010258 | Rocker connecting plate | 2 |
| 18 | H010254 | SUPPORT | 1 |
| 19 | H010253 | STEERING SUPPORT A7 | 1 |
| 20 | E010141 | LIGHT 18W | 1 |
| 21 | E010101 | Key switch | 1 |
| 22 | E010156 | The horn switch | 1 |
| 23 | N010196 | 6010 bearing | 2 |
| 24 | N010288 | SCREW M6*35 A2 | 6 |
| 25 | N010127 | WASHER Φ 8* Φ 24*2 | 2 |
| 26 | N010133 | SCREW M8*25 A2 | 6 |
| 27 | N010115 | SCREW M8*25 A2 | 4 |
| 28 | N010304 | Section 06B 25 | 1 |

4. STEERING ASSEMBLY

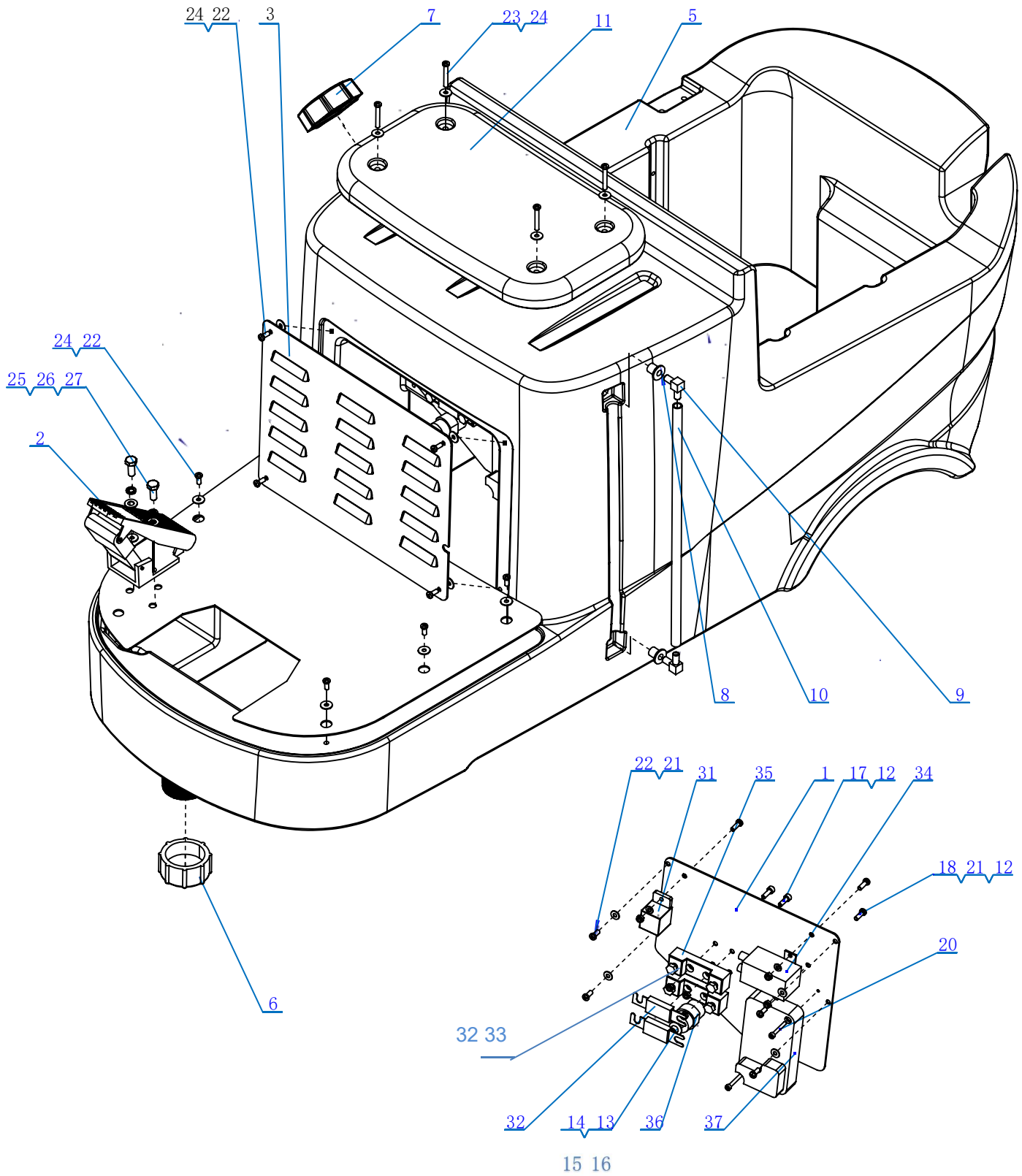
| | | | |
|----|---------|---|---|
| 29 | M010115 | BUSHING 10*16*11.5 | 2 |
| 30 | N010143 | SCREW M8*50 A2 | 2 |
| 31 | N010157 | NUT M8 A2 | 6 |
| 32 | N010130 | Self-locking nut M8 stainless steel | 2 |
| 33 | N010126 | WASHER $\Phi 8 \times \Phi 16 \times 1$ | 6 |
| 34 | N010211 | SQUARE NECK BOLT M8x20 A2 | 2 |
| 35 | N010261 | 6004 bearing | 2 |
| 36 | N010262 | 42-hole clip spring | 2 |
| 37 | N010235 | Flat mat $\Phi 8 \times \Phi 32 \times 3$ | 2 |
| 38 | N010132 | SCREW M8*20 A2 | 2 |
| 39 | N010141 | SCREW M6*12 A2 | 2 |
| 40 | E010169 | Headlight switch | 1 |
| 41 | N010136 | SCREW M5*12 A2 | 3 |
| 42 | N010218 | SCREW M5*35 A2 | 6 |
| 43 | P010241 | Plastic mat M5 | 6 |
| 44 | N010157 | NUT M8 A2 | 2 |
| 45 | N010134 | SCREW M8*30 A2 | 2 |
| 46 | N010184 | Turn the handle | 2 |
| 47 | N010310 | CHAIN 08A | 1 |
| 48 | N010121 | $\Phi 8$ stainless steel spring washers | 4 |
| 49 | N010230 | Universal Joint 18x30x80 | 1 |
| 50 | N010209 | SBPFL 205 BEARING BLOCK | 1 |
| 51 | N010192 | THIN NUT M8 A2 | 2 |

5. CONTROL PANEL



| | | | |
|---|---------|------------------------|---|
| 1 | H010261 | Display panel | 1 |
| 2 | E010129 | SPEED KNOB | 1 |
| 3 | E010102 | ROCKER SWITCH 16A | 2 |
| 4 | E010135 | SWITCH | 1 |
| 5 | E010103 | BATTERY INDICATION 24V | 1 |
| 6 | N010136 | SCREW M5*12 A2 | 4 |
| 7 | N010139 | Gasket $\Phi 4$ | 4 |
| 8 | E010250 | Control plane label | 1 |

6. SOLUTION TANK ASSEMBLY



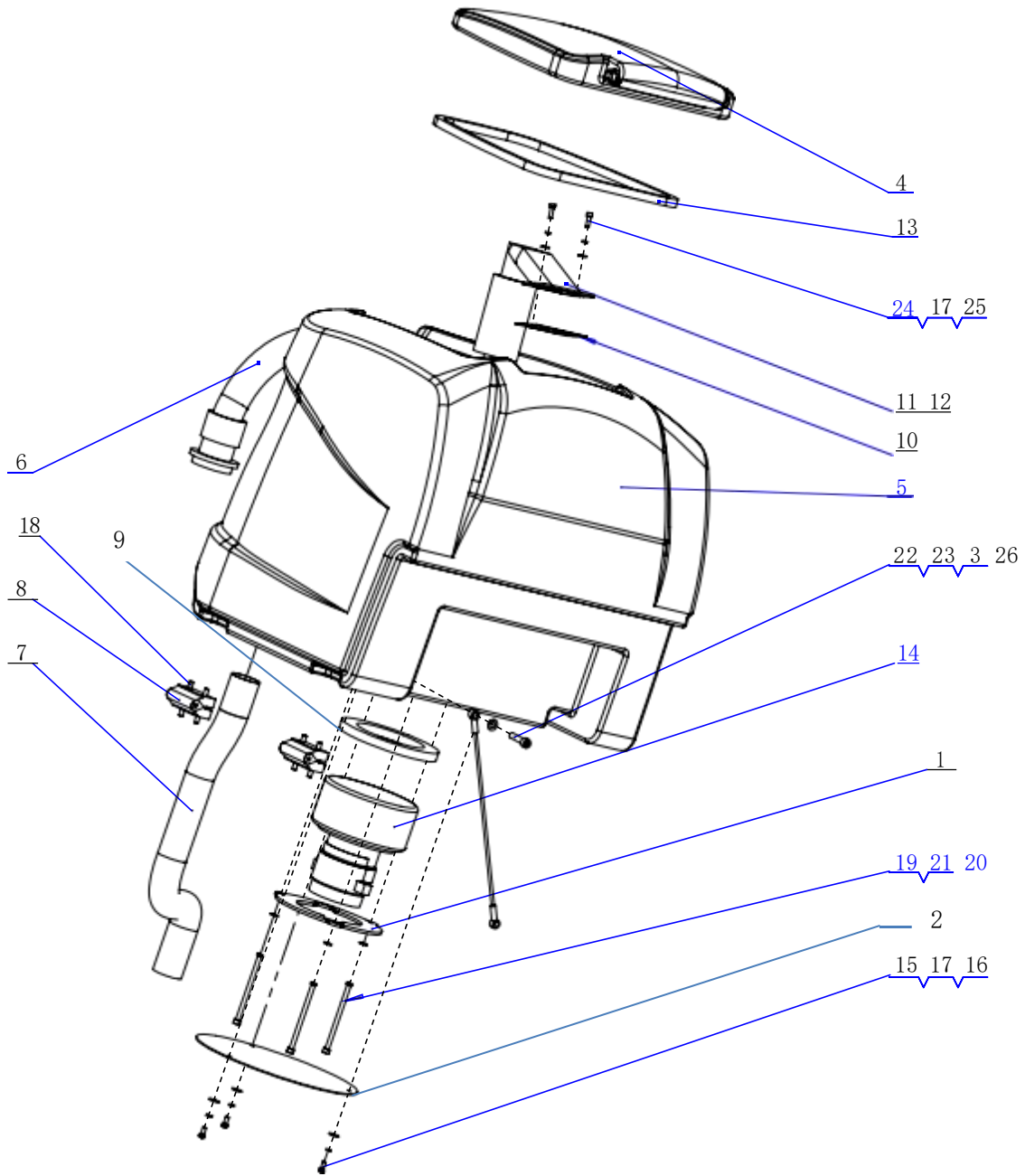
6. SOLUTION TANK ASSEMBLY

| | | | |
|----|---------|-----------------------------|----|
| 1 | H010262 | PLATE A7 | 1 |
| 2 | E010147 | Pedal accelerator | 1 |
| 3 | H010111 | Electrical cabin cover | 1 |
| 4 | H010249 | Pedal | 1 |
| 5 | P010230 | SOLUTION TANK A7 | 1 |
| 6 | P010136 | Outlet cover M50 | 1 |
| 7 | P010158 | THREADED COVER | 1 |
| 8 | P020148 | Silica gel plug | 2 |
| 9 | P010159 | ELBOW | 2 |
| 10 | P010160 | Liquid level indicator tube | 1 |
| 11 | P010150 | SEAT 390*230 | 1 |
| 12 | N010128 | LOCK NUT M5 A2 | 7 |
| 13 | N010112 | SCREW M6*16 A2 | 2 |
| 14 | N010182 | WASHER $\Phi 6*\Phi 18*1$ | 1 |
| 15 | N010120 | LOCK WASHER M6 A2 | 1 |
| 16 | N010146 | NUT M6 A2 | 1 |
| 17 | N010110 | SCREW M5*16 A2 | 4 |
| 18 | N010136 | SCREW M5X12 A2 | 3 |
| 19 | N010122 | WASHER $\Phi 5*\Phi 10*1$ | 3 |
| 20 | N010151 | SCREW M4*30 A2 | 2 |
| 21 | N010153 | WASHER $\Phi 5*\Phi 12*1$ | 4 |
| 22 | N010136 | SCREW M5*12 A2 | 14 |
| 23 | N010218 | SCREW M5*35 A2 | 4 |

6. SOLUTION TANK ASSEMBLY

| | | | |
|----|---------|---|----|
| 24 | N010123 | WASHER $\Phi 5 \times \Phi 15 \times 1$ | 14 |
| 25 | N010126 | WASHER $\Phi 8 \times \Phi 16 \times 1$ | 3 |
| 26 | N010121 | LOCK WASHER M8 A2 | 8 |
| 27 | N010132 | SCREW M8*20 A2 | 8 |
| 28 | N010127 | WASHER $\Phi 8 \times \Phi 24 \times 2$ | 6 |
| 29 | N010130 | LOCK NUT M8 A2 | 2 |
| 30 | N010191 | SCREW M8*35 A2 | 1 |
| 31 | E010106 | RELAY 24V 80A | 1 |
| 32 | E010108 | MOTOR FUSE 50A | 1 |
| 33 | E010107 | MOTOR FUSE 30A | 1 |
| 34 | E010105 | DC CONTACTOR 24V 100A | 1 |
| 35 | E010109 | FUSE SUPPORT 800A | 2 |
| 36 | E010116 | CATHODE INSULATING COLUMN | 1 |
| 37 | E010206 | DRIVING CONTROLLER T5 | 1 |

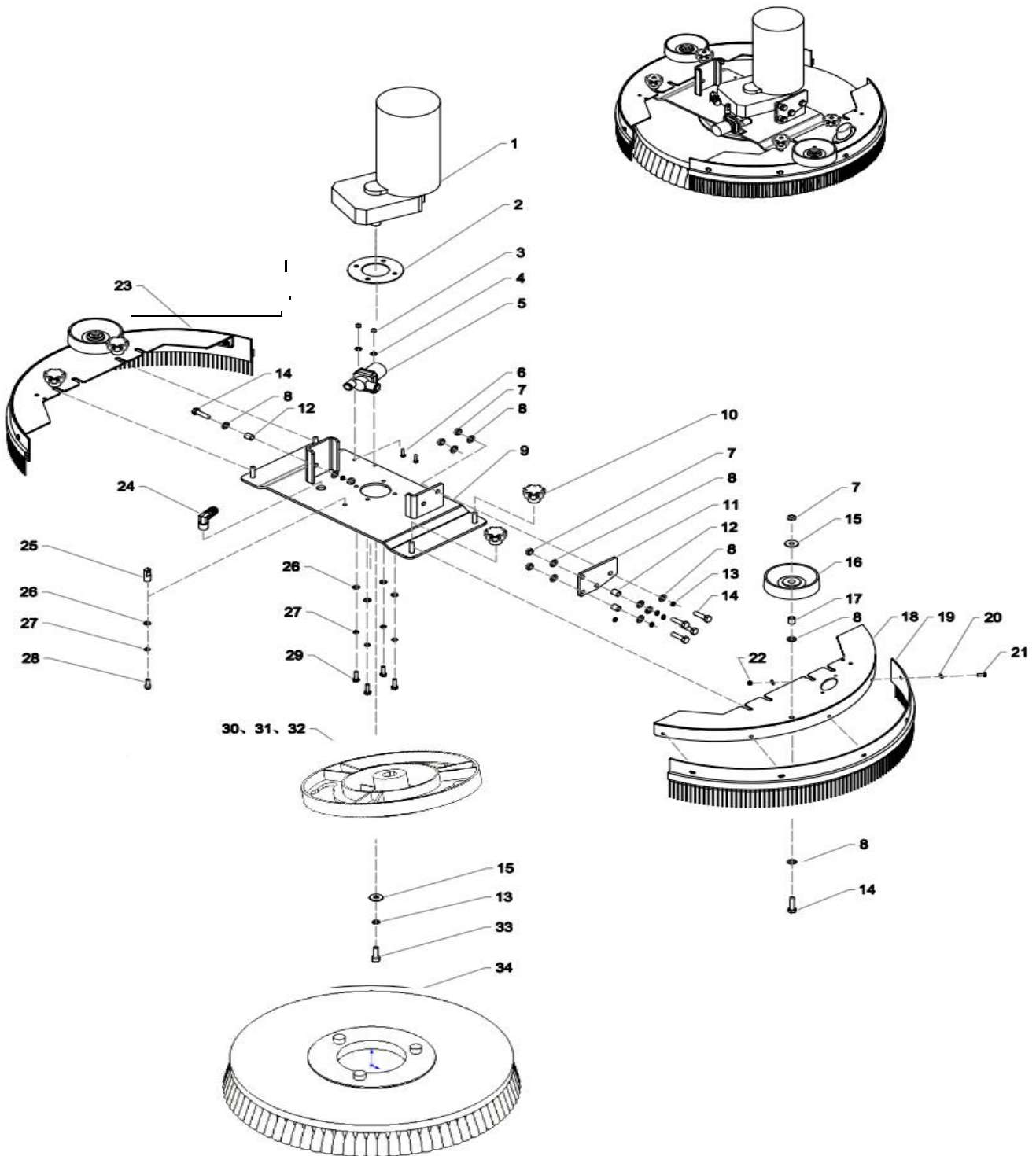
7. RECOVERY TANK ASSEMBLY



7. RECOVERY TANK ASSEMBLY

| | | | |
|----|----------|--|---|
| 1 | H010108 | MOTOR FLANGE \varnothing 164 | 1 |
| 2 | H010252 | Absorbent motor cover | 1 |
| 3 | M010108 | ROPE L=350 | 1 |
| 4 | P010103 | COVER | 1 |
| 5 | P010221 | RECOVERY TANK A7 | 1 |
| 6 | P010225 | Drainage pipe D38X930 | 1 |
| 7 | P010152 | Soak pipe | 1 |
| 8 | P010122 | HINGE | 2 |
| 9 | P020105g | EVA FOAMED COTTON Φ 150* Φ 105*13 | 1 |
| 10 | P020104 | SUCTION GASKET | 1 |
| 11 | P010106 | SUCTION BODY | 1 |
| 12 | P010107 | SUCTION BODY | 1 |
| 13 | P020103 | GASKET 1110 | 1 |
| 14 | E010112 | SUCTION MOTOR 24V 500W 2 STAGE | 1 |
| 15 | N010136 | SCREW M5*12 A2 | 3 |
| 16 | N010123 | WASHER Φ 5* Φ 15*1 | 3 |
| 17 | N010119 | LOCK WASHER M5 A2 | 5 |
| 18 | N010138 | SCREW M6*25 A2 | 8 |
| 19 | N010117 | SCREW M6*100 A2 | 3 |
| 20 | N010120 | LOCK WASHER M6 A2 | 3 |
| 21 | N010125 | WASHER Φ 6* Φ 12*1 | 3 |
| 22 | N010191 | SCREW M8*35 A2 | 1 |
| 23 | N010126 | WASHER Φ 8* Φ 16*1 | 1 |
| 24 | N010110 | SCREW M5*16 A2 | 2 |
| 25 | N010153 | WASHER Φ 5* Φ 12*1 | 2 |
| 26 | N010157 | NUT M8 A2 | 1 |

8. NOSE ASSEMBLY

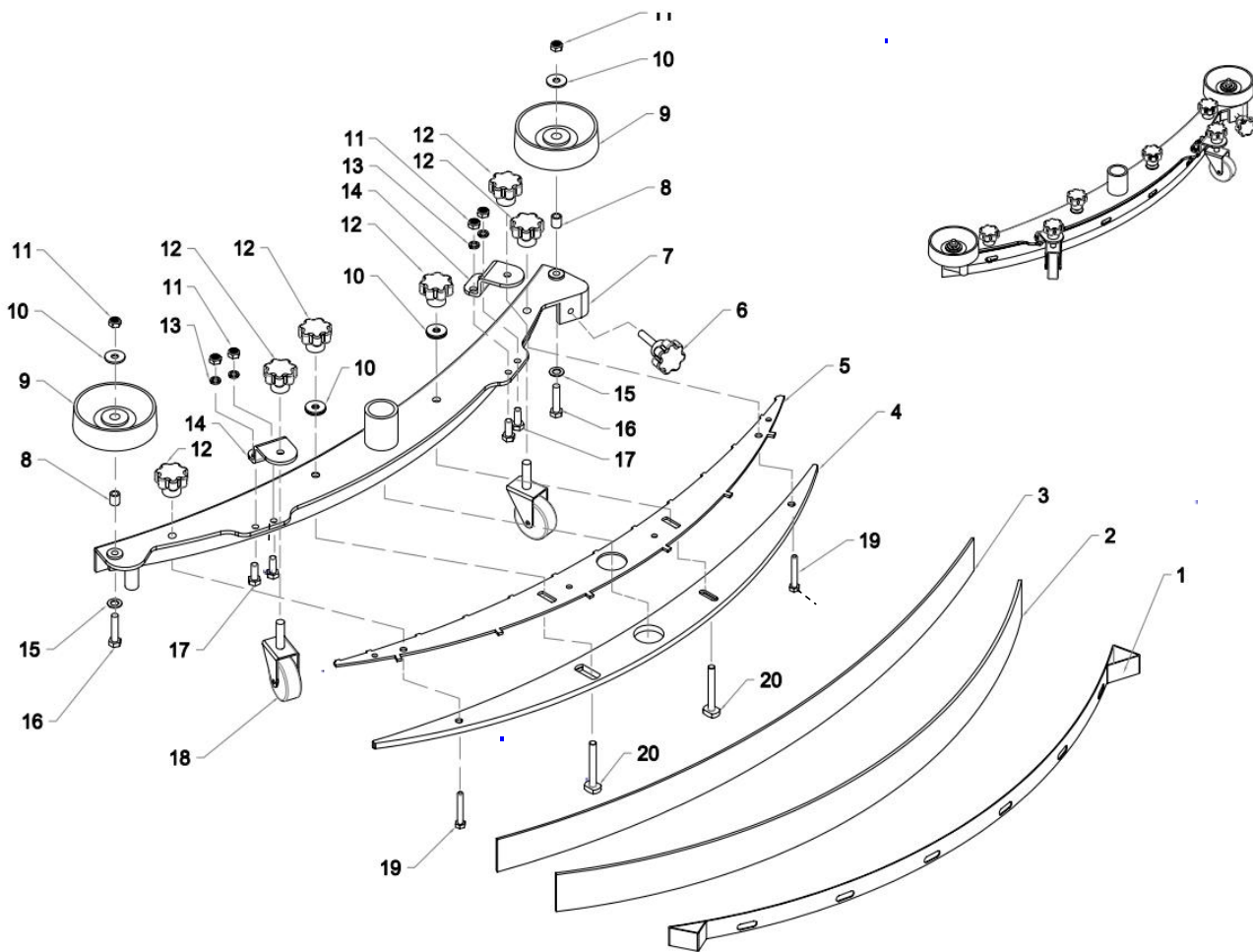


8. NOSE ASSEMBLY

| | | | |
|----|---------|------------------------------------|----|
| 1 | E010111 | Brush Motor 24V 550W-∅ 18 | 1 |
| 2 | H010147 | Washer 4x ∅ 100 | 1 |
| 3 | N010152 | Lock Nut M4 | 2 |
| 4 | N010382 | Gasket ∅ 4 | 2 |
| 5 | E010110 | Solenoid Valve 24V | 1 |
| 6 | N010135 | Screw M4x12 | 2 |
| 7 | N010130 | Lock Nut M8 | 9 |
| 8 | N010126 | Gasket ∅ 8 | 11 |
| 9 | H010255 | Machine head fixed plate 5x435x200 | 1 |
| 10 | P010114 | Knob M8 | 4 |
| 11 | H010247 | Connecting board 5x95x60 | 1 |
| 12 | M010165 | Bushing ∅ 8-∅ 12x10 | 4 |
| 13 | N010121 | Washer ∅ 8 | 5 |
| 14 | N010134 | Bolt M8x30 | 7 |
| 15 | N010127 | Washer ∅ 8-∅ 24x2.0 | 3 |
| 16 | P010112 | Wheel ∅ 100x25 | 2 |
| 17 | M010354 | Bushing ∅ 8-∅ 12x13 | 3 |
| 18 | H010248 | Left and right nose shield | 1 |
| 19 | P010240 | Nose side brush | 2 |
| 20 | N010122 | Gasket ∅ 5 | 20 |
| 21 | N010156 | Screw M5x16 | 12 |
| 22 | N010128 | Lock Nut M5 | 10 |
| 23 | H010248 | Left and right nose shield | 1 |
| 24 | N010318 | Nipple G3/8-∅ 16 | 1 |
| 25 | N010172 | Connector Type I M6 | 1 |
| 26 | N010325 | Gasket ∅ 6 | 5 |
| 27 | N010120 | Washer ∅ 6 | 5 |
| 28 | N010287 | Bolt M6x20 | 1 |

| | | | |
|----|---------|--------------|---|
| 29 | N010118 | Bolt M6x20 | 4 |
| 30 | M020101 | Brush Plate | 1 |
| 31 | H010323 | Retainer | 1 |
| 32 | N010300 | Screw M6x12 | 6 |
| 33 | N010114 | Bolt M8x20 | 1 |
| 34 | P010307 | Brush 21inch | 1 |

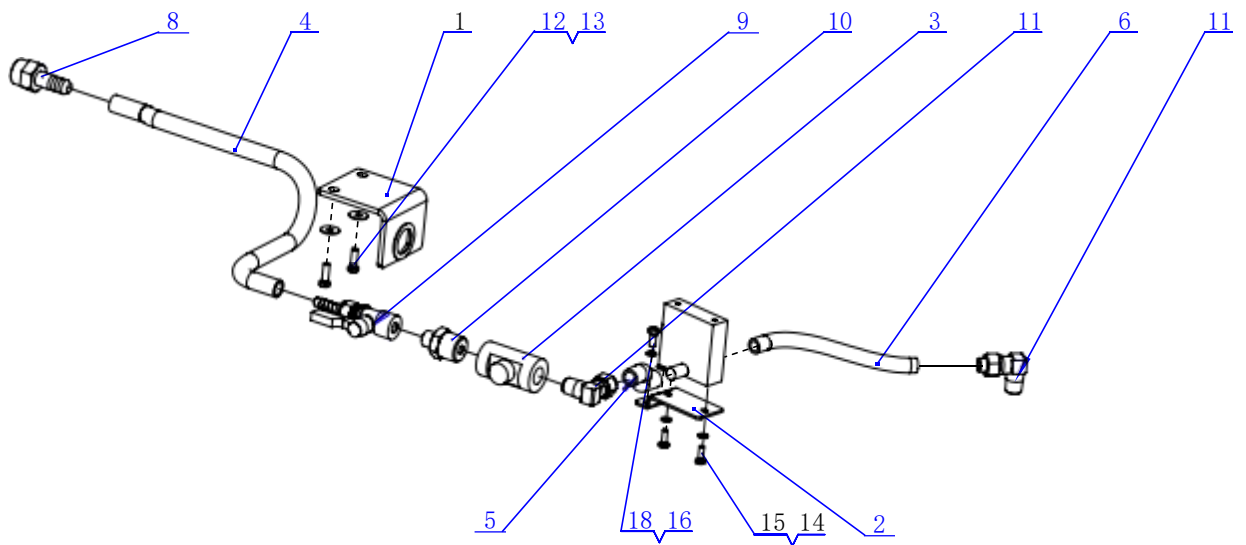
9. SQUEEGEE ASSEMBLY



| | | | |
|---|---------|--|---|
| 1 | H010116 | Steel plate | 1 |
| 2 | P020115 | Rear Rubber 4x855x52 | 1 |
| 3 | P020114 | Front Rubber 4x845x45 | 1 |
| 4 | P020116 | Meniscus | 1 |
| 5 | H010153 | Strip Fixing Plane | 1 |
| 6 | N010150 | Handel M8 | 1 |
| 7 | M020102 | Squeegie body | 1 |
| 8 | M010146 | Bushing \varnothing 8- \varnothing 12x13 | 2 |
| 9 | P010113 | Wheel \varnothing 100x25 | 2 |

| | | | |
|----|---------|--|---|
| 10 | N010127 | Gasket \varnothing 8- \varnothing 24x2.0 | 6 |
| 11 | N010130 | Lock nut M8 | 6 |
| 12 | P010114 | Knob M8 | 6 |
| 13 | N01012 | Washer \varnothing 8 | 4 |
| 14 | H010117 | Wheel Support | 2 |
| 15 | N010126 | Gasket \varnothing 8 | 2 |
| 16 | N010194 | Bolt M8x35 | 2 |
| 17 | N010132 | Bolt M8x20 | 4 |
| 18 | P010118 | Wheel \varnothing 50 | 2 |
| 19 | N010116 | Bolt M8x50 | 2 |
| 20 | N010301 | T-Bolt M8x60 | 2 |

10. WATER ASSEMBLY



| | | | |
|----|---------|---|---|
| 1 | H010119 | VALVE SUPPORT 62*65*44 | 1 |
| 2 | H010109 | SUPPORT 69*12*2 | 1 |
| 3 | P010119 | FILTER 3/8 | 1 |
| 4 | P020170 | The silicone tube | 1 |
| 5 | P020171 | The silicone tube1 | 1 |
| 6 | P020172 | The silicone tube2 | 1 |
| 7 | E010110 | Solenoid valve 24 v | 1 |
| 8 | N010223 | CONNECTOR 1/2 D=12 d=10 | 1 |
| 9 | N010101 | Ball valve | 1 |
| 10 | N010279 | NIPPLE 3/8-1/2 | 1 |
| 11 | N010105 | ELBOW 3/8-12 | 2 |
| 12 | N010156 | SCREW M5X16 A2 | 2 |
| 13 | N010123 | WASHER $\Phi 5 \times \Phi 15 \times 1$ | 2 |
| 14 | N010277 | WASHER $\Phi 4 \times \Phi 8 \times 1$ | 2 |
| 15 | N010135 | SCREW M4*12 A2 | 2 |
| 16 | N010119 | LOCK WASHER M5 A2 | 2 |
| 17 | N010122 | WASHER $\Phi 5 \times \Phi 10 \times 1$ | 2 |
| 18 | N010136 | SCREW M5*12 A2 | 2 |