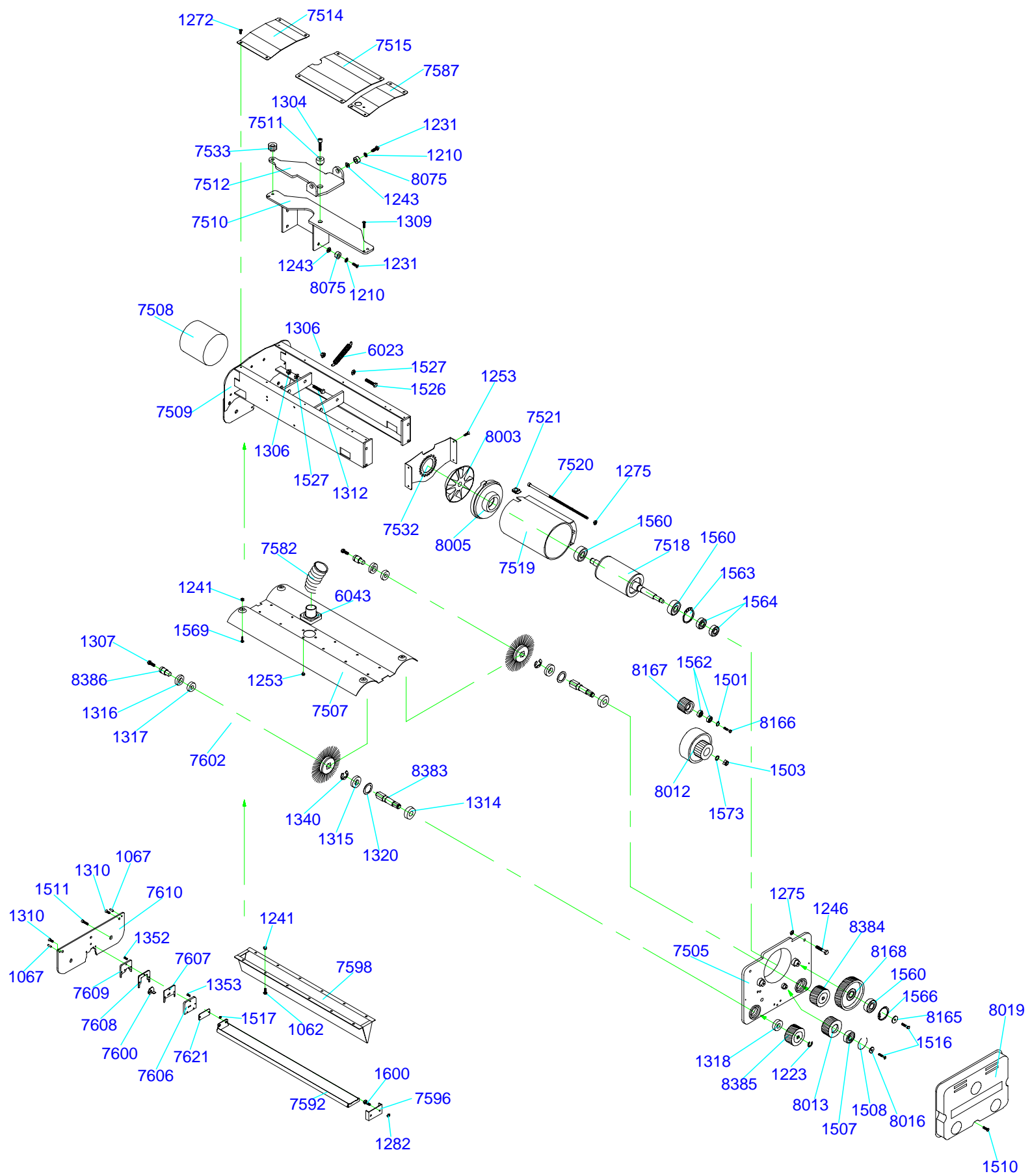




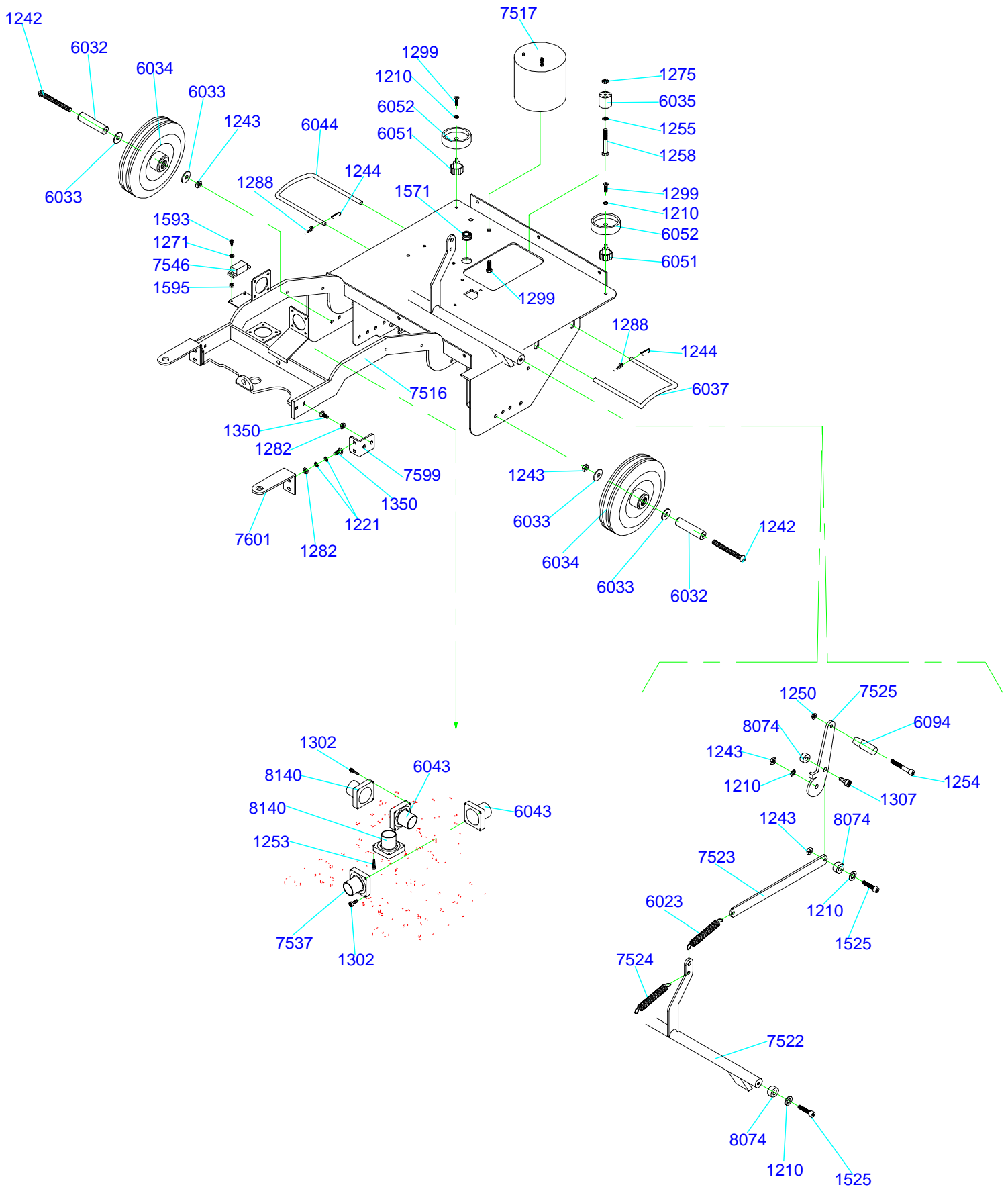
Despiece de fregadora para escaleras mecánicas
KF51EM



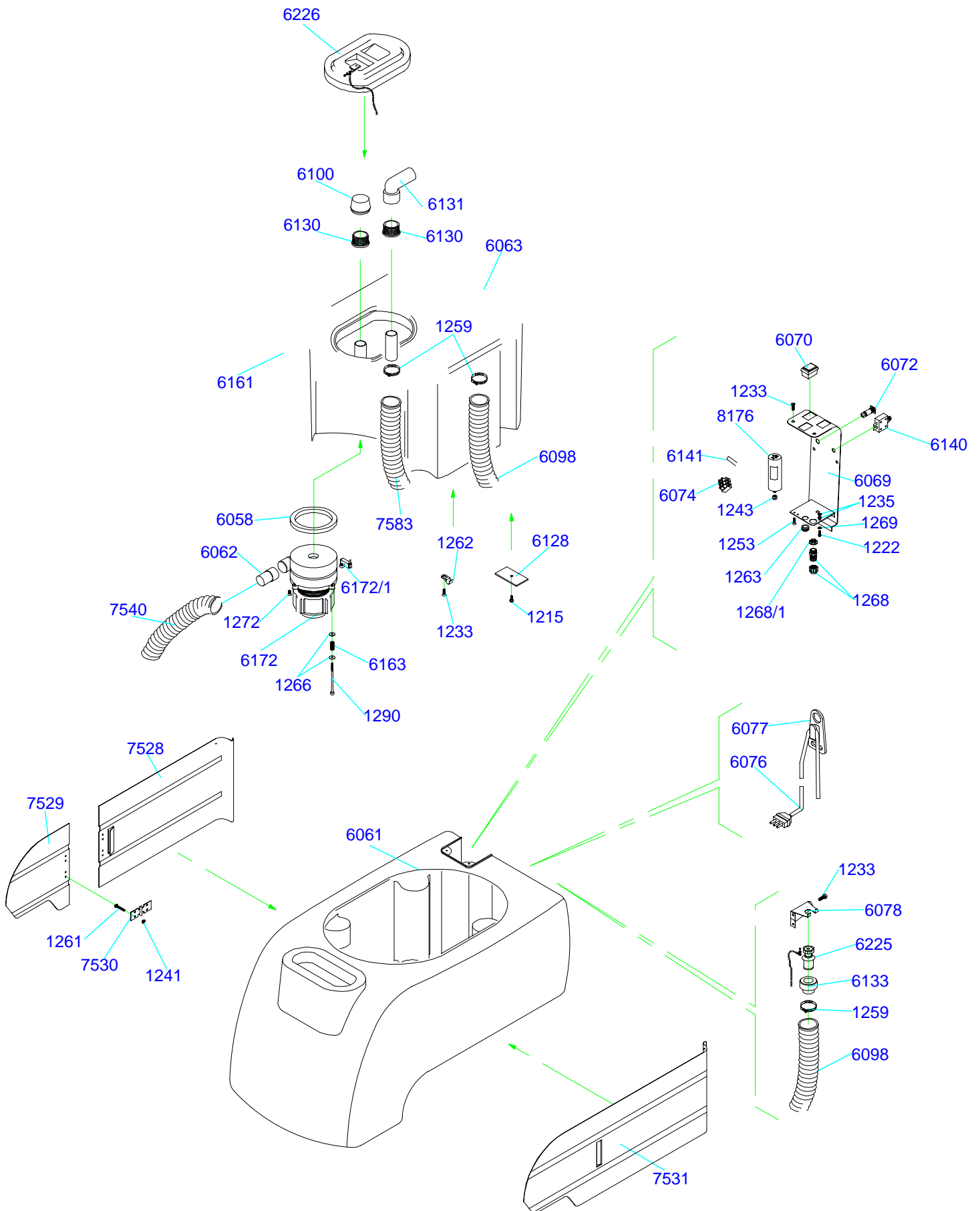
SECCIÓN 1



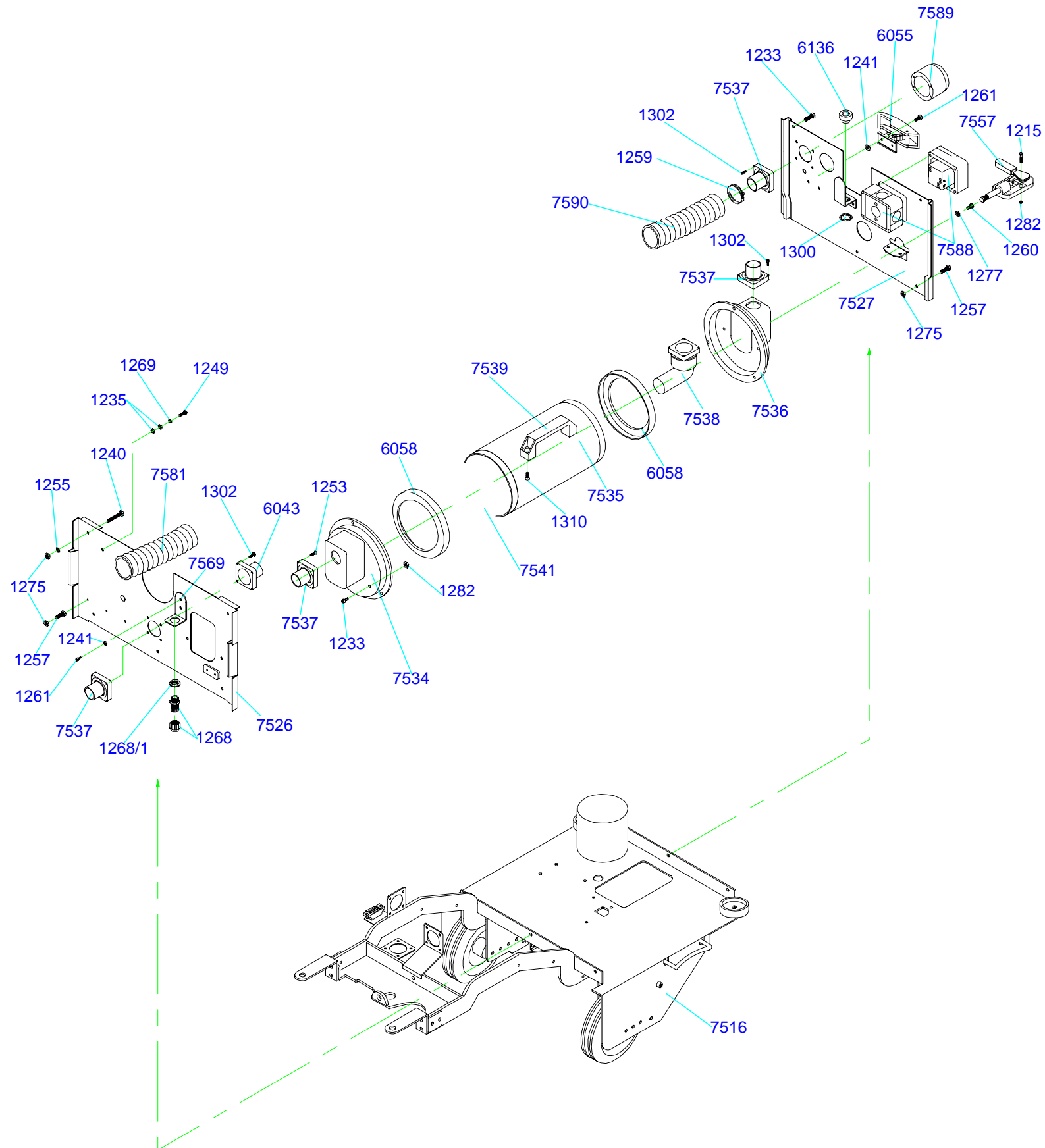
SECCIÓN 2



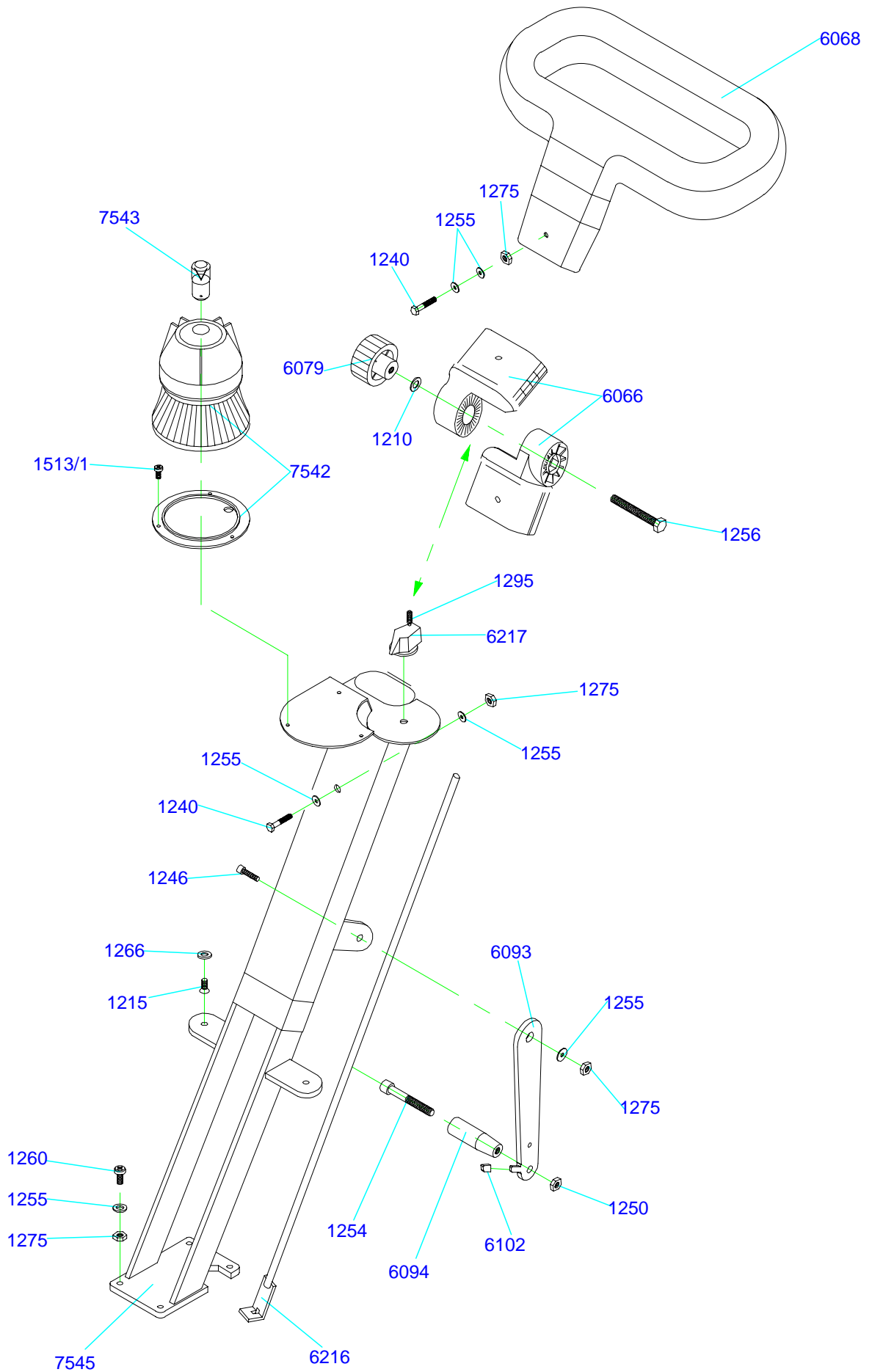
SECCIÓN 3



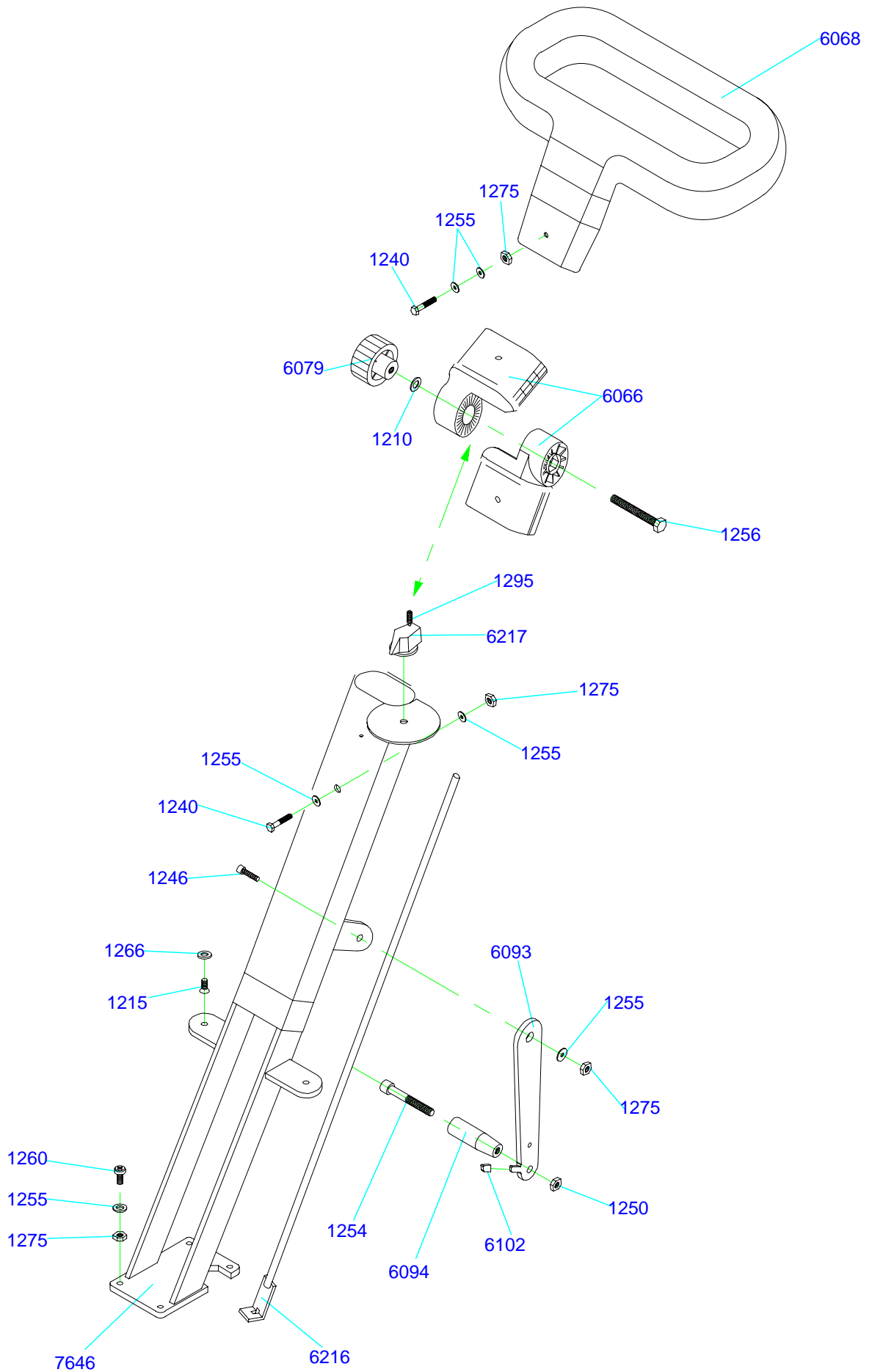
SECCIÓN 4



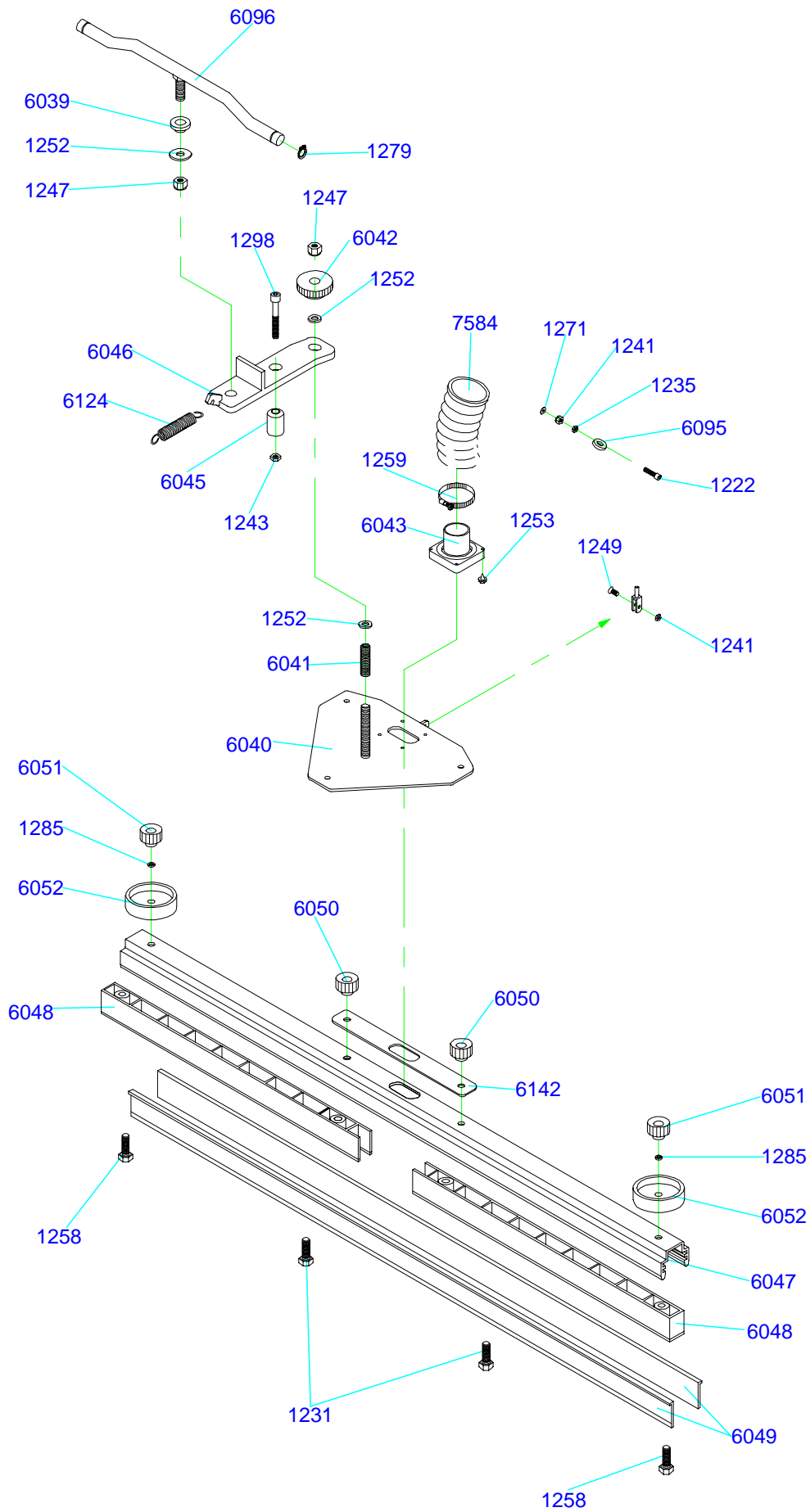
SECCIÓN 5.1



SECCIÓN 5.2

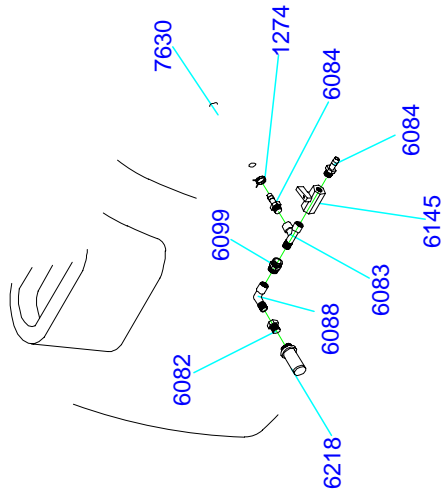


SECCIÓN 6

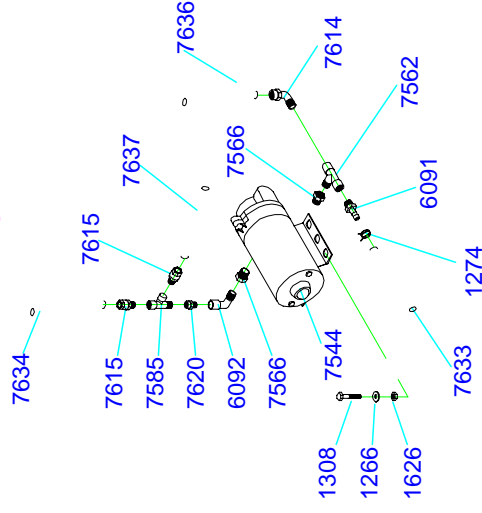


SECCIÓN 7

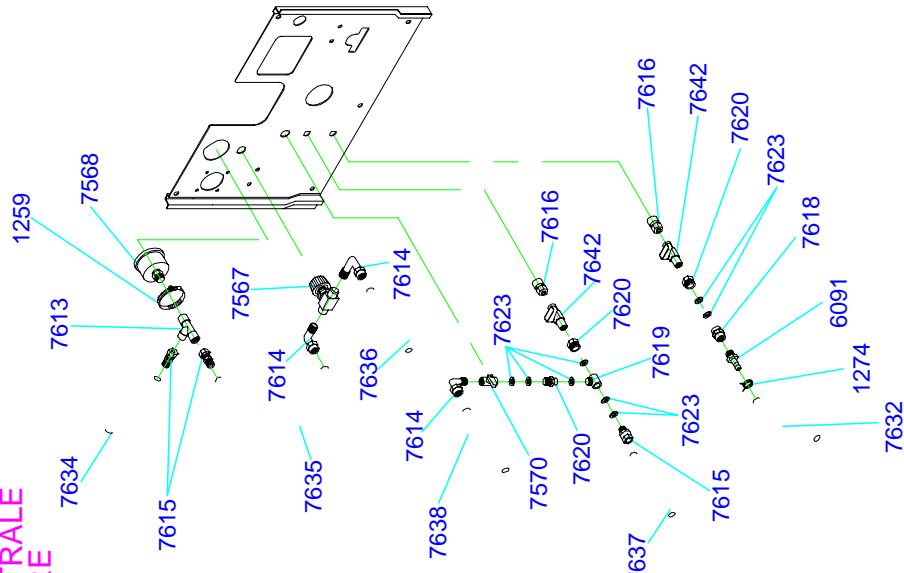
SERBATOIO



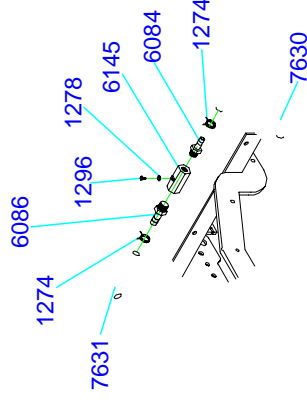
POMPA



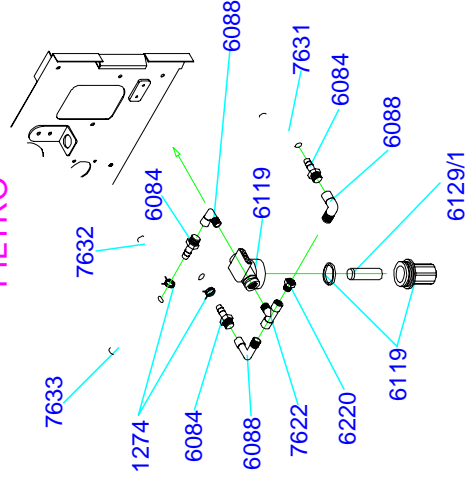
LAMIERA CENTRALE POSTERIORE



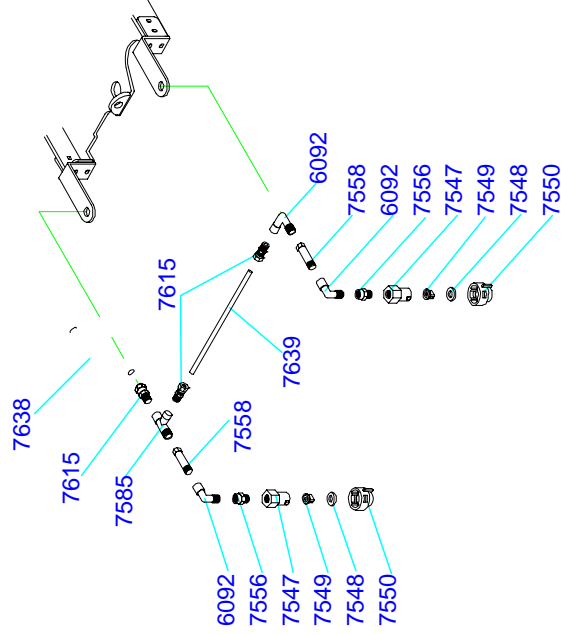
BASE



FILTRO



NEBULIZZATORE



COD.	UDS.	SECCIÓN	DESCRIZIONE	DESCRIPTION
				

1062	12	1	VITE INOX TE M.4 X 6	TE M.4 X 6 STAINLESS STEEL SCREW
1067	2	1	SPINA SPIROL ø 4 X 12 INOX	ST. ST. PIN ø 4 X 12
1210	12	1,2,5	RONDELLA PIANA ø 8 INOX	ø 8 STAINLESS STEEL FLAT WASCHER
1215	5	2,4,5	VITE TCEI M.5 X 12 INOX	TCEI M.5 X 12 ST. ST. SCREW
1221	8	2	RONDELLA PIANA INOX ø 5	ø 5 STAINLESS STEEL FLAT WASHER
1222	2	3,6	VITE TC. CROCE M.4 X 18 INOX	TC M.4 X 18 CROSS SCREW
1223	2	1	SEEGER E. ø 12	EXTERNAL SEEGER ø 12
1231	9	1,6	VITE TE M.8 X 25 INOX	TE M.8 X 25 STAINLESS STEEL SCREW
1233	10	2,3,4	VITE TC. CROCE M.5 X 12 INOX	TC M.5 X 12 STAINLESS STEEL CROSS SCREW
1235	4	3,4,6	DADO INOX M.4	STAINLESS STEEL M.4 NUT
1240	3	4,5	VITE TE M.6 X 40 ZNT UNI 5737	TE M.6 X 40 ZNT SCREW
1241	20	1,3,4	DADO BLOK M.4 ZNT	M.4 ZNT BLOCH NUT
1242	2	2	VITE TBEI M.8 X 80 ZNT	TBEI M.8 X 80 ZNT CROSS SCREW
1243	16	1,2,3	DADO BLOK M.8 BASSO ZNT	M.8 LOW BLOCH NUT
1244	2	2	COPPIGLIA SEMPL. F.2 - LL.35 ZNT H/1BIS	SIMPLE SPLIT PIN
1246	4	1,5	VITE VSP M.6 X 18 INOX	VSP M.6 X 18 STAINLESS STEEL SCREW
1247	1	6	DADO BLOK M.12 BASSO ZNT	M.12 LOW BLOCH NUT
1249	1	4,6	VITE TC. CROCE M.4 X 12 INOX	TC M.4 X 12 STAINLESS STEEL CROSS SCREW
1250	2	2,5	DADO M.8 INOX 5589	M.8 STAINLESS STEEL NUT
1252	4	4,6	RONDELLA OT ø 12 SP. 2,5	OT ø 12 THICK. 2,5 WASHER
1253	20	1,2,3,4,6	VITE AUT. TE - FR 3,9 X 9,6	TE - FR 3,9 X 9,6 SELF - THREAD. SCREW
1254	2	2,5	VITE TCEI M.8 X 50 ZNT UNI 5931	TCEI M.8 X 50 ZNT SCREW
1255	12	2,4,5	RONDELLA PIANA ø 6 INOX	ø 6 STAINLESS STEEL FLAT WASHER
1256	1	5	VITE TE M.8 X 60 INOX	TE M.8 X 60 SCREW
1257	6	2,4	VITE TC CROCE M.6 X 12 INOX	TC M.6 X 12 STAINLESS STEEL CROSS SCREW
1258	3	2,6	VITE TE M.6 X 25 INOX	TE M.6 X 25 STAINLESS STEEL SCREW
1259	4	3,4,6	FASCETTA A VITE 25/40	JUBILEE CLIP 25/40
1260	4	4,5	VITE TE M.6 X 18 INOX	TE M.6 X 18 STAINLESS STEEL SCREW
1261	8	3,4	VITE TC CROCE M.4 X 8 INOX	TC M.4 X 8 STAINLESS STEEL CROSS SCREW
1262	2	3	STAFFA FISSAGGIO IMPIANTO ELETTRICO	ELECTRIC SYSTEM FIXING CLAMP
1263	1	3	PASSACAVALO	FAIRLEAD
1266	10	3,5,7	RONDELLA PIANA ø 5 X 15 F.L. ZNT UNI 6593	ø 5 X 15 ZNT FLAT WASHER
1268	1	3	STRINGICAVO PG 11	PG 11 CABLE WRENCH
1269	2	3,4	RONDELLA DENTATA ø 4	ø 4 SERRATED WASHER
1271	3	2,6	RONDELLA PIANA ø 4	ø 4 FLAT WASHER
1272	11	1,3	VITE AUT. KF 3,9 X 6,5 INOX	KF ø 3,9 X 6,5 STAINLESS ST SELF - THR. SCREW
1274	11	7	FASCETTE BIFILARI ø 13,7 ZNT FA - 10137	PIPE WRENCH
1275	21	1,2,4,5	DADO BLOK M.6 BASSO ZNT	M.6 ZNT LOW BLOCH NUT
1277	2	4	DADO M.6 ZNT	M.6 ZNT NUT
1278	1	7	RONDELLA PIANA ø 4 X 12 UNI 6593 INOX	ø 4 X 12 FLAT WASHER
1279	2	6	SEEGER E. ø 17	EXTERNAL SEEGER ø 17
1282	6	1,2,4	DADO BLOK M.5	M.5 BLOCH NUT
1285	4	6	RONDELLA DENTELLATA M.6 - 6.4 ZNT	M.6 - 6.4 ZNT WASHER
1287	2	1	VITE TE INOX M.5 X 22	TE M.5 X 22 STAINLESS STEEL SCREW
1288	4	2	GANCIO GRANDE A27002	A27002 LARGE HOOK
1290	3	3	VITE TCEI M.5 X 100 ZNT	M.5 X 100 ZNT TCEI SCREW
1295	1	5	VITE GRANO M.4 X 14	M.4 X 14 SCREW GRAIN
1296	1	7	VITE TC CROCE M.3 X 6 INOX	TC M.3 X 6 STAINLESS STEEL CROSS SCREW
1298	1	6	VITE VSP M.8 X 55 ZNT	VSP M.8 X 55 SCREW
1299	2	2	VITE TE M.6 X 16 ZNT	TE M.6 X 16 ZNT SCREW
1300	1	4	SEEGER TIPO ZA ø 16	ZA SEEGER ø 16
1302	16	2,4	VITE AUT. KF 3,9 X 22,2 ZNT	AUT. KF 3,9 X 22,2 ZNT SCREW
1304	1	1	VITE TCEI M.12 X 30 ZNT	M.12 X 30 ZNT TCEI SCREW
1305	10	1	FASCETTA A VITE ø 8 - 14 DIN 3017 ZNT	ø 8 - 14 DIN 3017 ZNT SCREW WRENCH
1306	3	1	DADO CIECO OTTONE M.8 UNI 5721	M. 8 UNI 5721 BLIND DICE BRASS
1307	2	1,2	VITE VSP M.8 X 20 INOX	VSP M.8 X 20 STAINLESS ST. SCREW
1308	4	7	VITE TE M.5 X 30 ZNT	TE M.5 X 30 ZNT SCREW
1309	2	1	VITE TCEI M.6 X 8 ZNT	TCEI M.6 X 8 ZNT SCREW
1310	6	1,4	VITE VSP M.5 X 12 INOX	VSP M.5 X 12 STAINLESS STEEL SCREW
1312	2	1	VITE TE M.8 X 30 INOX	TE M.8 X 30 STAINLESS STEEL SCREW
1314	2	1	CUSCINETTO 15 X 35 X 11 (6202 2RS)	15 X 35 X 11 (6202 2RS) BEARING
1315	2	1	ANELLO TENUTA RP ø 17 X 35 X 7	RP ø 17 X 35 X 7 HELD RING
1316	2	1	ANELLO TENUTA RP ø 17 X 30 X 7	RP ø 17 X 30 X 7 HELD RING
1317	2	1	CUSCINETTO 12 X 28 X 8 (6001 2RS)	12 X 28 X 8 (6001 2RS) BEARING
1318	2	1	CUSCINETTO 15 X 32 X 9 (6002 2RS)	15 X 32 X 9 (6002 2RS) BEARING
1320	2	1	SEEGER TIPO PS ø 25 X 35 SP 1	PS ø 25 X 35 SP 1 SEEGER TIP
1340	2	1	SEEGER E ø 15 RS RADIALE	ø 15 RS RADIAL EXTERNAL SEEGER
1350	8	2	VITE T/T QUADRO SOTTOTESTA M.5 X 16	T/T M.5 X 16 SCREW
1352	3	1	VITE VSP ø 4 X 22 INOX	VSP ø 4 X 22 INOX SCREW
1353	2	1	VITE TCEI M.4 X 10 INOX	TCEI M.4 X 10 STAINLESS STEEL SCREW
1501	3	1	SEEGER I. ø 19 DIN 472	INTERNAL SEEGER ø 19
1502	1	1	RONDELLA ø 12 X 18 SP.1 DIN 988	ø 12 X 18 SP.1 WASHER
1503	1	1	DADO M.10 SINISTRO	M.10 LEFT NUT
1507	1	1	CUSCINETTO (6301 2RS)	6301 2RS BEARING

			DESCRIZIONE 	DESCRIPTION 
--	--	--	--	--

1508	1	1	SEEGER I SB ø 37	SB INTERNAL SEEGER ø 37
1510	3	1	VITE TC CROCE M.5 X 8 INOX	TC M.5 X 8 CROSS SCREW
1511	3	1	VITE TPSEI M.6 X 12 INOX	TPSEI M.6 X 12 STAINLESS STEEL SCREW
1513/1	3	5	VITE AUT. KF 3.9 X 13 INOX	AUT. KF 3.9 X 13 INOX SCREW
1516	3	1	VITE TE M.6 X 18 INOX	TE M.6 X 18 STAINLESS STEEL SCREW
1517	5	1	DADO BLOK M.4 ZNT DIN 985 BASSO	ZNT M.4 LOW BLOCH NUT
1525	3	2	VITE TE M.8 X 20 INOX	TE M.8 X 20 STAINLESS STEEL SCREW
1526	1	1	VITE TCEI M.8 X 35 ZNT	TCEI M.8 X 35 ZNT SCREW
1527	3	1	DADO M.8 ZNT	ZNT M.8 NUT
1560	4	1	CUSCINETTO (6203 2RS)	6203 2RS BEARING
1562	6	1	CUSCINETTO (607)	607 BEARING
1563	1	1	SEEGER I ø 32	INTERNAL SEEGER ø 32
1564	2	1	CUSCINETTO (6201 2RS)	6201 2RS BEARING
1566	2	1	SEEGER I ø 40	INTERNAL SEEGER ø 40
1569	4	1	VITE TE M.4 X 10 INOX	TE M.4 X 10 STAINLESS STEEL SCREW
1571	1	2	PASSACAVO NERO COD. 2080 15 X 18	15 X 18 BLACK CHOCK COD. 2080
1573	1	1	RONDELLA PIANA ø 10 INOX	ø 10 STAINLESS STEEL FLAT WASHER
1593	2	2	VITE TC CROCE INOX M.3 X 12	TC M.3 X 12 STAINLESS STEEL SCREW
1595	2	2	DADO M.3 INOX	STAINLESS STEEL M.3 NUT
1600	2	1	VITE TE M.5 X 16 INOX	TE M.5 X 16 STAINLESS STEEL SCREW
1626	4	7	DADO CIECO M.5 OTTONE	BLIND DICE M.5 OTTONE
6023	3	1,2	MOLLA TR.F. 2.80 - 16.5 LEO 80 INGL.Z	TR F. 2.80 - 16,5 SPRING
6032	2	2	PERNO RUOTA ø 20 X 69	WHEEL PIN ø 20 X 69
6033	6	2	RONDELLE ø 20 X 35	ø 20 X 35 WASHER
6034	2	2	RUOTA SE. PMR ø 200 X 50 F. 20 X 60	SE PMR ø 200 X 50 WHEEL
6035	1	2	TAMPONE PVC ø 30 H 25 MOD. 3103	PVC STOPPER ø 30 H 25
6037	1	2	MANIGLIA LATERALE SX ø 10	PVC STOPPER ø 30 H 25
6039	1	6	BRONZINA OTTONE ø 22 TIMONE	RUDDER BUSHING ø 22
6040	1	6	SUPPORTO TERGI	WIPER SUPPORT
6041	1	6	MOLLA TERGI PR F.2,5 - 18 - 55 - 7,5 TDM INOX	WIPER SPRING
6042	1	6	GHIERA REG. TERGI ø 25 M.12 MOD. 1073/FP	WIPE REGULATION RING NUT ø 25
6043	5	1,2,4,6	RACCORDO PLASTICA ø 35 TERGI	WIPE CONNECTOR ø 35
6044	1	2	MANIGLIA LATERALE DX ø 10	RIGHT SIDE HANDLE ø 10
6045	1	6	DISTANZIALE ø 18 PER SNODO	ARTICULATED JOINT SPACER ø 18
6046	1	6	TIMONE	RUDDER
6047	1	6	PROFILO ALLUMINIO TERGIPAVIMENTO	ALUMIN. FLOOR WIPE CONTOUR
6048	2	6	DISTANZIALE INTERNO TERGI	WIPE INTERNAL SPACER
6049	2	6	GOMMA TERGI	WIPE RUBBER
6050	2	6	VOLANTINO TERMOP. MOD. 1052/F ø 30 M.8	ø 25 M.8 WIPE CONNCTION
6051	4	2,6	VOLANTINO ø 30 M.6 MOD. 1052/F	ø 30 M.6 HANDWHEEL
6052	4	2,6	RUOTA RIPARO ø 70	ø 70 SAFETY GUARD WHEEL
6055	5	4	MANIGLIA DI AGGANCIO	DCKING HANDLES
6058	3	3	GUARNIZIONE MW S 1	MWS1 GASKET
6060	1	3	TUBO EVAFLEX NERO ø 38	ø 38 BLACK EVEFLEX PIPE
6061	1	3	SERBATOIO SOLUZIONE COLORE GIALLO	CLEAN WATER SOLUTION TANK
6062	1	3	RACCORDO USCITA ASPIRATORE	OUTLET UNION ON THE TANK
6063	1	3	SERBATOIO RECUPERO	DIRTY WATER TANK
6066	2	5	SNODO DI REGOLAZIONE	REGULATION JOINT
6068	1	5	IMPUGNATURA MANICO RIVESTIMENTO POLIURETANO	HANDLE HANDGRIP
6069	1	3	QUADRO COMANDI ELETTRICI 230/50	CONTROL BOARD 230/50
6070	3	3	INTERRUTTORE BIPOLARE LUMINOSO TVF/CN/G-B01 230 V	LUMINOUS BIPOLAR SWITCH
6072	1	3	SEGNALE LUMINOSO MD - 11 VERDE FLUORES. 230V	MD11 FLUOR. GREEN LUMINOUS SIGN
6074	2	3	MORSETTIERA PA - 44 - 3 - WP	PA - 44 -3 -WP TERMINAL BOARD
6076	1	3	CAVO ELETTRICO 18 MT CON SPINA SHUCO	18 MT. ELECT. CABLE WITH PLUG
6077	1	3	STAFFA PROTEZIONE CAVO	CABLE PROTECTION BRACKET
6078	1	3	PIASTRINA STAFFA CAVO 10/10 TUBO SCARICO	10/10 CABLE PLATE BRACKET
6079	1	5	VOLANTINO MAN. ø 50 M.8 1052/F	50 M.8 HANDLE HANDWHEEL
6082	1	7	RIDUZIONE DA 3/8 M - 1/4 F	REDUCING FROMN 3/8 M TO 1/4 F
6083	1	7	RACCORDO T MASCHIO LAT.1/4	T MALE UNION
6084	6	7	PORTAGOMMA M.CONICO 1/4 ø 9	1/4 ø 9 HOSE HOLER
6086	1	7	PORTAGOMMA M.CILINDR. C/OR 1/4	1/4 ø 9 HOSE HOLDER
6088	4	7	RACCORDO L M-F 1/4	L M-F 1/4 UNION
6091	2	7	PORTAGOMMA 1/8 ø 9	1/8 ø 9 HOSE HOLDER
6092	2	7	RACCORDO L M - F 1/8	L M-F 1/8 UNION
6093	1	5	LEVA COMANDO FILO	WIRE CONTROL LEVER
6094	2	2,5	MANOPOLA GIREVOLE ø 21 L. 48 ø 8 MOD. 1034/FP	WIPE REGULATION KNOB
6095	1	6	FORCELLA OCCHIELLO E CAVO	WIPE CONTROL CABLE
6096	1	6	ALBERO TERGI CON VITE	WIPE SHAFT WITH SCREW
6098	1	3	TUBO FLESSIBILE SCARICO	L 600 OUTLET FLEXIBLE PIPE
6099	1	7	NIPPLO CONICO DA 1/4	1/4 CONICAL NIPPLE
6100	1	3	FONDEL. CEST. Ø 60 COD. 302019.020 COLORE NERO	SUCTION MOTOR FILTER
6102	1	5	PROT. VERN. ESP - 06 - M.6 H.21 VERDE	RUBBER STOP
6119	1	7	ACQUA - MICRO 1/4 F VASO TRASPARENTE	1/4 FIMALE FILTER CASING
6124	1	6	MOLLA TERGI BASE TR. F.2,5 -19 - CM. 90 - LEO. 124 ZNT	BASE SPRING WIPE

			DESCRIZIONE	DESCRIPTION
				

6128	2	3	STAFFA SERBATOIO AP - AS 40 X 4 X 75	CLEAN / DIRTY WATER TANK BRACKET
6129/1	1	7	CARTUCCIA RIC. ACQUA MICRO	CARTRIDGE RIC. WATER MICRO
6130	3	3	MORSETTO C. T / M. S 1553 1 + 1/4 40/46	C. T / M. S. CLAMP
6131	1	3	CURVA TECN. SG A. 808 HTSW ø 40 X 1+1/4	DIRTY WATER DIRECTIONAL CURVE
6133	1	3	RACCORDO TUBO FLESSIBILE SCARICO	OUTLET FLEXIBLE PIPE UNION
6136	1	4	BOCCOLA PLASTICA ø 17 GUIDA FILO	ø 17 PLAST. CABLE DRIVING BUSHI
6140	1	3	INTERRUTTORE TERMICO K700 4A COMP. E CAPPUCCIO	THERMAL SWITCH K700 4A COMP. AND POINTED HOOD
6141	1	3	CONDENSATORE ANTIDISTURBO	ANTIJAMMING CONDENSER
6142	1	6	GOMMA ADESIVA TERGI SP.2	ADHESIVE FLOOR WIPER RUBBER
6145	2	7	VALVOLA SFERA 1/4 F - F COD.010100101	1/4 F - F COD.010100101 VALVE SPHERE
6161	1	3	ANELLO TENUTA SERBATOIO ø 6	ø 6 HELD RING TANK
6163	3	3	MOLLA PR F.1.2 - 10.4 LL 25 - SP6 TD	PR F.1.2 - 10.4 LL 25 - SP6 TD SPRING
6172	1	3	MOTORE ASP. 230V 800W TANG. H.30 CL.2 8136	230V 800W TANG. H.30 CL.2 8136 ASPIRATION MOTOR
6172/1	1	3	SPAZZOLA CARB. 230V CUSTODIA PLASTIC MOTORI	BRUSH CARB. 230V MOTOR GUARD PLASTIC
6216	1	4	ASTA COMANDO RUBINETTO 495	TAP PISTON ROD. 495
6217	1	5	POMELLO AD IND. MI / 32 / BLC - ø 6,3 M.4	KNURL TO IND. ME/32/BLC - ø 6,3 M.4
6218	1	7	FILTRO MASCHIO 3/8 GAS STANDARD	KNURL TO IND. ME/32/BLC - ø 6,3 M.4
6220	1	7	RIDUZIONE CONICA 1/4M - 1/4F	1/4M - 1/4F CONICAL REDUCTION
6225	1	1	TAPPO SCARICO COMPLETO	STOPPER COMPLETE DRAINAGE
6226	1	1	COPERCHIO ACQUA SPORCA TRASPARENTE	COVER TRANSPARENT DIRTY WATER
7505	1	1	FIANCATA SINISTRA TRASMISSIONE LC SCALA MOBILE C	LEFT FLANK TRANSMISSION LC SLIDING SCALE C
7507	1	1	CARTER PROTEZIONE SPAZZOLE INOX 10/10	CARTER PROTECTION BRUSHES INOX 10/10
7508	1	1	PESO ANTERIORE BILANCIAMENTO ø 110 H	ø 110 H FRONT WEIGHT BALANCE
7509	1	1	TELAIO SUPPORTO MOTORE ANTERIORE	CHASSIS FRONT MOTOR SUPPORT
7510	1	1	SUPPORTO GIREVOLE PER TELAI0	REVOLVING SUPPORT FOR CHASSIS
7511	1	1	BRONZINA OTTONE ø 22 H.D.16 X 6.8	BEARING BRASS ø 22 H.D.16 X 6.8
7512	1	1	SUPPORTO BASCULANTE	BALANCING SUPPORT
7514	1	1	COPERTURA DX CORTA INOX 10/10	SHORT COVER DX INOX 10/10
7515	1	1	COPERTURA SX LUNGA INOX 10/10	SHORT COVER SX INOX 10/10
7516	1	2,4	CARRO POSTERIORE COMPLETO	COMPLETE POSTERIOR WAGON
7517	1	2	PESO CARRO POSTERIORE ø 110 H 110	WEIGHT POSTERIOR WAGON ø 110 H 110
7518	1	1	ALBERO MOTORE CON ROTORE	DRIVE SHAFT WITH ROTOR
7519	1	1	PACCO STATORE CON TUBO L.180	PACKAGE STATOR WITH L.180 TUBE
7520	3	1	TIRANTE MOTORE ZNT L.242	PULLING MOTOR ZNT L.242
7521	1	1	PASSACAVO TUBO MOTORE	CHOCK MOTOR TUBE
7522	1	2	ALBERO FRENO COMPLETO	TREE COMPLETE BRAKE
7523	1	2	COLLEGAMENTO LEVA E MOLLA	CONNECTION LEVER AND SPRING
7524	1	2	MOLLA TRAZ. F.1.5	SPRING TRAZ. F. 1.5
7525	1	2	LEVA COMANDO FRENO	BRAKE LEVER CONTROL
7526	1	4	DIVISORIA ANTERIORE	DIVIDING FRONT
7527	1	4	DIVISORIA POSTERIORE	DIVIDING POSTERIOR
7528	1	3	COPERCHIO LATERALE DESTRO	RIGHT LATERAL COVER
7529	1	3	SPORTELLINO LATERALE DESTRO	SKILLFUL LATERAL DOOR
7530	2	3	CERNIERE	HINGES
7531	1	3	COPERCHIO LATERALE SINISTRO	LEFT LATERAL COVER
7532	1	1	PROTEZIONE VENTOLA INOX 10/10	PROTECTION IMPELLER INOX 10/10
7533	1	1	POMELLO M.8 X 13	KNOB M.8 X 13
7534	1	4	CONVOGLIATORE ANTERIORE	FRONT CONVEYOR
7535	1	4	TUBO ASPIRAZIONE ø 140 L.260	TUBE ASPIRATION ø 140 L.260
7536	1	4	CONVOGLIATORE POSTERIORE	POSTERIOR CONVEYOR
7537	5	4	RACCORDO ø 35 FORI ø 4,5	PIPE UNION ø 35 HOLES ø 4.5
7538	1	4	RACCORDO ø 39 - MORSETTO - CURVA TEC.	PIPE UNION ø 39 - CLIP - CURVE TEC.
7539	1	4	MANIGLIA MOD. MNG 1 / 120 / BFC - M.5	HANDLE MOD. MNG 1/120/BFC - M.5
7540	1	3	TUBO EVAFLEX NERO ø 1,38	BLACK TUBE EVAFLEX ø 1.38
7541	1	4	SACCHETTO TENUTA POLVERE	HELD BAG POWDER
7542	1	5	MICROLAMP 230/50 CA ROS. MT LAM	MICROLAMP 230/50 CA ROS. MT LAM
7543	1	5	LIR35 LAMP. BA15 16 X 35 230V	LIR35 LAMP. BA15 16 X 35 230V
7544	1	7	POMPA SH - 8095 - 902 - 260 230V 50HZ	PUMP SH - 8095 - 902 - 260 230V 50HZ
7545	1	5	MANICO BASE COMPLETO	COMPLETE HANDLE BASE
7546	1	2	CALAMITA	MAGNET
7547	2	7	PORTA NEBULIZZATORE BQJ 1/4 T - NYB	1/4 SPRINKLER DOOR BQJ T - NYB
7548	2	7	GUARNIZIONE NERA PER GHIERA - UGELLO CP1	BLACK PACKING FOR METAL RING - NOZZLE CP1
7549	2	7	UGELLO TEEJET INOX TP8001-EVS	NOZZLE TEEJET INOX TP8001-EVS
7550	2	7	KID GHIERA + GUARNIZIONE NERA 25612 - 1	KID BLACK METAL RING + PACKING 25612 - 1
7555	6	7	RACCORDO PER TUBO FLESIBILE ø 35 EST.40	UNION FOR TUBE FLESIBILE ø 35 EST.40
7556	2	7	RIDUZIONE CONICA M. 1/4 - F. 1/8	CONICAL REDUCTION M. 1/4 - F. 1/8
7557	1	4	MORSETTO	SCREW CLAMP
7558	2	7	PROLUNGA CIL.M/F 1/8	EXTENSION CIL.M/F 1/8
7562	1	7	RACCORDO A T M.CENTRALE 1/8	1/8 UNION T M.CENTRAL
7566	2	7	RIDUZIONE CONICA M. 3/8 F 1/8	CONICAL REDUCTION M. 3/8 F 1/8
7567	1	7	VALVOLA SERIE 28 F.1/8 COD. 2839	VALVE 28 SERIES F.1/8 COD. 2839
7568	1	7	MANOMETRO DN40 P 16 B/P 1/8 GC	GAUGE DN40 P 16 B/P 1/8 GC
7569	1	4	STAFFA PER PG 11	STIRRUP FOR PG 11
7570	1	7	VALVOLA AIGNEP 1/8 - 1/8	VALVE AIGNEP 1/8 - 1/8

			DESCRIZIONE 	DESCRIPTION 
--	--	--	--	--

7581	1	4	TUBO FLESSIBILE ø I. 35 A TUBO ø 140	FLEXIBLE TUBE ø I. 35 TO TUBE ø 140
7582	1	1	TUBO FLESSIBILE ø I. 35 A GRUPPO SPAZZOLE	FLEXIBLE TUBE ø I. 35 TO GROUP BRUSHES
7583	1	3	TUBO FLESSIBILE ø I. 35 COMUNE	FLEXIBLE TUBE ø I. 35 COMMON
7584	1	6	TUBO FLESSIBILE ø I. 35 A TERGI	FLEXIBLE TUBE ø I. 35 To TERGI
7585	2	7	RACCORDO T MASCHIO LATERALE 1/8	1/8 T LATERAL MALE UNION
7586	2	7	RACCORDO DIR. OGIVA 1/8 9480 6 - 1/8	UNION DIR. OGIVE 1/8 9480 6 - 1/8
7590	1	4	TUBO FLESSIBILE ø 35 ASPIRAZIONE POSTERIORE	FLEXIBLE TUBE ø 35 POSTERIOR ASPIRATION
7592	1	1	CONTENITORE RACCOLTA INOX	CONTAINER COLLECTION INOX
7596	1	1	SUPPORTO SINISTRO PER CONT. RACCOLTA 20/10 INOX	LEFT SUPPORT FOR CONT. COLLECTION 20/10 INOX
7598	1	1	CANALE ASPIRAZIONE 12/10 INOX SALDATO	CHANNEL KNIT ASPIRATION 12/10 INOX
7599	2	2	STAFFA A LONGHERONE DX SX 40/10 INOX	SPAR STIRRUP DX SX 40/10 INOX
7600	1	1	LEVA BLOCCAGGIO CONTENITORE	LEVER BLOCKING CONTAINER
7601	2	2	STAFFA A NEBULIZZATORE	STIRRUP SPRAY
7602	2	1	SPAZZOLA SCALA MOBILE 513 NERA 0.25	ESCALATOR BLACK BRUSH 513 D.25
7606	1	1	LAMIERA FONDO 50/10 INOX PER LEVA	LEVER BOTTOM METAL SHEET INOX 50/10
7607	1	1	LAMIERA SPESSORE CONTENITORE 20/10 INOX	INOX METAL SHEET CONTAINER 20/10
7608	1	1	LAMIERA DISTANZIALE LEVA 25/10 INOX	25/10 INOX SHEET DISTANCES THEM TO LEVER
7609	1	1	LAMIERA DISTANZIALE 40/10 INOX	40/10 INOX SHEET DISTANCES THEM
7610	1	1	FIANCO LATERALE DESTRO 40/10 INOX PER CH.17	40/10 INOX FOR CH.17 SKILLFUL LATERAL FLANK
7613	1	7	RACCORDO A T - F 1/8	T - F 1/8 V
7614	4	7	RACCORDO A L M CONICO 1/8 8/6	L M 1/8 8/6 CONICAL CONNECTION
7615	8	7	RACCORDO DIR. M. CILINDRICO 1/8 8/6	1/8 8/6 DIR.. M. CYLINDRICAL CONNECTION
7616	2	7	PRESA CON ATTACCO M.1/8	TAKEN WITH M.1/8 ATTACK
7618	1	7	MANICOTTO 1/8	MUFF 1/8
7619	1	7	RACCORDO A T - 1/8 MASCHIO F - F	T - 1/8 F MALE - F UNION
7620	4	7	RIDUZIONE CONICA 1/8 M - F	CONICAL REDUCTION 1/8 M - F
7621	1	1	LAMIERA COPERTURA MOLLA 20/10 INOX	SHEET COVER SPRING 20/10 INOX
7622	1	7	RACCORDO A T MASCHIO CENTR.1/4	1/4 T UNION MALE CENTR.
7623	8	7	RONDELLA ALLUMINIO 1/8	WASHER ALUMINUM 1/8
7630	2	7	TUBO TRASPARENTE 8/12 SERBATOIO - RUB.MANICO	TRANSPARENT TUBE 8/12 TANK - HANDLE TAP
7631	2	7	TUBO TRASPARENTE 8/12 RUB.MANICO - FILTRO	TRANSPARENT TUBE 8/12 HANDLE TAP - FILTER
7632	2	7	TUBO TRASPARENTE 8/12 PRESA RAP. - FILTRO	TRANSPARENT TUBE 8/12 TAKEN RAP. - FILTER
7633	2	7	TUBO TRASPARENTE 8/12 FILTRO - POMPA	TRANSPARENT TUBE 8/12 FILTER - PUMP
7634	1	7	TUBO RILSEN 8/6 POMPA - MANOMETRO	8/6 TUBE RILSEN PUMP - GAUGE
7635	1	7	TUBO RILSEN 8/6 MANOMETRO - REGOLATORE	8/6 TUBE RILSEN GAUGE - REGOLATOR
7636	1	7	TUBO RILSEN 8/6 REGOL. - POMPA ENTR.	TUBE RILSEN 8/6 REGUL. - PUMP ENTR.
7637	1	7	TUBO RILSEN 8/6 POMPA - PRESA E RU	8/6 TUBE RILSEN PUMP - TAKEN And RU
7638	2	7	TUBO RILSEN 8/6 RUBINETTO - NEBULIZZATORE DX	8/6 TUBE RILSEN TAP - SPRINKLER DX
7639	1	7	TUBO RILSEN 8/6 NEBULIZZATORE DX - SX	TUBE RILSEN 8/6 SPRINKLER DX - SX
7642	2	7	RUBINETTO M.1/8 - F.1/8 VALV.SFERA	TAP M.1/8 - F.1/8 VALV.SFERA
8003	1	1	VENTOLA 63 FRAMAG ø 14 CON GHIERA	LC MOTOR FAN
8005	1	1	CALOTTA MOTORE DESTRA LC	LC MOTOR RIGHT COVER
8012	1	1	INGRANAGGIO CAMPANA LB - LC	LC BELL GEAR
8013	1	1	INGRANAGGIO DENTATO DESTRO	RIGHT - HAND SERRATED GEAR
8016	1	1	RONDELLA ø 6 X 18 ZNT	ZNT ø 6 X 15 WASHER
8019	1	1	CARTER FIANCATA	SIDE CASE
8074	4	2	ANELLO DISTANZIALE L. 5.8	L. 5.8 DISTANCE RING
8075	4	1	ANELLO DISTANZIALE L. 7.5	L. 7.5 DISTANCE RING
8140	2	2	RACCORDO A CONVOGLIATORE	CONVEYOR UNION
8165	2	1	RONDELLA PER INGRANAGGIO	WASHER FOR GEAR
8166	3	1	PERNO ESAGONALE CH. 10	CH. 10 HEXAGONAL PIN
8167	3	1	INGRANAGGIO INTERNO CAMPANA DENTATO	LEFT - HAND HELIC. GEAR
8168	2	1	RUOTA ø 99 SX	ø 99 LEFT - HAND GEAR
8176	1	3	CONDENSATORE CODOLO 8 MA CAV. 250 MM	LC CONDENSER
8383	2	1	ALBERO OTTONE - CH. ESAGONALE 17 TRASMISSIONE	TREE BRASS - CH. HEXAGONAL 17 TRANSMISSION
8384	1	1	INGRANAGGIO ELICOIDALE DESTRO PER ALBERO CH.1	RIGHT HELICAL GEAR FOR SHAFT
8385	1	1	INGRANAGGIO ELICOIDALE SINISTRO PER ALBERO CH.1	LEFT HELICAL GEAR FOR SHAFT
8386	1	1	PERNO INOX CH. ESAGONALE 17 SUPPORTO SPAZZOLE	HINGE INOX CH. HEXAGONAL 17 SUPPORT BRUSHES



KRÜGER TECHNOLOGY S.L.
B-82526583
Polígono Agustinos C/G Parcela B2
31013 Pamplona (Navarra) - ESPAÑA
+34 948 343 393 - info@kruger.es - www.kruger.es