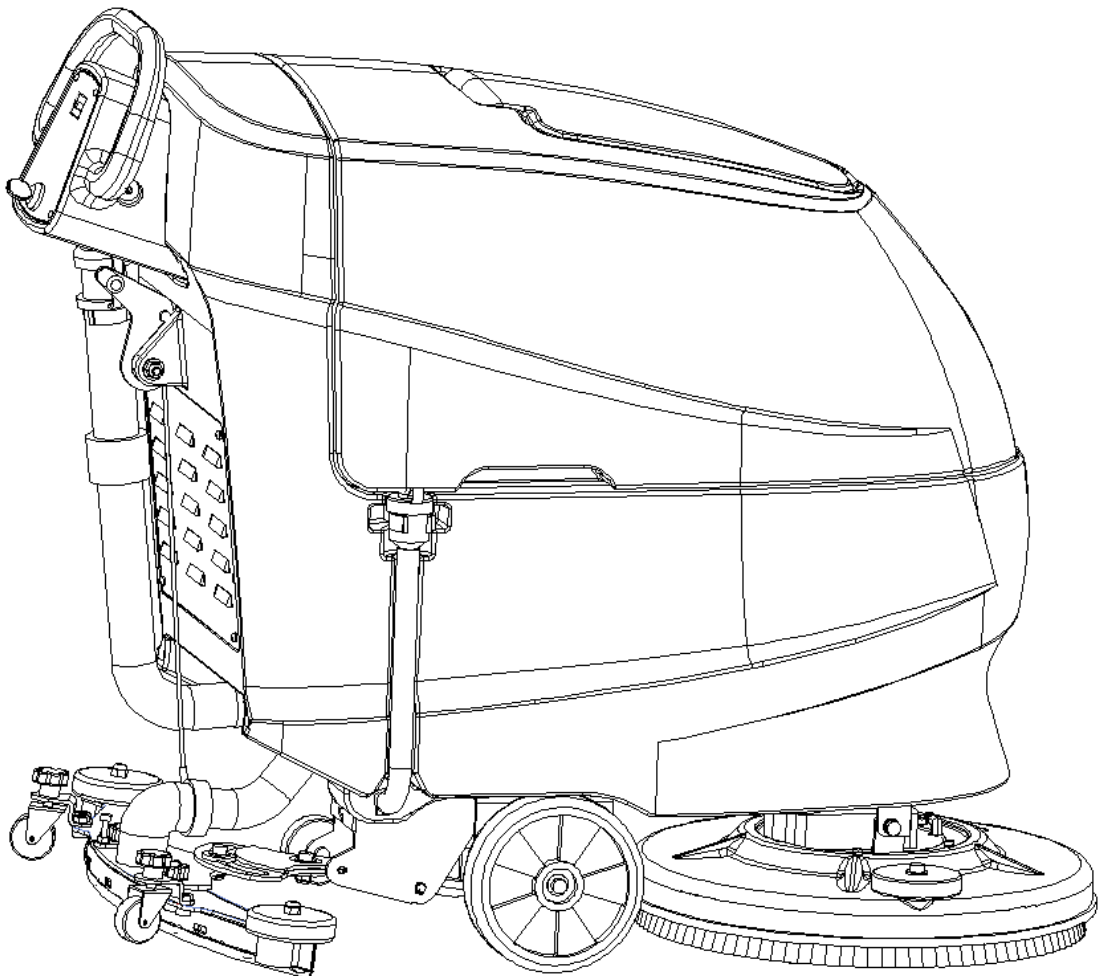


— SCHEMATIC DRAWINGS —

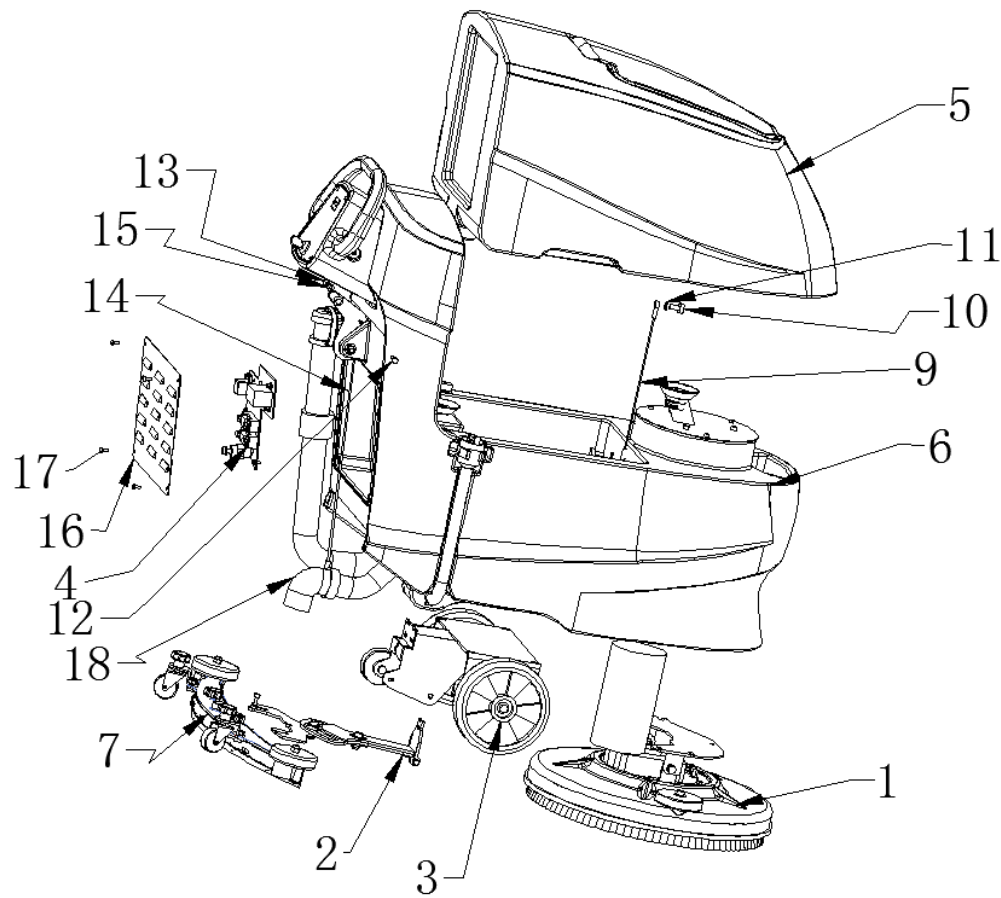
Scrubber Dryer

KF5160BBC

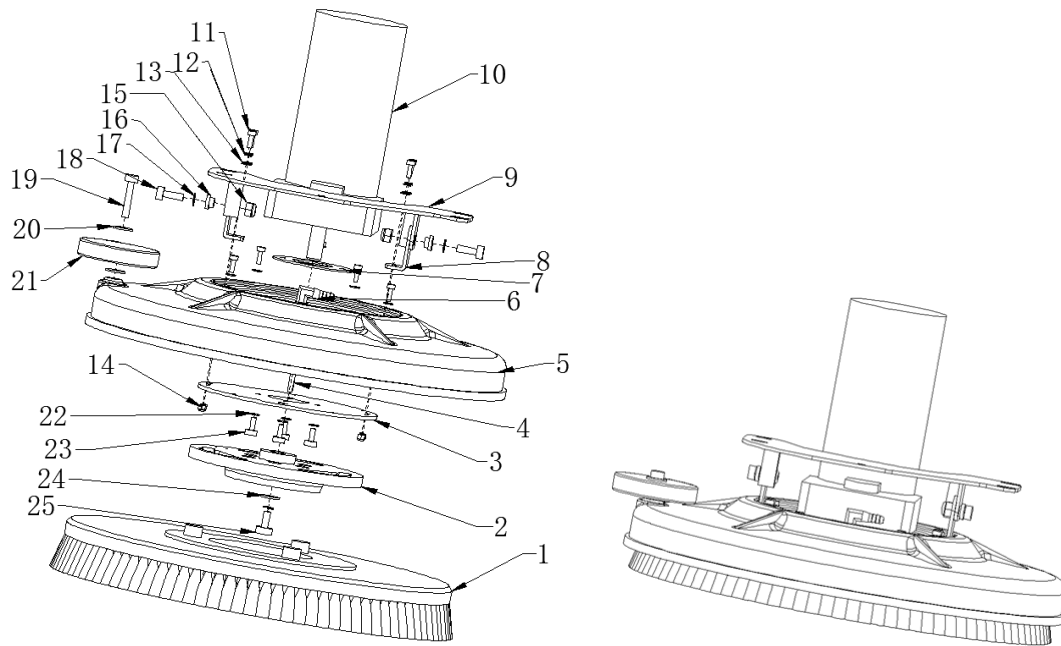


Content

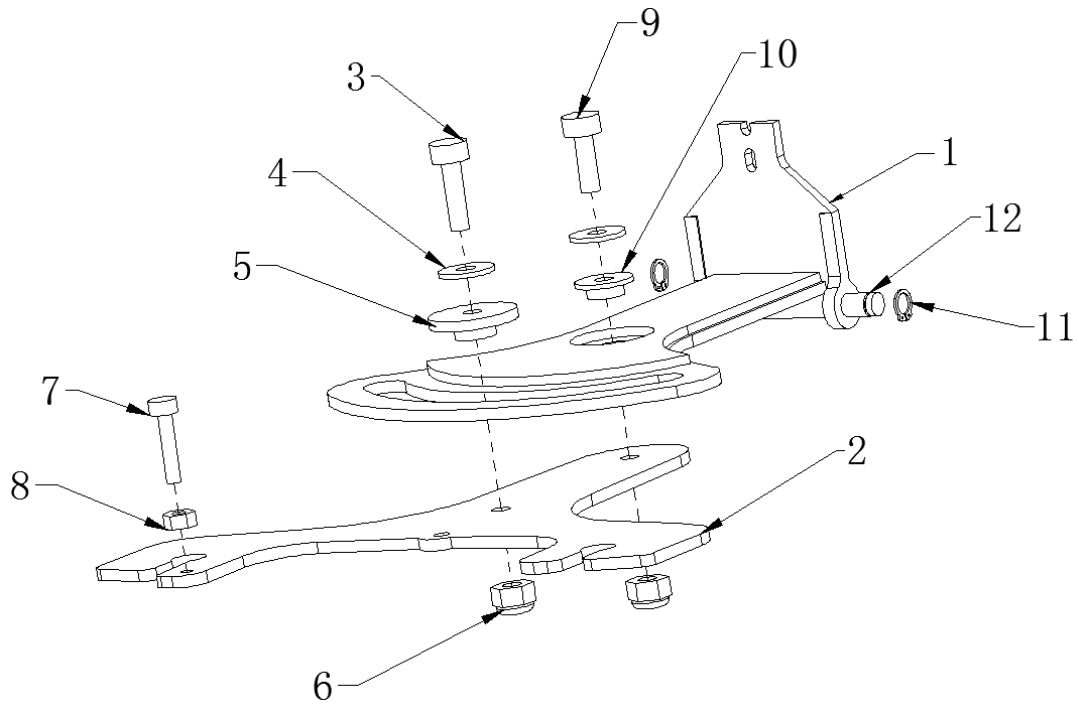
1. ASSEMBLY	3
2. NOSE ASSEMBLY	4
3. SUPPORT FRAME ASSEMBLY	5
4. FRAME ASSEMBLY	6
5. ELECTRIC CABINET ASSEMBLY	7
6. RECOVERY TANK ASSEMBLY	8
7. SOLUTION TANK ASSEMBLY	9--10
8. SQUEEGEE ASSEMBLY	11
9. WATER ASSEMBLY	12



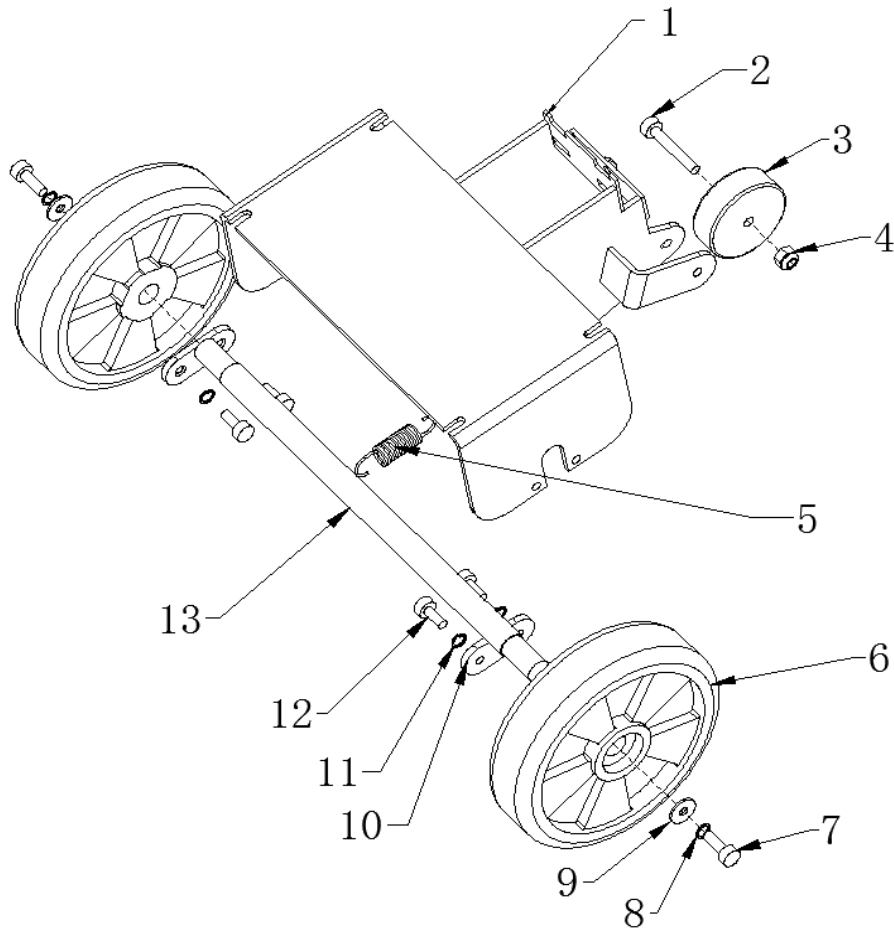
			DESCRIPTION	
1	A020101		NOSE ASSEMBLY	1
2	A020102		SUPPORT FRAME ASSEMBLY	1
3	A020103		FRAME ASSEMBLY	1
4	A020104		ELECTRIC CABINET ASSEMBLY	1
5	A020105		RECOVERY TANK ASSEMBLY	1
6	A020106		SOLUTION TANK ASSEMBLY	1
7	A020107		SQUEEGEE ASSEMBLY	1
8	A020108		WATER ASSEMBLY	1
9	M010108		CABLE L350	1
10	N010114		SCREW M8X20 STAINLESS STEEL	2
11	N010126		WASHER $\Phi 8 \times \Phi 16 \times 1$ STAINLESS STEEL	2
12	N010138		SCREW M6*25 STAINLESS STEEL	1
13	N010129		LOCK NUT STAINLESS STEEL	1
14	M010105		CABLE L570	1
15	N010131		NUT M6 STAINLESS STEEL	1
16	H010111		COVER 343*261	1
17	N010136		SCREW M5X12 STAINLESS STEEL	4
18	P010116		SUCTION PIPE	1



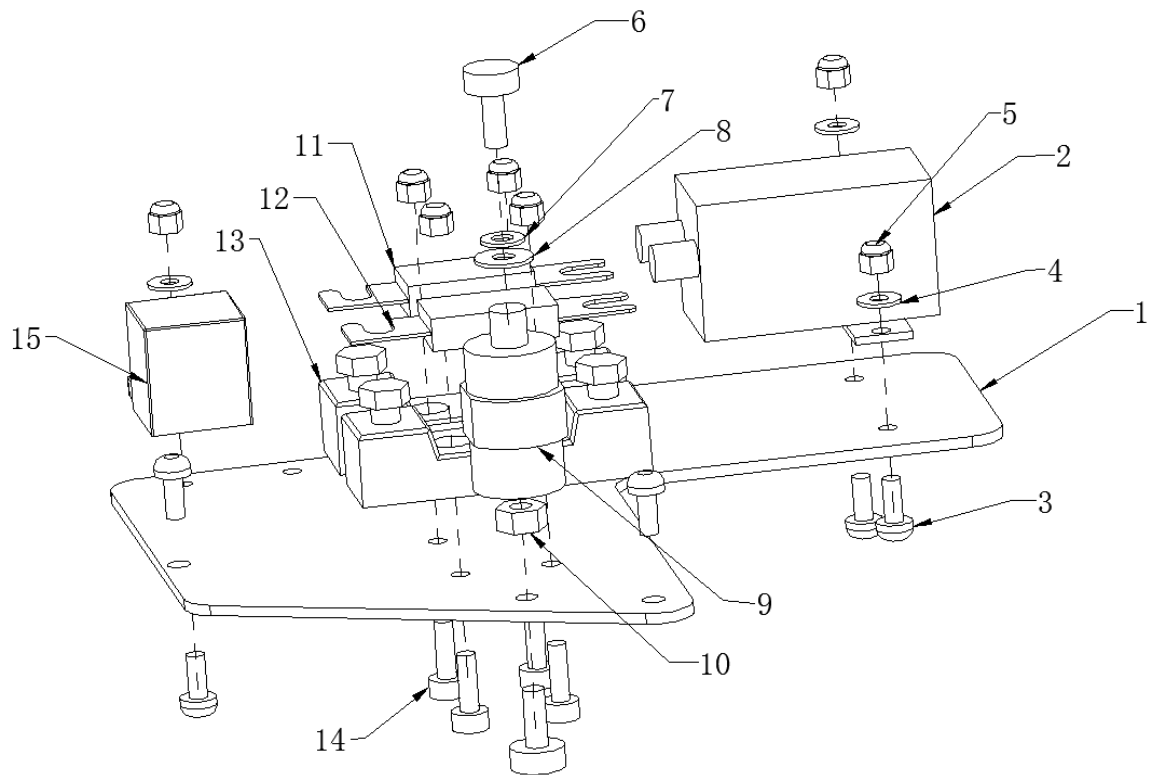
			DESCRIPTION	
1	P010120		BRUSH-PPL19"	1
2	M020101		COUPLER	1
3	H010104		MOUNTING PLATE Ø225	1
4	N010144		FLAT KEY 6*6*30	1
5	P010105		COVER Ø510	1
6	N010105		ELBOW 3/8-12	1
7	H010106		MOUNTING PLATE Ø100	1
8	H010105		SUPPOT 56*34*25	2
9	H010103		JUNCTION PLATE 330*170	1
10	E010109		MOTOR 24V 550W	1
11	N010110		SCREW M5X16 STAINLESS STEEL	9
12	N010119		LOCK WASHER Ø5 STAINLESS STEEL	4
13	N010122		WASHER Ø5XØ12X1 STAINLESS STEEL	9
14	N010128		LOCK NUT M5 STAINLESS STEEL	4
15	N010130		LOCK NUT M8 STAINLESS STEEL	2
16	M010101		COPPER BUSH Ø18*4*Ø12.5*5.5	2
17	N010126		WASHER Ø8XØ16X1 STAINLESS STEEL	2
18	N010115		SCREW M8X25 STAINLESS STEEL	2
19	N010116		SCREW M8X45 STAINLESS STEEL	1
20	N010127		WASHER Ø8XØ24X2 STAINLESS STEEL	3
21	P010112		WHEEL Ø100*20	1
22	N010120		LOCK WASHER Ø6 STAINLESS STEEL	4
23	N010112		SCREW M6X16 STAINLESS STEEL	4
24	N010121		LOCK WASHER Ø8 STAINLESS STEEL	1
25	N010114		SCREW M8X20 STAINLESS STEEL	1



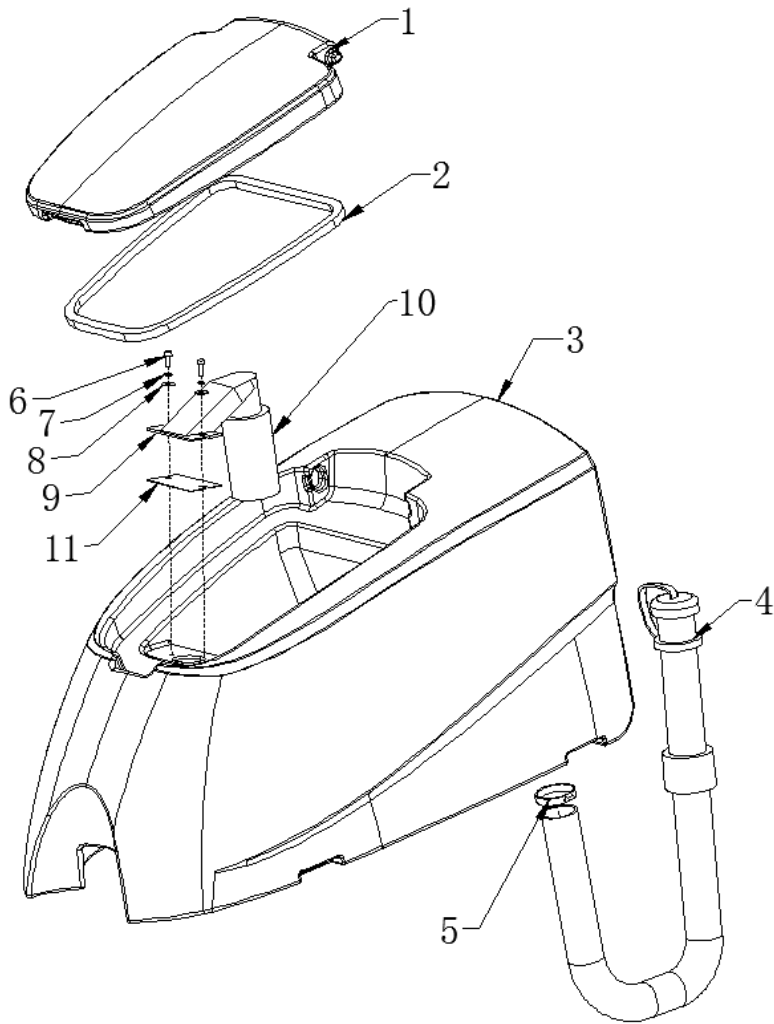
			DESCRIPTION	
1	H010114		FRAME 199*134	1
2	H010115		FRAME 285*245	1
3	N010134		SCREW M8X30 STAINLESS STEEL	1
4	N010127		WASHER $\Phi 8 \times \Phi 24 \times 2$ STAINLESS STEEL	2
5	M010104		COPPER BUSH $\Phi 38^*4.5^* \Phi 18^*6$	1
6	N010130		LOCK NUT M8 STAINLESS STEEL	2
7	N010113		SCREW M6X30 STAINLESS STEEL	1
8	N010131		NUT M6 STAINLESS STEEL	1
9	N010133		SCREW M8X25 STAINLESS STEEL	1
10	M010103		COPPER BUSH $\Phi 25^*2^* \Phi 16^*5.3$	1
11	N010109		RING $\Phi 8.5$	2
12	M010106		CONNECTING SHAFT $\Phi 10^*106$	1



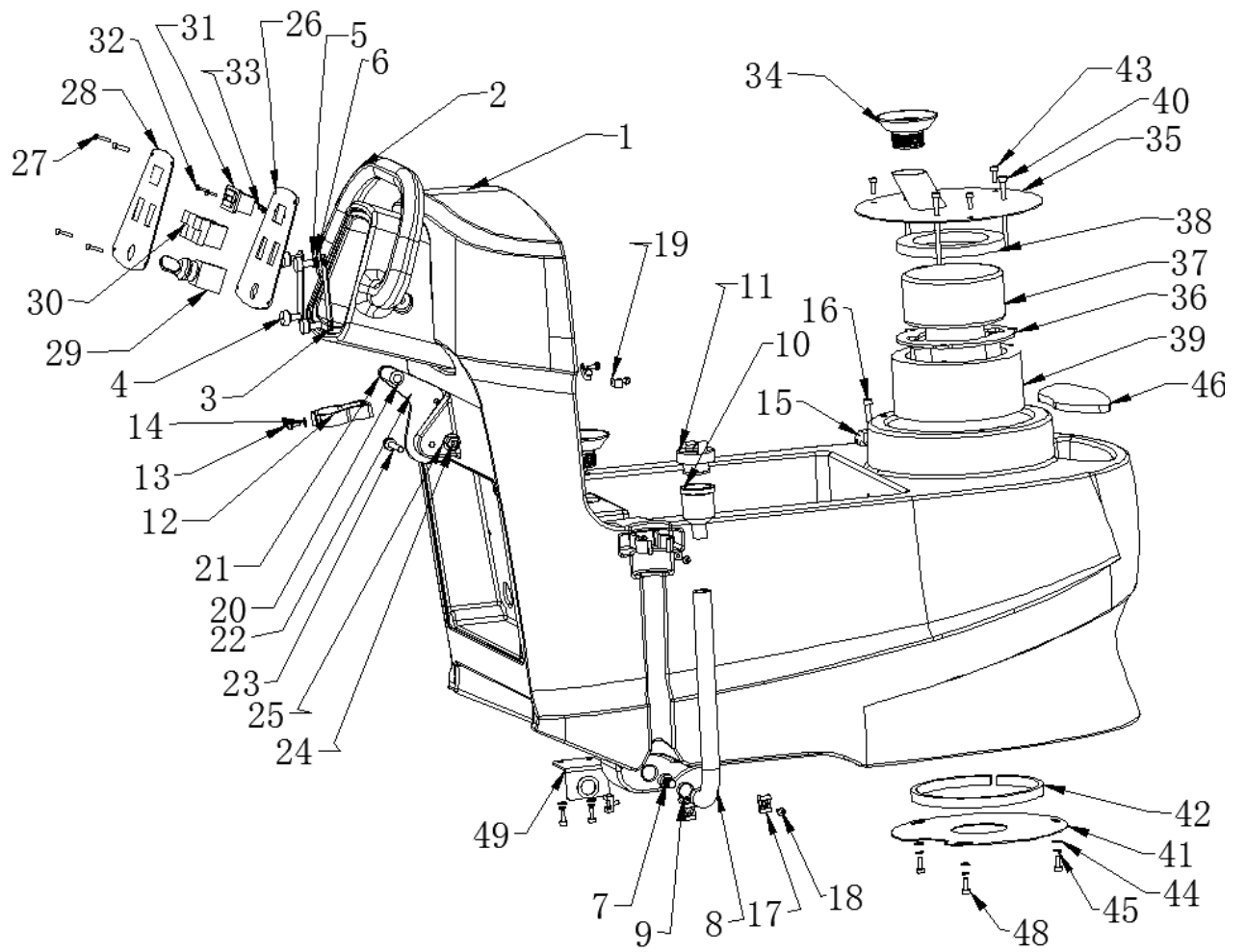
			DESCRIPTION	
1	H010101		A5 FRAME	1
2	N010118		SCREW M8X55 STAINLESS STEEL	1
3	P010111		WHEEL $\Phi 75 \times 25$	1
4	N010130		LOCK NUT M8 STAINLESS STEEL	1
5	M010107		SPRING	1
6	P010109		WHEEL $\Phi 200 \times 50$	2
7	N010133		SCREWM 8X25 STAINLESS STEEL	2
8	N010121		LOCK WASHER $\Phi 8$ STAINLESS STEEL	6
9	N010127		WASHER $\Phi 8 \times \Phi 24 \times 2$ STAINLESS STEEL	2
10	H010102		DEAD PLATE 30X70	2
11	N010121		LOCK WASHER $\Phi 8$ STAINLESS STEEL	4
12	N010132		SCREWM 8X20 STAINLESS STEEL	4
13	M010102		WHEEL AXLE $\Phi 22 \times 450$	1



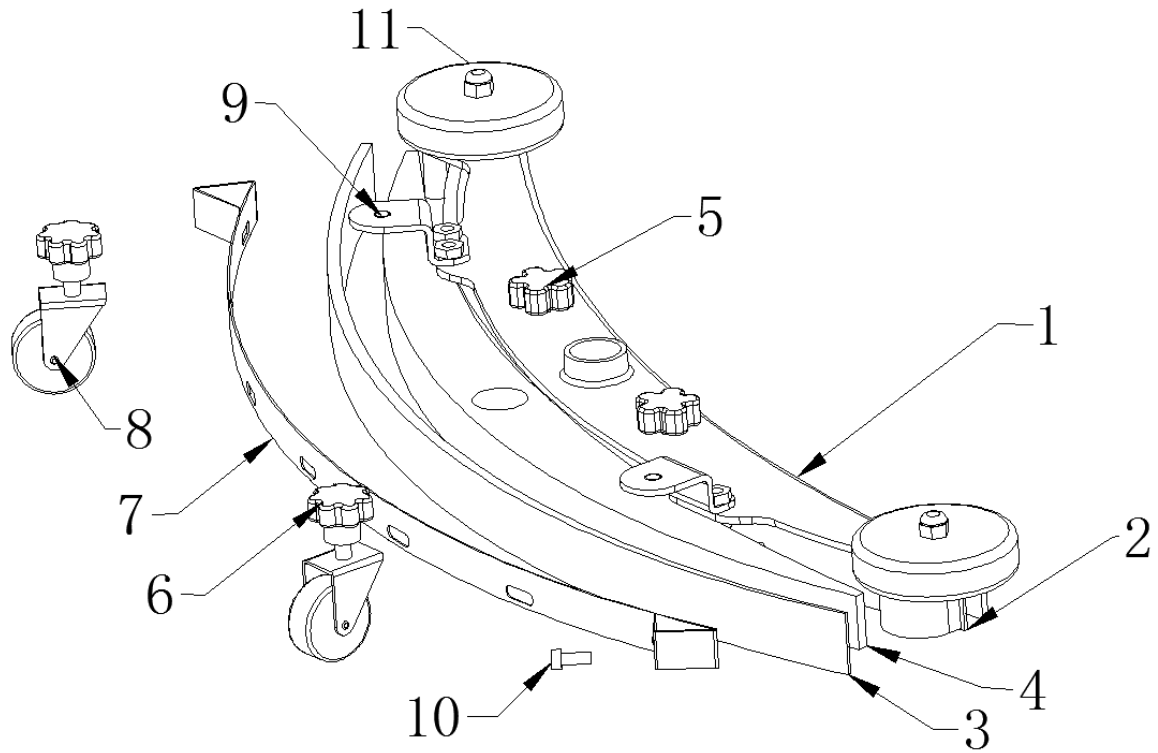
			DESCRIPTION	
1	H010110		CONTROL PANEL PLATE 218x240	1
2	E010105		DC CONTACTOR 24V 100A	1
3	N010136		SCREW M5X12 STAINLESS STEEL	6
4	N010122		WASHER $\phi 5 \times \phi 12 \times 1$ STAINLESS STEEL	7
5	N010128		LOCK NUT M5 STAINLESS STEEL	7
6	N010112		SCREW M6X16 STAINLESS STEEL	2
7	N010120		LOCK WASHER $\phi 6$ STAINLESS STEEL	1
8	N010125		WASHER $\phi 6 \times \phi 16 \times 1$ STAINLESS STEEL	1
9	E010116		INSULATION BASE	1
10	N010131		NUT M6 STAINLESS STEEL	1
11	E010108		FUSE 50A	1
12	E010107		FUSE 30A	1
13	E010109		FUSE SUPPORT	2
14	N010110		SCREW M5X16 STAINLESS STEEL	4
15	E010106		RELAY	1



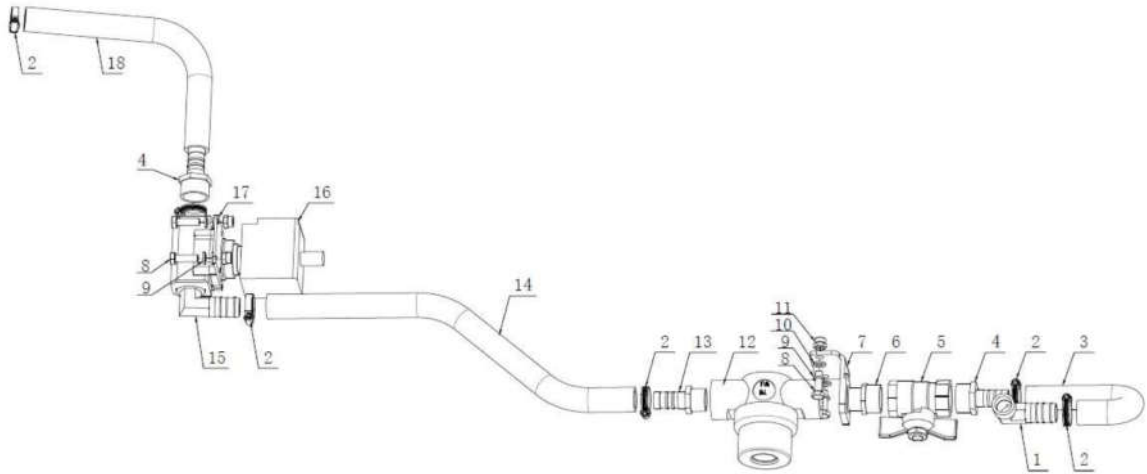
			DESCRIPTION	
1	P010103		COVER A5	1
2	P020103		RUBBER SEALING STRIP	1
3	P010102		RECOVERY TANK A5	1
4	P010117		SEWAGE PIPE \varnothing 38-880	1
5	N010140		SCREW CLAMP 33-57	1
6	N010110		SCREWM5X16 STAINLESS STEEL	2
7	N010119		LOCK WASHER \varnothing 5 STAINLESS STEEL	2
8	N010123		WASHER \varnothing 5X \varnothing 18X1 STAINLESS STEEL	2
9	P010106		SUCTION BODY	1
10	P010107		SUCTION FILTER	1
11	P020104		SUCTION GLAND	1



			DESCRIPTION	
1	P010101		SOLUTION TANK A5	1
2	P010104		HANDLE BOX A5	1
3	H010112		DEAD PLATE 126x20	2
4	N010114		SCREW M8X20 STAINLESS STEEL	4
5	N010121		LOCK WASHER ϕ 8 STAINLESS STEEL	4
6	N010126		WASHER ϕ 8x ϕ 16x1 STAINLESS STEEL	4
7	N010107		CONNECTION 1/2-19	1
8	P020109		PIPE ϕ 19	1
9	N010108		SCREW CLAMP 18-29	2
10	P010121		FITTING	1
11	P020110		CAP	1
12	P010108		SCREW CLAMP	2
13	N010136		SCREW M5x12 STAINLESS STEEL	2
14	N010122		WASHER ϕ 5x ϕ 12x1 STAINLESS STEEL	2
15	P010122		PLASTIC HINGE	2
16	N010138		SCREW M6x25 STAINLESS STEEL	4
17	N010103		SUPPORT PLATE	3
18	N010136		SCREW M5X12 STAINLESS STEEL	5
19	N010102		CABLE CLAMP	2
20	P010115		HANDLE 21*50	1
21	N010129		LOCK NUT M6 STAINLESS STEEL	1
22	H010113		LEVER 149*79.5	1
23	N010116		SCREW M8X45 STAINLESS STEEL	1
24	N010130		LOCK NUT M8 STAINLESS STEEL	1
25	N010127		WASHER ϕ 8X ϕ 24X2 STAINLESS STEEL	2
26	H010118		CONTROL PANEL 150*170	1
27	N010135		SCREW M4X20 STAINLESS STEEL	4
28	E010104		CONTROL PANEL DECAL	1
29	E010101		KEY ASSEMBLY	1
30	E010102		PUSH SWITCH 16A	2
31	E010103		BATTERY STATUS	1
32	N010149		SCREW M3*12 STAINLESS STEEL	2
33	N010145		LOCK NUT M3 STAINLESS STEEL	2
34	P020101		RUBBER DISK SEAL	2
35	H010107		JUNCTION PLATE ϕ 260	1
36	H010108		DEAD PLATE ϕ 164	1
37	E010110		VACUUM MOTOR 24V 500W	1
38	P020105		PACK PE FOAM ϕ 150X ϕ 105X13	1
39	P020106		NOISE REDUCTION FOAM	1
40	N010117		SCREW M6X100 STAINLESS STEEL	3
41	H010120		PLATE ϕ 244	1
42	P020113		EVA FOAM ϕ 184	1
43	N010110		SCREW M5X16 STAINLESS STEEL	3
44	N010122		WASHER ϕ 5X ϕ 12X1 STAINLESS STEEL	3
45	N010119		LOCK WASHER ϕ 5 STAINLESS STEEL	2
46	P020112		FILTER SPONGY	1
48	N010148		SCREW M5X16 STAINLESS STEEL	2
47	H010119		BALL VALVE SUPPROT 62*65*44	1



			DESCRIPTION	
1	M020102		SQUEEGEE BODY	1
2	P020114		FRONT SQUEEGE BLADE RUBBER	1
3	P020115		REAR SQUEEGE BLADE RUBBER	1
4	P020116		MENISCUS	1
5	P010114		NUT M8	2
6	P010125		NUT M10	2
7	H010116		PLATE STAINLESS STEEL	1
8	P010118		UNIVERSAL WHEEL	2
9	H010117		SUPPORT	2
10	N010150		SCREW M8	1
11	P010113		WHEEL Φ 100x25	2



			DESCRIPTION	
1	N010105		ELBOW 3/8-12	1
2	N010108		SCREW CLAMP 18-29	6
3	P020117		WATER PIPE L130	1
4	N010104		CONNECTION 1/2-12	1
5	N010101		VALVE 1/2	1
6	N010106		CONNECTION 3/8-12	1
7	H010119		BALL CONNECTION SUPPORT 62*65*44	1
8	N010148		SCREW M5*16 STAINLESS STEEL	4
9	N010119		LOCK WASHER Φ 5 STAINLESS STEEL	4
10	N010122		WASHER Φ 5X Φ 12X1 STAINLESS STEEL	4
11	N010128		LOCK NUT M5 STAINLESS STEEL	4
12	P010119		FILTER	1
13	N010106		CONNECTION 3/8-12	1
14	P020118		WATER PIPE L170	1
15	N010104		CONNECTION 1/2-12	1
16	E010108		SOLENOID VALVE 24V	1
17	H010109		SOLENOID VALVE SUPPORT	1