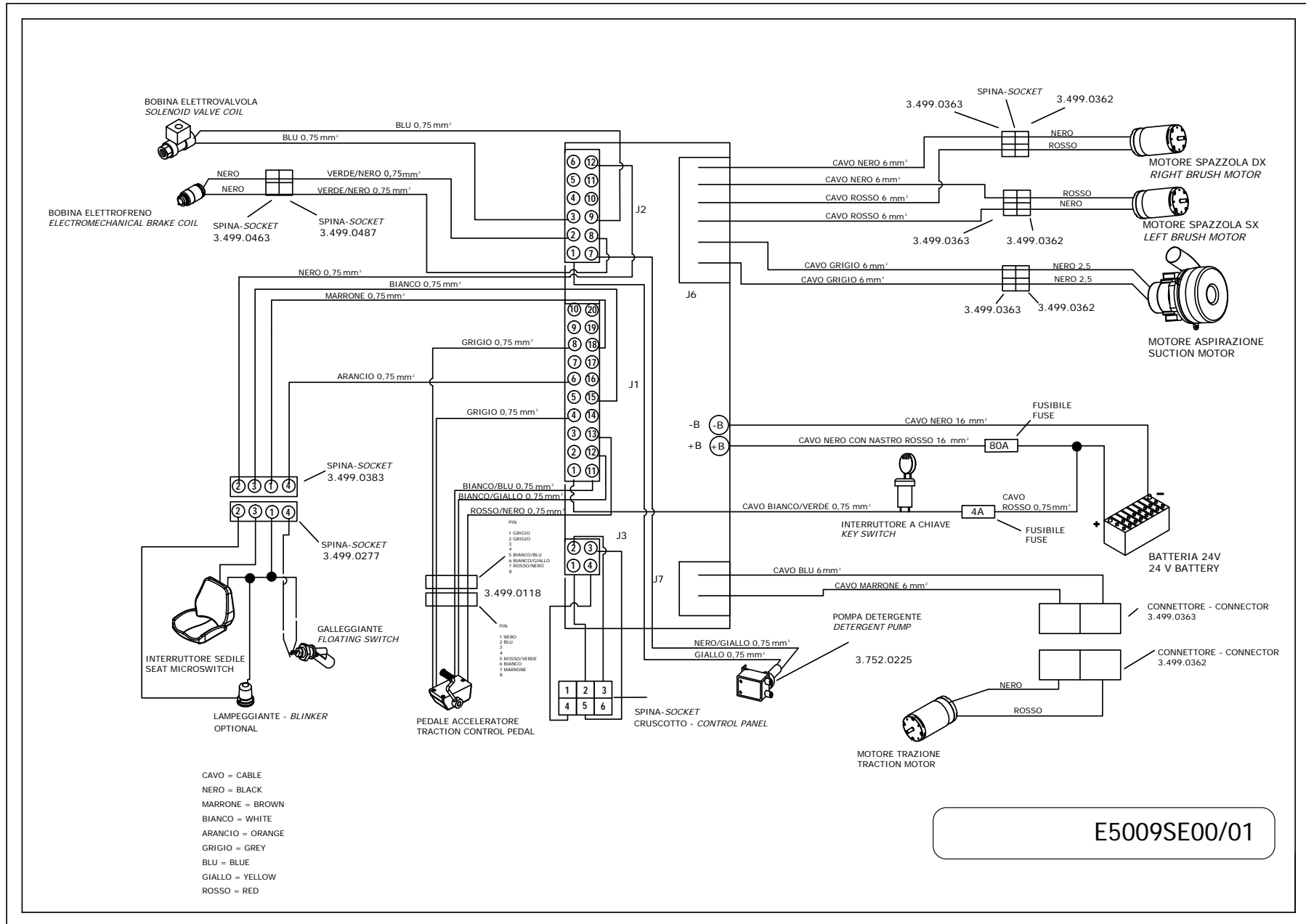


## DESPIECE TÉCNICO FREGADORA HOMBRE A BORDO KF120B



8.572.0002 - LAVASCIUGA SCL COMFORT L 122 GRIGIO CH/GRIGIO SCURO -LWS-	3
R5009SE00-1 - ELECTRIC WIRING.....	4
R55090486-1 - GRUPPO TELAIO KRON L.....	5
R55090486-2 - GRUPPO TELAIO KRON L.....	9
R55090488-1 - BRUSH PLATE.....	13
R55090488-2 - BRUSH PLATE.....	16
R55090488-3 - BRUSH PLATE.....	19
R55090490-1 - GRUPPO SQUEEGEE KRON L2.....	22
R55090492-1 - STEERING.....	24
R55090492-2 - STEERING.....	27
R55090492-3 - STEERING.....	30
R55090494-1 - ELETRICAL SYSTEM.....	33
R55090494-2 - ELETRICAL SYSTEM.....	34
R55090494-3 - ELETRICAL SYSTEM.....	35
R55090501-1 - WATER SYSTEM.....	38
R55090501-2 - WATER SYSTEM.....	40
R55090501-3 - WATER SYSTEM.....	42
R55090521-1 - TANKE.....	44
R55090521-2 - TANKE.....	46
R55090521-3 - TANKE.....	49
R55091005-1 - SQUEEGEE.....	52
R55091060-1 - CHASSIS.....	54
R55091409-1 - SQUEEGEE.....	58

Pos.	Code	Description
0	R5009SE00-1	ELECTRIC WIRING
0	R55090486-1	GRUPPO TELAIO KRON L
0	R55090486-2	GRUPPO TELAIO KRON L
0	R55090488-1	BRUSH PLATE
0	R55090488-2	BRUSH PLATE
0	R55090488-3	BRUSH PLATE
0	R55090490-1	GRUPPO SQUEGEE KRON L2
0	R55090492-1	STEERING
0	R55090492-2	STEERING
0	R55090492-3	STEERING
0	R55090494-1	ELETRICAL SYSTEM
0	R55090494-2	ELETRICAL SYSTEM
0	R55090494-3	ELETRICAL SYSTEM
0	R55090501-1	WATER SYSTEM
0	R55090501-2	WATER SYSTEM
0	R55090501-3	WATER SYSTEM
0	R55090521-1	TANKE
0	R55090521-2	TANKE
0	R55090521-3	TANKE
0	R55091005-1	SQUEGEE
0	R55091060-1	CHASSIS
0	R55091409-1	SQUEEGEE



E5009SE00/01

Pos.	Code	Substituted by	Q.ty	Purchasable	Min. Q.ty	For mainten.	Description
001	5.513.0086		1	Yes	1		FRAME - KRON L
002	5.511.0391		2	Yes	1		MOTORWHEEL ASSEMBLY KRON
003	3.004.0106		11	Yes	12		PLAIN WASHER D.8X16X1.6 INOX UNI6592
004	3.003.0034		13	Yes	12		SELF-LOCKING NUT M8 DIN 982 INOX
005	4.507.0432		2	Yes	1		TAB WASHER - KRON L
006	3.003.0424		2	No			NUT M30X2 UNI 5588 STAINLESS
007	3.099.0512		2	Yes	6		FEATHER KEY 10X8X35 UNI 6604A
008	4.507.0444		2	Yes	1		SHIM FOR MOTORWHEEL - KRON
009	3.099.0694		1	Yes	1		BRAKING HOOK ASSEMBLY RIGHT
010	3.099.0695		1	Yes	1		BRAKING HOOK ASSEMBLY LEFT
011	4.507.0326		2	Yes	1		RIGHT BRAKE LEVER - KRON M
012	3.002.0271		8	Yes	12		SCREW M6X20 UNI 5931
013	4.507.0440		2	Yes	2		BUSHING FOR SQUEEGEE SUPPORT -KRON L
014	3.002.0245		2	Yes	6		SCREW TE M12X35 INOX UNI 5739
015	5.513.0090		1	Yes	1		SQUEEGEE SUPPORT - KRON L
016	4.507.0184		2	Yes	3		SQUEEGEE STOP BOLT
017	3.004.0048		5	Yes	12		PLAIN WASHER D.10X30X2.5 INOXUNI6593
018	3.002.0557		2	Yes	12		SCREW TE M10X20
019	4.507.0343		1	Yes	2		BUSHING FOR SQUEEGEE COUPLING- KRON M
020	4.507.0344		1	Yes	4		WASHER
021	3.002.0425		1	Yes	2		SCREW M10X80 UNI 5737 INOX
022	4.507.0163		1	Yes	2		SQUEEGEE WHEEL ADJUSTER
023	3.002.0539		1	Yes	6		SCREW TE M10X35 UNI 5739 INOX
024	4.507.0162		2	Yes	1		SCREW
025	3.003.0419		2	Yes	12		NUT M12 UNI 5589 INOX
026	3.003.0033		2	Yes	12		SELF-LOCKING NUT M10 DIN 985 INOX
027	3.006.0035		1	Yes	1	EXT	WHEEL DESMOPAN 80
028	3.099.0768		1	Yes	2		CHAIN
029	3.099.0488		2	Yes	3		CHAIN LINK FOR CHAIN ½"X5/16 DOUBLE
030	3.499.0109	5.511.1057	2	Yes	1		ACTUATOR 36V-C60
031	5.513.0089		2	Yes	1		ACTUATOR SUPPORT - KRON L

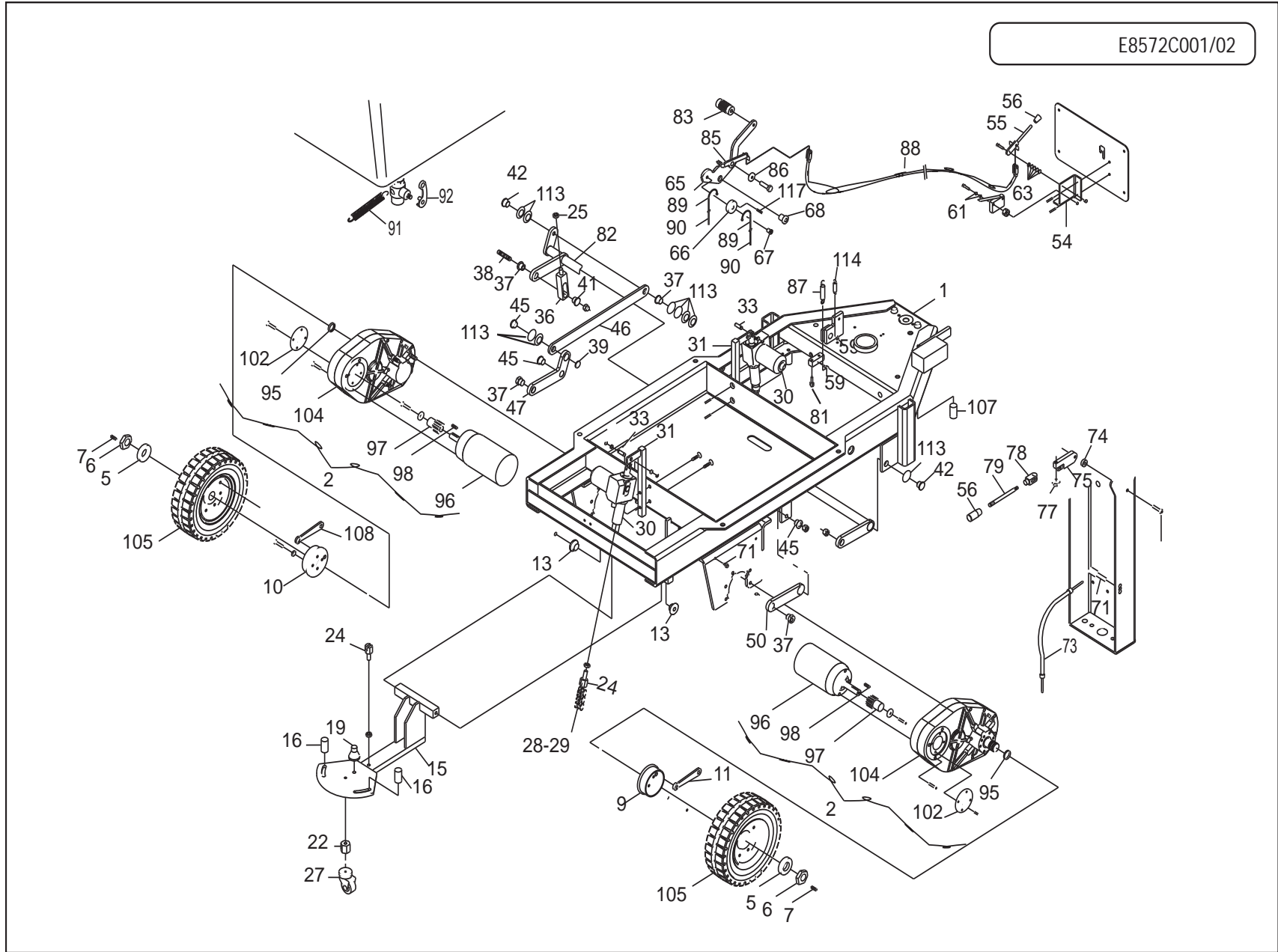
Pos.	Code	Substituted by	Q.ty	Purchasable	Min. Q.ty	For mainten.	Description
032	3.002.0579		4	Yes	12		SCREW TSPEI M10X25 UNI 5933 INOX
033	4.507.0369		2	Yes	1		PIN FOR ACTUATOR
034	3.004.0114		2	Yes	12		WASHER D.10.5X18 INOX UNI6592
035	3.099.0310		2	Yes	12		SEEGER RING D.10 UNI 7435
036	5.513.0084		1	Yes	1		ACTUATOR COUPLING - KRON L
037	4.507.0424		4	Yes	3		CAM - KRON L
038	3.002.0603		1	Yes	1		THREADED BAR
039	3.004.0052		7	Yes	12		PLAIN WASHER D.12X24X2.5 INOXUNI6593
040	3.003.0051		8	Yes	12		SELF-LOCKING NUT M12 INOX
041	4.507.0427		1	Yes	3		BUSHING FOR ACTUATOR COUPLING- KRON L
042	4.506.0092		2	Yes	3		BUSHING
043	3.002.0369		2	Yes	2		SCREW M14X35 UNI 5739 STLESS ST. 1
044	3.002.0596		1	Yes	6		SCREW TSPEI M12X35 UNI 5933 INOX
045	4.506.0083		3	Yes	3		BUSHING
046	5.513.0088		1	Yes	1		BAR - KRON L
047	4.507.0428		1	Yes	1		BAR - KRON L
048	3.002.0373		2	Yes	4		SCREW M12X45 UNI5737 STLESS ST.
049	3.002.0428		3	Yes	6		SCREW M12X65 UNI 5737 INOX
050	4.507.0426		1	Yes	1		BAR - KRON L
051	3.001.0062		1	Yes	1		BEARING 63008 2RSI
052	3.001.0063		1	Yes	1		BEARING 63009 2RSI
053	3.099.0769		1	Yes	6		SEEGER RING FOR SHAFT D.40 UNI7435
054	4.507.0456		1	Yes	1		BRACKET FOR BRAKE LEVER STOP -KRON L
055	4.507.0327		1	Yes	1		BRAKE LEVER STOP
056	3.099.0371		2	Yes	6		LEVER KNOB M8
057	3.002.0221		3	Yes	12		SCREW M6X16 INOX DIN 7991
058	3.003.0053	3.003.0028	1	Yes	12		SELF-LOCKING NUT M6 INOX
059	4.506.0034		2	Yes	6		PIN FOR SPRING COUPLING
060	3.002.0515		2	Yes	12		SCREW M3X25 UNI 5931 INOX
061	4.508.0431		4	Yes	6		WASHER FOR MICROSWITCH
062	3.003.0418		2	Yes	12		SELF-LOCKING NUT M3 INOX

Pos.	Code	Substituted by	Q.ty	Purchasable	Min. Q.ty	For mainten.	Description
063	3.004.0085		6	Yes	12		CUP SPRING 12.5X6.2X0.7 DIN2093 TYPE A
064	3.002.0272		1	Yes	12		SCREW M6X30 UNI 5931
065	4.507.0451		1	Yes	1		BRAKE LEVER - KRON L
066	4.507.0144		1	Yes	1	EXT	BRAKE RING NUT
067	4.507.0143		1	Yes	6		BUSHING
068	4.506.0084		1	Yes	1		BUSHING FOR BRAKE LEVER
069	3.002.0215		2	Yes	12		SCREW M8X20 INOX UNI 5931
070	3.002.0414		1	Yes	6		SCREW M8X55 UNI 5737 INOX
071	4.507.0359		1	Yes	6		ADJUSTING SCREW
072	3.002.0366		1	Yes	25		SCREW M6X35 UNI 5933
073	3.099.0520		1	Yes	1		TRANSMISSION COMPLETE WITH WIRE-SLEEVE AND FORK
074	4.506.0068		1	Yes	6		SPACER 6.5X15x5 1
075	4.507.0318		1	Yes	1		PLATE
076	3.004.0047		9	Yes	12		PLAIN WASHER D.6X12X2 INOX UNI6592
077	3.003.0028		2	Yes	12		SELF-LOCKING NUT M6 DIN 982 INOX
078	3.099.0337		1	Yes	3		WATER GEAR CONTROL M6+CLIP
079	4.507.0317		1	Yes	1		SHAFT FOR KNOB
080	4.507.0596		1	Yes	4		BRAKE ADJUSTER SUPPORT- KRON L
081	3.099.0460	3.099.0364	2	Yes	6		ADJUSTER FOR M8 SHEATH
082	5.513.0087		1	Yes	1		BRUSH LIFTING LEVER - KRON L
083	4.507.0145		1	Yes	2	EXT	BRAKE PEDAL
084	3.002.0275		1	Yes	5		SCREW M10X60 UNI 5739
085	4.507.0455		1	Yes	1		BRAKE LEVER STOP - KRON L
086	4.506.0085		1	Yes	3		BUSHING FOR BRAKE LEVER
087	4.507.0642		1	Yes	2		TRACTION SPRING
088	5.511.0434		1	Yes	1		KIT BRAKE LEVERAGE
089	3.099.0363		2	Yes	1	EXT	BRAKE CABLE D.2.5X133 L.1800 +BALL 6.5mm -CVN0001800-
090	3.099.0365		2	Yes	1		SHEATH L.1150
091	4.507.0345		1	Yes	1		SPRING FOR WATER TAP LEVER
092	4.507.0057		1	Yes	2		WATER OUTLET CONTROL LEVER - INOX
093	3.002.0270		1	Yes	6		SCREW M10X20 UNI 5931

Pos.	Code	Substituted by	Q.ty	Purchasable	Min. Q.ty	For mainten.	Description
094	3.004.0100	3.004.0049	1	Yes	12		PLAIN WASHER D.10.5X21 INOX UNI6592
095	3.201.0026		2	Yes	5		OIL SEAL AS 35X47X7 DIN3761
096	5.501.0030		2	Yes	1	EXT	MOTOR 600W-36V-2000rpm
097	4.507.0409		2	Yes	1		GEAR Z=19 m=1.5 ANGLE=10 KRONL
098	3.099.0592		2	Yes	12		FEATHER KEY 5X5X30 UNI 6604A
099	3.004.0050		2	Yes	12		PLAIN WASHER D.6X24X2 INOX UNI6593
100	3.002.0218		2	Yes	12		SCREW TCEI M5X20 INOX UNI 5931
101	3.002.0535		8	Yes	4		SCREW TCEI M6X90 UNI 5931 INOX
102	4.505.0067		2	Yes	1		MOTORWHEEL COVER PLUG
103	3.002.0260		8	Yes	12		SCREW M4X12 UNI 5931
104	5.511.0435		2	Yes	1		MOTORWHEEL KRON L
105	4.508.0448		2	Yes	1	EXT	WHEEL



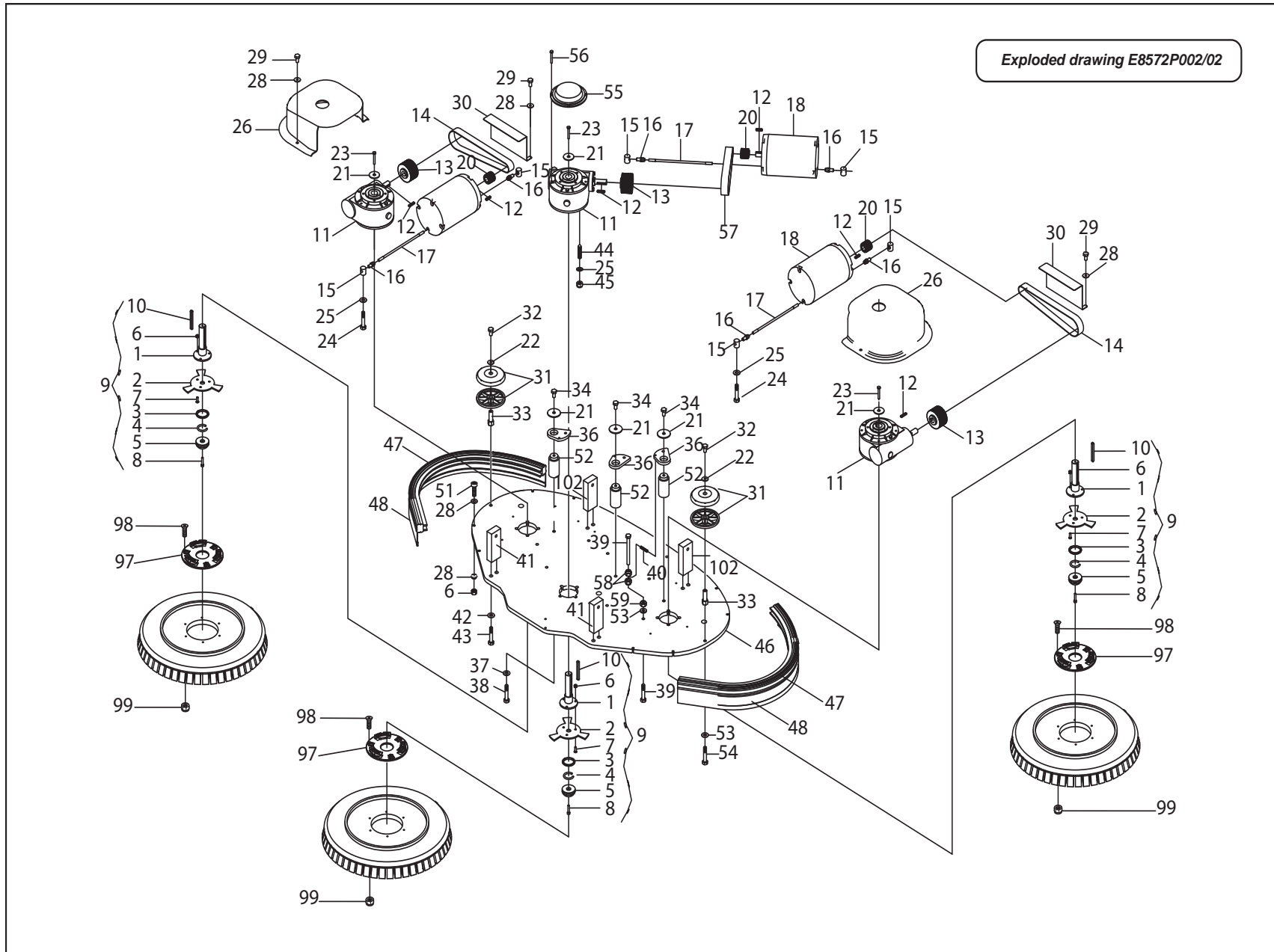
E8572C001/02



Pos.	Code	Substituted by	Q.ty	Purchasable	Min. Q.ty	For mainten.	Description
001	5.513.0086		1	Yes	1		FRAME - KRON L
002	5.511.0391		2	Yes	1		MOTORWHEEL ASSEMBLY KRON
007	3.099.0512		2	Yes	6		FEATHER KEY 10X8X35 UNI 6604A
009	3.099.0694		1	Yes	1		BRAKING HOOK ASSEMBLY RIGHT
010	3.099.0695		1	Yes	1		BRAKING HOOK ASSEMBLY LEFT
011	4.507.0912		2	Yes	1		BRAKE LEVER - RIGHT
013	4.507.0440		2	Yes	2		BUSHING FOR SQUEEGEE SUPPORT -KRON L
015	5.513.0090		1	Yes	1		SQUEEGEE SUPPORT - KRON L
016	4.507.0184		2	Yes	3		SQUEEGEE STOP BOLT
019	4.507.0343		1	Yes	2		BUSHING FOR SQUEEGEE COUPLING- KRON M
020	4.507.0344		1	Yes	4		WASHER
022	4.507.0881		1	Yes	2		SPACER
027	3.006.0097	3.006.0085	1	Yes	1	EXT	PIVOTING WHEEL D.80X25 HOLE D.13 POLY.
028	3.099.0768		1	Yes	2		CHAIN
029	3.099.0488		2	Yes	3		CHAIN LINK FOR CHAIN ½"X5/16 DOUBLE
030	3.499.0054	6.505.0073	2	Yes	1		ACTUATOR 36V C80
031	5.513.0089		2	Yes	1		ACTUATOR SUPPORT - KRON L
033	4.507.0369		2	Yes	1		PIN FOR ACTUATOR
034	3.004.0114		2	Yes	12		WASHER D.10.5X18 INOX UNI6592
035	3.099.0310		2	Yes	12		SEEGER RING D.10 UNI 7435
036	5.513.0084		1	Yes	1		ACTUATOR COUPLING - KRON L
037	4.507.0424		4	Yes	3		CAM - KRON L
038	3.002.0603		1	Yes	1		THREADED BAR
041	4.507.0427		1	Yes	3		BUSHING FOR ACTUATOR COUPLING- KRON L
042	4.506.0092		2	Yes	3		BUSHING
045	4.506.0083		3	Yes	3		BUSHING
046	5.513.0088		1	Yes	1		BAR - KRON L
047	4.507.0428		1	Yes	1		BAR - KRON L
050	4.507.0426		1	Yes	1		BAR - KRON L
052	3.001.0063		1	Yes	1		BEARING 63009 2RSI
053	3.099.0769		1	Yes	6		SEEGER RING FOR SHAFT D.40 UNI7435

Pos.	Code	Substituted by	Q.ty	Purchasable	Min. Q.ty	For mainten.	Description
054	4.507.0456		1	Yes	1		BRACKET FOR BRAKE LEVER STOP -KRON L
055	4.507.0327		1	Yes	1		BRAKE LEVER STOP
056	3.099.0371		2	Yes	6		LEVER KNOB M8
058	3.003.0053	3.003.0028	1	Yes	12		SELF-LOCKING NUT M6 INOX
059	4.506.0034		2	Yes	6		PIN FOR SPRING COUPLING
063	3.004.0085		6	Yes	12		CUP SPRING 12.5X6.2X0.7 DIN2093 TYPE A
065	4.507.0451		1	Yes	1		BRAKE LEVER - KRON L
066	4.507.0144		1	Yes	1	EXT	BRAKE RING NUT
067	4.507.0143		1	Yes	6		BUSHING
068	4.506.0084		1	Yes	1		BUSHING FOR BRAKE LEVER
071	4.507.0359		1	Yes	6		ADJUSTING SCREW
073	3.099.0520		1	Yes	1		TRANSMISSION COMPLETE WITH WIRE-SLEEVE AND FORK
074	4.506.0068		1	Yes	6		SPACER 6.5X15x5 1
075	4.507.0318		1	Yes	1		PLATE
078	3.099.0337		1	Yes	3		WATER GEAR CONTROL M6+CLIP
079	4.507.0317		1	Yes	1		SHAFT FOR KNOB
080	4.507.0596		1	Yes	4		BRAKE ADJUSTER SUPPORT- KRON L
081	3.099.0460	3.099.0364	2	Yes	6		ADJUSTER FOR M8 SHEATH
082	5.513.0087		1	Yes	1		BRUSH LIFTING LEVER - KRON L
083	4.507.0145		1	Yes	2	EXT	BRAKE PEDAL
085	4.507.0455		1	Yes	1		BRAKE LEVER STOP - KRON L
086	4.506.0085		1	Yes	3		BUSHING FOR BRAKE LEVER
087	4.507.0642		1	Yes	2		TRACTION SPRING
088	5.511.0434		1	Yes	1		KIT BRAKE LEVERAGE
089	3.099.0363		2	Yes	1	EXT	BRAKE CABLE D.2.5X133 L.1800 +BALL 6.5mm -CVN0001800-
090	3.099.0365		2	Yes	1		SHEATH L.1150
091	4.507.0345		1	Yes	1		SPRING FOR WATER TAP LEVER
092	4.507.0057		1	Yes	2		WATER OUTLET CONTROL LEVER - INOX
094	3.004.0100	3.004.0049	1	Yes	12		PLAIN WASHER D.10.5X21 INOX UNI6592
095	3.201.0026		2	Yes	5		OIL SEAL AS 35X47X7 DIN3761
096	5.501.0030		2	Yes	1	EXT	MOTOR 600W-36V-2000rpm

Pos.	Code	Substituted by	Q.ty	Purchasable	Min. Q.ty	For mainten.	Description
097	4.507.0409		2	Yes	1		GEAR Z=19 m=1.5 ANGLE=10 KRONL
098	3.099.1015		2	Yes	12		FEATHER KEY 5X5X35 UNI 6604A
102	4.505.0067		2	Yes	1		MOTORWHEEL COVER PLUG
104	5.511.0435		2	Yes	1		MOTORWHEEL KRON L
105	4.508.0448		2	Yes	1	EXT	WHEEL
107	4.507.0906		2	Yes	1		STEERING STOP BOLT
108	4.507.0913		1	Yes	1		BRAKE LEVER - LEFT
113	3.004.0146		4	Yes	5		SPRING WASHER 40X20.4X1
114	4.507.0978		1	Yes	4		TRACTION SPRING



## Despiece Técnico - BARREDORA KF120B

Pos.	Code	Substituted by	Q.ty	Purchasable	Min. Q.ty	For mainten.	Description
001	5.513.0085		3	Yes	1		BRUSH COUPLING - KRON L
002	4.507.0300		3	Yes	1		BRUSH COUPLING
003	3.200.0127		3	Yes	2		O-RING D=5.34 L=106
004	4.508.0314		3	Yes	2		OPENED RING
005	4.508.0290		3	Yes	2		BRUSH COUPLING CENTERING BUSHING
006	3.003.0028		17	Yes	12		SELF-LOCKING NUT M6 DIN 982 INOX
009	5.511.0390		3	Yes	1		BRUSH COUPLING ASSEMBLY - KRONL
010	3.099.0587		3	Yes	6		FEATHER KEY 7X8X80 UNI 6604A
011	3.099.0596		3	Yes	1		REDUCER RI 63 P 1/15
012	3.099.0323		3	Yes	12		FEATHER KEY 6X6X30 UNI 6604A
013	4.505.0073		3	Yes	1		DRIVEN PULLEY - KRON L
014	3.099.0699		3	Yes	1	EXT	BELT POLY-V 280 H12
015	4.507.0151		6	Yes	5		MOTOR SUPPORT
016	4.507.0260		6	Yes	5		BUSHING FOR MOTOR SUPPORT
017	4.507.0425		3	Yes	1		MOTOR STUD SCREW - KRON L
018	5.501.0031		3	Yes	1	EXT	MOTOR 1000W 36V 2400rpm
019	3.099.0736		3	Yes	6		FEATHER KEY 6X6X25 UNI 6604
020	4.505.0070		3	Yes	1		DRIVING PULLEY - KRON L
026	4.508.0479		1	Yes	1		COVER
030	4.507.0476		2	Yes	1		COVER
031	4.508.0224		2	Yes	2	EXT	BUMPER WHEEL D.110 GREY
033	4.507.0361		2	Yes	2		BUMPER WHEEL SUPPORT
036	4.507.0445		3	Yes	1		TIGHTENING CAM FOR MOTOR
040	4.507.0090		3	Yes	2		SPRING
041	4.507.0420		4	Yes	1		BAR
046	4.507.0446	4.507.1219	1	Yes	1		BRUSH PLATE KRON L2
047	4.508.0524	4.508.1290	1	Yes	1	EXT	BUMPER/SPLASH GUARD KRON L2
048	4.508.0528	4.508.1290	1	Yes	1		BUMPER KRON L2
052	4.507.0422		3	Yes	1		TIGHTENER SUPPORT
055	3.099.0763		3	Yes	2		REDUCTION BEARING HOLDER COVERTYPE ISW050
096	3.602.0007	5.511.1109	3	Yes	1		PPL BRUSH MOD.32-S82-L122 D.406/16 -SPZ0410001-

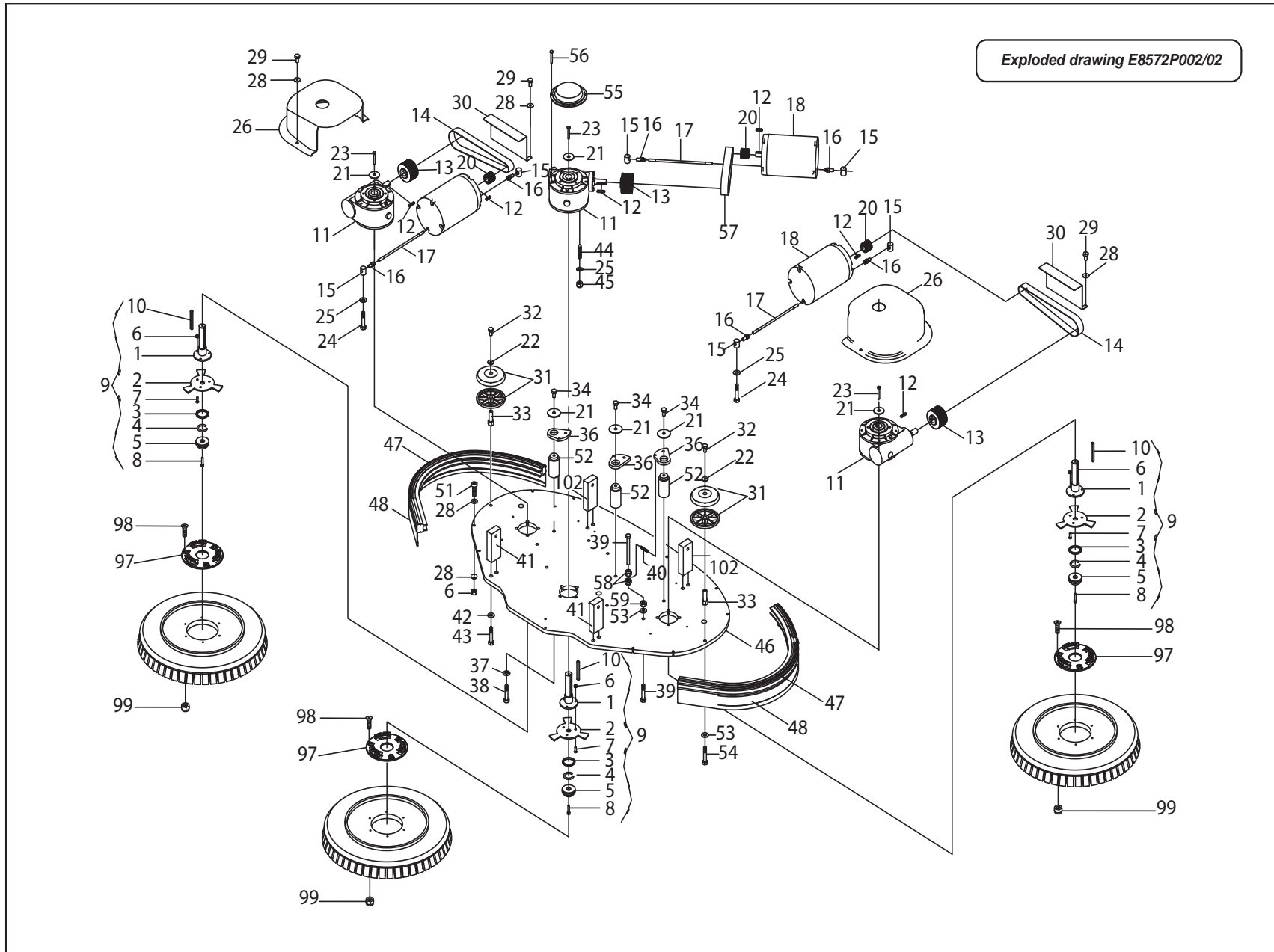
Pos.	Code	Substituted by	Q.ty	Purchasable	Min. Q.ty	For mainten.	Description
097	4.508.0291		2	Yes	2	EXT	FLANGE
101	4.508.0292	4.508.1192	1	Yes	2	EXT	PLASTIC FLANGE FOR BRUSH COUPLING - RIGHT
102	6.508.0009	5.511.1109	1	Yes	1		PPL BRUSH SX MOD.32-S82-L122 D.406/16 C/PL-SPZ0410001C-

Pos.	Code	Substituted by	Q.ty	Purchasable	Min. Q.ty	For mainten.	Description
001	5.513.0085		3	Yes	1		BRUSH COUPLING - KRON L
002	4.507.0300		3	Yes	1		BRUSH COUPLING
003	3.200.0127		3	Yes	2		O-RING D=5.34 L=106
004	4.508.0314		3	Yes	2		OPENED RING
005	4.508.0290		3	Yes	2		BRUSH COUPLING CENTERING BUSHING
006	3.003.0028		17	Yes	12		SELF-LOCKING NUT M6 DIN 982 INOX
007	3.002.0229		9	Yes	12		SCREW M6X20 INOX DIN 7991
008	3.002.0272		3	Yes	12		SCREW M6X30 UNI 5931
009	5.511.0390		3	Yes	1		BRUSH COUPLING ASSEMBLY - KRONL
010	3.099.0587		3	Yes	6		FEATHER KEY 7X8X80 UNI 6604A
011	3.099.0596		3	Yes	1		REDUCER RI 63 P 1/15
012	3.099.0323		3	Yes	12		FEATHER KEY 6X6X30 UNI 6604A
013	4.505.0073		3	Yes	1		DRIVEN PULLEY - KRON L
014	3.099.0699		3	Yes	1	EXT	BELT POLY-V 280 H12
015	4.507.0151		6	Yes	5		MOTOR SUPPORT
016	4.507.0260		6	Yes	5		BUSHING FOR MOTOR SUPPORT
017	4.507.0425		3	Yes	1		MOTOR STUD SCREW - KRON L
018	5.501.0031		3	Yes	1	EXT	MOTOR 1000W 36V 2400rpm
019	3.099.0736		3	Yes	6		FEATHER KEY 6X6X25 UNI 6604
020	4.505.0070		3	Yes	1		DRIVING PULLEY - KRON L
021	3.004.0105		3	Yes	12		PLAIN WASHER D.10X40X2.5 INOXUNI6593
022	3.004.0050		5	Yes	12		PLAIN WASHER D.6X24X2 INOX UNI6593
023	3.002.0217		3	Yes	12		SCREW M6X45 UNI 5931 INOX
024	3.002.0326		6	Yes	12		SCREW M8X25 UNI 5931
025	3.004.0106		18	Yes	12		PLAIN WASHER D.8X16X1.6 INOX UNI6592
026	4.508.0479		1	Yes	1		COVER
027	4.508.0498	4.508.0479	1	Yes	1		COVER
028	3.004.0084		24	Yes	12		PLAIN WASHER D.6X14X1 INOX UNI6592
029	3.002.0214		8	Yes	12		SCREW M6X16 INOX UNI 5931
030	4.507.0476		2	Yes	1		COVER
031	4.508.0224		2	Yes	2	EXT	BUMPER WHEEL D.110 GREY



Pos.	Code	Substituted by	Q.ty	Purchasable	Min. Q.ty	For mainten.	Description
032	3.002.0271		2	Yes	12		SCREW M6X20 UNI 5931
033	4.507.0361		2	Yes	2		BUMPER WHEEL SUPPORT
034	3.002.0557		3	Yes	12		SCREW TE M10X20
035	4.507.0423		3	Yes	2		TIGHTENER WASHER
036	4.507.0445		3	Yes	1		TIGHTENING CAM FOR MOTOR
037	3.004.0048		6	Yes	12		PLAIN WASHER D.10X30X2.5 INOXUNI6593
038	3.002.0533		6	Yes	6		SCREW TE M10X30 UNI 5739 INOX
039	4.507.0477		3	Yes	2		PIN
040	4.507.0467		3	Yes	3		SPRING
041	4.507.0420		4	Yes	1		BAR
042	3.004.0052		8	Yes	12		PLAIN WASHER D.12X24X2.5 INOXUNI6593
043	3.002.0245		8	Yes	6		SCREW TE M12X35 INOX UNI 5739
044	3.002.0390		12	Yes	12		GRUB-SCREW M8X40 UNI 5927 INOX
045	3.003.0052	3.003.0034	12	Yes	12		SELF-LOCKING NUT M8 INOX
046	4.507.0446	4.507.1219	1	Yes	1		BRUSH PLATE KRON L2
047	4.508.0524	4.508.1290	1	Yes	1	EXT	BUMPER/SPLASH GUARD KRON L2
048	4.508.0528	4.508.1290	1	Yes	1		BUMPER KRON L2
049	4.508.0525	4.508.1290	1	Yes	1	EXT	BUMPER/SPLASH GUARD KRON L2
050	4.508.0529	4.508.1290	1	Yes	1		BUMPER KRON L2
051	3.002.0223		8	Yes	12		SCREW M6X35 INOX UNI 5931
052	4.507.0422		3	Yes	1		TIGHTENER SUPPORT
053	3.004.0058		2	Yes	12		PLAIN WASHER D.10.5X20X2 INOXUNI6592
054	3.002.0213		2	Yes	12		SCREW TCEI M10X30 INOX UNI5931
055	3.099.0763		3	Yes	2		REDUCTION BEARING HOLDER COVERTYPE ISW050
056	3.002.0598		12	Yes	12		SCREW TCEI M8X12 UNI 5931 INOX
096	3.602.0007	5.511.1109	3	Yes	1		PPL BRUSH MOD.32-S82-L122 D.406/16 -SPZ0410001-
097	4.508.0291		2	Yes	2	EXT	FLANGE
098	3.002.0222		18	Yes	12		SCREW M5X25 INOX DIN 7991
099	3.003.0035		18	Yes	12		SELF-LOCKING NUT DIN 982 INOX
100	5.511.0257	5.511.1109	2	Yes	1	ORD	ASSIEME SPAZZOLA PPL SX MOD 32 -S82-L122 D 406/16
101	4.508.0292	4.508.1192	1	Yes	2	EXT	PLASTIC FLANGE FOR BRUSH COUPLING - RIGHT

Pos.	Code	Substituted by	Q.ty	Purchasable	Min. Q.ty	For mainten.	Description
102	5.511.0258	5.511.1109	1	Yes	1	ORD	ASSIEME SPAZZOLA PPL DX MOD 32 -S82-L122 D 406/16



Pos.	Code	Substituted by	Q.ty	Purchasable	Min. Q.ty	For mainten.	Description
001	5.513.0085		3	Yes	1		BRUSH COUPLING - KRON L
002	4.507.0300		3	Yes	1		BRUSH COUPLING
003	3.200.0127		3	Yes	2		O-RING D=5.34 L=106
004	4.508.0314		3	Yes	2		OPENED RING
005	4.508.0290		3	Yes	2		BRUSH COUPLING CENTERING BUSHING
006	3.003.0028		17	Yes	12		SELF-LOCKING NUT M6 DIN 982 INOX
007	3.002.0229		9	Yes	12		SCREW M6X20 INOX DIN 7991
008	3.002.0272		3	Yes	12		SCREW M6X30 UNI 5931
009	5.511.0390		3	Yes	1		BRUSH COUPLING ASSEMBLY - KRONL
010	3.099.0587		3	Yes	6		FEATHER KEY 7X8X80 UNI 6604A
011	3.099.0596		3	Yes	1		REDUCER RI 63 P 1/15
012	3.099.0323		3	Yes	12		FEATHER KEY 6X6X30 UNI 6604A
013	4.505.0073		3	Yes	1		DRIVEN PULLEY - KRON L
014	3.099.0699		3	Yes	1	EXT	BELT POLY-V 280 H12
015	4.507.0151		6	Yes	5		MOTOR SUPPORT
016	4.507.0260		6	Yes	5		BUSHING FOR MOTOR SUPPORT
017	4.507.0425		3	Yes	1		MOTOR STUD SCREW - KRON L
018	5.501.0031		3	Yes	1	EXT	MOTOR 1000W 36V 2400rpm
019	3.099.0736		3	Yes	6		FEATHER KEY 6X6X25 UNI 6604
020	4.505.0070		3	Yes	1		DRIVING PULLEY - KRON L
021	3.004.0105		3	Yes	12		PLAIN WASHER D.10X40X2.5 INOXUNI6593
022	3.004.0050		5	Yes	12		PLAIN WASHER D.6X24X2 INOX UNI6593
023	3.002.0217		3	Yes	12		SCREW M6X45 UNI 5931 INOX
024	3.002.0326		6	Yes	12		SCREW M8X25 UNI 5931
025	3.004.0106		18	Yes	12		PLAIN WASHER D.8X16X1.6 INOX UNI6592
026	4.508.0479		1	Yes	1		COVER
027	4.508.0498	4.508.0479	1	Yes	1		COVER
028	3.004.0084		24	Yes	12		PLAIN WASHER D.6X14X1 INOX UNI6592
029	3.002.0214		8	Yes	12		SCREW M6X16 INOX UNI 5931
030	4.507.0476		2	Yes	1		COVER
031	4.508.0224		2	Yes	2	EXT	BUMPER WHEEL D.110 GREY

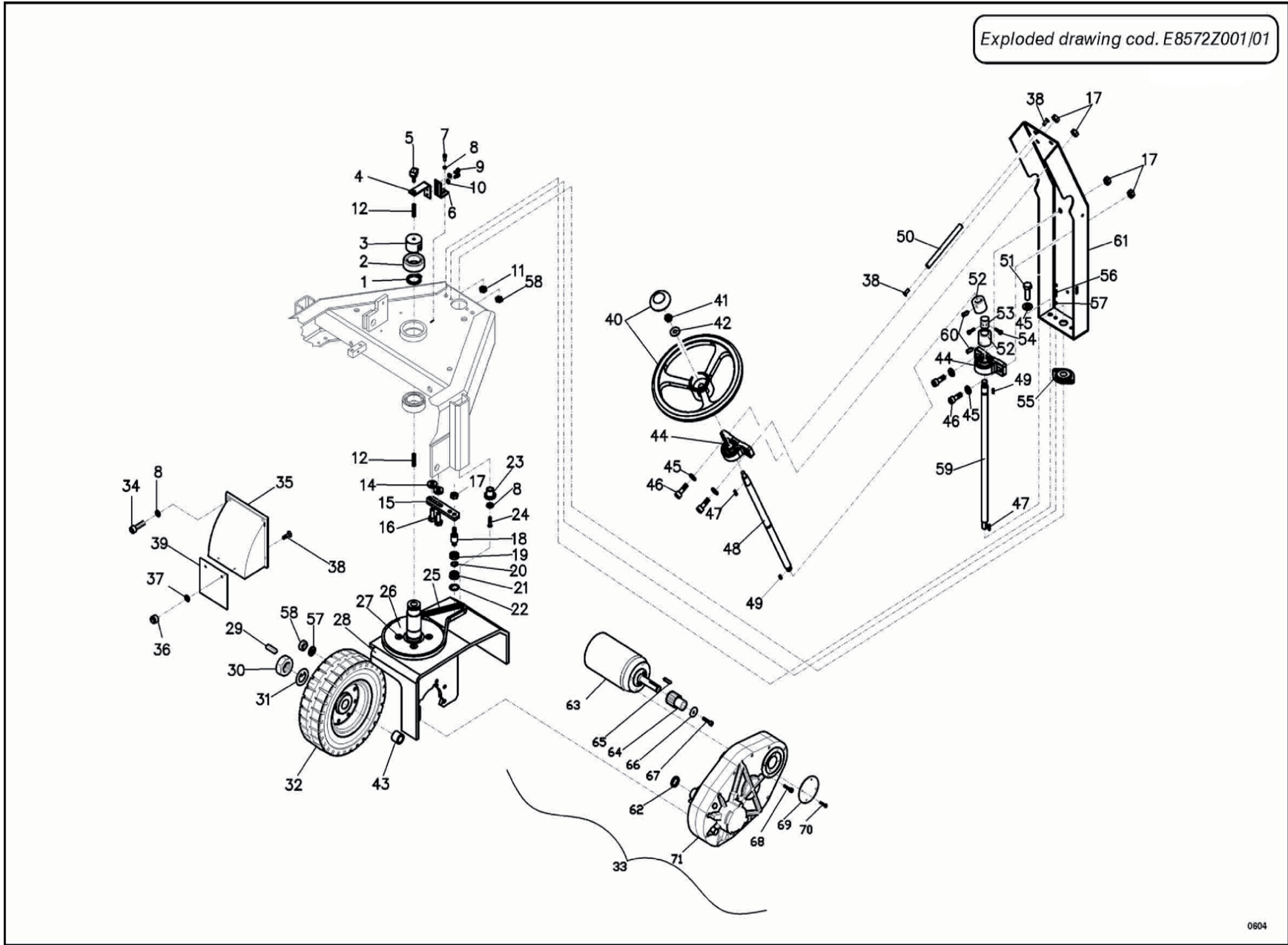
Pos.	Code	Substituted by	Q.ty	Purchasable	Min. Q.ty	For mainten.	Description
032	3.002.0271		2	Yes	12		SCREW M6X20 UNI 5931
033	4.507.0361		2	Yes	2		BUMPER WHEEL SUPPORT
034	3.002.0557		3	Yes	12		SCREW TE M10X20
035	4.507.0423		3	Yes	2		TIGHTENER WASHER
036	4.507.0445		3	Yes	1		TIGHTENING CAM FOR MOTOR
037	3.004.0048		6	Yes	12		PLAIN WASHER D.10X30X2.5 INOXUNI6593
038	3.002.0533		6	Yes	6		SCREW TE M10X30 UNI 5739 INOX
039	4.507.0477		3	Yes	2		PIN
040	4.507.0467		3	Yes	3		SPRING
041	4.507.0420		4	Yes	1		BAR
042	3.004.0052		8	Yes	12		PLAIN WASHER D.12X24X2.5 INOXUNI6593
043	3.002.0245		8	Yes	6		SCREW TE M12X35 INOX UNI 5739
044	3.002.0390		12	Yes	12		GRUB-SCREW M8X40 UNI 5927 INOX
045	3.003.0052	3.003.0034	12	Yes	12		SELF-LOCKING NUT M8 INOX
046	4.507.0446	4.507.1219	1	Yes	1		BRUSH PLATE KRON L2
047	4.508.0524	4.508.1290	1	Yes	1	EXT	BUMPER/SPLASH GUARD KRON L2
048	4.508.0528	4.508.1290	1	Yes	1		BUMPER KRON L2
051	3.002.0223		8	Yes	12		SCREW M6X35 INOX UNI 5931
052	4.507.0422		3	Yes	1		TIGHTENER SUPPORT
053	3.004.0058		2	Yes	12		PLAIN WASHER D.10.5X20X2 INOXUNI6592
054	3.002.0213		2	Yes	12		SCREW TCEI M10X30 INOX UNI5931
055	3.099.0763		3	Yes	2		REDUCTION BEARING HOLDER COVERTYPE ISW050
056	3.002.0598		12	Yes	12		SCREW TCEI M8X12 UNI 5931 INOX
096	3.602.0007	5.511.1109	3	Yes	1		PPL BRUSH MOD.32-S82-L122 D.406/16 -SPZ0410001-
097	4.508.1192		3	Yes	2	EXT	UNIFIED FLANGE FOR BRUSH COUPLING
098	3.002.0222		18	Yes	12		SCREW M5X25 INOX DIN 7991
099	3.003.0035		18	Yes	12		SELF-LOCKING NUT DIN 982 INOX
100	6.508.0015	5.511.1111	3	Yes	1		PAD HOLDER EWU MOF.32-S82 L1 22 D.406/16 C/PLA
102	4.507.1064		1	Yes	1		SUPPORT

## Despiece Técnico - BARREDORA KF120B

Pos.	Code	Substituted by	Q.ty	Purchasable	Min. Q.ty	For mainten.	Description
001	5.513.0036		1	Yes	1		SQUEEGEE SUPPORT
002	4.508.0237		4	Yes	3		NYLON BUSHING FOR SQUEEGEE
003	4.507.0178		2	Yes	1		PIN
005	3.004.0100	3.004.0049	2	Yes	12		PLAIN WASHER D.10.5X21 INOX UNI6592
009	3.004.0094		14	Yes	12		WASHER D.8X17 Sp.1,6 UNI6592 INOX
010	3.099.0466		2	Yes	2		KNOB M10 X30
012	5.513.0092		1	Yes	1		SQUEEGEE - KRON L2
014	4.508.0219		1	Yes	1		FRONT SQUEEGEE BLADE - L2
015	4.507.0447		2	Yes	1		FRONT BRACKET FOR SQUEEGEE LOCKING
016	4.508.0218		1	Yes	1		REAR SQUEEGEE BLADE - L2
017	4.507.0448		2	Yes	1		REAR BRACKET FOR SQUEEGEE LOCKING
018	3.002.0210		3	Yes	12		SCREW M6X25 INOX UNI 5931
021	4.508.0224		2	Yes	2	EXT	BUMPER WHEEL D.110 GREY
023	3.004.0048		2	Yes	12		PLAIN WASHER D.10X30X2.5 INOXUNI6593
024	3.002.0211		2	Yes	12		SCREW TCEI M10X25 INOX UNI5931
025	3.099.0472	3.100.0224	1	Yes	2		SLEEVE 2 A.84.3 BLACK
027	3.099.0467		12	Yes	2		KNOB M8
032	3.001.0046	3.001.0035	1	Yes	1		BEARING SBPFL204
035	4.508.0235		1	Yes	1		SLIDING BLOCK
036	3.004.0050		4	Yes	12		PLAIN WASHER D.6X24X2 INOX UNI6593
038	3.002.0326		2	Yes	12		SCREW M8X25 UNI 5931
041	4.507.0185		1	Yes	1		ADJUSTING SCREW
047	3.099.0653		1	Yes	1		HOSE SUPERFLEX KLL M D.50+1 SLLEEVE D.50 L=330
048	3.099.0651	3.099.0739	1	Yes	1		HOSE SUPERFLEX KLL M D.38+ SLEEVE D.38 L=1450
049	3.099.0588		1	Yes	2		CLAMP 50-65 H=12
051	3.099.0553	3.099.0742	1	Yes	6		HOSE CLAMP 32-51
053	3.004.0058		2	Yes	12		PLAIN WASHER D.10.5X20X2 INOXUNI6592
054	4.507.0436	3.002.0499	4	Yes	6		GRUB-SCREW M8X90
055	4.507.0435		2	Yes	2		GRUB-SCREW M8X80
056	4.507.0434		4	Yes	2		GRUB-SCREW M8X70
058	4.506.0036		1	Yes	1		RING NUT FOR WHEEL ADJUSTMENT

Pos.	Code	Substituted by	Q.ty	Purchasable	Min. Q.ty	For mainten.	Description
059	3.003.0036		1	Yes	12		NUT M10 DIN 934 INOX
068	4.507.0176		2	Yes	1		WHEEL COUPLING
069	3.006.0054		2	Yes	1	EXT	WHEEL 80X25 C/BEARINGS
070	3.002.0251		2	Yes	6		SCREW M8X60 UNI 5931
071	3.004.0049		6	Yes	12		PLAIN WASHER D.8X24X2 INOX UNI6593
072	3.003.0034		16	Yes	12		SELF-LOCKING NUT M8 DIN 982 INOX
073	3.099.0530		2	Yes	2		KNOB M8X50 D=30 L=50
074	4.506.0067		2	Yes	1		KNOB
075	5.511.0208		1	Yes	1		SUCTION BOX WITH FILTER ASSEMBLY
076	4.508.0238		1	Yes	2	EXT	GASKET FOR SUCTION BOX COVER
077	5.513.0037		1	Yes	1		SUCTION BOX
078	4.507.0189		1	Yes	1		SUCTION BOX COVER
079	3.002.0521		2	Yes	6		SCREW M10X25 UNI 5739 INOX
080	4.506.0057		2	Yes	4		KNOB
081	3.002.0359		2	Yes	12		SCREW M8X25 UNI 5923 INOX
082	3.099.0468		1	Yes	1		WIRE NET 350x65

Exploded drawing cod. E8572Z001/01



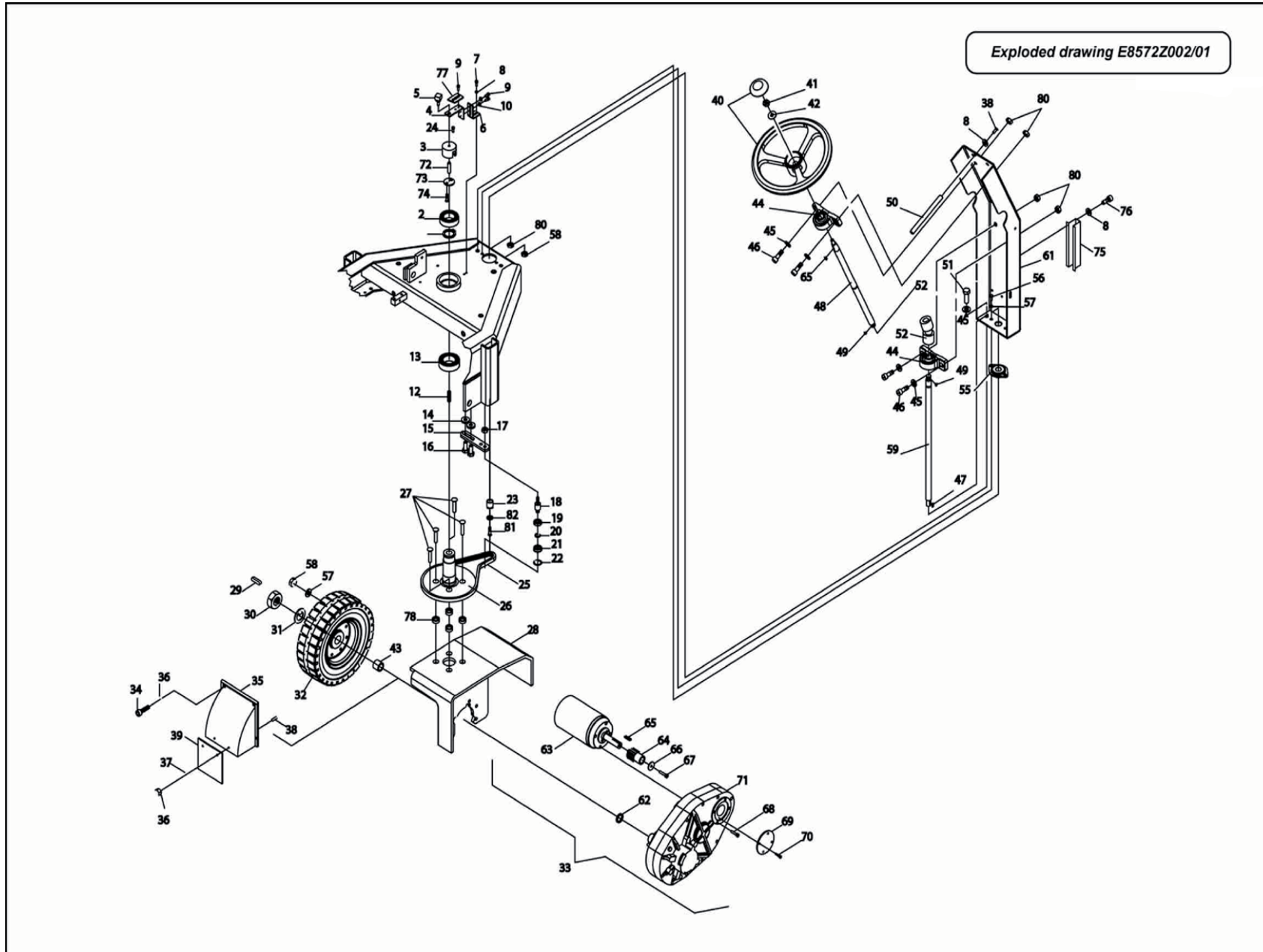
0604



## Despiece Técnico - BARREDORA KF120B

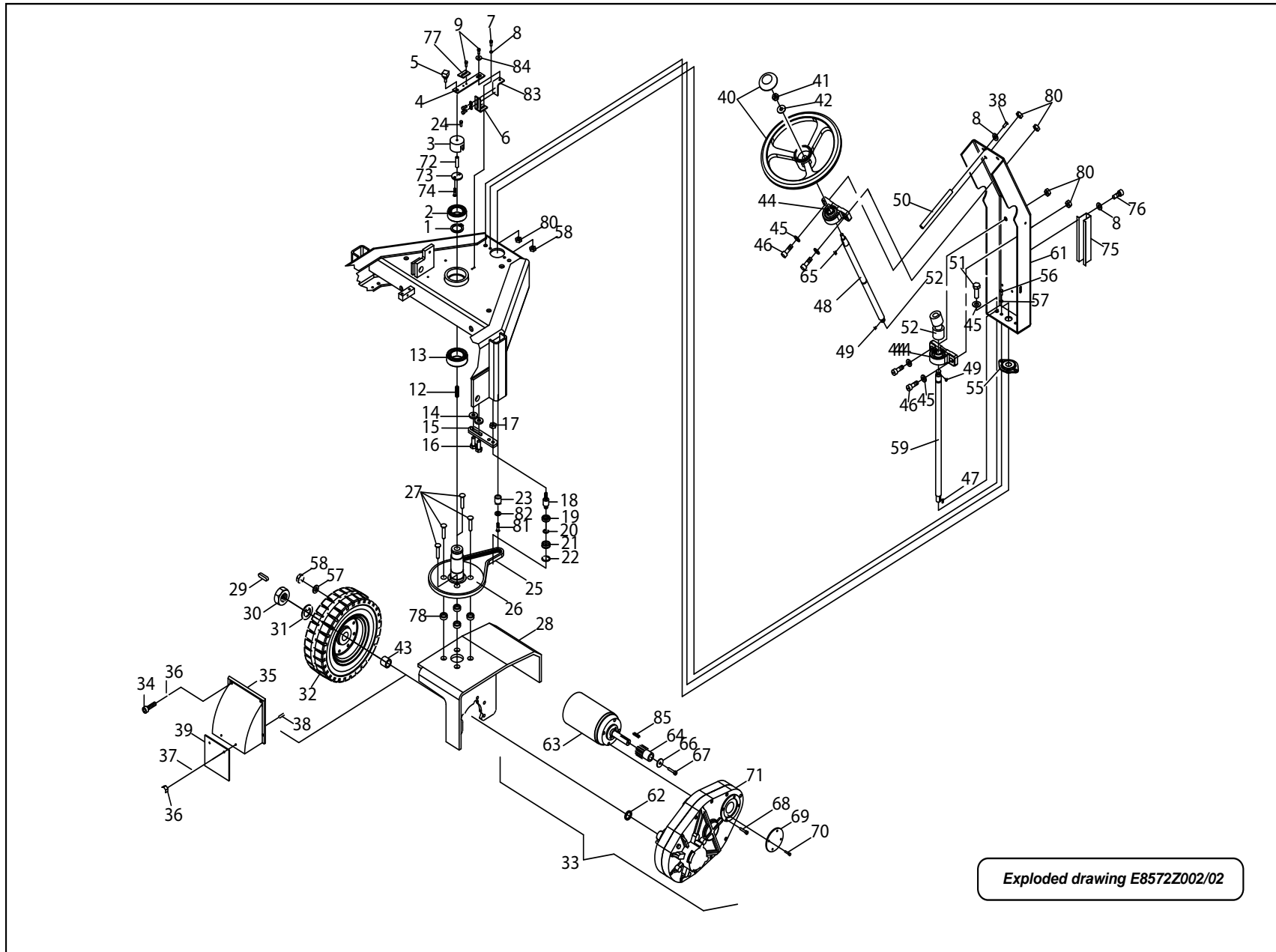
Pos.	Code	Substituted by	Q.ty	Purchasable	Min. Q.ty	For mainten.	Description
001	3.099.0124		1	Yes	12		RING LOCKER X SHAFT D.42 UNI 7435
002	3.001.0062		1	Yes	1		BEARING 63008 2RSI
003	4.507.0386	5.511.1194	1	Yes	1		BUSHING FOR POTENTIOMETER
004	4.507.0387		1	Yes	2		SUPPORT FOR POTENTIOMETER
005	3.499.0123	3.499.0478	1	Yes	1	EXT	POTENTIOMETER 10 K SHAFT D6mm
006	4.507.0388		1	Yes	1		BRACKET
013	3.001.0063		1	Yes	1		BEARING 63009 2RSI
014	3.004.0100	3.004.0049	2	Yes	12		PLAIN WASHER D.10.5X21 INOX UNI6592
015	4.507.0206		1	Yes	1		CHAIN TIGHTENER BRACKET
017	3.003.0405		5	Yes	6		NUT M12 UNI 5588 INOX
018	4.507.0319		1	Yes	4		BUSHING FOR CHAIN TIGHTENER
019	4.507.0320		1	Yes	1		PINION FOR STEERING CHAIN TIGHTENER
020	3.099.0057		1	Yes	12		SEEGER RING D.12 UNI 7435
021	3.001.0055		1	Yes	5		BEARING 6001 2RS1 12X28X8
022	3.099.0539		1	Yes	12		ELASTIC RING D. 28 UNI7437
023	4.507.0454		1	Yes	1		STEERING WHEEL PINION - KRONL
025	3.099.0752		1	Yes	1		CHAIN
026	4.507.0442		1	Yes	1		CROWN GEAR FOR STEERING WHEEL- KRON L
028	5.513.0091		1	Yes	1		FRONT MOTORWHEEL FRAME - KRONL
029	3.099.0512		1	Yes	6		FEATHER KEY 10X8X35 UNI 6604A
031	3.099.0509		1	Yes	12		SAFETY WASHER Diam.=30 DIN 4621
032	4.508.0448		1	Yes	1	EXT	WHEEL
033	5.511.0349		1	Yes	1		FRONT MOTORWHEEL ASSEMBLY - KRON L
035	4.508.0520		1	Yes	1		SPLASH GUARD COVER
039	4.508.0322		1	Yes	4		SPLASH GUARD KRON S - M 1
040	3.099.0701		1	Yes	1		STEERING WHEEL
043	4.507.0462		1	Yes	1		SPACER FOR WHEEL - KRON L
044	3.001.0047		2	Yes	1		STRAIGHT SUPPORT D.20
047	3.099.0054		2	Yes	12		FEATHER KEY 5X5X20 UNI 6604
048	4.507.0449		1	Yes	1		STEERING WHEEL UPPER SHAFT - KRON L2
049	3.099.0013		2	Yes	12		FEATHER KEY 5X5X15

Pos.	Code	Substituted by	Q.ty	Purchasable	Min. Q.ty	For mainten.	Description
050	4.507.0483		1	Yes	1		BRACKET
052	4.507.0276	3.099.1134	2	Yes	1		BUSHING
053	4.507.0277	3.099.1134	1	Yes	1		PIN
055	3.001.0046	3.001.0035	1	Yes	1		BEARING SBPFL204
059	4.507.0450		1	Yes	1		STEERING WHEEL LOWER SHAFT - KRON L2
061	5.513.0093		1	Yes	1		STEERING COLUMN - KRON L
062	3.201.0026		1	Yes	5		OIL SEAL AS 35X47X7 DIN3761
063	5.501.0030		1	Yes	1	EXT	MOTOR 600W-36V-2000rpm
064	4.507.0409		1	Yes	1		GEAR Z=19 m=1.5 ANGLE=10 KRONL
065	3.099.0592		1	Yes	12		FEATHER KEY 5X5X30 UNI 6604A
069	4.505.0067		1	Yes	1		MOTORWHEEL COVER PLUG
071	5.511.0435		1	Yes	1		MOTORWHEEL KRON L



Pos.	Code	Substituted by	Q.ty	Purchasable	Min. Q.ty	For mainten.	Description
001	3.099.0769		1	Yes	6		SEEGER RING FOR SHAFT D.40 UNI7435
002	3.001.0062		1	Yes	1		BEARING 63008 2RSI
003	4.506.0148		1	Yes	1		BUSHING
004	4.507.0897		1	Yes	1		SUPPORT
005	4.508.0708	3.499.0478	1	Yes	1	EXT	POTENTIOMETER
006	4.507.0898		1	Yes	1		BRACKET
013	3.001.0063		1	Yes	1		BEARING 63009 2RSI
014	3.004.0100	3.004.0049	2	Yes	12		PLAIN WASHER D.10.5X21 INOX UNI6592
015	4.507.0206		1	Yes	1		CHAIN TIGHTENER BRACKET
018	4.507.0319		1	Yes	4		BUSHING FOR CHAIN TIGHTENER
019	4.507.0320		1	Yes	1		PINION FOR STEERING CHAIN TIGHTENER
020	3.099.0057		1	Yes	12		SEEGER RING D.12 UNI 7435
021	3.001.0055		1	Yes	5		BEARING 6001 2RS1 12X28X8
022	3.099.0539		1	Yes	12		ELASTIC RING D. 28 UNI7437
023	4.507.0454		1	Yes	1		STEERING WHEEL PINION - KRONL
025	3.099.0752		1	Yes	1		CHAIN
026	4.507.0442		1	Yes	1		CROWN GEAR FOR STEERING WHEEL- KRON L
028	5.513.0091		1	Yes	1		FRONT MOTORWHEEL FRAME - KRONL
029	3.099.0512		1	Yes	6		FEATHER KEY 10X8X35 UNI 6604A
031	3.099.0509		1	Yes	12		SAFETY WASHER Diam.=30 DIN 4621
032	4.508.0448		1	Yes	1	EXT	WHEEL
033	5.511.0349		1	Yes	1		FRONT MOTORWHEEL ASSEMBLY - KRON L
035	4.508.0520		1	Yes	1		SPLASH GUARD COVER
039	4.508.0322		1	Yes	4		SPLASH GUARD KRON S - M 1
040	3.099.0701		1	Yes	1		STEERING WHEEL
043	4.507.0462		1	Yes	1		SPACER FOR WHEEL - KRON L
044	3.001.0047		2	Yes	1		STRAIGHT SUPPORT D.20
047	3.099.0054		2	Yes	12		FEATHER KEY 5X5X20 UNI 6604
048	4.507.0449		1	Yes	1		STEERING WHEEL UPPER SHAFT - KRON L2
049	3.099.0013		2	Yes	12		FEATHER KEY 5X5X15
050	4.507.0483		1	Yes	1		BRACKET

Pos.	Code	Substituted by	Q.ty	Purchasable	Min. Q.ty	For mainten.	Description
052	3.099.1134		1	Yes	1		CARDAN JOINT GS 32.16
055	3.001.0035		1	Yes	1		BEARING HOUSING + BEARING BPFL4
059	4.507.0450		1	Yes	1		STEERING WHEEL LOWER SHAFT - KRON L2
061	5.513.0093		1	Yes	1		STEERING COLUMN - KRON L
062	3.201.0026		1	Yes	5		OIL SEAL AS 35X47X7 DIN3761
063	5.501.0030		1	Yes	1	EXT	MOTOR 600W-36V-2000rpm
064	4.507.0409		1	Yes	1		GEAR Z=19 m=1.5 ANGLE=10 KRONL
065	3.099.0592		1	Yes	12		FEATHER KEY 5X5X30 UNI 6604A
069	4.505.0067		1	Yes	1		MOTORWHEEL COVER PLUG
071	5.511.0435		1	Yes	1		MOTORWHEEL KRON L
072	3.099.0136		1	Yes	12		PIN 2X12 UNI 1708
073	4.507.0810		1	Yes	1		PLUG SUPPORT - KRON L
075	4.507.0862		1	Yes	1		COVER
077	4.507.0899		1	Yes	1		SUPPORT
078	4.507.0588		4	Yes	6		SPACER



Exploded drawing E8572Z002/02

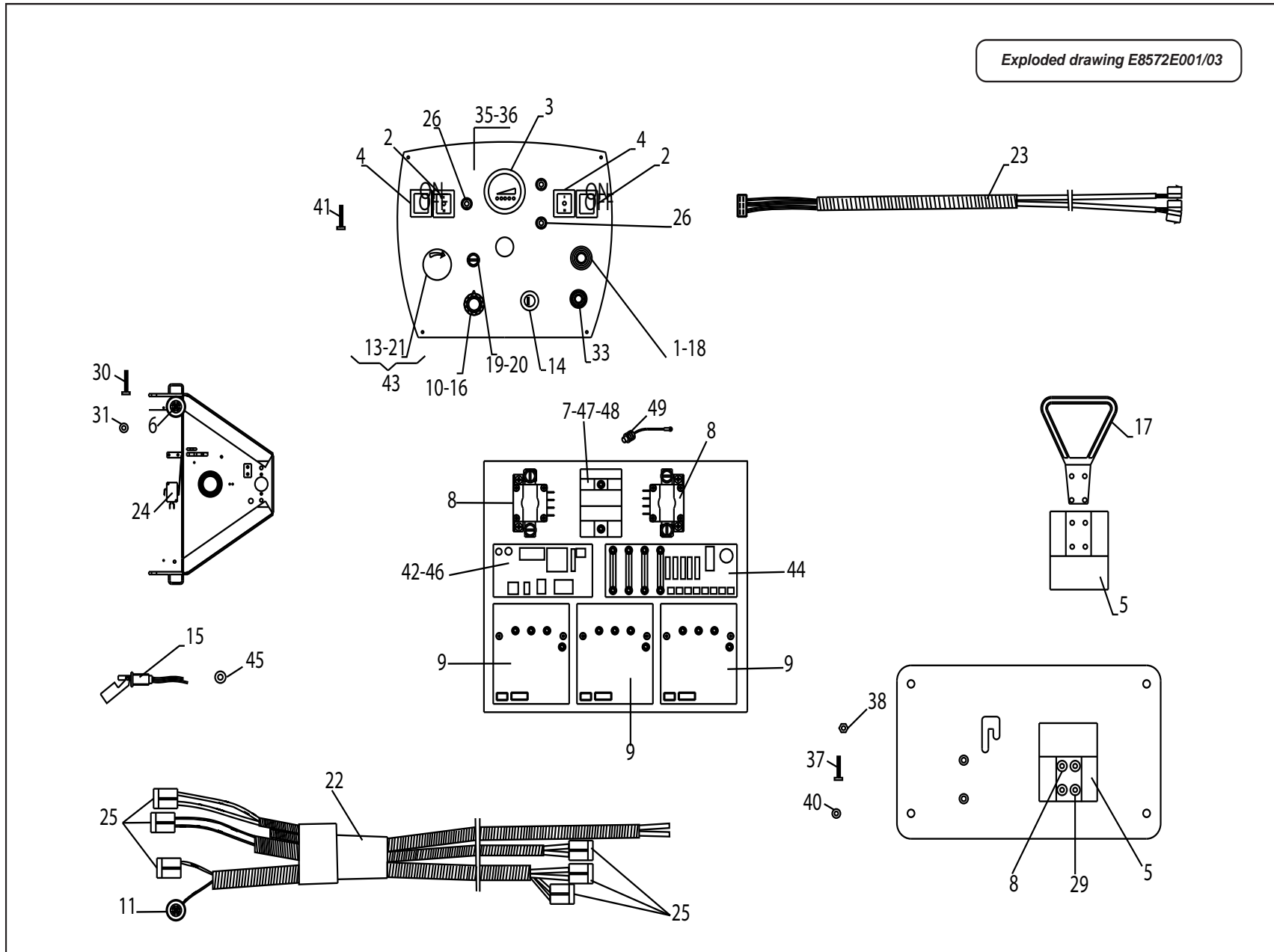
Pos.	Code	Substituted by	Q.ty	Purchasable	Min. Q.ty	For mainten.	Description
002	3.001.0062		1	Yes	1		BEARING 63008 2RSI
003	4.506.0148		1	Yes	1		BUSHING
004	4.507.1145		1	Yes	1		POTENTIOMETER SUPPORT
005	4.508.0708	3.499.0478	1	Yes	1	EXT	POTENTIOMETER
006	4.507.0898		1	Yes	1		BRACKET
013	3.001.0063		1	Yes	1		BEARING 63009 2RSI
015	4.507.0206		1	Yes	1		CHAIN TIGHTENER BRACKET
018	4.507.0319		1	Yes	4		BUSHING FOR CHAIN TIGHTENER
019	4.507.0320		1	Yes	1		PINION FOR STEERING CHAIN TIGHTENER
020	3.099.0057		1	Yes	12		SEEGER RING D.12 UNI 7435
021	3.001.0055		1	Yes	5		BEARING 6001 2RS1 12X28X8
022	3.099.0539		1	Yes	12		ELASTIC RING D. 28 UNI7437
023	4.507.0454		1	Yes	1		STEERING WHEEL PINION - KRONL
025	3.099.0752		1	Yes	1		CHAIN
026	4.507.0442		1	Yes	1		CROWN GEAR FOR STEERING WHEEL- KRON L
028	5.513.0091		1	Yes	1		FRONT MOTORWHEEL FRAME - KRONL
029	3.099.0512		1	Yes	6		FEATHER KEY 10X8X35 UNI 6604A
031	4.507.0432		1	Yes	1		TAB WASHER - KRON L
032	4.508.0448		1	Yes	1	EXT	WHEEL
033	5.511.0349		1	Yes	1		FRONT MOTORWHEEL ASSEMBLY - KRON L
035	4.508.0520		1	Yes	1		SPLASH GUARD COVER
039	4.508.0322		1	Yes	4		SPLASH GUARD KRON S - M 1
040	3.099.0701		1	Yes	1		STEERING WHEEL
043	4.507.0462		1	Yes	1		SPACER FOR WHEEL - KRON L
044	3.001.0047		2	Yes	1		STRAIGHT SUPPORT D.20
047	3.099.0054		2	Yes	12		FEATHER KEY 5X5X20 UNI 6604
048	4.507.0449		1	Yes	1		STEERING WHEEL UPPER SHAFT - KRON L2
049	3.099.0013		2	Yes	12		FEATHER KEY 5X5X15
050	4.507.0483		1	Yes	1		BRACKET
052	3.099.1134		1	Yes	1		CARDAN JOINT GS 32.16
055	3.001.0035		1	Yes	1		BEARING HOUSING + BEARING BPFL4

Pos.	Code	Substituted by	Q.ty	Purchasable	Min. Q.ty	For mainten.	Description
059	4.507.0450		1	Yes	1		STEERING WHEEL LOWER SHAFT - KRON L2
061	5.513.0093		1	Yes	1		STEERING COLUMN - KRON L
062	3.201.0026		1	Yes	5		OIL SEAL AS 35X47X7 DIN3761
063	5.501.0030		1	Yes	1	EXT	MOTOR 600W-36V-2000rpm
064	4.507.0409		1	Yes	1		GEAR Z=19 m=1.5 ANGLE=10 KRONL
065	3.099.0592		1	Yes	12		FEATHER KEY 5X5X30 UNI 6604A
069	4.505.0067		1	Yes	1		MOTORWHEEL COVER PLUG
071	5.511.0435		1	Yes	1		MOTORWHEEL KRON L
072	3.099.0136		1	Yes	12		PIN 2X12 UNI 1708
073	4.507.0810		1	Yes	1		PLUG SUPPORT - KRON L
075	4.507.0862		1	Yes	1		COVER
077	4.507.0899		1	Yes	1		SUPPORT
078	4.507.1065		4	Yes	3		SPACER
083	4.507.1146		1	Yes	1		BRACKET FOR VERTICAL ADJUSTMENT
084	4.506.0213		1	Yes	2		PIN
085	3.099.1015		1	Yes	12		FEATHER KEY 5X5X35 UNI 6604A
088	3.099.0899		1	Yes	6		PARALLEL PIN 6X12



Pos.	Code	Substituted by	Q.ty	Purchasable	Min. Q.ty	For mainten.	Description
001	3.403.0056		1	Yes	1		JOYSTICK ECX 1512
002	5.009.0213		2	Yes	3	EXT	SWITCH WITH PROTECTION 12(10)
003	3.403.0057		1	Yes	1	EXT	BATTERY CHARGE INDICATOR
004	3.401.0096	3.401.0112	2	Yes	3	EXT	DOUBLE-POLE SWITCH 250V 16A POS. I/0/II
005	3.499.0051		2	Yes	1	EXT	ANDERSON PLUG - GREY
006	3.499.0105		1	Yes	1		ELECTRIC HORN 36V X FLOORCLEANING
007	3.402.0031		1	Yes	1	EXT	RELAY MAC01 36V
008	3.402.0028		2	Yes	1	EXT	RELAY MAC15 36V
009	3.403.0065		3	Yes	1	EXT	CHOPPER BOARD 4QHF2D 36V
010	3.499.0123	3.499.0478	1	Yes	1	EXT	POTENTIOMETER 10 K SHAFT D6mm
011	3.499.0040		1	Yes	1		BUZZER
013	3.401.0107		1	Yes	1	EXT	ROTATION SWITCH
014	3.403.0061	3.401.0071	1	No		EXT	KEY SWITCH
015	3.403.0062	5.511.1228	1	Yes	1		FLOATING SWITCH P500N
016	3.099.0533		1	Yes	5		POTENTIOMETER KNOB D. 6
017	3.499.0037		1	Yes	2		HANDLE FOR ANDERSON PLUG
018	3.401.0097		7	Yes	2	EXT	NORMALLY OPEN CONTACT
019	3.499.0124		1	Yes	12	EXT	FUSE 20A
020	3.499.0044		1	Yes	4		FUSE-HOLDER 20A
021	3.401.0098		2	Yes	2	EXT	NORMALLY CLOSED CONTACT
022	3.499.0110		1	Yes	1		FRONT WIRING CABLE 36 V
023	3.499.0111		1	Yes	1		MAIN WIRING CABLE 36 V
024	3.401.0094		1	Yes	1	EXT	MICROSWITCH WITH LEVER 21A 250VAC
025	3.499.0029		6	Yes	2		RED CONNECTOR SR50
026	3.401.0101		2	Yes	1	EXT	THERMAL CIRCUIT BREAKER 4A
028	4.508.0317		2	Yes	6		LONG SPACER FOR ANDERSON PLUG
029	4.508.0316		2	Yes	6		SHORT SPACER FOR ANDERSON PLUG
033	3.401.0103		1	Yes	2	EXT	PUSH BUTTON
035	4.505.0060		1	Yes	1		DASHBOARD KRON L
040	3.004.0047		4	Yes	12		PLAIN WASHER D.6X12X2 INOX UNI6592

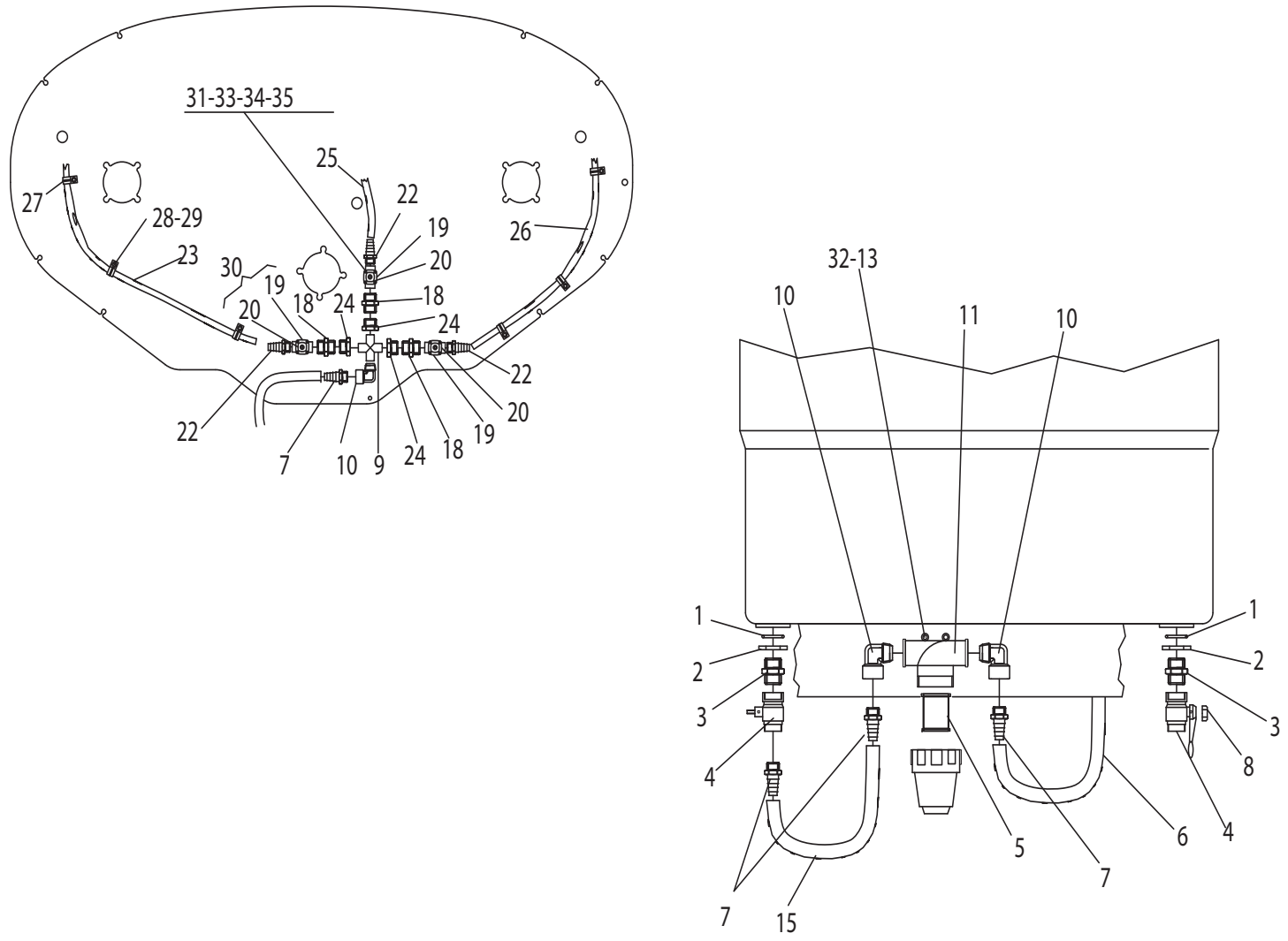
Pos.	Code	Substituted by	Q.ty	Purchasable	Min. Q.ty	For mainten.	Description
001	3.403.0056		1	Yes	1		JOYSTICK ECX 1512
002	5.009.0213		2	Yes	3	EXT	SWITCH WITH PROTECTION 12(10)
003	3.403.0099		1	Yes	1	EXT	BATTERY CHARGE INDICATOR WITH HOUR METER
004	3.401.0139		2	Yes	3	EXT	DOUBLE-POLE SWITCH COMAREL 280218 BLACK
005	3.499.0051		2	Yes	1	EXT	ANDERSON PLUG - GREY
006	3.499.0105		1	Yes	1		ELECTRIC HORN 36V X FLOORCLEANING
007	3.402.0031		1	Yes	1	EXT	RELAY MAC01 36V
008	3.402.0028		2	Yes	1	EXT	RELAY MAC15 36V
009	3.403.0105		3	Yes	1	EXT	CHOPPER BOARD 4QHF2D 36V 140AX CA41
010	3.499.0123	3.499.0478	1	Yes	1	EXT	POTENTIOMETER 10 K SHAFT D6mm
011	3.499.0040		1	Yes	1		BUZZER
012	3.403.0158		1	Yes	1	EXT	FUSE-HOLDER BOARD KRON L
013	3.401.0107		1	Yes	1	EXT	ROTATION SWITCH
014	3.403.0071	3.403.0156	1	Yes	1	EXT	ELECTRICAL BOARD 230/50 VICT.DELAY TS
015	3.403.0043	5.511.1228	1	Yes	1	EXT	FLOATING SWITCH
016	3.099.0533		1	Yes	5		POTENTIOMETER KNOB D. 6
017	3.499.0037		1	Yes	2		HANDLE FOR ANDERSON PLUG
018	3.401.0097		7	Yes	2	EXT	NORMALLY OPEN CONTACT
019	3.499.0124		1	Yes	12	EXT	FUSE 20A
020	3.499.0044		1	Yes	4		FUSE-HOLDER 20A
021	3.401.0098		2	Yes	2	EXT	NORMALLY CLOSED CONTACT
022	3.499.0110		1	Yes	1		FRONT WIRING CABLE 36 V
023	3.499.0111		1	Yes	1		MAIN WIRING CABLE 36 V
024	3.401.0094		1	Yes	1	EXT	MICROSWITCH WITH LEVER 21A 250VAC
025	3.499.0029		6	Yes	2		RED CONNECTOR SR50
026	3.401.0101		2	Yes	1	EXT	THERMAL CIRCUIT BREAKER 4A
029	4.508.0316		2	Yes	6		SHORT SPACER FOR ANDERSON PLUG
033	3.401.0103		1	Yes	2	EXT	PUSH BUTTON
035	4.505.0060		1	Yes	1		DASHBOARD KRON L
042	3.499.0280		1	Yes	1	EXT	CA40 BOARD
043	5.511.0615		1	Yes	1		EMERGENCY SWITCH ASSEMBLY



Pos.	Code	Substituted by	Q.ty	Purchasable	Min. Q.ty	For mainten.	Description
001	5.511.0612		1	Yes	1		KRON S JOYSTICK ASSEMBLY
002	6.505.0033		1	Yes	1	EXT	SWITCH KIT
003	3.403.0099		1	Yes	1	EXT	BATTERY CHARGE INDICATOR WITH HOUR METER
005	3.499.0051		2	Yes	1	EXT	ANDERSON PLUG - GREY
006	3.499.0105		1	Yes	1		ELECTRIC HORN 36V X FLOORCLEANING
007	3.402.0040		1	Yes	1		REMOTE CONTROL SWITCH
008	3.402.0028		2	Yes	1	EXT	RELAY MAC15 36V
009	3.403.0105		3	Yes	1	EXT	CHOPPER BOARD 4QHF2D 36V 140AX CA41
010	6.505.0034		1	Yes	1	EXT	POTENTIOMETER KIT
011	3.499.0040		1	Yes	1		BUZZER
014	3.401.0071		1	No		EXT	KEY SWITCH
015	3.403.0043	5.511.1228	1	Yes	1	EXT	FLOATING SWITCH
017	3.499.0037		1	Yes	2		HANDLE FOR ANDERSON PLUG
019	3.499.0124		1	Yes	12	EXT	FUSE 20A
022	3.499.0110		1	Yes	1		FRONT WIRING CABLE 36 V
023	3.499.0111		1	Yes	1		MAIN WIRING CABLE 36 V
024	3.401.0094		1	Yes	1	EXT	MICROSWITCH WITH LEVER 21A 250VAC
025	3.499.0029		6	Yes	2		RED CONNECTOR SR50
026	3.401.0101		2	Yes	1	EXT	THERMAL CIRCUIT BREAKER 4A
029	4.508.0316		2	Yes	6		SHORT SPACER FOR ANDERSON PLUG
033	3.401.0103		1	Yes	2	EXT	PUSH BUTTON
035	4.505.0060		1	Yes	1		DASHBOARD KRON L
036	7.503.0060		1	Yes	1		STICKER FOR DASHBOARD - KRON L
042	3.499.0280		1	Yes	1	EXT	CA40 BOARD
043	5.511.0615		1	Yes	1		EMERGENCY SWITCH ASSEMBLY
044	3.403.0158		1	Yes	1	EXT	FUSE-HOLDER BOARD KRON L
045	3.201.0043		1	Yes	12		SEALING RING
046	5.511.0315		1	Yes	1		PLATE WITH HARNESS
047	5.511.0316		1	Yes	1		DASHBOARD ASSEMBLY KRON L
049	3.499.0353		1	Yes	1		DIODE
050	4.508.1246		4	Yes	6		CLAMP BUTTON

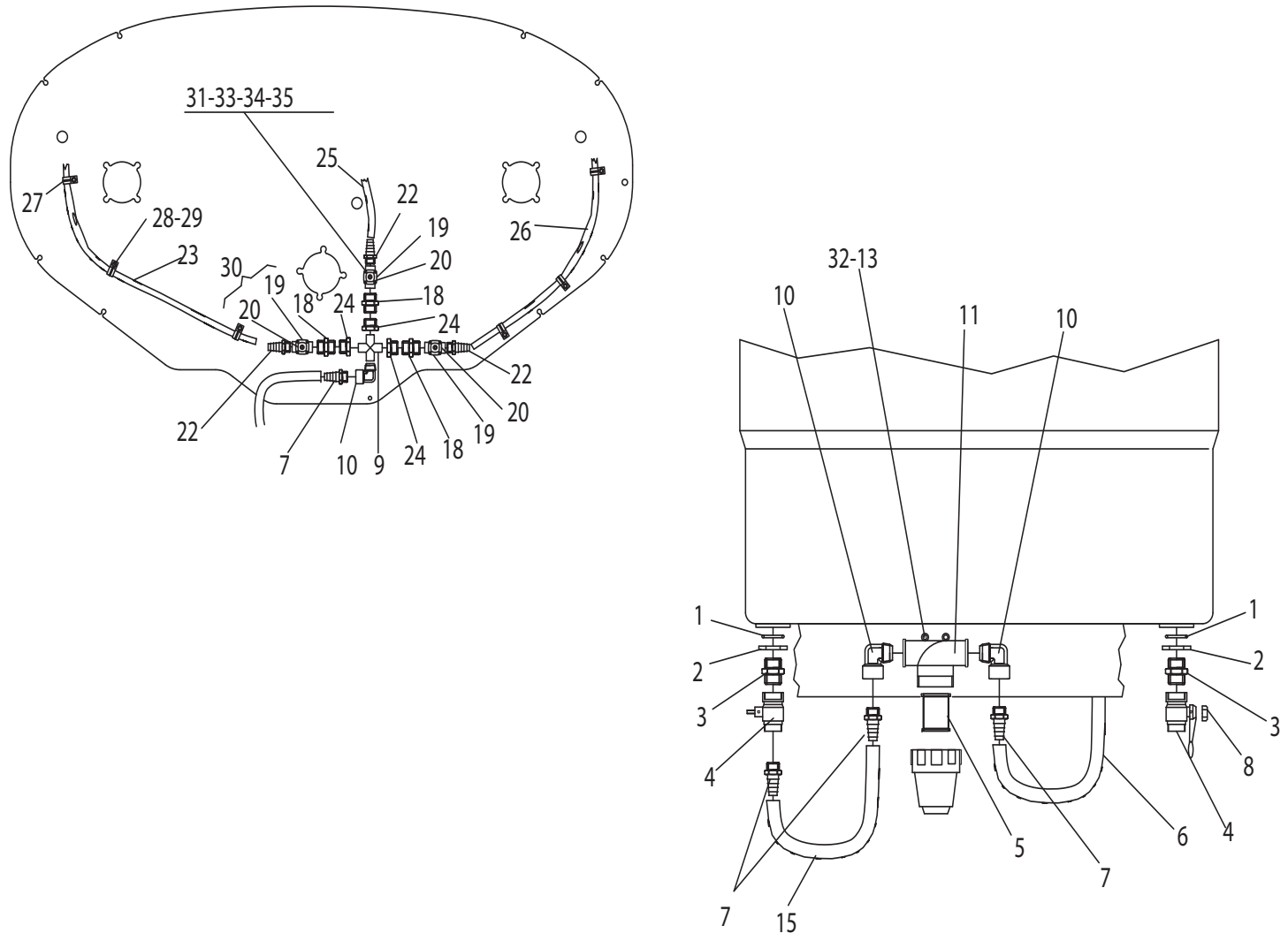
Pos.	Code	Substituted by	Q.ty	Purchasable	Min. Q.ty	For mainten.	Description
051	3.405.0054		5	Yes	12		CONNECTOR
052	3.405.0022		2	Yes	12		FASTON M. 6.3 SEZ.0,75-2
053	3.499.0384		1	Yes	12	EXT	CAPACITOR 25 VRSM
054	7.503.0484		1	Yes	1		THERMAL CIRCUIT BREAKER STICKER
055	3.401.0119		3	Yes	2	EXT	THERMAL CIRCUIT BREAKER 25A

Exploded drawing E8572A002/01



Pos.	Code	Substituted by	Q.ty	Purchasable	Min. Q.ty	For mainten.	Description
001	3.002.0124		2	Yes	12		SCREW M4X20
002	4.506.0063		2	Yes	2		WASHER 3/4 FOR O-RING 4112
003	3.100.0090		2	Yes	1		NIPPLE 3/4 -3/4
004	3.105.0009		2	Yes	1		BALL VALVE 3/4" F/F
005	3.102.0010		1	Yes	1		SPARE PART FOR WATER FILTER F/F 3/4 MESH 80 INOX
006	3.099.0773		1	Yes	3		ARMONVILLE HOSE
007	3.100.0121	4.506.0275	4	Yes	1		HOSE FITTING UNION 3/4 D.20
008	3.003.0409		1	Yes	12		NUT M9 FOR BALL VALVE 1/2 - 3/4
009	3.100.0133		1	Yes	1		COUPLING 3/4
010	3.100.0120		3	Yes	2		UNION ELBOW 90 DEGREES M/F 3/4
011	3.102.0009		1	Yes	1	ORD	WATER FILTER F/F 3/4 MESH 80INOX
012	3.002.0560		2	Yes	6		SCREW M6X80 INOX UNI 5931
013	3.004.0060		2	Yes	12		PLAIN WASHER D.6X18X1.6 INOX UNI6593
014	4.506.0049		2	Yes	6		BUSHING
015	3.099.0774		1	Yes	6		ARMONVILLE HOSE
016	3.002.0601		4	Yes	6		SCREW TE M8X65 UNI 5737 INOX
017	3.004.0106		4	Yes	12		PLAIN WASHER D.8X16X1.6 INOX UNI6592
018	3.100.0141		3	No			NIPLES 1/2 M/M
019	3.412.0009	5.511.1170	3	Yes	1	EXT	SOLENOID VALVE 1/2
020	3.403.0064	3.403.0087	3	Yes	1		SOLENOID VALVE COIL 36V 7ADN
021	3.002.0217		6	Yes	12		SCREW M6X45 UNI 5931 INOX
022	3.100.0124	3.100.0110	3	Yes	2		HOSE FITTING UNION 1/2 D.=16
023	3.099.0770		1	Yes	1		ARMONVILLE HOSE INT.D=14 L=700mm
024	3.100.0123		5	Yes	2		UNION 3/4 -1/2 M/F
025	3.099.0771		1	Yes	12		ARMONVILLE HOSE INT.D.=14 L=105mm
026	3.099.0772	3.099.1348	1	Yes	2		ARMONVILLE HOSE INT.D.=14 L=600mm
027	3.099.0329		7	Yes	2		HOSE CLAMP D.20 ZNT
028	3.002.0204		7	Yes	12		SCREW M6X12 INOX DIN 912
029	3.004.0084		7	Yes	12		PLAIN WASHER D.6X14X1 INOX UNI6592

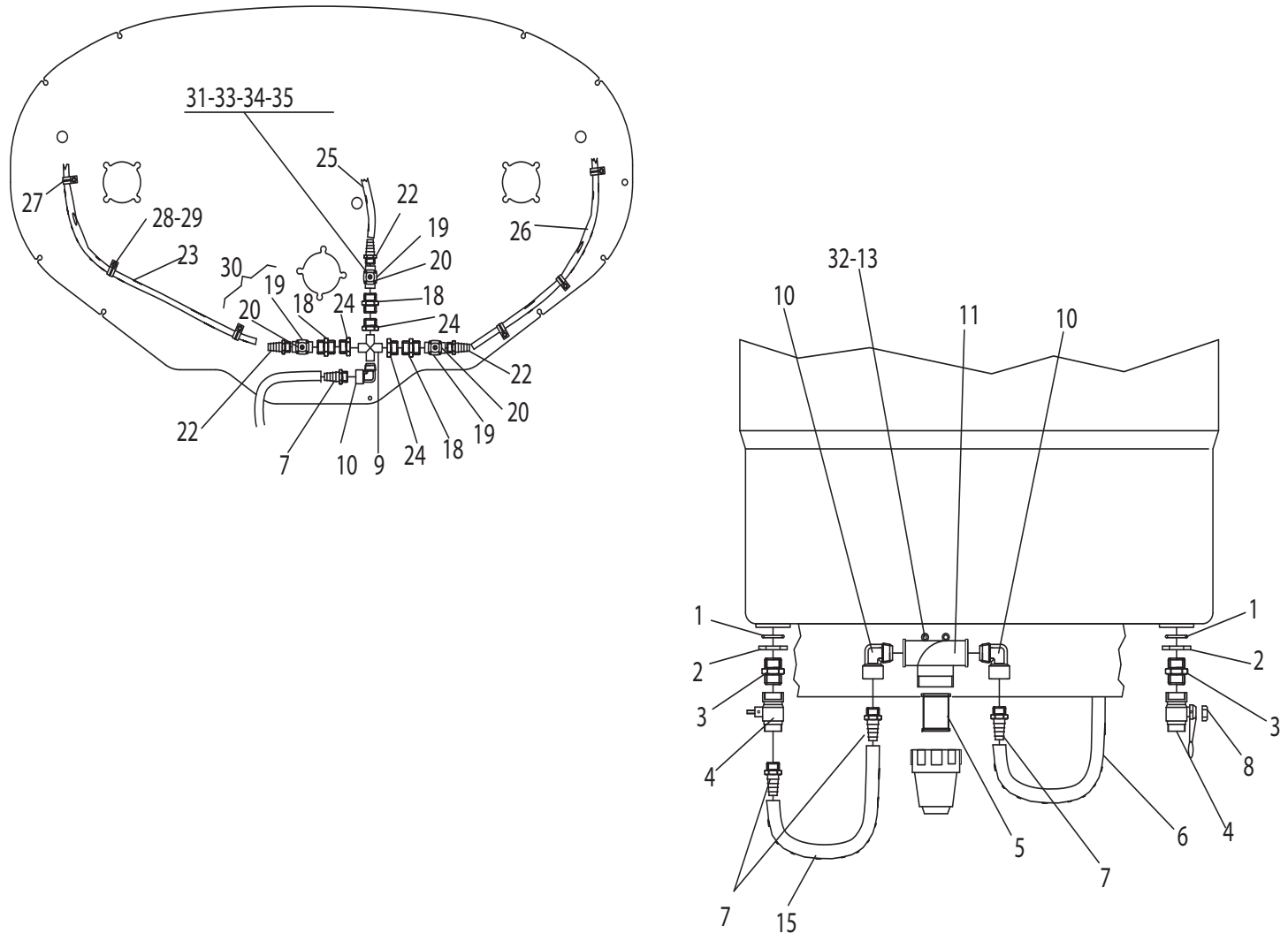
Exploded drawing E8572A002/01





Pos.	Code	Substituted by	Q.ty	Purchasable	Min. Q.ty	For mainten.	Description
003	3.100.0090		2	Yes	1		NIPPLE 3/4 -3/4
004	3.105.0009		2	Yes	1		BALL VALVE 3/4" F/F
005	3.102.0010		1	Yes	1		SPARE PART FOR WATER FILTER F/F 3/4 MESH 80 INOX
006	3.099.0773		1	Yes	3		ARMONVILLE HOSE
007	3.100.0121	4.506.0275	4	Yes	1		HOSE FITTING UNION 3/4 D.20
009	3.100.0133		1	Yes	1		COUPLING 3/4
010	3.100.0120		3	Yes	2		UNION ELBOW 90 DEGREES M/F 3/4
011	3.102.0009		1	Yes	1	ORD	WATER FILTER F/F 3/4 MESH 80INOX
015	3.099.0774		1	Yes	6		ARMONVILLE HOSE
018	3.100.0141		3	No			NIPLES 1/2 M/M
019	3.412.0009	5.511.1170	3	Yes	1	EXT	SOLENOID VALVE 1/2
020	3.403.0087		3	Yes	1		SOLENOID VALVE COIL 36V - BO36-
022	3.100.0114		3	Yes	6		HOSE FITTING UNION PG6 1/4
023	3.099.0770		1	Yes	1		ARMONVILLE HOSE INT.D.=14 L=700mm
024	3.100.0123		5	Yes	2		UNION 3/4 -1/2 M/F
025	3.099.0771		1	Yes	12		ARMONVILLE HOSE INT.D.=14 L=105mm
026	3.099.0772	3.099.1348	1	Yes	2		ARMONVILLE HOSE INT.D.=14 L=600mm
027	3.099.0329		7	Yes	2		HOSE CLAMP D.20 ZNT
030	3.412.0011	5.511.1394	3	Yes	1	EXT	SOLENOID VALVE 1/2 36V
031	4.507.0594		2	Yes	1		PLATE FOR SOLENOID VALVE

Exploded drawing E8572A002/01



Pos.	Code	Substituted by	Q.ty	Purchasable	Min. Q.ty	For mainten.	Description
003	3.100.0090		2	Yes	1		NIPPLE 3/4 -3/4
004	3.105.0009		2	Yes	1		BALL VALVE 3/4" F/F
005	3.102.0010		1	Yes	1		SPARE PART FOR WATER FILTER F/F 3/4 MESH 80 INOX
006	3.099.0773		1	Yes	3		ARMONVILLE HOSE
007	3.100.0121	4.506.0275	4	Yes	1		HOSE FITTING UNION 3/4 D.20
009	3.100.0133		1	Yes	1		COUPLING 3/4
010	3.100.0120		3	Yes	2		UNION ELBOW 90 DEGREES M/F 3/4
011	3.102.0009		1	Yes	1	ORD	WATER FILTER F/F 3/4 MESH 80INOX
015	3.099.0774		1	Yes	6		ARMONVILLE HOSE
018	3.100.0146		3	Yes	5		NIPLES 1/2 M/M
019	3.412.0009	5.511.1170	3	Yes	1	EXT	SOLENOID VALVE 1/2
020	3.403.0087		3	Yes	1		SOLENOID VALVE COIL 36V - BO36-
022	3.100.0110		3	Yes	2		HOSE FITTING UNION 1/2
023	3.099.0770		1	Yes	1		ARMONVILLE HOSE INT.D.=14 L=700mm
024	3.100.0123		5	Yes	2		UNION 3/4 -1/2 M/F
025	3.099.0771		1	Yes	12		ARMONVILLE HOSE INT.D.=14 L=105mm
026	3.099.0772	3.099.1348	1	Yes	2		ARMONVILLE HOSE INT.D.=14 L=600mm
027	3.099.0329		7	Yes	2		HOSE CLAMP D.20 ZNT
030	3.412.0011	5.511.1394	3	Yes	1	EXT	SOLENOID VALVE 1/2 36V
031	4.507.0594		2	Yes	1		PLATE FOR SOLENOID VALVE

## Despiece Técnico - BARREDORA KF120B

Pos.	Code	Substituted by	Q.ty	Purchasable	Min. Q.ty	For mainten.	Description
001	4.508.0441		1	Yes	1		TANK CAP - KRON L
002	4.508.0438		1	Yes	1		TANK CAP GASKET
003	5.511.0388	5.511.0766	1	Yes	1	EXT	RECOVERY TANK CAP ASSEMBLY - KRON L
004	4.508.0453		1	Yes	1		SUCTION CONE - KRON L
005	4.508.0716		1	Yes	1	ORD	FILTER - KRON M
006	3.099.0477		10	Yes	2		KNOB M6 (THREADED PASS-THROUGH HOLE)
007	4.506.0073		3	Yes	6		THREADED SHIM
009	3.499.0035		1	Yes	1	EXT	BLINKER 24/36V D.86 H.100
012	4.508.0371		1	Yes	1		BLINKER SUPPORT - YELLOW
013	4.508.0436	5.511.1609	1	Yes	1		RECOVERY TANK KRON L - YELLOW
014	3.099.0700		1	Yes	1		SEAT WITH BELT AND ARM RESTS
015	3.755.0017	5.511.1392	1	Yes	1	EXT	THREE STAGE SUCTION MOTOR 36V600W
017	4.508.0447		1	Yes	1		FRONT COVER - KRON L
018	4.508.0434		1	Yes	1		STEERING COLUMN COVER KRON L -YELLOW
021	4.508.0445		1	Yes	1	EXT	SUCTION HOSE - KRON L
022	4.508.0313		1	Yes	1		SOLUTION TANK KRON L - DARK GREY
023	3.002.0360		6	Yes	5		GRUB-SCREW M10X50 UNI 5923
026	3.200.0150		6	Yes	12		GASKET
027	4.506.0156		6	Yes	3		RING
028	4.507.0453		1	Yes	1		BASEPLATE FOR BATTERY BOX - KRON L
029	4.508.0440		2	Yes	2		WASHER
030	4.508.0439		2	Yes	1		PIN
032	4.505.0075		1	Yes	1		FOOTBOARD KRON L
035	5.511.0395		1	Yes	1		SOLUTION TANK CAP ASSEMBLY
036	4.508.0093		1	Yes	6		GASKET 140X110 8MM
037	4.505.0074		1	Yes	1		HAND BRAKE PANEL
038	4.508.0122		7	Yes	12		BUSHING
039	4.508.0522	5.511.1127	1	Yes	1		STEERING COLUMN COVER KRON L
041	3.403.0055		1	Yes	1		FOOT ACCELERATOR CONTROL
043	5.513.0095		1	Yes	1		MOVABLE CONNECTION - KRON L
044	3.099.0693		2	Yes	1		GAS SPRING L=785 T=345 D=22 F=200N

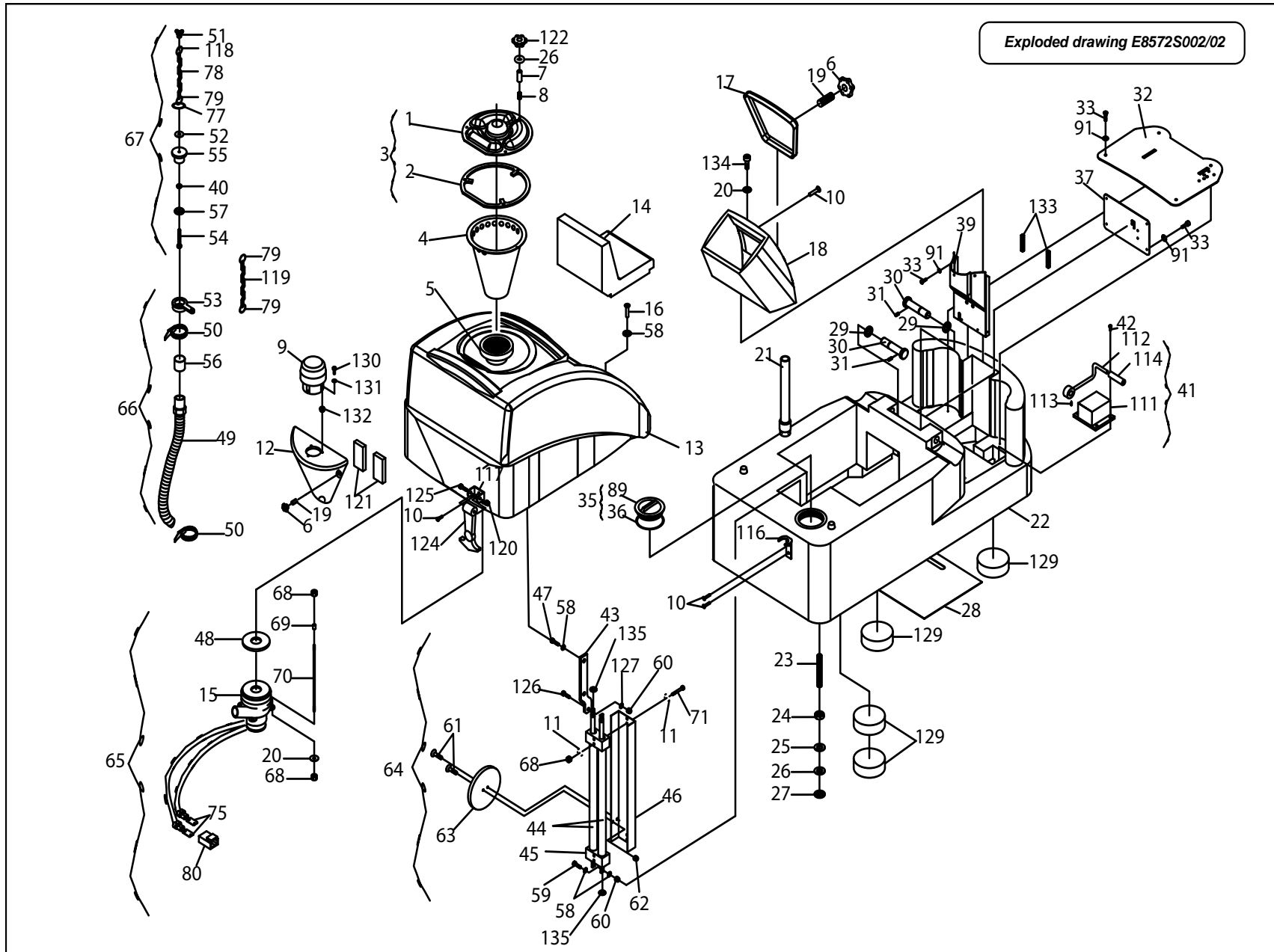
Pos.	Code	Substituted by	Q.ty	Purchasable	Min. Q.ty	For mainten.	Description
045	4.505.0080		2	Yes	1		GAS SPRING SUPPORT
046	4.507.0482		1	Yes	1		SUPPORT FOR GAS SPRING
048	4.508.0163		1	Yes	2		GASKET FOR SUCTION MOTOR
049	3.099.0652		1	Yes	1		HOSE SUPERFLEX KLL M D.50+1 SLEEVE D.50 L=1570
050	3.099.0588		2	Yes	2		CLAMP 50-65 H=12
051	3.099.0467		1	Yes	2		KNOB M8
053	4.508.0283		1	Yes	1		HOSE COUPLING
055	4.508.0281		1	Yes	2		CAP
056	4.507.0321		1	Yes	3		BAR FOR CAP CLOSING
057	4.508.0296		1	Yes	3		SUPPORT FOR CAP
063	4.508.0521		1	Yes	1		ANTI ROTATION PLATE KRON L
064	5.511.0389		1	Yes	1		TANK LIFTING ASSEMBLY
065	5.511.0202	5.511.1392	1	Yes	1	EXT	SUCTION MOTOR ASSEMBLY
066	5.511.0195		1	Yes	1	EXT	DRAIN HOSE ASSEMBLY KRON
067	5.511.0209		1	Yes	1	EXT	DRAIN HOSE CAP ASSEMBLY
069	4.506.0082		3	Yes	6		BRASS BAR D=10 L=90
070	4.507.0309		3	Yes	4		STUD SCREW M6x145
075	3.405.0062	3.405.0092	2	Yes	5		CONNECTOR M. 6/8MM
080	3.499.0121		1	Yes	2		CONNECTOR
089	4.508.0534		1	No			SOLUTION TANK CAP

Pos.	Code	Substituted by	Q.ty	Purchasable	Min. Q.ty	For mainten.	Description
001	4.508.0441		1	Yes	1		TANK CAP - KRON L
002	4.508.0438		1	Yes	1		TANK CAP GASKET
003	5.511.0388	5.511.0766	1	Yes	1	EXT	RECOVERY TANK CAP ASSEMBLY - KRON L
004	4.508.0453		1	Yes	1		SUCTION CONE - KRON L
005	4.508.0716		1	Yes	1	ORD	FILTER - KRON M
006	3.099.0477		10	Yes	2		KNOB M6 (THREADED PASS-THROUGH HOLE)
007	4.506.0073		3	Yes	6		THREADED SHIM
009	3.499.0035		1	Yes	1	EXT	BLINKER 24/36V D.86 H.100
012	4.508.0371		1	Yes	1		BLINKER SUPPORT - YELLOW
013	4.508.0436	5.511.1609	1	Yes	1		RECOVERY TANK KRON L - YELLOW
014	3.099.0700		1	Yes	1		SEAT WITH BELT AND ARM RESTS
015	3.755.0062	5.511.1392	1	Yes	1	EXT	THREE STAGE SUCTION MOTOR 36V
017	4.508.0447		1	Yes	1		FRONT COVER - KRON L
018	4.508.0434		1	Yes	1		STEERING COLUMN COVER KRON L -YELLOW
021	4.508.0445		1	Yes	1	EXT	SUCTION HOSE - KRON L
022	4.508.0313		1	Yes	1		SOLUTION TANK KRON L - DARK GREY
023	3.002.0360		6	Yes	5		GRUB-SCREW M10X50 UNI 5923
026	3.200.0150		6	Yes	12		GASKET
027	4.506.0156		6	Yes	3		RING
028	4.507.0453		1	Yes	1		BASEPLATE FOR BATTERY BOX - KRON L
029	4.508.0440		2	Yes	2		WASHER
030	4.508.0439		2	Yes	1		PIN
032	4.505.0075		1	Yes	1		FOOTBOARD KRON L
035	5.511.0395		1	Yes	1		SOLUTION TANK CAP ASSEMBLY
036	4.508.0093		1	Yes	6		GASKET 140X110 8MM
037	4.505.0074		1	Yes	1		HAND BRAKE PANEL
039	5.511.1127		1	Yes	1		STEERING COLUMN COVER ASSEMBLY
041	3.403.0055		1	Yes	1		FOOT ACCELERATOR CONTROL
043	5.513.0095		1	Yes	1		MOVABLE CONNECTION - KRON L
044	3.099.0693		2	Yes	1		GAS SPRING L=785 T=345 D=22 F=200N
045	4.505.0080		2	Yes	1		GAS SPRING SUPPORT

Pos.	Code	Substituted by	Q.ty	Purchasable	Min. Q.ty	For mainten.	Description
046	4.507.0482		1	Yes	1		SUPPORT FOR GAS SPRING
048	4.508.0163		1	Yes	2		GASKET FOR SUCTION MOTOR
049	3.099.1018		1	Yes	1		HOSE SUPERFLEX KLL M D.50+1 SLEEVE D.50 L=940
050	3.099.0588		2	Yes	2		CLAMP 50-65 H=12
051	3.099.0467		1	Yes	2		KNOB M8
053	4.508.0283		1	Yes	1		HOSE COUPLING
055	4.508.0281		1	Yes	2		CAP
056	4.507.0321		1	Yes	3		BAR FOR CAP CLOSING
057	4.508.0296		1	Yes	3		SUPPORT FOR CAP
063	4.508.0521		1	Yes	1		ANTI ROTATION PLATE KRON L
064	5.511.0389		1	Yes	1		TANK LIFTING ASSEMBLY
065	5.511.0905		1	Yes	1	EXT	SUCTION MOTOR ASSEMBLY - KRONM
066	5.511.0705		1	Yes	1	EXT	DRAIN HOSE ASSEMBLY - KRON L
067	5.511.0421		1	Yes	1	EXT	DRAIN HOSE CAP ASSEMBLY
069	4.506.0197		3	Yes	2		BRASS BAR D=10 L=80
070	4.507.0309		3	Yes	4		STUD SCREW M6x145
075	3.405.0062	3.405.0092	2	Yes	5		CONNECTOR M. 6/8MM
077	3.200.0145		1	Yes	2		O-RING 6200 5.34x50.16
078	3.099.0637		1	Yes	1		CHAIN 23.5X12.2 D.2.7 (1mt.)
079	3.099.0726		1	Yes	12		RING D 17
080	3.499.0121		1	Yes	2		CONNECTOR
089	4.508.0534		1	No			SOLUTION TANK CAP
091	4.508.0420		11	Yes	6		PROTECTING WASHER
111	3.403.0138		1	Yes	1	EXT	ACCELERATOR FOOT CONTROL WITHOUT PEDAL
112	5.513.0148		1	Yes	1		ACCELERATOR CONTROL LEVER
114	4.508.0822		1	Yes	3		LEVER HANDLE
116	3.099.1025		1	Yes	2		HOOK FOR TIE-ROD BZ/32
117	3.099.1026		1	Yes	2		HOOK FOR TIE-ROD C/25
118	3.099.1082		1	Yes	12		RING D.25
119	3.099.1083		1	Yes	0		NICHEL PLATE CHAIN
121	3.099.0692		6	Yes	6		ELECTRICAL CONNECTION 27X27

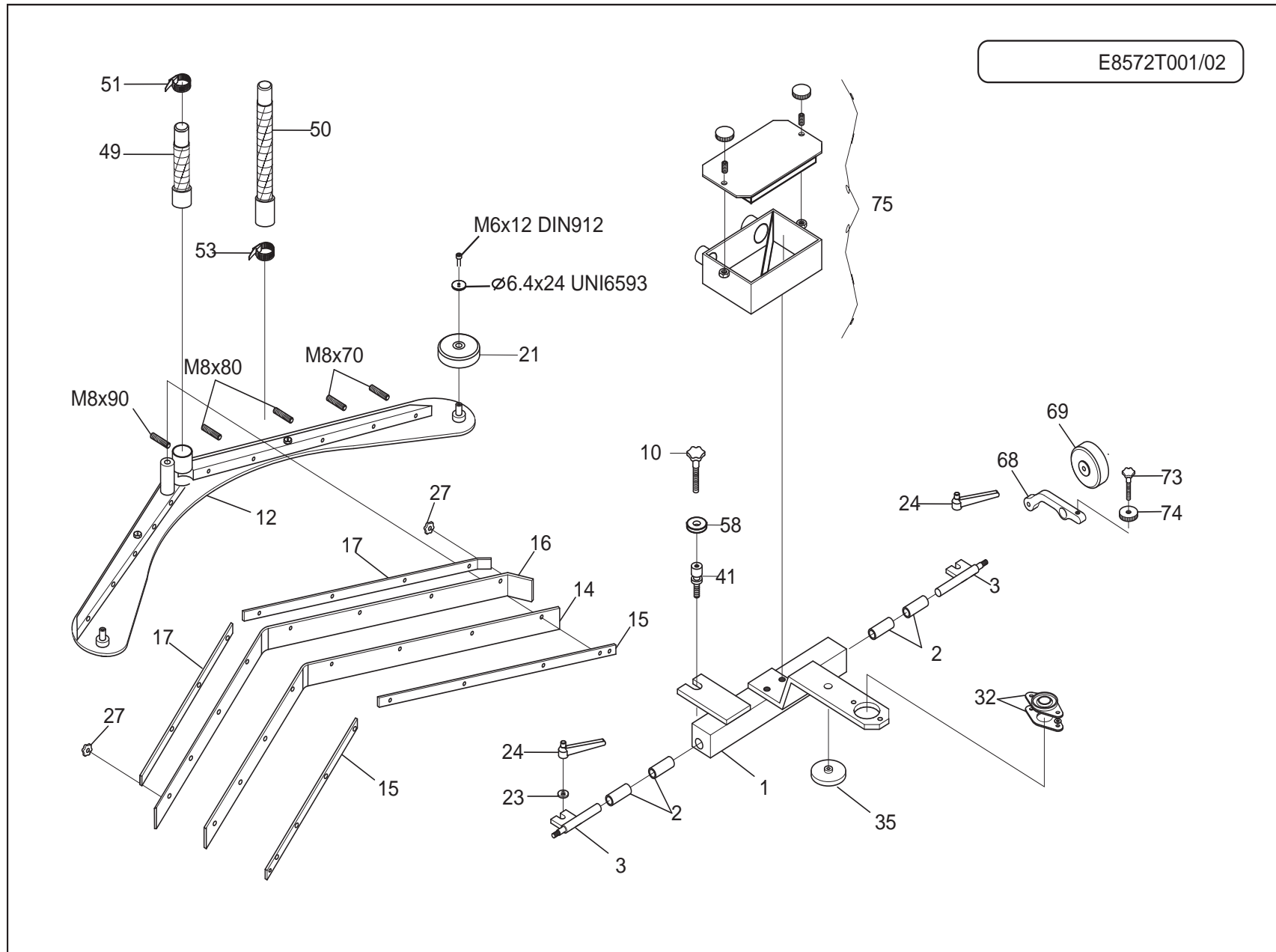
Pos.	Code	Substituted by	Q.ty	Purchasable	Min. Q.ty	For mainten.	Description
122	4.508.0695		3	Yes	1		KNOB
124	3.099.1027		1	Yes	3		TIE-ROD TG/153
127	4.507.0164		1	Yes	2		SHIM FOR BRAKE RETAINER PLATE
129	4.508.0432		16	Yes	6		SPACER FOR TANK
133	4.508.0946		1	Yes	12		GASKET





Pos.	Code	Substituted by	Q.ty	Purchasable	Min. Q.ty	For mainten.	Description
003	5.511.0388	5.511.0766	1	Yes	1	EXT	RECOVERY TANK CAP ASSEMBLY - KRON L
004	4.508.0453		1	Yes	1		SUCTION CONE - KRON L
005	4.508.0716		1	Yes	1	ORD	FILTER - KRON M
006	3.099.0477		10	Yes	2		KNOB M6 (THREADED PASS-THROUGH HOLE)
007	4.506.0073		3	Yes	6		THREADED SHIM
009	3.499.0035		1	Yes	1	EXT	BLINKER 24/36V D.86 H.100
012	4.508.0371		1	Yes	1		BLINKER SUPPORT - YELLOW
013	4.508.0436	5.511.1609	1	Yes	1		RECOVERY TANK KRON L - YELLOW
014	3.099.0700		1	Yes	1		SEAT WITH BELT AND ARM RESTS
017	4.508.0447		1	Yes	1		FRONT COVER - KRON L
018	4.508.0434		1	Yes	1		STEERING COLUMN COVER KRON L - YELLOW
021	4.508.0445		1	Yes	1	EXT	SUCTION HOSE - KRON L
022	4.508.0313		1	Yes	1		SOLUTION TANK KRON L - DARK GREY
023	3.002.0360		6	Yes	5		GRUB-SCREW M10X50 UNI 5923
026	3.200.0150		6	Yes	12		GASKET
027	4.506.0156		6	Yes	3		RING
028	4.507.0453		1	Yes	1		BASEPLATE FOR BATTERY BOX - KRON L
029	4.508.0440		2	Yes	2		WASHER
030	4.508.0439		2	Yes	1		PIN
032	4.505.0075		1	Yes	1		FOOTBOARD KRON L
035	5.511.0395		1	Yes	1		SOLUTION TANK CAP ASSEMBLY
037	4.505.0074		1	Yes	1		HAND BRAKE PANEL
039	5.511.1127		1	Yes	1		STEERING COLUMN COVER ASSEMBLY
041	3.403.0055		1	Yes	1		FOOT ACCELERATOR CONTROL
043	5.513.0095		1	Yes	1		MOVABLE CONNECTION - KRON L
044	3.099.0693		2	Yes	1		GAS SPRING L=785 T=345 D=22 F=200N
045	4.505.0080		2	Yes	1		GAS SPRING SUPPORT
046	4.507.0482		1	Yes	1		SUPPORT FOR GAS SPRING
063	4.508.0521		1	Yes	1		ANTI ROTATION PLATE KRON L
064	5.511.0389		1	Yes	1		TANK LIFTING ASSEMBLY
065	5.511.1302	5.511.1392	1	Yes	1	EXT	SUCTION MOTOR KIT

Pos.	Code	Substituted by	Q.ty	Purchasable	Min. Q.ty	For mainten.	Description
066	5.511.0705		1	Yes	1	EXT	DRAIN HOSE ASSEMBLY - KRON L
067	5.511.0421		1	Yes	1	EXT	DRAIN HOSE CAP ASSEMBLY
075	3.405.0062	3.405.0092	2	Yes	5		CONNECTOR M. 6/8MM
080	3.499.0121		1	Yes	2		CONNECTOR
091	4.508.0420		11	Yes	6		PROTECTING WASHER
111	3.403.0138		1	Yes	1	EXT	ACCELERATOR FOOT CONTROL WITHOUT PEDAL
112	5.513.0148		1	Yes	1		ACCELERATOR CONTROL LEVER
114	4.508.0822		1	Yes	3		LEVER HANDLE
116	3.099.1025		1	Yes	2		HOOK FOR TIE-ROD BZ/32
117	3.099.1026		1	Yes	2		HOOK FOR TIE-ROD C/25
119	3.099.1083		1	Yes	0		NICHEL PLATE CHAIN
121	3.099.0692		6	Yes	6		ELECTRICAL CONNECTION 27X27
122	4.508.0695		3	Yes	1		KNOB
124	3.099.1027		1	Yes	3		TIE-ROD TG/153
127	4.507.0164		1	Yes	2		SHIM FOR BRAKE RETAINER PLATE
129	4.508.0432		16	Yes	6		SPACER FOR TANK
133	4.508.0946		1	Yes	12		GASKET
135	4.508.0673		2	Yes	12		ELASTIC SHIM



Pos.	Code	Substituted by	Q.ty	Purchasable	Min. Q.ty	For mainten.	Description
001	5.513.0036		1	Yes	1		SQUEEGEE SUPPORT
002	4.508.0237		4	Yes	3		NYLON BUSHING FOR SQUEEGEE
003	4.507.0178		2	Yes	1		PIN
010	3.099.0466		2	Yes	2		KNOB M10 X30
012	5.513.0092		1	Yes	1		SQUEEGEE - KRON L2
014	4.508.0219		1	Yes	1		FRONT SQUEEGEE BLADE - L2
015	4.507.0447		2	Yes	1		FRONT BRACKET FOR SQUEEGEE LOCKING
016	4.508.0218		1	Yes	1		REAR SQUEEGEE BLADE - L2
017	4.507.0448		2	Yes	1		REAR BRACKET FOR SQUEEGEE LOCKING
021	4.508.0224		2	Yes	2	EXT	BUMPER WHEEL D.110 GREY
024	3.099.0721		2	Yes	2		LEVER
027	3.099.0467		12	Yes	2		KNOB M8
032	3.001.0035		1	Yes	1		BEARING HOUSING + BEARING BPFL4
035	4.508.0235		1	Yes	1		SLIDING BLOCK
049	3.099.0653		1	Yes	1		HOSE SUPERFLEX KLL M D.50+1 SLLEEVE D.50 L=330
055	4.507.0435		2	Yes	2		GRUB-SCREW M8X80
056	4.507.0434		4	Yes	2		GRUB-SCREW M8X70
058	4.506.0036		1	Yes	1		RING NUT FOR WHEEL ADJUSTMENT
068	4.507.0176		2	Yes	1		WHEEL COUPLING
069	3.006.0054		2	Yes	1	EXT	WHEEL 80X25 C/BEARINGS
073	3.099.0530		2	Yes	2		KNOB M8X50 D=30 L=50
074	4.506.0067		2	Yes	1		KNOB
075	5.511.0208		1	Yes	1		SUCTION BOX WITH FILTER ASSEMBLY
076	4.508.0238		1	Yes	2	EXT	GASKET FOR SUCTION BOX COVER
077	5.513.0037		1	Yes	1		SUCTION BOX
078	4.507.0189		1	Yes	1		SUCTION BOX COVER
079	3.002.0521		2	Yes	6		SCREW M10X25 UNI 5739 INOX
080	4.506.0057		2	Yes	4		KNOB
082	3.099.0468		1	Yes	1		WIRE NET 350x65

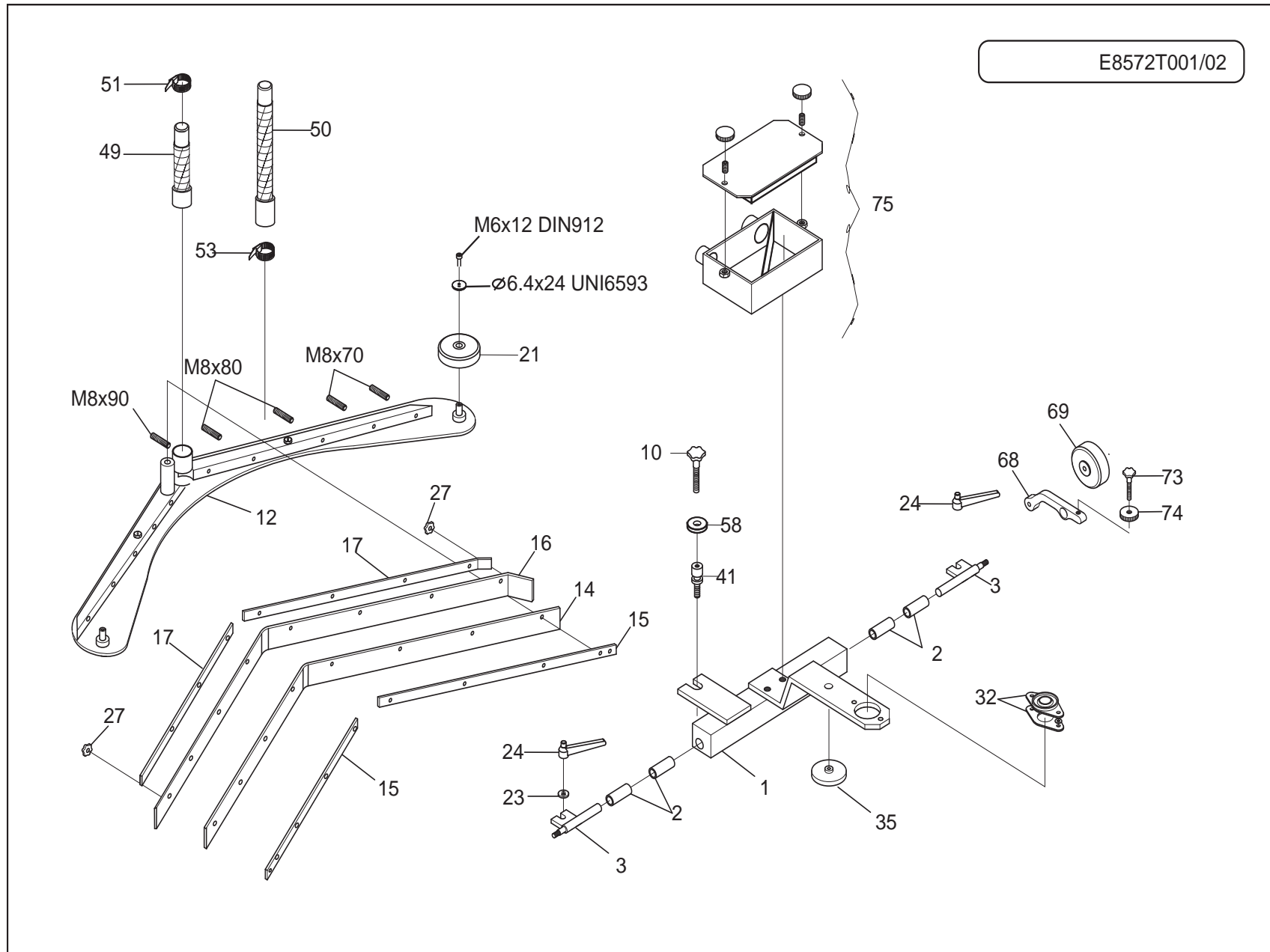


Pos.	Code	Substituted by	Q.ty	Purchasable	Min. Q.ty	For mainten.	Description
001	5.513.0086		1	Yes	1		FRAME - KRON L
002	5.511.0391		2	Yes	1		MOTORWHEEL ASSEMBLY KRON
005	4.507.0432		2	Yes	1		TAB WASHER - KRON L
006	3.003.0413		2	Yes	2		NUT M30X2 UNI5590
007	3.099.0512		2	Yes	6		FEATHER KEY 10X8X35 UNI 6604A
009	3.099.0694		1	Yes	1		BRAKING HOOK ASSEMBLY RIGHT
010	3.099.0695		1	Yes	1		BRAKING HOOK ASSEMBLY LEFT
011	4.507.0912		2	Yes	1		BRAKE LEVER - RIGHT
013	4.507.0440		2	Yes	2		BUSHING FOR SQUEEGEE SUPPORT -KRON L
015	5.513.0090		1	Yes	1		SQUEEGEE SUPPORT - KRON L
016	4.507.0184		2	Yes	3		SQUEEGEE STOP BOLT
019	4.507.0343		1	Yes	2		BUSHING FOR SQUEEGEE COUPLING- KRON M
020	4.507.0344		1	Yes	4		WASHER
022	4.507.0881		1	Yes	2		SPACER
024	4.507.0162		2	Yes	1		SCREW
027	3.006.0035		1	Yes	1	EXT	WHEEL DESMOPAN 80
028	3.099.1400		1	Yes	2		CHAIN 1/2 X 5/16 L=50mm
029	3.099.0488		2	Yes	3		CHAIN LINK FOR CHAIN 1/2"X5/16 DOUBLE
030	3.499.0054	6.505.0073	2	Yes	1		ACTUATOR 36V C80
031	5.513.0089		2	Yes	1		ACTUATOR SUPPORT - KRON L
033	4.507.0369		2	Yes	1		PIN FOR ACTUATOR
036	5.513.0084		1	Yes	1		ACTUATOR COUPLING - KRON L
037	4.507.0424		4	Yes	3		CAM - KRON L
038	3.002.0603		1	Yes	1		THREADED BAR
041	4.507.0427		1	Yes	3		BUSHING FOR ACTUATOR COUPLING- KRON L
042	4.506.0092		2	Yes	3		BUSHING
045	4.506.0052		2	Yes	2		BUSHING
046	5.513.0088		1	Yes	1		BAR - KRON L
047	4.507.0428		1	Yes	1		BAR - KRON L
050	4.507.0426		1	Yes	1		BAR - KRON L
054	4.507.0456		1	Yes	1		BRACKET FOR BRAKE LEVER STOP -KRON L

Pos.	Code	Substituted by	Q.ty	Purchasable	Min. Q.ty	For mainten.	Description
055	4.507.0327		1	Yes	1		BRAKE LEVER STOP
056	3.099.0371		2	Yes	6		LEVER KNOB M8
059	4.506.0034		2	Yes	6		PIN FOR SPRING COUPLING
061	4.508.0431		4	Yes	6		WASHER FOR MICROSWITCH
063	3.004.0085		6	Yes	12		CUP SPRING 12.5X6.2X0.7 DIN2093 TYPE A
065	4.507.0451		1	Yes	1		BRAKE LEVER - KRON L
066	4.507.0144		1	Yes	1	EXT	BRAKE RING NUT
067	4.507.0143		1	Yes	6		BUSHING
068	4.506.0084		1	Yes	1		BUSHING FOR BRAKE LEVER
071	4.507.0359		1	Yes	6		ADJUSTING SCREW
073	3.099.0520		1	Yes	1		TRANSMISSION COMPLETE WITH WIRE-SLEEVE AND FORK
074	4.506.0068		1	Yes	6		SPACER 6.5X15x5 1
075	4.507.0318		1	Yes	1		PLATE
078	3.099.0337		1	Yes	3		WATER GEAR CONTROL M6+CLIP
079	4.507.0317		1	Yes	1		SHAFT FOR KNOB
081	3.099.0364		4	Yes	6		SCREW REGULATOR M8X40 CH12 F.9.5 +NUT -MRT0840001-
082	5.513.0087		1	Yes	1		BRUSH LIFTING LEVER - KRON L
083	4.507.0145		1	Yes	2	EXT	BRAKE PEDAL
085	4.507.0455		1	Yes	1		BRAKE LEVER STOP - KRON L
086	4.506.0085		1	Yes	3		BUSHING FOR BRAKE LEVER
087	4.507.0642		1	Yes	2		TRACTION SPRING
088	5.511.0434		1	Yes	1		KIT BRAKE LEVERAGE
089	3.099.0363		2	Yes	1	EXT	BRAKE CABLE D.2.5X133 L.1800 +BALL 6.5mm -CVN0001800-
090	3.099.0365		2	Yes	1		SHEATH L.1150
091	4.507.0345		1	Yes	1		SPRING FOR WATER TAP LEVER
092	4.507.0057		1	Yes	2		WATER OUTLET CONTROL LEVER - INOX
095	3.201.0026		2	Yes	5		OIL SEAL AS 35X47X7 DIN3761
096	5.501.0030		2	Yes	1	EXT	MOTOR 600W-36V-2000rpm
097	4.507.0409		2	Yes	1		GEAR Z=19 m=1.5 ANGLE=10 KRONL
098	3.099.1015		2	Yes	12		FEATHER KEY 5X5X35 UNI 6604A
102	4.505.0067		2	Yes	1		MOTORWHEEL COVER PLUG



Pos.	Code	Substituted by	Q.ty	Purchasable	Min. Q.ty	For mainten.	Description
104	5.511.0435		2	Yes	1		MOTORWHEEL KRON L
105	3.006.0120		2	Yes	1	EXT	REAR WHEEL POLYURET. D.306 L.92 KRON L
107	4.507.0906		2	Yes	1		STEERING STOP BOLT
108	4.507.0913		1	Yes	1		BRAKE LEVER - LEFT
113	3.004.0146		4	Yes	5		SPRING WASHER 40X20.4X1
114	4.507.0978		1	Yes	4		TRACTION SPRING
115	4.507.1193		2	Yes	2		CHAIN PIN
117	3.099.0591		3	Yes	12		ELASTIC PIN 3X20 UNI 6873-71



Pos.	Code	Substituted by	Q.ty	Purchasable	Min. Q.ty	For mainten.	Description
001	5.513.0223		1	Yes	1		SQUEEGEE SUPPORT
002	4.506.0217		2	Yes	2		WHEEL SUPPORT BUSH
003	4.507.1232		2	Yes	1		WHEEL COUPLING SUPPORT
010	4.507.1071		1	Yes	2		REGISTRY SQUEEGEE (AVP)
012	5.513.0225		1	Yes	1		SQUEEGEE
014	4.508.0219		1	Yes	1		FRONT SQUEEGEE BLADE - L2
015	4.507.0447		2	Yes	1		FRONT BRACKET FOR SQUEEGEE LOCKING
016	4.508.0218		1	Yes	1		REAR SQUEEGEE BLADE - L2
017	4.507.0448		2	Yes	1		REAR BRACKET FOR SQUEEGEE LOCKING
021	4.508.1210		2	Yes	1	EXT	BUMPER WHEEL
024	3.099.1218		2	Yes	4		KNOB M8
027	3.099.0467		12	Yes	2		KNOB M8
032	3.001.0035		1	Yes	1		BEARING HOUSING + BEARING BPFL4
035	4.508.0235		1	Yes	1		SLIDING BLOCK
041	4.507.1014		1	Yes	2		PIN FOR SQUEEGEE ADJUSTER
049	3.099.0653		1	Yes	1		HOSE SUPERFLEX KLL M D.50+1 SLLLEEVE D.50 L=330
055	4.507.0435		2	Yes	2		GRUB-SCREW M8X80
056	4.507.0434		4	Yes	2		GRUB-SCREW M8X70
068	4.507.1044		2	Yes	1		WHEEL LEVER
069	3.006.0054		2	Yes	1	EXT	WHEEL 80X25 C/BEARINGS
073	3.099.0530		2	Yes	2		KNOB M8X50 D=30 L=50
074	4.506.0067		2	Yes	1		KNOB
075	5.511.0208		1	Yes	1		SUCTION BOX WITH FILTER ASSEMBLY
076	4.508.0238		1	Yes	2	EXT	GASKET FOR SUCTION BOX COVER
077	5.513.0037		1	Yes	1		SUCTION BOX
078	4.507.0189		1	Yes	1		SUCTION BOX COVER
079	3.002.0521		2	Yes	6		SCREW M10X25 UNI 5739 INOX
080	4.506.0057		2	Yes	4		KNOB
082	3.099.0468		1	Yes	1		WIRE NET 350x65



KRÜGER TECHNOLOGY S.L.  
B-82526583  
Polígono Agustinos C/G Parcela B2  
31013 Pamplona (Navarra) - ESPAÑA  
+34 948 343 393 - info@kruger.es - www.kruger.es