

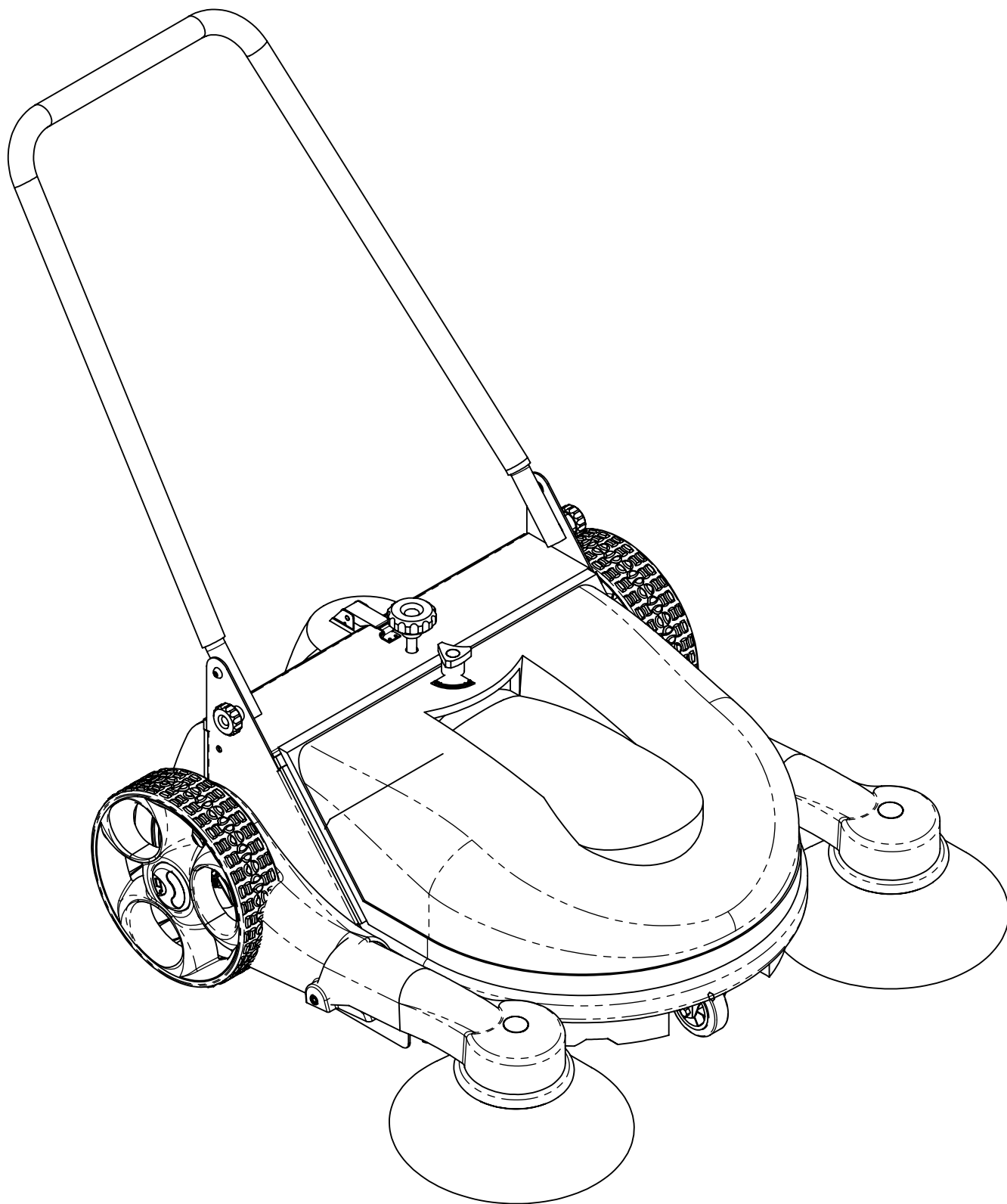


DESPIECE TÉCNICO

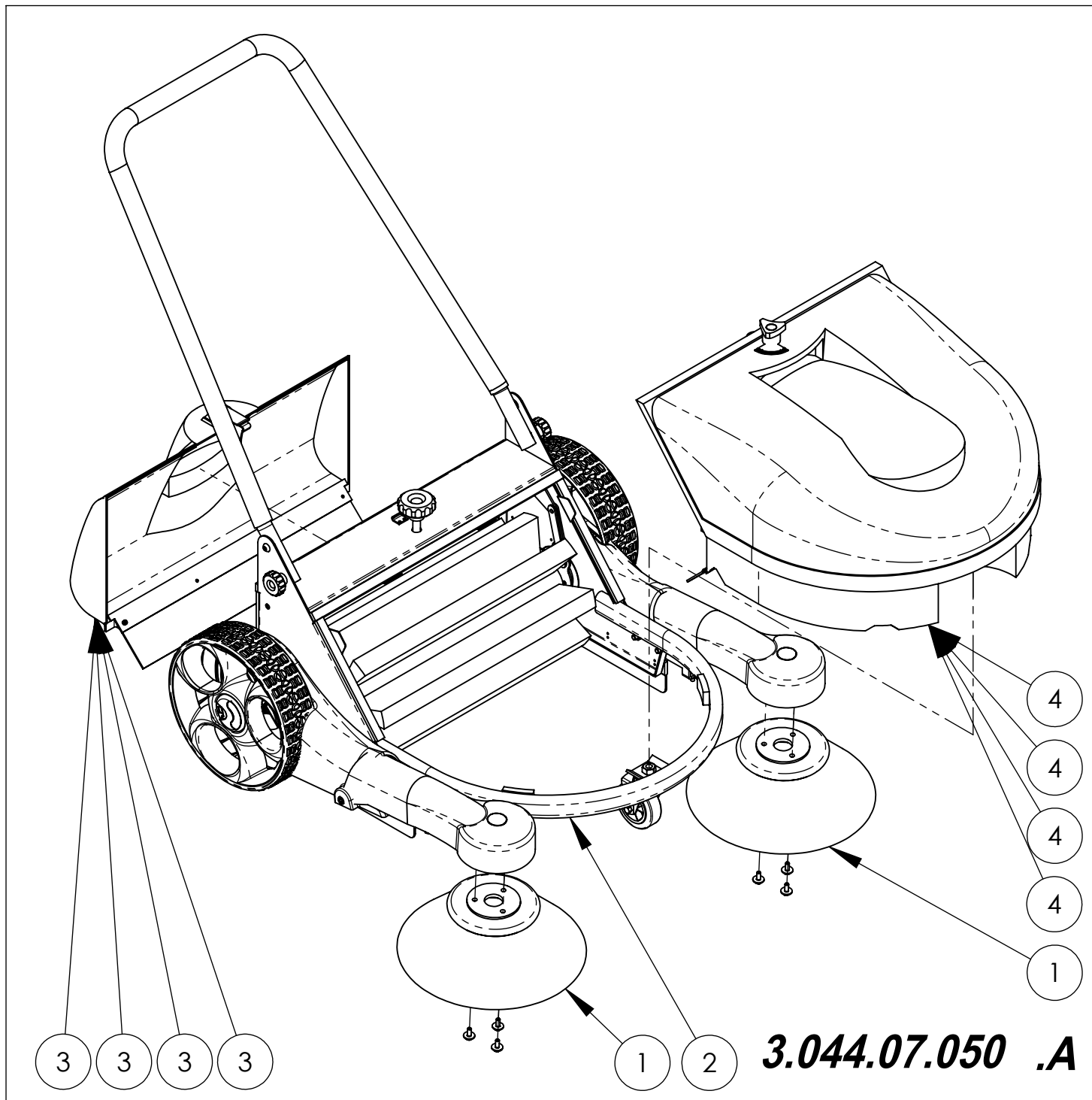
BARREDORA

KBM950

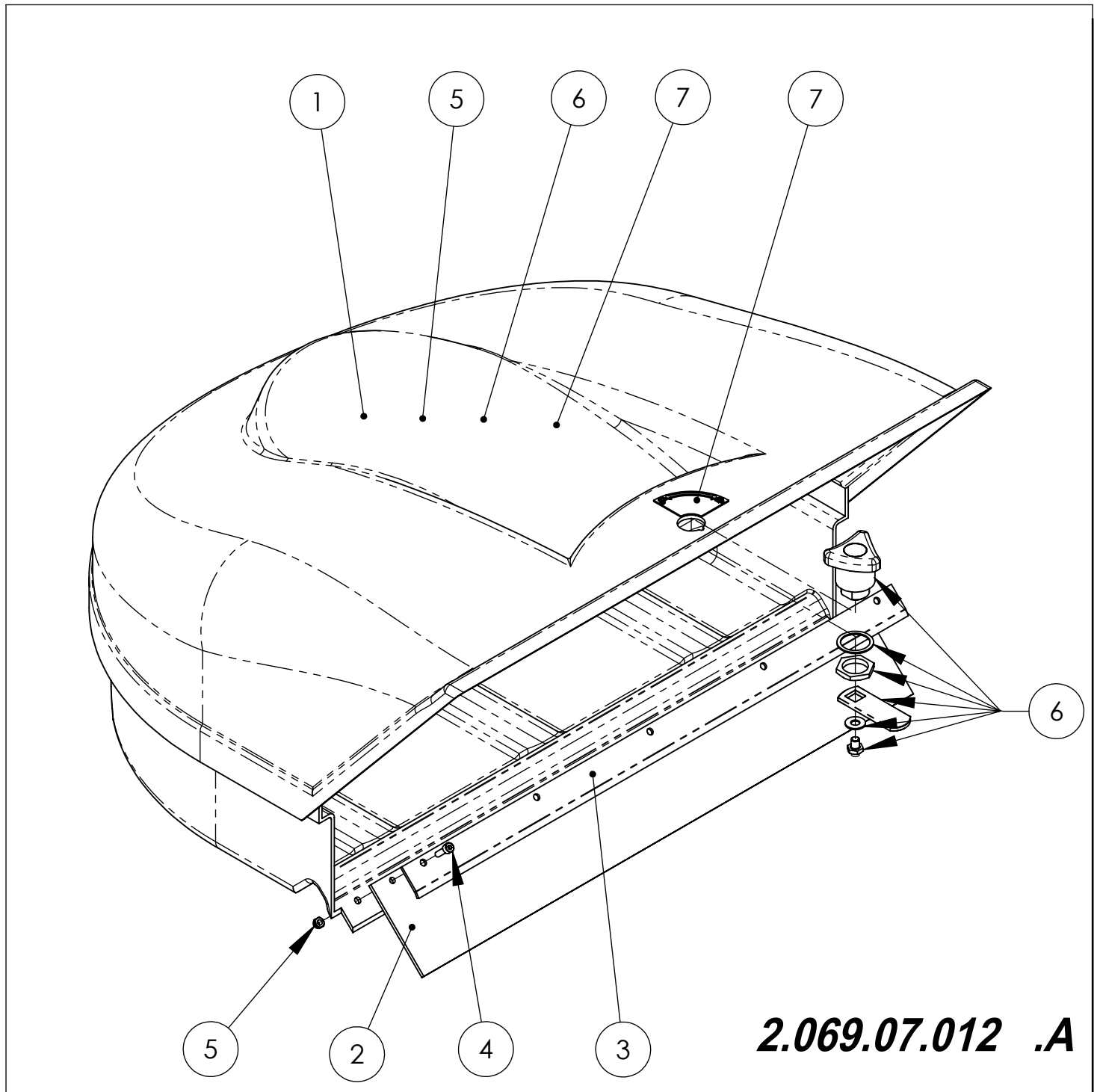




3.044.07.050 .A

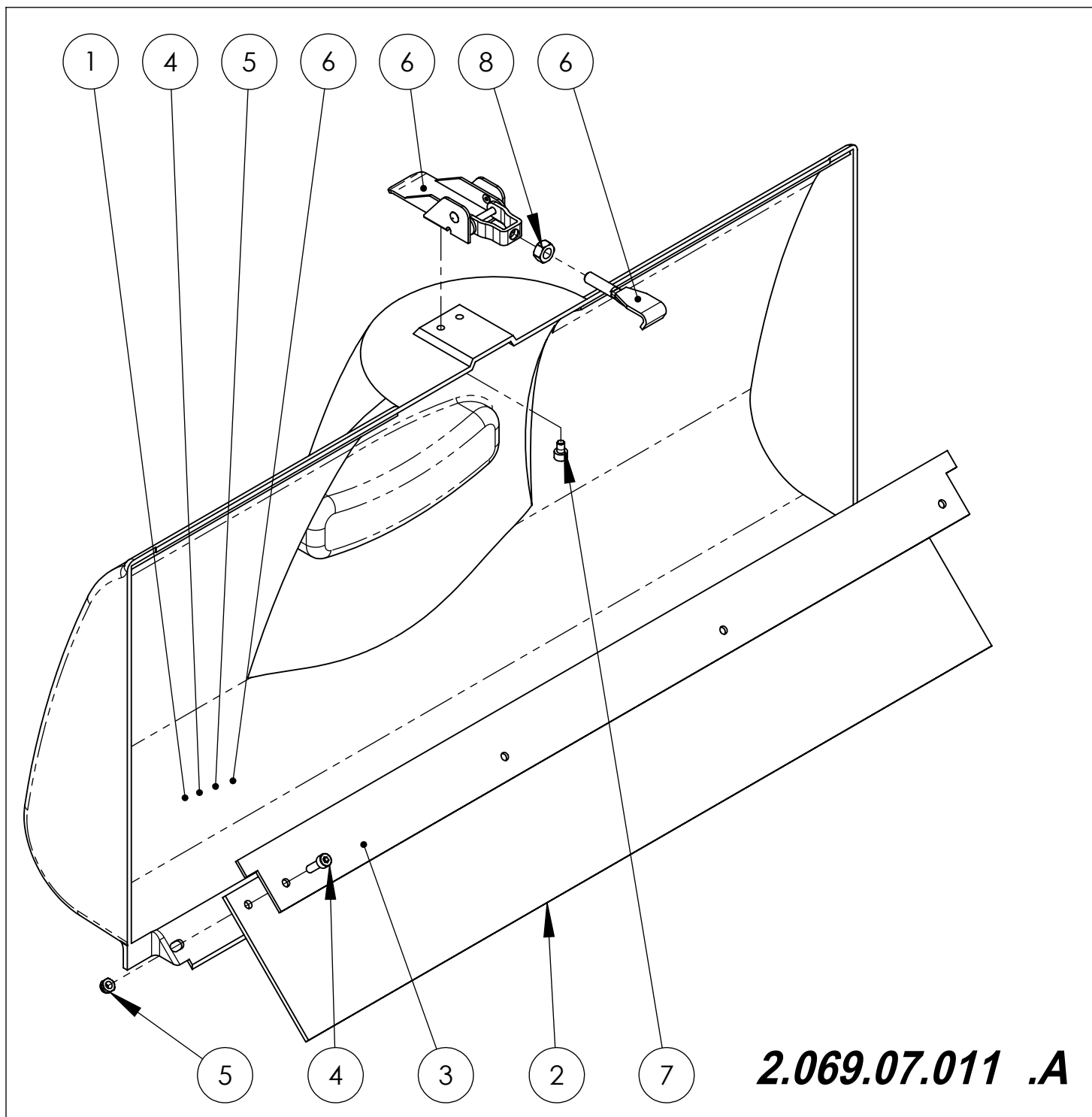


Pos.	Q.tà	Code	ITALIANO	ENGLISH	DEUTSCH	ESPAÑOL	FRANCAIS
1	2	4.065.07.001	Spazzola Laterale PPL 0.50 ø300	Side brush PPL 0.50 ø300	Seitliche Bürste PPL 0.50 ø300	Cepillo lateral PPL 0.50 ø300	Brosse latérale PPL 0.50 ø300
2	1	2.067.07.012	Spazzatrice Premontata Flash95M	Preassembled Sweeper Flash95M	Vormontierung Kehmaschine Flash95M	Preensamblado Barredora Flash95M	Préassemblé Balayeuse Flash95M
3	1	2.069.07.011	Cassetto posteriore blu Flash 950M	Back deposit blue FLASH 950M	Rückseitiger Ablagerung blau FLASH 950M	Deposito trasero azul FLASH 950M	Dépôt arrier bleu FLASH 950M
3	1	2.069.07.013	Cassetto posteriore rosso Flash 950M	Back deposit red FLASH 950M	Rückseitiger Ablagerung rot FLASH 950M	Deposito trasero rojo FLASH 950M	Dépôt arrier rouge FLASH 950M
3	1	2.069.07.014	Cassetto posteriore giallo Flash 950M	Back deposit yellow FLASH 950M	Rückseitiger Ablagerung gelb FLASH 950M	Deposito trasero amarillo FLASH 950M	Dépôt arrier jaune FLASH 950M
3	1	2.069.07.015	Cassetto posteriore verde Flash 950M	Back deposit green FLASH 950M	Rückseitiger Ablagerung grün FLASH 950M	Deposito trasero verde FLASH 950M	Dépôt arrier vert FLASH 950M
4	1	2.069.07.012	Cassetto anteriore blu Flash 950M	Front deposit blue FLASH 950M	Forderer Ablagerung blau FLASH 950M	Deposito delantero azul FLASH 950M	Dépôt avant bleu FLASH 950M
4	1	2.069.07.016	Cassetto Anteriore rosso Flash 950M	Front deposit red FLASH 950M	Forderer Ablagerung rot FLASH 950M	Deposito delantero rojo FLASH 950M	Dépôt avant rouge FLASH 950M
4	1	2.069.07.017	Cassetto Anteriore giallo Flash 950M	Front deposit yellow FLASH 950M	Forderer Ablagerung gelb FLASH 950M	Deposito delantero amarillo FLASH 950M	Dépôt avant jaune FLASH 950M
4	1	2.069.07.018	Cassetto Anteriore verde Flash 950M	Front deposit green FLASH 950M	Forderer Ablagerung grün FLASH 950M	Deposito delantero verde FLASH 950M	Dépôt avant vert FLASH 950M



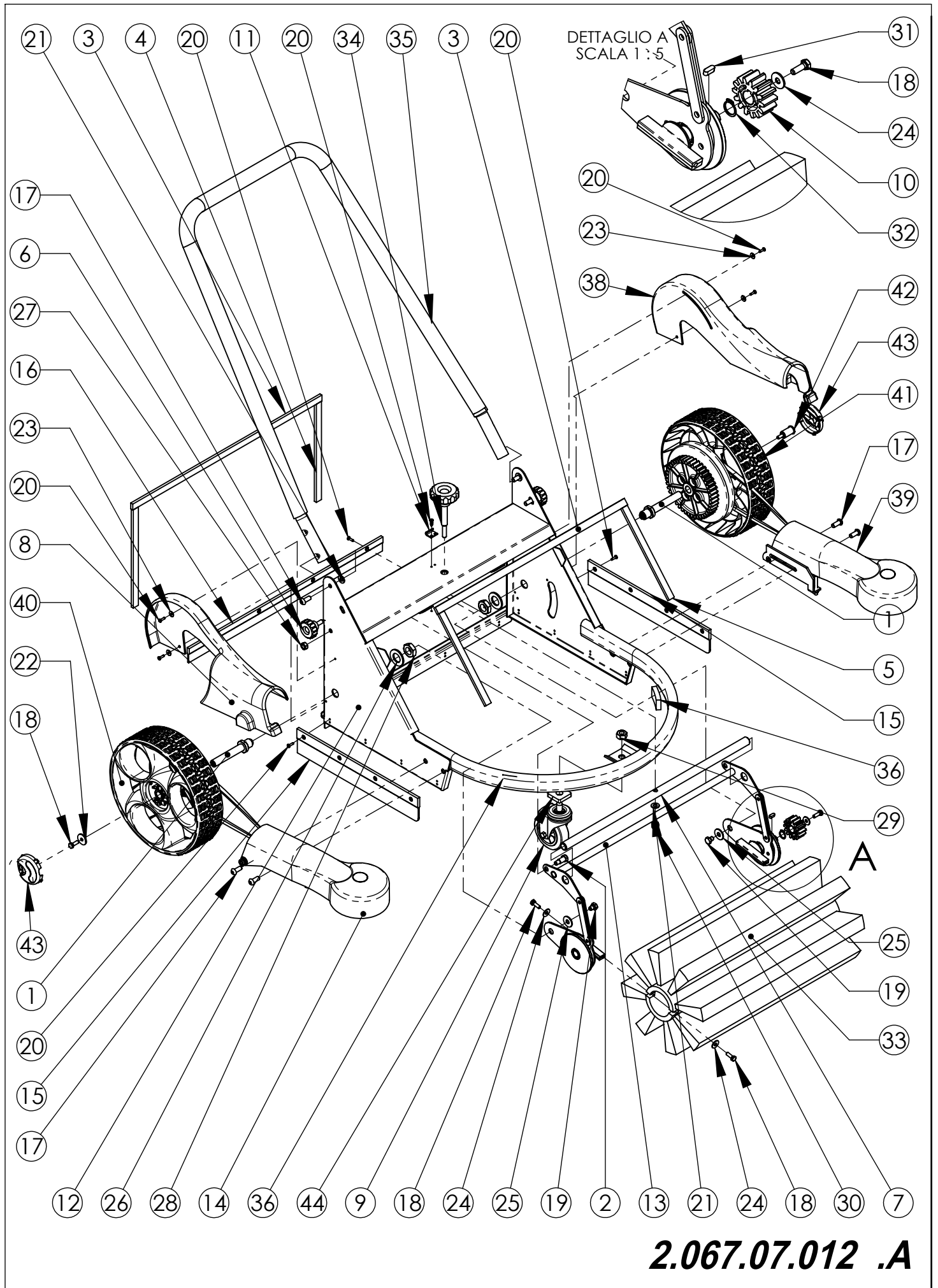
2.069.07.012 .A

Pos.	Q.tà	Code	ITALIANO	ENGLISH	DEUTSCH	ESPAÑOL	FRANCAIS
1	1	1.087.07.003	Etichetta	Label	Etikett	Etiqueta	Étiquette
2	1	1.121.07.006	Fascia Anteriore 490x75	Front band 490x75	Vorder Band 490x75	Faja Anterior 490x75	Bande Antérieure 490x75
3	1	1.138.07.005	Piastra L=490	Plate L=490	Platte L=490	Placa L=490	Plat L=490
4	1	1.141.07.003	Cassetto anteriore FLASH 650M BLU	Front deposit FLASH 650M BLU	Forderer Ablagerung FLASH 650M BLAU	Deposito delantero FLASH 650M AZUL	Dépôt avant FLASH 650M BLEU
5	1	1.141.07.005	Cassetto anteriore FLASH 650M GIALLO	Front deposit FLASH 650M YELLOW	Forderer Ablagerung FLASH 650M GELB	Deposito delantero FLASH 650M AMARILLO	Dépôt avant FLASH 650M JAUNE
6	1	1.141.07.006	Cassetto anteriore FLASH 650M ROSSO	Front deposit FLASH 650M RED	Forderer Ablagerung FLASH 650M ROT	Deposito delantero FLASH 650M ROJO	Dépôt avant FLASH 650M ROUGE
7	1	1.141.07.010	Cassetto anteriore FLASH 650M VERDE	Front deposit FLASH 650M GREEN	Forderer Ablagerung FLASH 650M GRÜN	Deposito delantero FLASH 650M VERDE	Dépôt avant FLASH 650M VERT
8	1	2.039.07.002	Volantino	Hand wheel	Handrad	Relleno	Volant
9	5	4.002.12.012	Vite M4x14 UNI5931	Screw M4x14 UNI5931	Schrauben M4x14 UNI5931	Tornillo M4x14 UNI5931	Vis M4x14 UNI5931
10	5	4.009.14.003	Dado M4 UNI7474	Nut M4 UNI7474	Mutter M4 UNI7474	Dado M4 UNI7474	Ecrou M4 UNI7474



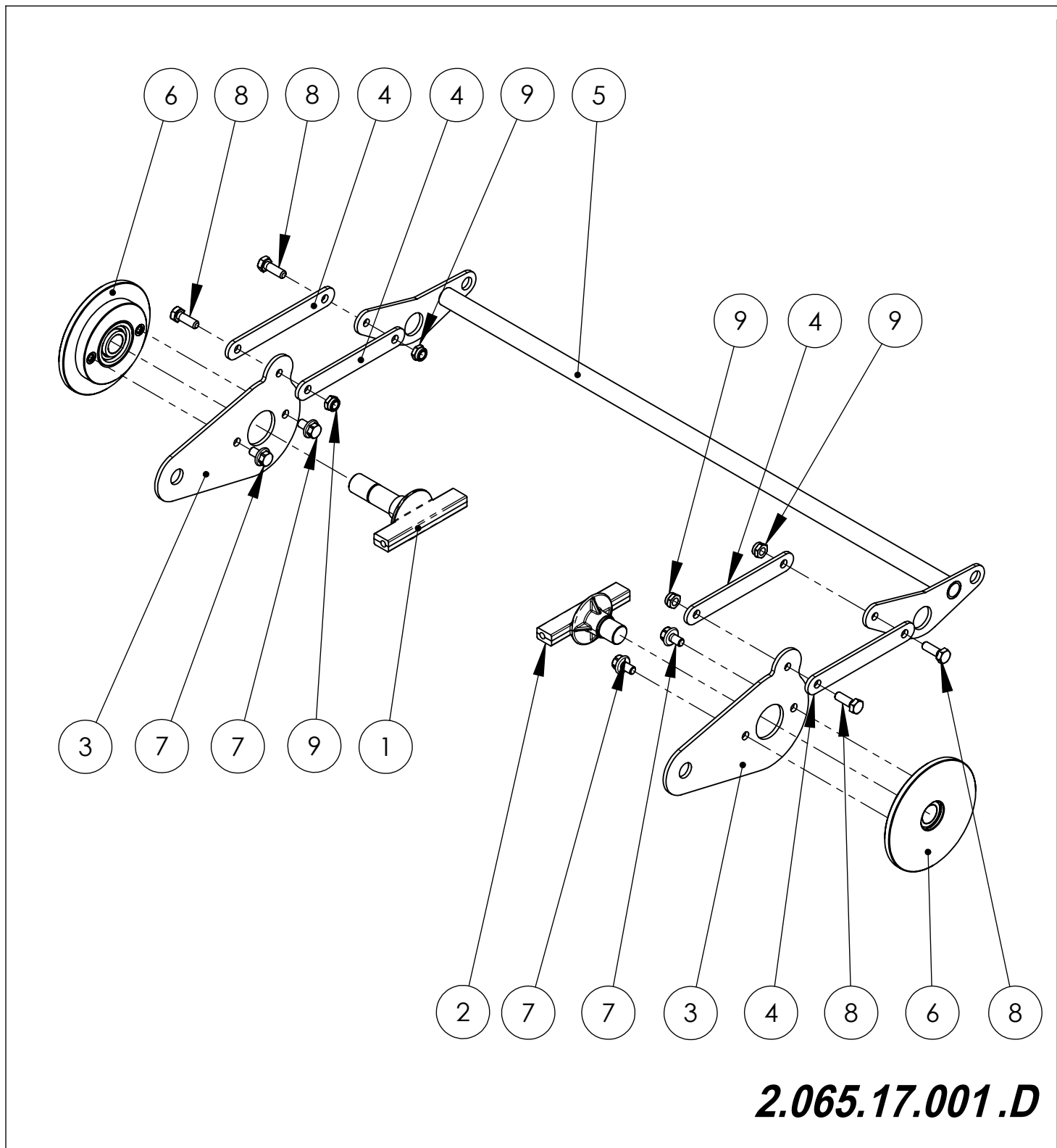
2.069.07.011 .A

Pos.	Q.tà	Code	ITALIANO	ENGLISH	DEUTSCH	ESPAÑOL	FRANCAIS
1	1	1.121.07.007	Fascia Posteriore 510x78	Back band 510x78	Hinter Band 510x78	Faja Posterior 510x78	Bande Postérieure 510x78
2	1	1.138.07.004	Piastra L=510	Plate L=510	Platte L=510	Placa L=510	Plat L=510
3	1	1.141.07.001	Cassetto FLASH 650M	Deposit FLASH 650M	Ablagerung FLASH 650M	Deposito FLASH 650M	Dépôt FLASH 650M
4		1.141.07.007	Cassetto FLASH 650M GIALLO	Deposit FLASH 650M YELLOW	Ablagerung FLASH 650M GELB	Deposito FLASH 650M AMARILLO	Deposito FLASH 650M JAUNE
5		1.141.07.008	Cassetto FLASH 650M ROSSO	Deposit FLASH 650M RED	Ablagerung FLASH 650M ROT	Deposito FLASH 650M ROJO	Deposito FLASH 650M ROUGE
6		1.141.07.011	Cassetto FLASH 650M VERDE	Deposit FLASH 650M GREEN	Ablagerung FLASH 650M GRÜN	Deposito FLASH 650M VERDE	Deposito FLASH 650M VERT
7	1	1.159.07.001	Gancio	Hook	Haken	Gancho	Crochet
8	1	4.002.12.012	Vite M4x14 UNI5931	Screw M4x14 UNI5931	Schrauben M4x14 UNI5931	Tornillo M4x14 UNI5931	Vis M4x14 UNI5931
9	2	4.002.17.007	Vite M4x6 UNI 5931	Screw M4x6 UNI 5931	Schrauben M4x6 UNI 5931	Tornillo M4x6 UNI 5931	Vis M4x6 UNI 5931
10	1	4.009.04.001	Dado M6 UNI5588	Nut M6 UNI5588-65	Mutter M6 UNI5588	Dado M6 UNI5588	Ecrou M6 UNI5588
11	1	4.009.14.003	Dado M4 UNI7474	Nut M4 UNI7474	Mutter M4 UNI7474	Dado M4 UNI7474	Ecrou M4 UNI7474

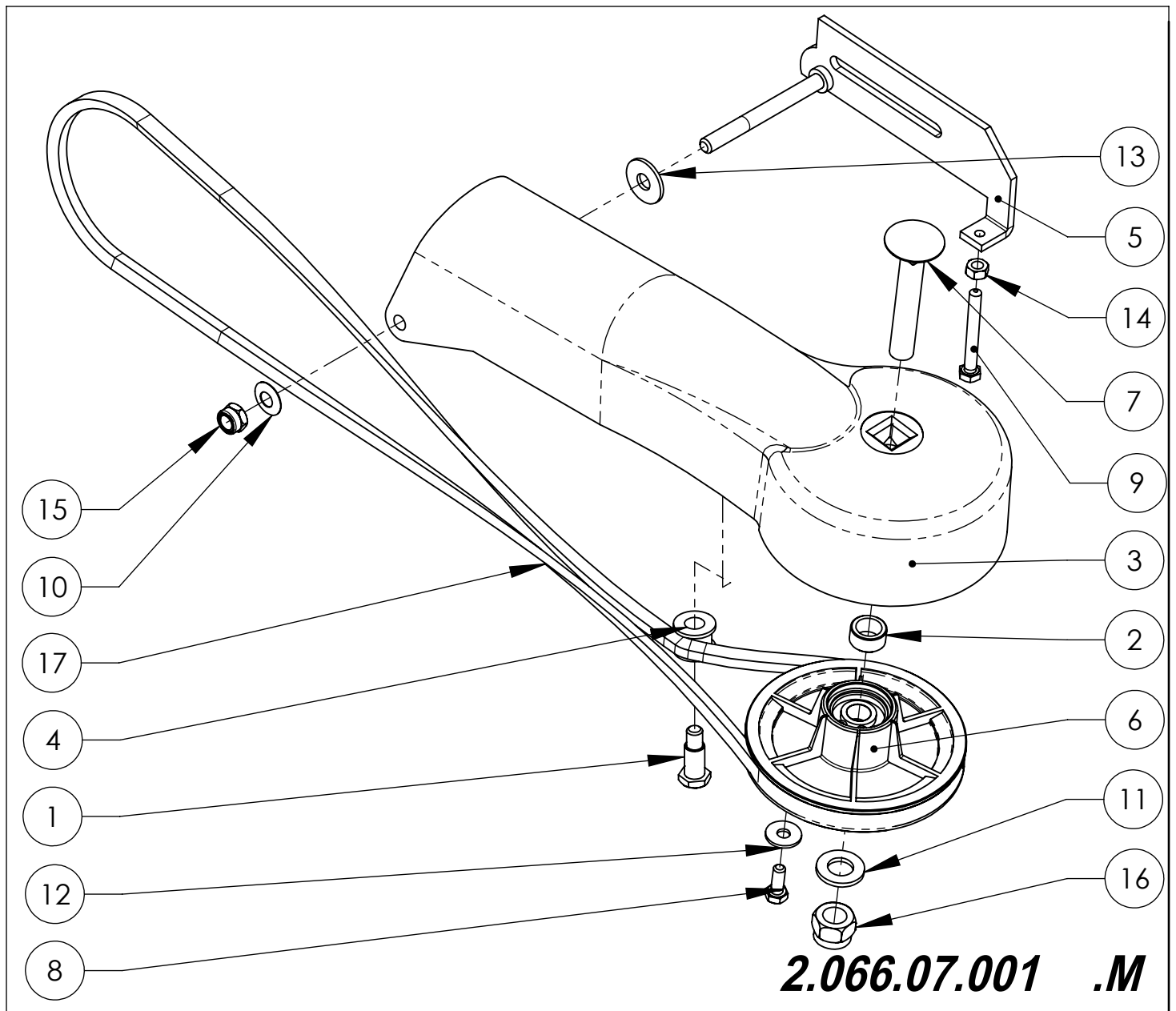


2.067.07.012 .A

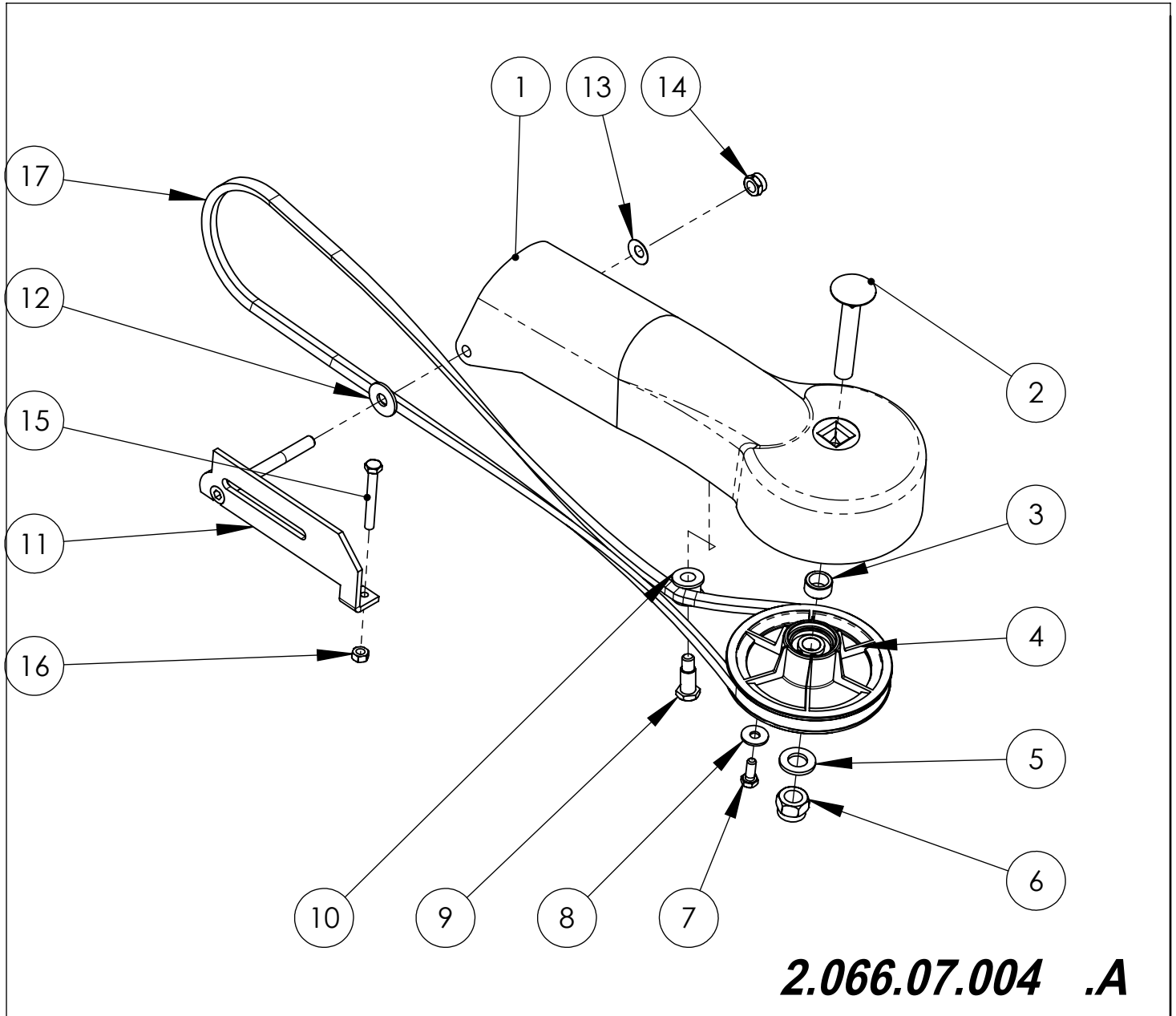
Pos.	Q.tà	Code	ITALIANO	ENGLISH	DEUTSCH	ESPAÑOL	FRANCAIS
1	2	1.002.27.003	Perno FLASH 650M	Pivot FLASH 650M	Stütze FLASH 650M	Gozne FLASH 650M	Pivot FLASH 650M
2	2	1.002.27.020	Perno	Pivot	Stütze	Gozne	Pivot
3	2	1.006.17.001	Guarnizione 15x6 L555	Gasket 15x6 L555	Dichtung 15x6 L555	Guarnición 15x6 L555	Garniture 15x6 L555
4	2	1.006.17.007	Guarnizione 15x6 L=245	Gasket 15x6 L=245	Dichtung 15x6 L=245	Guarnición 15x6 L=245	Garniture 15x6 L=245
5	2	1.006.17.008	Guarnizione 15x6 L=215	Gasket 15x6 L=215	Dichtung 15x6 L=215	Guarnición 15x6 L=215	Garniture 15x6 L=215
6	2	1.021.04.004	Manopola M8x20	Knob M8x20	Griff M8x20	Pomo M8x20	Poignée M8x20
7	1	1.044.27.001	Tubo L=540	Pipe L=540	Rohr L=540	Tubo L=540	Tuyau L=540
8	1	1.075.07.002	Carter Protezione FLASH 650M	Front Cover FLASH 650M	Frontalmantel FLASH 650M	Carter frontal FLASH 650M	Capot anterior FLASH 650M
9	1	1.086.07.002	Ruota girevole ø80	Revolving wheel ø80	Drehbares Rad ø80	Rueda giratoria ø80	Roue pivotante ø80
10	1	1.122.07.001	Pignone Z14	Pinion Z14	Ritzel Z14	Piñón Z14	Pignon Z14
11	1	1.126.07.002	Gancio	Hook	Haken	Gancho	Crochet
12	1	2.015.07.002	Telaio FLASH 650M	Frame FLASH 650M	Rahmen FLASH 650M	Estructura FLASH 650M	Chassis FLASH 650M
13	1	2.065.17.001	Bilanciere FLASH 650M	Balance wheel FLASH 650M	Schwinghebel FLASH 650M	Balancín FLASH 650M	Balancier FLASH 650M
14	1	2.066.07.001	Braccio FLASH 650M	Arm FLASH 650M	Arm FLASH 650M	Brazo FLASH 650M	Bras FLASH 650M
15	2	2.075.07.001	Fascia Laterale FLASH 650M	Side Band FLASH 650M	Seitliche Band FLASH 650M	Faja lateral FLASH 650M	Bande latérale FLASH 650M
16	1	2.075.07.002	Fascia Posteriore FLASH 650M	Back band FLASH 650M	Hinter Band FLASH 650M	Faja Posterior FLASH 650M	Bande Postérieure FLASH 650M
17	6	4.002.14.024	Vite M8x20 ISO7380	Screw M8x20 ISO7380	Schrauben M8x20 ISO7380	Tornillo M8x20 ISO7380	Vis M8x20 ISO7380
18	6	4.002.44.003	Vite M6x18 UNI5739	Screw M6x18 UNI5739	Schrauben M6x18 UNI5739	Tornillo M6x18 UNI5739	Vis M6x18 UNI5739
19	2	4.002.47.005	Vite M8x10 UNI5739	Screw M8x10 UNI5739	Schrauben M8x10 UNI5739	Tornillo M8x10 UNI5739	Vis M8x10 UNI5739
20	18	4.002.94.022	Vite autofilettante 3.5x13 B	Self-tapping Screw 3.5x13 B	Selbschneidendeschraube 3.5x13 B	Tornillo autoblocante 3.5x13 B	Vis autofiletant 3.5x13 B
21	3	4.008.04.002	Rondella M8 UNI6592	Washer M8 UNI6592	Unterlegscheibe M8 UNI6592	Arandela M8 UNI6592	Rondelle M8 UNI6592
22	1	4.008.04.003	Rondella M6 UNI6593	Washer M6 UNI6593	Unterlegscheibe M6 UNI6593	Arandela M6 UNI6593	Rondelle M6 UNI6593
23	4	4.008.07.003	Rondella ø4xø12x1	Washer ø4xø12x1	Unterlegscheibe ø4xø12x1	Arandela ø4xø12x1	Rondelle ø4xø12x1
24	5	4.008.24.001	Rondella M6 UNI6593	Washer M6 UNI6593	Unterlegscheibe M6 UNI6593	Arandela M6 UNI6593	Rondelle M6 UNI6593
25	2	4.008.24.002	Rondella ø8.5x24x2.5 6593	Washer ø8.5x24x2.5 6593	Unterlegscheibe ø8.5x24x2.5 6593	Arandela ø8.5x24x2.5 6593	Rondelle ø8.5x24x2.5 6593
26	2	4.008.24.003	Rondella M20 UNI6592	Washer M20 UNI6592	Unterlegscheibe M20 UNI6592	Arandela M20 UNI6592	Rondelle M20 UNI6592
27	2	4.009.02.002	Dado M8 UNI5588	Nut M8 UNI5588	Mutter M8 UNI5588	Dado M8 UNI5588	Ecrou M8 UNI5588
28	2	4.009.07.001	Dado M18 UNI 5589-65 ZEG	Nut M18 UNI 5589-65 ZEG	Mutter M18 UNI 5589-65 ZEG	Dado M18 UNI 5589-65 ZEG	Ecrou M18 UNI 5589-65 ZEG
29	1	4.009.07.002	Dado M12 UNI 5588-65	Nut M12 UNI 5588-65	Mutter M12 UNI 5588-65	Dado M12 UNI 5588-65	Ecrou M12 UNI 5588-65
30	1	4.009.14.001	Dado M8 UNI7473	Nut M8 UNI7473	Mutter M8 UNI7473	Dado M8 UNI7473	Ecrou M8 UNI7473
31	1	4.021.07.001	Chiavetta A 5x5x14 UNI 6604	Key A 5x5x14 UNI 6604	Keil A 5x5x14 UNI 6604	Chaveta A 5x5x14 UNI 6604	Clavette A 5x5x14 UNI 6604
32	1	4.025.07.002	Seeger A15 UNI 7435-75	Seeger A15 UNI 7435-75	Seeger A15 UNI 7435-75	Seeger A15 UNI 7435-75	Seeger A15 UNI 7435-75
33	1	4.065.07.002	Spazzola ø240x490 (8x0.4)	Brush ø240x490 (8x0.4)	Bürste ø240x490 (8x0.4)	Cepillo ø240x490 (8x0.4)	Brosse ø240x490 (8x0.4)
34	1	2.039.07.004	Manopola regolazione spazzola Flash950M	Knob adjustment brush Flash950M	Knopf Anpassung Pinsel Flash950M	Perilla de ajuste de pincel Flash950M	Bouton de réglage de brosse Flash950M
35	1	1.095.07.001	Manico	Handle	Griff	Manija	Manche
36	2	1.006.17.017	Guarnizione 50X10X25	Gasket 50X10X25	Dichtung 50X10X25	Guarnición 50X10X25	Garniture 50X10X25
38	1	1.075.07.008	Carter SX - FLASH650M-2	Guard SX - FLASH650M-2	Gehäuse SX - FLASH650M-2	Càrter SX - FLASH650M-2	Carter SX - FLASH650M-2
39	1	2.066.07.004	Braccio (SX) FLASH950M	Arm (SX) FLASH950M	Arm (SX) FLASH950M	Brazo (SX) FLASH950M	Bras (SX) FLASH950M
40	1	2.054.07.007	Ruota Flash950M	Wheel Flash950M	Rad Flash950M	Rueda Flash950M	Roue Flash950M
41	1	2.054.07.008	Ruota Flash950M	Wheel Flash950M	Rad Flash950M	Rueda Flash950M	Roue Flash950M
42	1	1.002.27.029	Perno	Pivot	Stütze	Gozne	Pivot
43	2	1.085.07.003	Coprimozzo R	Hub Cap R	Nabe Haus R	Casquillo del cubo R	Enjoliveur de roue R
44	1	1.138.07.048	Piatto	Plate	Platte	Placa	Plaque



Pos.	Q.tà	Code	ITALIANO	ENGLISH	DEUTSCH	ESPAÑOL	FRANCAIS
1	1	1.002.47.001	Perno Spazzola L=44,2 FLASH 650M	Brush Pivot FLASH 650M	BürsteStütze FLASH 650M	Gozne Cepillo FLASH 650M	Pivot Brosse FLASH 650M
2	1	1.002.47.002	Perno Spazzola L=14 FLASH 650M	Brush Pivot L= FLASH 650M	BürsteStütze L= FLASH 650M	Gozne Cepillo L= FLASH 650M	Pivot Brosse L= FLASH 650M
3	2	1.089.07.001	Staffa	Stirrup	Steigbügel	Estribo	Étrier
4	4	1.138.07.001	Supporto	Support	Halter	Soporte	Support
5	1	1.139.17.001	Bilanciere	Balance wheel	Schwinghebel	Balancin	Balancier
6	2	2.060.07.001	Flangia + SKF 6202-2RS1	Flange + SKF 6202-2RS1	Flansch + SKF 6202-2RS1	Borde + SKF 6202-2RS1	Bride + SKF 6202-2RS1
7	4	4.002.41.001	Vite M6X10 DIN6921	Screw M6X10 DIN6921	Schrauben M6X10 DIN6921	Tornillo M6X10 DIN6921	Vis M6X10 DIN6921
8	4	4.002.44.003	Vite M6x18 UNI5739	Screw M6x18 UNI5739	Schrauben M6x18 UNI5739	Tornillo M6x18 UNI5739	Vis M6x18 UNI5739
9	4	4.009.12.002	Dado M6 UNI7474	Nut M6 UNI7474	Mutter M6 UNI7474	Dado M6 UNI7474	Ecrou M6 UNI7474



Pos.	Q.tà	Code	ITALIANO	ENGLISH	DEUTSCH	ESPAÑOL	FRANCAIS
1	1	1.002.07.001	Perno M8 ø10x17	Pivot M8 ø10x17	Stütze M8 ø10x17	Gozne M8 ø10x17	Pivot M8 ø10x17
2	1	1.060.07.001	Distanziale ø13-ø18x9	Spacer ø13-ø18x9	Distanzstueck ø13-ø18x9	Distanciador ø13-ø18x9	Entretoise ø13-ø18x9
3	1	1.140.07.003	Braccio FLASH 650M	Arm FLASH 650M	Arm FLASH 650M	Brazo FLASH 650M	Bras FLASH 650M
4	1	1.143.07.002	Rullo ø17	Rolling cyl ø17	Rollen zylinder ø17	Cilindro ø17	Cylindre de roulement ø17
5	1	2.024.07.001	Supporto	Support	Halter	Soporte	Support
6	1	2.061.07.004	Puleggia Z100	Pulley Z100	Riemenscheibe Z100	Polea Z100	Poulie Z100
7	1	4.002.07.001	Vite M12x75	Screw M12x75	Schrauben M12x75	Tornillo M12x75	Vis M12x75
8	3	4.002.42.001	Vite M6x16 UNI5739	Screw M6x16 UNI5739	Schrauben M6x16 UNI5739	Tornillo M6x16 UNI5739	Vis M6x16 UNI5739
9	1	4.002.47.007	Vite M6x50 UNI5739	Screw M6x50 UNI5739	Schrauben M6x50 UNI5739	Tornillo M6x50 UNI5739	Vis M6x50 UNI5739
10	1	4.003.11.001	Rondella di sicurezza 16x8.2x0.4	Safety washer 16x8.2x0.4	Sicherheits Scheibe 16x8.2x0.4	Arandela de seguridad 16x8.2x0.4	Rondelle de sûreté 16x8.2x0.4
11	1	4.008.07.001	Rondella M12 UNI6592	Washer M12 UNI6592	Unterlegscheibe M12 UNI6592	Arandela M12 UNI6592	Rondelle M12 UNI6592
12	3	4.008.24.001	Rondella M6 UNI6593	Washer M6 UNI6593	Unterlegscheibe M6 UNI6593	Arandela M6 UNI6593	Rondelle M6 UNI6593
13	1	4.008.24.002	Rondella ø8.5x24x2.5 6593	Washer ø8.5x24x2.5 6593	Unterlegscheibe ø8.5x24x2.5 6593	Arandela ø8.5x24x2.5 6593	Rondelle ø8.5x24x2.5 6593
14	1	4.009.04.001	Dado M6 UNI5588	Nut M6 UNI5588-65	Mutter M6 UNI5588	Dado M6 UNI5588	Ecrou M6 UNI5588
15	1	4.009.12.001	Dado M8 UNI7474	Nut M8 UNI7474	Mutter M8 UNI7474	Dado M8 UNI7474	Ecrou M8 UNI7474
16	1	4.009.17.002	Dado M12 UNI7473	Nut M12 UNI7473	Mutter M12 UNI7473	Dado M12 UNI7473	Ecrou M12 UNI7473
17	1	4.066.07.001	Cinghia Z-55 10x1400	Belt Z-55 10x1400	Riemen Z-55 10x1400	Correa Z-55 10x1400	Courroie Z-55 10x1400



Pos.	Defa ult/Q nta	Code	ITALIANO	ENGLISH	DEUTSCH	ESPAÑOL	FRANCAIS
1	1	1.140.07.003	Braccio FLASH 650M	Arm FLASH 650M	Arm FLASH 650M	Brazo FLASH 650M	Bras FLASH 650M
2	1	4.002.07.001	Vite M12x75	Screw M12x75	Schrauben M12x75	Tornillo M12x75	Vis M12x75
3	1	1.060.07.001	Distanziale ø13-ø18x9	Spacer ø13-ø18x9	Distanzstueck ø13- ø18x9	Distanciador ø13-ø18x9	Entretoise ø13-ø18x9
4	1	2.061.07.004	Puleggia Z100	Pulley Z100	Riemenscheibe Z100	Polea Z100	Poulie Z100
5	1	4.008.07.001	Rondella M12 UNI6592	Washer M12 UNI6592	Unterlegscheibe M12 UNI6592	Arandela M12 UNI6592	Rondelle M12 UNI6592
6	1	4.009.17.002	Dado M12 UNI7473	Nut M12 UNI7473	Mutter M12 UNI7473	Dado M12 UNI7473	Ecrou M12 UNI7473
7	3	4.002.42.001	Vite M6x16 UNI5739	Screw M6x16 UNI5739	Schrauben M6x16 UNI5739	Tornillo M6x16 UNI5739	Vis M6x16 UNI5739
8	3	4.008.24.001	Rondella M6 UNI6593	Washer M6 UNI6593	Unterlegscheibe M6 UNI6593	Arandela M6 UNI6593	Rondelle M6 UNI6593
9	1	1.002.07.001	Perno M8 ø10x17	Pivot M8 ø10x17	Stütze M8 ø10x17	Gozne M8 ø10x17	Pivot M8 ø10x17
10	1	1.143.07.002	Rullo ø17	Rolling cyl ø17	Rollen zylinder ø17	Cilindro ø17	Cylindre de roulement ø17
11	1	2.024.07.011	Supporto (sx) FLASH950M	Support (sx) FLASH950M	Halter (sx) FLASH950M	Soporte (sx) FLASH950M	Support (sx) FLASH950M
12	1	4.008.24.002	Rondella ø8.5x24x2.5 6593	Washer ø8.5x24x2.5 6593	Unterlegscheibe ø8.5x24x2.5 6593	Arandela ø8.5x24x2.5 6593	Rondelle ø8.5x24x2.5 6593
13	1	4.003.11.001	Rondella di sicurezza 16x8.2x0.4	Safety washer 16x8.2x0.4	Sicherheits Scheibe 16x8.2x0.4	Arandela de seguridad 16x8.2x0.4	Rondelle de sûreté 16x8.2x0.4
14	1	4.009.12.001	Dado M8 UNI7474	Nut M8 UNI7474	Mutter M8 UNI7474	Dado M8 UNI7474	Ecrou M8 UNI7474
15	1	4.002.47.007	Vite M6x50 UNI5739	Screw M6x50 UNI5739	Schrauben M6x50 UNI5739	Tornillo M6x50 UNI5739	Vis M6x50 UNI5739
16	1	4.009.04.001	Dado M6 UNI5588	Nut M6 UNI5588-65	Mutter M6 UNI5588	Dado M6 UNI5588	Ecrou M6 UNI5588
17	1	4.066.07.001	Cinghia Z-55 10x1400	Belt Z-55 10x1400	Riemen Z-55 10x1400	Correa Z-55 10x1400	Courroie Z-55 10x1400



KRÜGER TECHNOLOGY S.L.
B-82526583
Polígono Agustinos C/G Parcela B2
31013 Pamplona (Navarra) - ESPAÑA
+34 948 343 393 - info@kruger.es - www.kruger.es