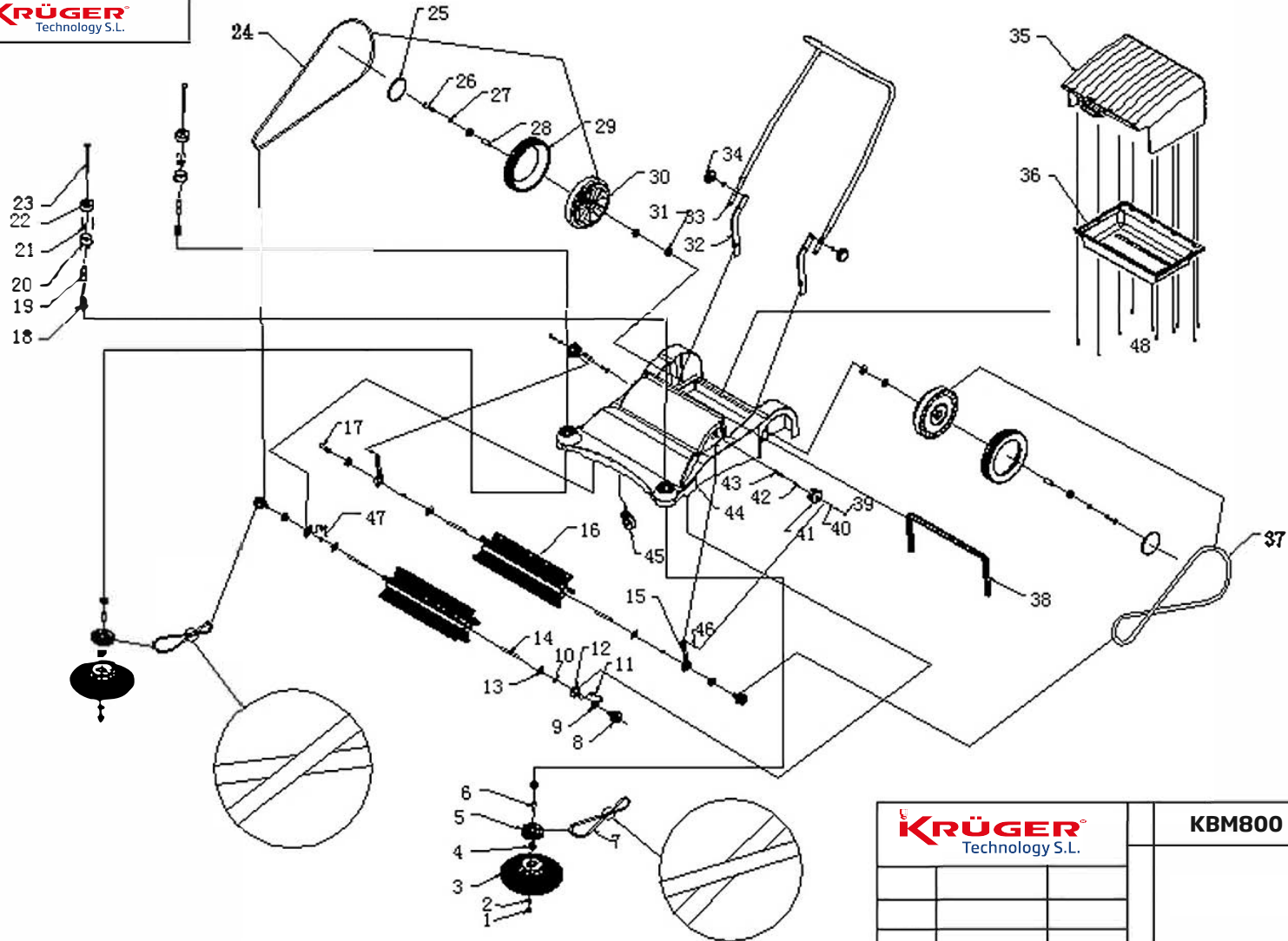




DESPIECE TÉCNICO
BARREDORA

KBM800





No.	Code	Accessories	Unit	Type
1	XJ-001	Screw	2	M8
2	XJ-002	Mat circle	2	M8
3	XJ-003	Ante-brush	2	
4	XJ-004	Bearing	4	Inner-diameter12
5	XJ-005	Pulley	2	
6	XJ-006	Copper covering	2	Outer-
7	XJ-007	Bult	2	Diameter 12
8	XJ-008	Pulley	3	
9	XJ-009	Bearing	8	Inner-diameter14
10	XJ-010		4	GB895.2-86-14
11	XJ-011	Pedestal	2	Thickness1.5
12	XJ-012	Bearing frame	2	
13	XJ-013	Wiggle panel	4	
14	XJ-014	Pin	4	Diameter8×98
15	XJ-015	Bearing frame-1	2	
16	XJ-016	Column brush	2	
17	XJ-017	Lever	1	
18	XJ-018	Spring	2	Inner-
19	XJ-019	Setting axle	2	
20	XJ-020	Setting plate	2	
21	XJ-021	Screw	20	ST3.5×20
22	XJ-022	Handle wheel	2	
23	XJ-023	bolt	2	GB14-88 M8×132
24	XJ-024	Column brush	1	Diameter6
25	XJ-025	Lid	2	
26	XJ-026	Hexangular	2	M10×55
27	XJ-027	Spring mat	2	(M10)
28	XJ-028	Copper sleeve	2	Outer-
29	XJ-029	Outer-tire	2	
30	XJ-030	Driving wheel	2	
31	XJ-031	Mat circle	2	GB96-85(M5)
32	XJ-032	Handle plate	2	Thickness5
33	XJ-033	Handle	1	9×1.5
34	XJ-034	Handle-wheel	2	
35	XJ-035	Dirt box cover	1	
36	XJ-036	Dirt box	1	
37	XJ-037	Driving wheel	1	Diameter6
38	XJ-038	Seal stripe	1	795mm
39	XJ-039	Screw	2	M5
40	XJ-040	Mat	2	GB96-85(M5)
41	XJ-041	Mid-setting	2	
42	XJ-042	Insulation sleeve	2	Outer-diameter8
43	XJ-043	Bolt	2	GB14-88 M5×35
44	XJ-044	Frame	1	
45	XJ-045	Wheel	1	Height63
46	XJ-046	pin	2	Diameter5×12
47	XJ-047	Cross Bolt	2	ST3.5×25
48	XJ-048	Cross Bolt	10	ST3.5×25



KRÜGER TECHNOLOGY S.L.
B-82526583
Polígono Agustinos C/G Parcela B2
31013 Pamplona (Navarra) - ESPAÑA
+34 948 343 393 - info@kruger.es - www.kruger.es